



US00D859737S

(12) **United States Design Patent** (10) **Patent No.:** **US D859,737 S**
Lorenz et al. (45) **Date of Patent:** **** Sep. 10, 2019**

(54) **EYELINER APPLICATOR**
(71) Applicant: **VampStamp, LLC**, Los Angeles, CA (US)
(72) Inventors: **Veronica B. Lorenz**, Los Angeles, CA (US); **John von Buelow**, Oak Park, CA (US)
(73) Assignee: **VAMPSTAMP, LLC**, Los Angeles, CA (US)

(**) Term: **15 Years**

(21) Appl. No.: **29/638,160**

(22) Filed: **Feb. 24, 2018**

(51) **LOC (12) Cl.** **28-02**

(52) **U.S. Cl.**
USPC **D28/7**

(58) **Field of Classification Search**
USPC D28/7, 8, 20-22, 30, 31, 76, 82, 85, 99;
D4/132-135; D24/119, 132
CPC A45D 34/04; A45D 34/041; A45D 34/042;
A46B 5/0008; A46B 5/002; A46B
5/0054; A46B 5/0075; A46B 5/0079;
A41G 3/0041; A41G 3/0083

See application file for complete search history.

(56) **References Cited**

U.S. PATENT DOCUMENTS

D448,521 S * 9/2001 Angeletta D28/7
D462,480 S * 9/2002 Jones D28/7
D681,196 S * 4/2013 Henrikson D24/115
D683,071 S 5/2013 Lorenz
D707,393 S 6/2014 Lorenz
D746,513 S * 12/2015 Monical D28/7

D780,307 S * 2/2017 Mingione D24/119
D804,020 S * 11/2017 Hashimoto D24/114
D806,315 S * 12/2017 Hardwick D28/7
D812,296 S 3/2018 Lorenz
D819,265 S * 5/2018 Crane D28/7
D832,507 S * 10/2018 Lorenz D28/7
2006/0269355 A1* 11/2006 Kaufman A61M 35/006
401/207
2009/0241280 A1* 10/2009 Pho A47L 13/256
15/209.1
2017/0156473 A1* 6/2017 Grund A45D 40/24

OTHER PUBLICATIONS

Pending, U.S. Appl. No. 29/623,987, Lorenz.

* cited by examiner

Primary Examiner — Susan Bennett Hattan

Assistant Examiner — Rebecca Tsehaye

(74) *Attorney, Agent, or Firm* — Chiesa Shahinian & Giantomasi PC

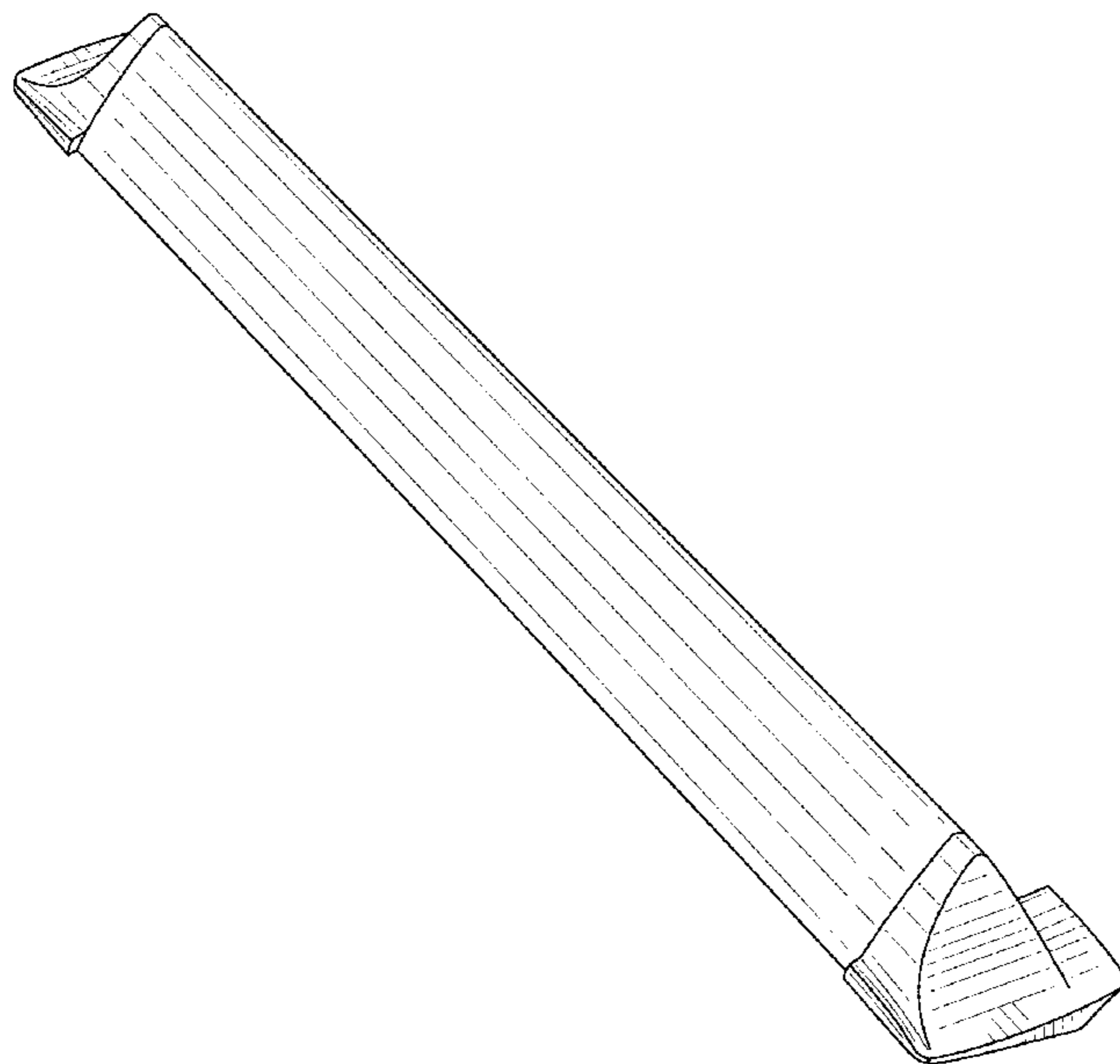
(57) **CLAIM**

The ornamental design for an eyeliner applicator, as shown, and described.

DESCRIPTION

FIG. 1 is a top perspective view of our new design;
FIG. 2 is a top view of FIG. 1;
FIG. 3 is a front view of our design shown in FIG. 1;
FIG. 4 is a bottom view of FIG. 1;
FIG. 5 is a rear view of FIG. 1;
FIG. 6 is a right side elevational view of FIG. 1;
FIG. 7 is a left side elevational view of FIG. 1; and,
FIG. 8 is a bottom perspective view of our design shown in FIG. 1.

1 Claim, 4 Drawing Sheets



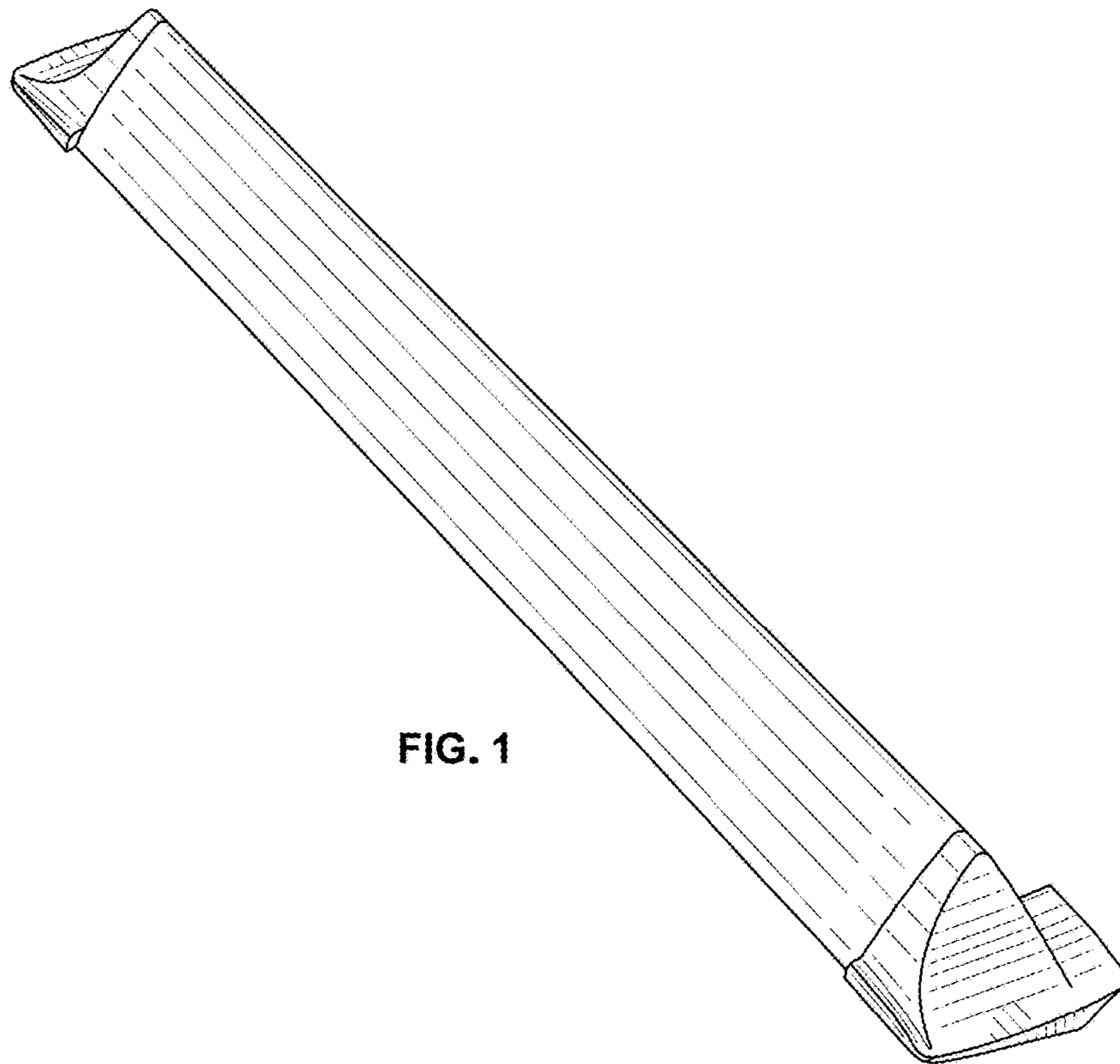


FIG. 1

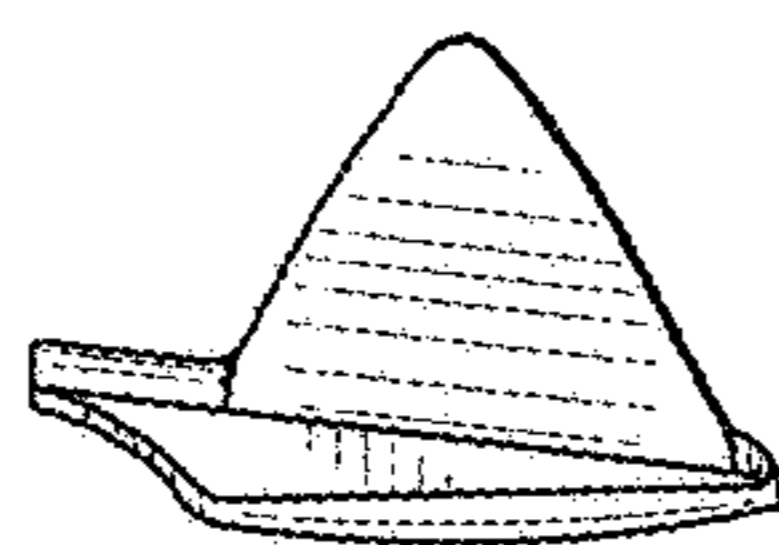


FIG. 6

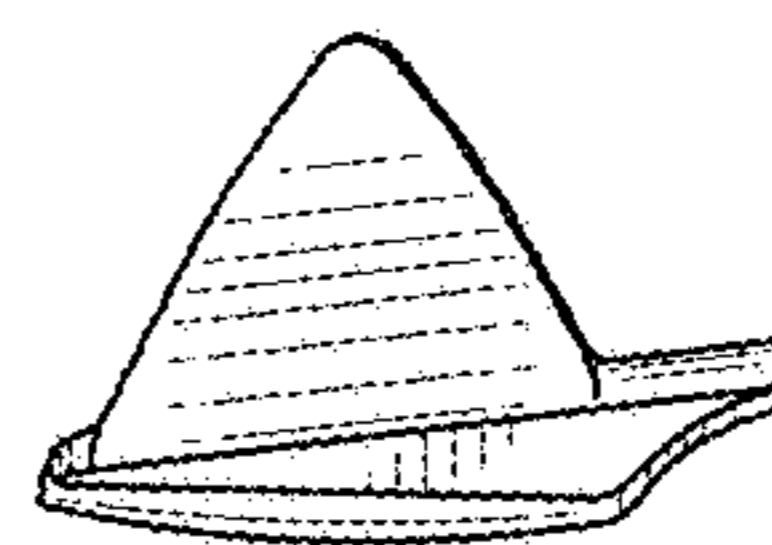


FIG. 7

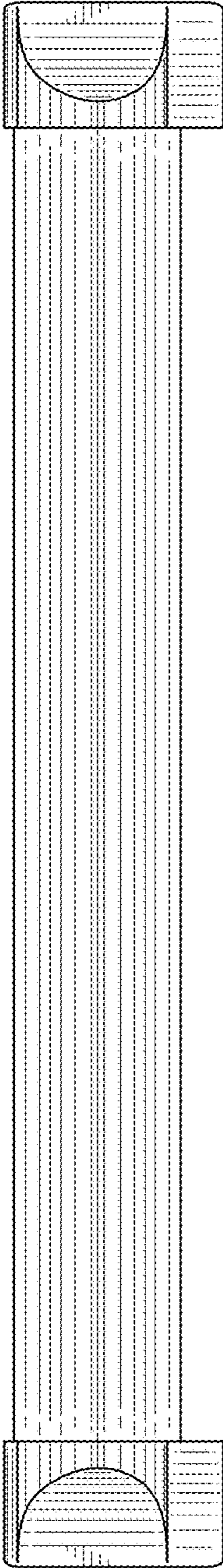


FIG. 2

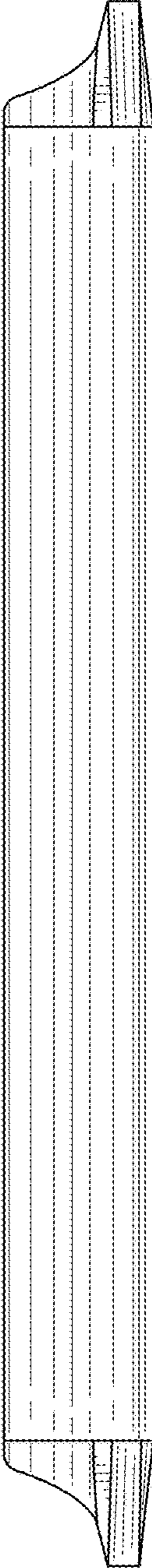


FIG. 3

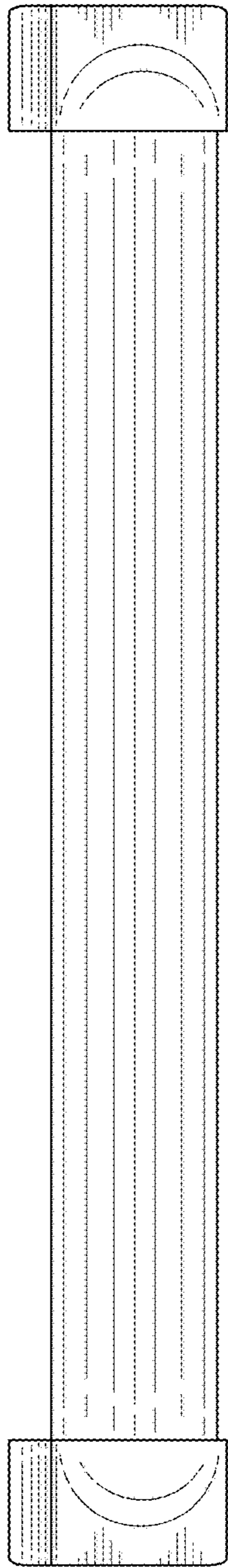


FIG. 4

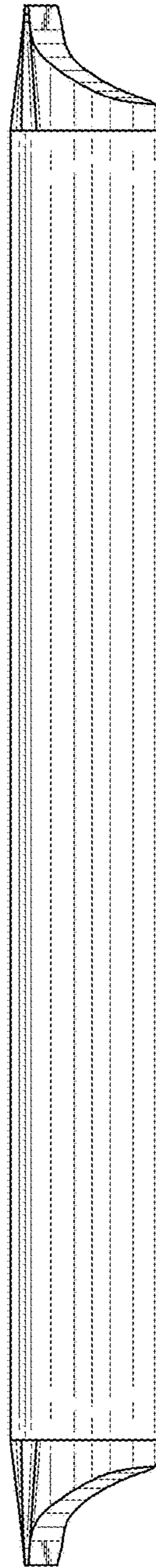


FIG. 5

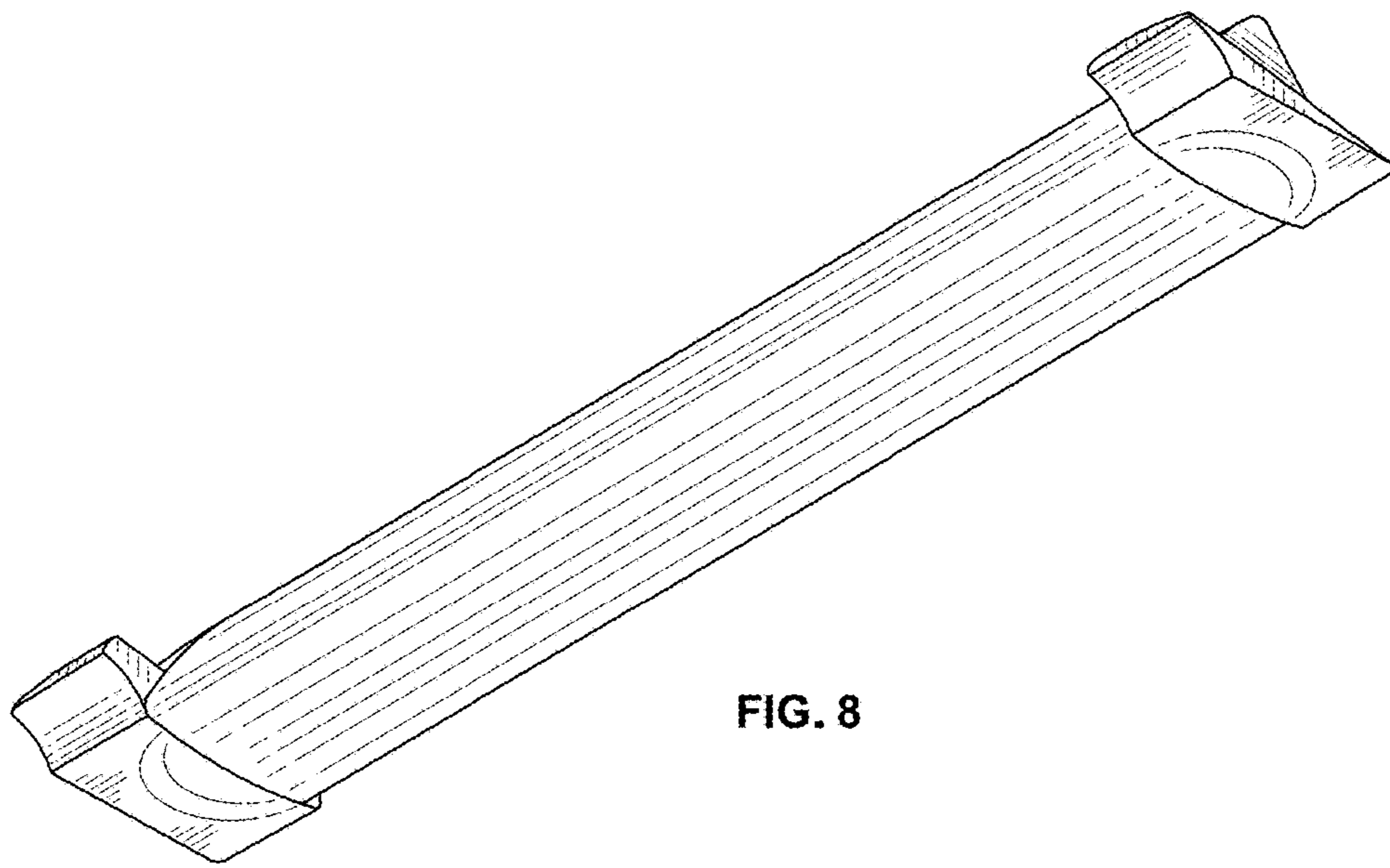


FIG. 8