



US00D859736S

(12) **United States Design Patent** (10) **Patent No.:** **US D859,736 S**  
**Sudlow** (45) **Date of Patent:** **\*\* \*Sep. 10, 2019**

(54) **CONTAINER FOR HOLDING LIQUID FOR REFILLING AN E-CIGARETTE DEVICE**

(71) Applicant: **NERUDIA LTD.**, Liverpool (GB)

(72) Inventor: **Thomas Sudlow**, Liverpool (GB)

(73) Assignee: **Nerudia Limited**, Liverpool (GB)

(\* ) Notice: This patent is subject to a terminal disclaimer.

(\*\* ) Term: **15 Years**

(21) Appl. No.: **29/576,760**

(22) Filed: **Sep. 7, 2016**

(30) **Foreign Application Priority Data**

Aug. 4, 2016 (EM) ..... 003330976

(51) **LOC (12) Cl.** ..... **27-99**

(52) **U.S. Cl.**  
USPC ..... **D27/194**

(58) **Field of Classification Search**  
USPC ..... D27/100, 101, 162-171, 194, 172;  
D24/108, 110, 110.5  
CPC ..... A24F 1/00; A24F 1/02; A24F 1/04; A24F  
1/06; A24F 1/08; A24F 1/10; A24F 1/12;  
A24F 1/14; A24F 1/26; A24F 1/28; A24F  
7/00; A24F 7/02; A24F 7/04  
See application file for complete search history.

(56) **References Cited**

**U.S. PATENT DOCUMENTS**

D252,133 S 6/1979 Fitzgerald  
D318,294 S 7/1991 Cho-Kai  
D325,931 S 5/1992 Sekiguchi  
5,970,990 A 10/1999 Dunton  
D483,262 S 12/2003 Carter  
D483,263 S 12/2003 Carter

D548,789 S 8/2007 Ternovits  
D565,658 S 4/2008 Sato  
D572,307 S 7/2008 Qiu  
D572,308 S 7/2008 Bhavnani  
D589,091 S 3/2009 Ikeda  
D590,988 S 4/2009 Hon

(Continued)

**OTHER PUBLICATIONS**

Vials by WorldWide Glass Resource, dated 2014, found online [Apr. 10, 2108] <http://wwglassresource.com/products-chromatography-vials-13-425.php>, 6 pages.

(Continued)

*Primary Examiner* — Marissa J Cash

(74) *Attorney, Agent, or Firm* — Sheppard Mullin Richter & Hampton LLP

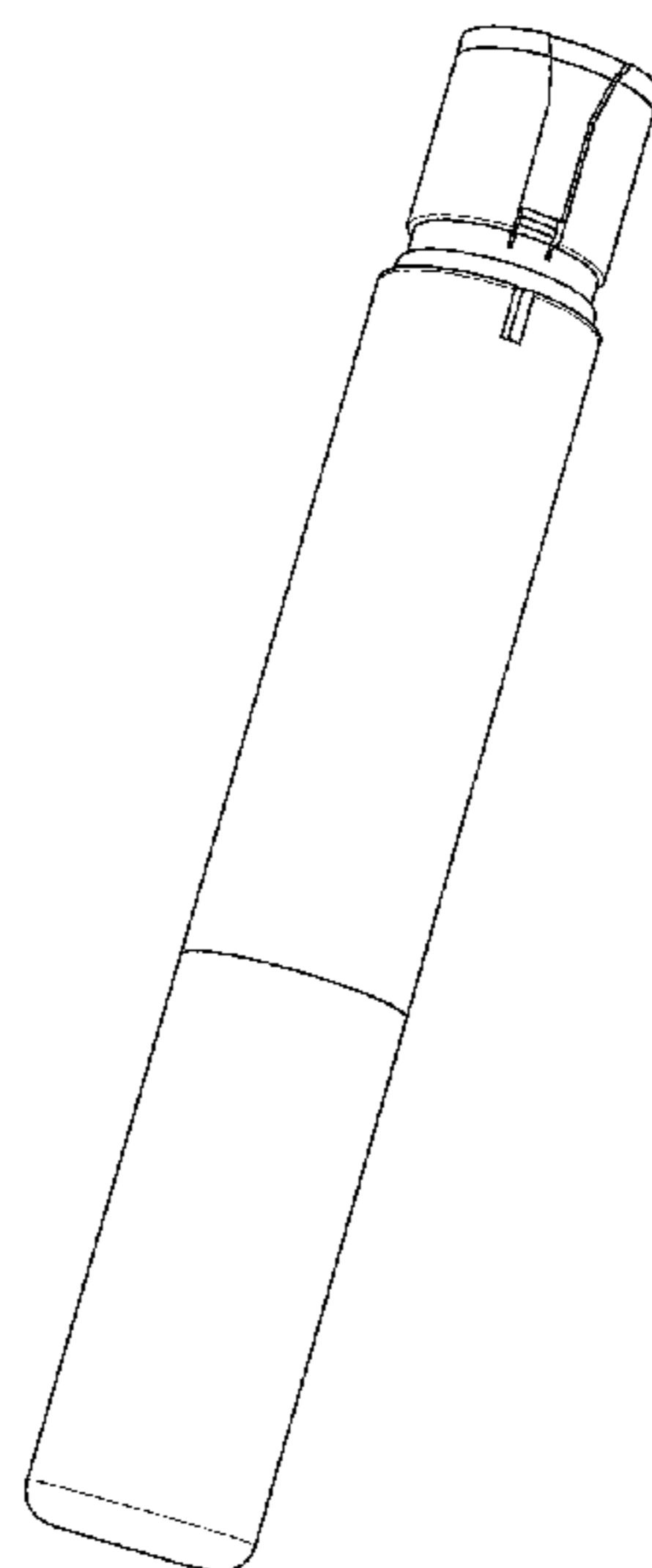
(57) **CLAIM**

The ornamental design for a container for holding liquid for refilling an E-cigarette device, as shown and described.

**DESCRIPTION**

FIG. 1 is a perspective view of a container for holding liquid for refilling an E-cigarette device, showing my new design. FIG. 2 is top perspective side view thereof. FIG. 3 is top plan view thereof, shown enlarged for clarity of disclosure. FIG. 4 is bottom plan view thereof; and, FIG. 5 is a right side elevation view of FIG. 1, where left side view is a mirror image thereof. The broken lines in FIGS. 2 and 3 depict environmental subject matter that forms no part of the claimed design. In the drawings, the evenly-spaced broken lines depict portions of the container for holding liquid for refilling an E-cigarette device forms no part of the claim; the dash-dot-dash lines represent boundaries of the claimed design and form no part thereof.

**1 Claim, 5 Drawing Sheets**



(56)

References Cited

U.S. PATENT DOCUMENTS

D590,989 S 4/2009 Hon  
 D590,990 S 4/2009 Hon  
 D607,052 S 12/2009 Siegel  
 D613,160 S 4/2010 Ablo  
 D617,050 S 6/2010 Lou  
 D632,014 S 2/2011 Lee  
 D646,431 S 10/2011 Awty  
 D651,338 S 12/2011 Awty  
 D683,897 S \* 6/2013 Liu ..... D27/170  
 D684,311 S \* 6/2013 Liu ..... D27/101  
 D687,181 S 7/2013 Goch  
 D695,449 S 12/2013 Tucker  
 D702,876 S 4/2014 Liu  
 D703,060 S 4/2014 Okulla  
 D704,065 S 5/2014 De Lima Paschoal  
 D720,499 S \* 12/2014 Alima ..... D27/167  
 D725,706 S 3/2015 Jiang  
 D747,547 S \* 1/2016 Liu ..... D27/101  
 D747,548 S 1/2016 Mayor  
 D749,261 S 2/2016 Chen  
 D750,834 S 3/2016 Wei  
 D750,835 S 3/2016 Wei  
 D752,279 S 3/2016 Liu  
 D755,440 S 5/2016 Collen  
 D756,031 S 5/2016 Wu  
 D757,353 S 5/2016 Nunnelly  
 D758,650 S 6/2016 Wu  
 D760,947 S 7/2016 Hearn  
 D760,948 S 7/2016 Eksouzian  
 D761,998 S 7/2016 Pinder  
 D765,307 S 8/2016 Liu  
 D765,308 S 8/2016 Liu  
 D765,309 S 8/2016 Liu  
 D765,907 S 9/2016 Liu  
 D767,822 S \* 9/2016 Jordan ..... D27/194  
 D768,915 S 10/2016 Wright  
 D769,519 S 10/2016 Chen  
 D770,087 S 10/2016 Di Bari  
 D773,727 S 12/2016 Eksouzian  
 D774,247 S 12/2016 Chen  
 D776,867 S \* 1/2017 Rado ..... D27/162  
 D776,868 S \* 1/2017 Rado ..... D27/162  
 D776,869 S 1/2017 Heidl  
 D778,492 S 2/2017 Liu  
 D779,719 S 2/2017 Qiu  
 D782,729 S \* 3/2017 Wright ..... D27/101  
 D784,609 S 4/2017 Liu  
 D785,859 S \* 5/2017 Pang ..... D27/101  
 D787,114 S \* 5/2017 Scott ..... D27/194  
 D797,369 S 9/2017 Yamada  
 D799,108 S 10/2017 Meyer  
 D803,475 S 11/2017 Scheiber  
 D804,090 S 11/2017 Verleur  
 D804,091 S 11/2017 Fornarelli  
 D806,942 S 1/2018 Qui  
 D808,580 S 1/2018 Kwitel  
 D809,189 S 1/2018 Liu  
 D809,705 S 2/2018 Mironov  
 D823,534 S 7/2018 Chen  
 D827,152 S \* 8/2018 Ou ..... D24/224  
 D827,196 S \* 8/2018 Sudlow ..... D27/172  
 D829,369 S \* 9/2018 Stone ..... D27/101

D829,976 S \* 10/2018 Stone ..... D27/101  
 D832,503 S \* 10/2018 Blanding ..... D27/163  
 D833,064 S 11/2018 Verleur  
 D834,743 S \* 11/2018 Tucker ..... D27/101  
 D841,469 S 2/2019 Christianson  
 D843,648 S \* 3/2019 Santos ..... D27/162  
 2004/0154630 A1 8/2004 Tabuchi  
 2011/0277760 A1 11/2011 Terry  
 2012/0318283 A1 12/2012 Watanabe  
 2013/0146074 A1 6/2013 Virga  
 2014/0020696 A1 1/2014 Liu  
 2014/0034070 A1 2/2014 Schennum  
 2014/0076310 A1 3/2014 Newton  
 2014/0150785 A1 6/2014 Malik  
 2014/0283859 A1 9/2014 Minskoff  
 2014/0355969 A1 12/2014 Stern  
 2015/0027465 A1 1/2015 Liu  
 2015/0034104 A1 2/2015 Zhou  
 2015/0083145 A1 3/2015 Li  
 2015/0164141 A1 6/2015 Newton  
 2015/0245654 A1 9/2015 Memari  
 2015/0296884 A1 10/2015 Liu  
 2015/0296889 A1 \* 10/2015 Liu ..... A24F 47/008  
 131/329  
 2015/0320114 A1 11/2015 Wu  
 2015/0328415 A1 11/2015 Minskoff  
 2015/0332379 A1 11/2015 Alarcon  
 2015/0335072 A1 \* 11/2015 Giller ..... F21V 33/0004  
 131/328  
 2015/0335073 A1 11/2015 Li  
 2015/0374036 A1 12/2015 Suzuki  
 2016/0007650 A1 1/2016 Duncan  
 2016/0073694 A1 3/2016 Liu  
 2016/0144458 A1 5/2016 Boldrini  
 2016/0242463 A1 8/2016 Liu  
 2016/0286865 A1 10/2016 King  
 2016/0338405 A1 11/2016 Liu  
 2016/0338406 A1 11/2016 Liu  
 2017/0013876 A1 1/2017 Schennum  
 2017/0013880 A1 1/2017 O'Brien  
 2017/0020191 A1 1/2017 Lamb  
 2017/0020196 A1 1/2017 Cameron  
 2017/0071258 A1 3/2017 Li  
 2017/0135398 A1 5/2017 Scott  
 2017/0143040 A1 5/2017 Liu  
 2017/0150754 A1 6/2017 Lin  
 2018/0029866 A1 2/2018 Scott  
 2018/0029867 A1 2/2018 Biel

OTHER PUBLICATIONS

Sample Vials for Agar by Medix, dated 2014, found online [Apr. 10, 2018] [http://www.medixcorp.com/catalog/detail.asp?Item\\_id=9538](http://www.medixcorp.com/catalog/detail.asp?Item_id=9538), 6 pages.  
 6-pack of Clear Glass Sample Storage by Amazon, dated Mar. 21, 2016, found online [Apr. 10, 2018] [https://www.amazon.com/6-Pack-Storage-Cosmetic-Specimen-Container/product-reviews/B01AX7B2LA/ref=cm\\_cr\\_getr\\_d\\_paging\\_btm\\_2?ie=UTF8&reviewerType=all\\_reviews&sortBy=recent&pageNumber=2](https://www.amazon.com/6-Pack-Storage-Cosmetic-Specimen-Container/product-reviews/B01AX7B2LA/ref=cm_cr_getr_d_paging_btm_2?ie=UTF8&reviewerType=all_reviews&sortBy=recent&pageNumber=2), 21 pages.  
 Vials of WorldWide Glass Resource, dated 2014, found online [Apr. 10, 2018] <http://wwglassresource.com/products-chromatography-vials-13-425.php>, 2 pages.

\* cited by examiner

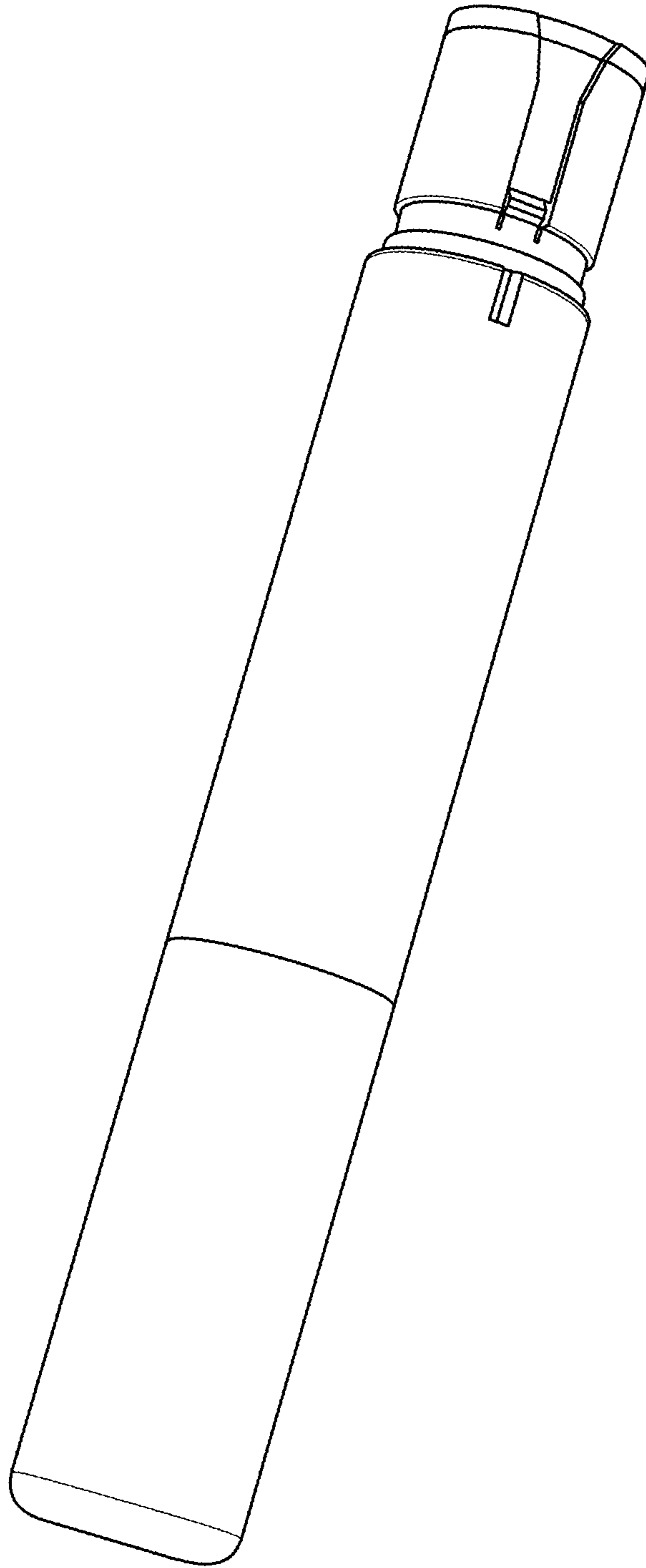


FIG. 1

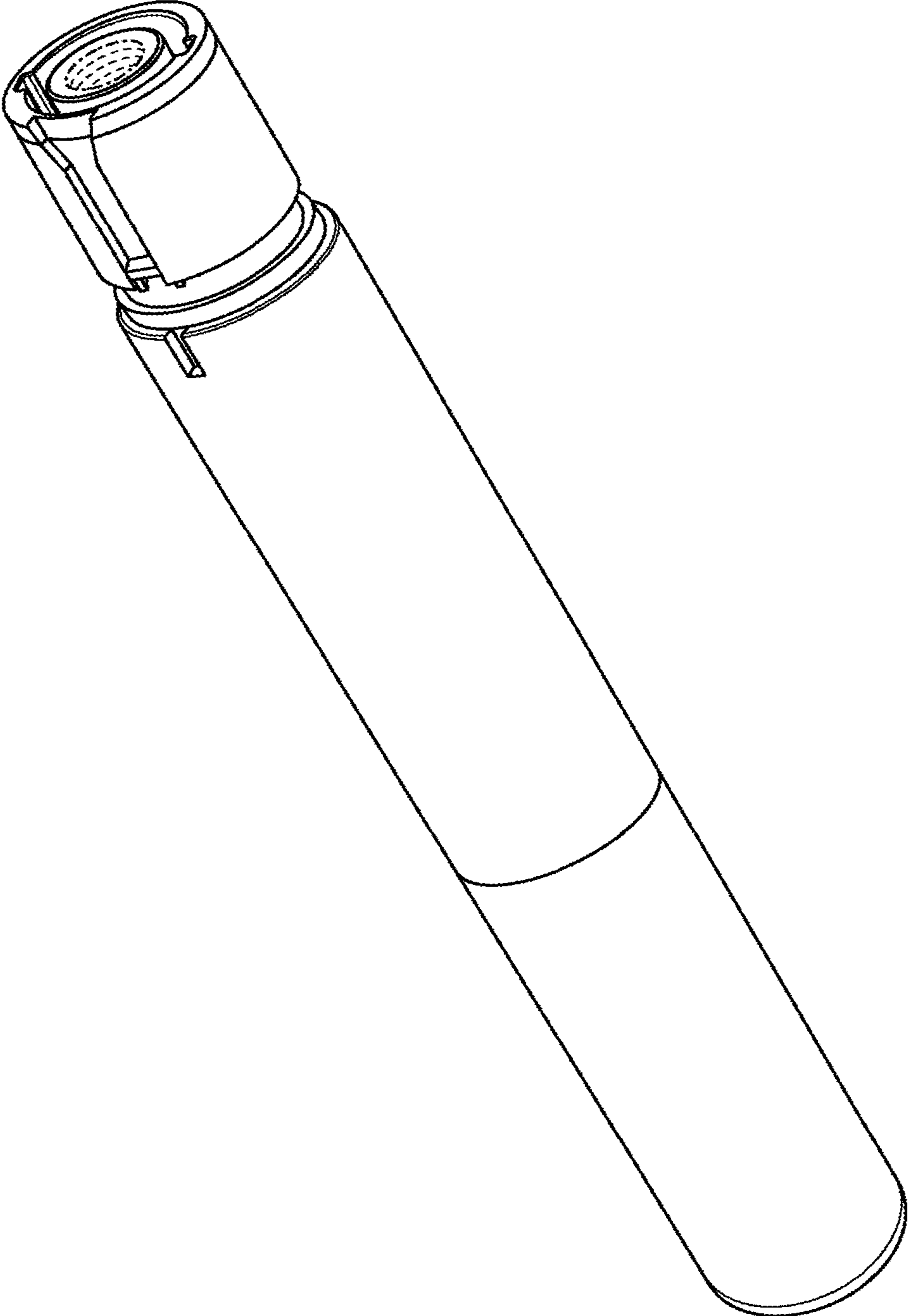


FIG. 2



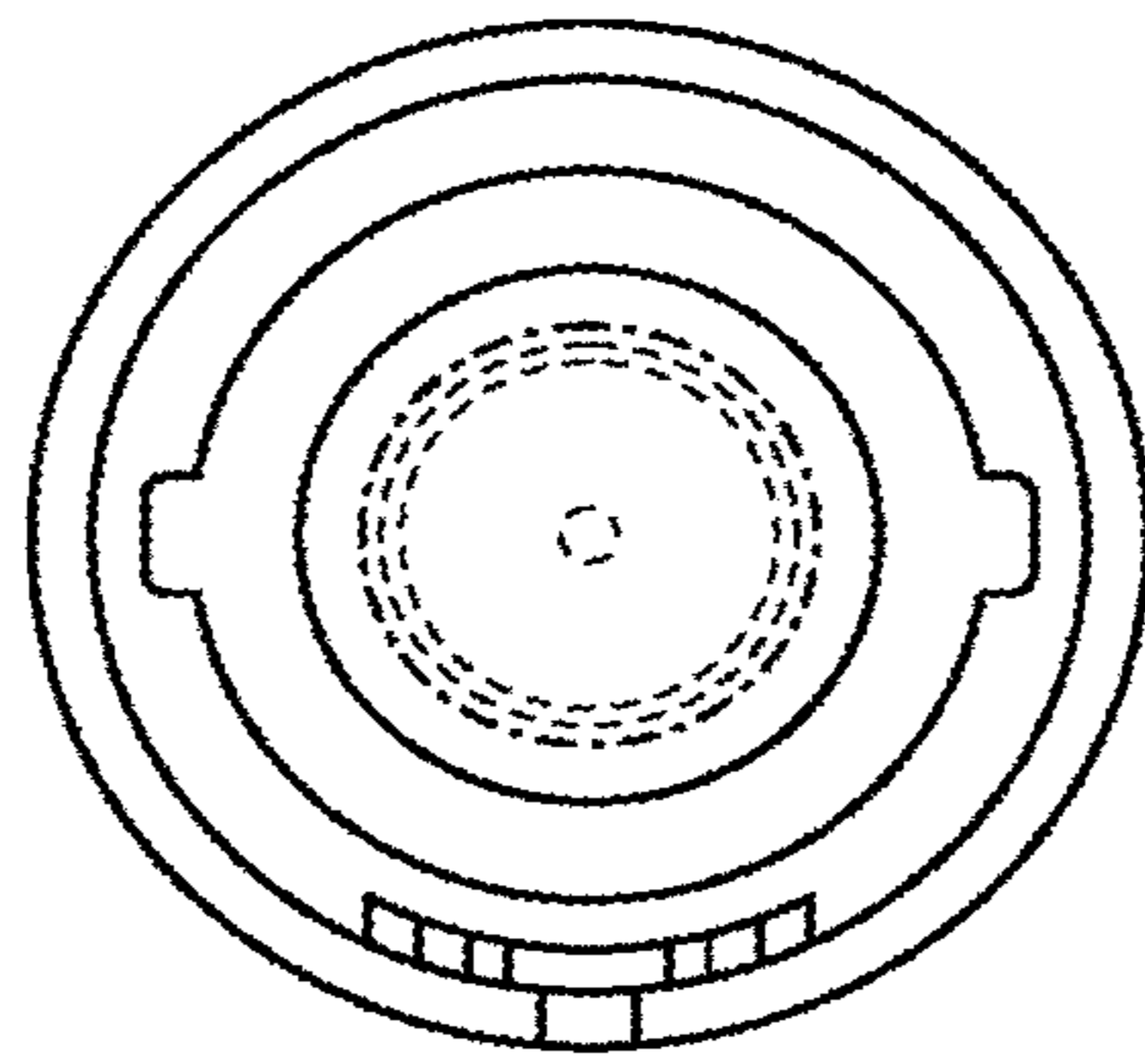
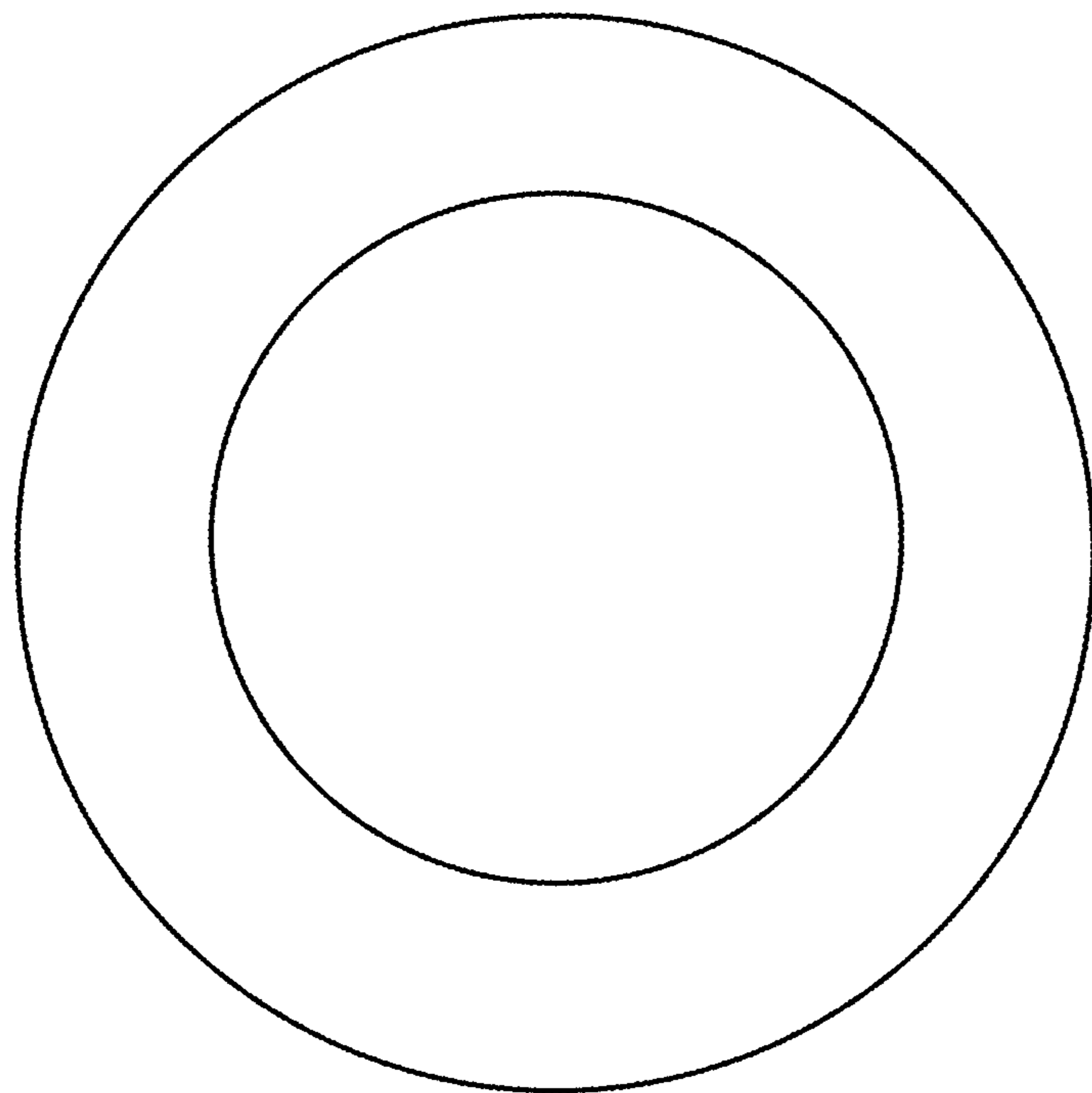
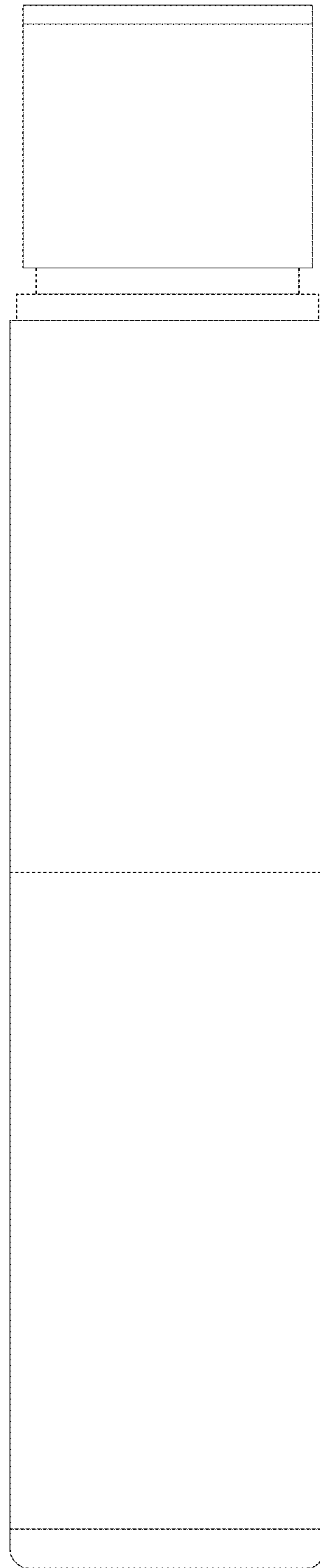


FIG. 3



**FIG. 4**



**FIG. 5**