



US00D859732S

(12) **United States Design Patent**
Robinson

(10) **Patent No.:** **US D859,732 S**

(45) **Date of Patent:** **** Sep. 10, 2019**

(54) **LIGHT GUIDE FOR LED LAMP**

(71) Applicant: **Kinace Innovations Limited**, Leeds
(GB)

(72) Inventor: **Adam Robinson**, Skelmanthorpe (GB)

(73) Assignee: **Kinace Innovations Limited**, Leeds
(GB)

(**) Term: **15 Years**

(21) Appl. No.: **29/617,143**

(22) Filed: **Sep. 12, 2017**

(51) **LOC (12) Cl.** **26-99**

(52) **U.S. Cl.**
USPC **D26/138**

(58) **Field of Classification Search**

USPC ... D26/2, 74, 78, 79, 80, 81, 82, 83, 85, 86,
D26/88, 90, 113, 118, 119, 120, 121, 122,
D26/138, 139, 140, 141, 142
CPC F21S 2/00; F21S 4/00; F21S 4/003; F21S
4/005; F21S 4/006; F21S 4/007; F21S
4/008; F21S 6/00; F21S 8/00; F21S
8/024; F21S 8/026; F21S 8/031; F21S
8/033; F21S 8/035-037; F21S 8/04; F21S
8/043; F21S 8/063

See application file for complete search history.

(56) **References Cited**

U.S. PATENT DOCUMENTS

D397,472 S * 8/1998 Lecluze D26/118
D533,959 S * 12/2006 Wambaugh D26/138

D570,531 S * 6/2008 Rashidi D26/118
D723,153 S * 2/2015 Borkholder D26/74
D745,210 S * 12/2015 Serwacki D26/138
D747,540 S * 1/2016 Serwacki D26/138
D768,316 S * 10/2016 Fleming D26/2
D831,266 S * 10/2018 Pyschos D26/138

* cited by examiner

Primary Examiner — Brian N. Vinson

(74) *Attorney, Agent, or Firm* — Welsh Flaxman & Gitler
LLC

(57) **CLAIM**

The ornamental design for a light guide for LED lamp, as
shown and described.

DESCRIPTION

FIG. 1 is a front angled perspective view of the light guide
for LED lamp;
FIG. 2 is a side angled perspective view of the light guide
for LED lamp;
FIG. 3 is a top angled perspective side view of the light
guide for LED lamp;
FIG. 4 is a side view of the light guide for LED lamp,
wherein the opposite side view is identical;
FIG. 5 is a top view of the light guide for LED lamp; and,
FIG. 6 is a bottom view of the light guide for LED lamp in
an open position.

1 Claim, 6 Drawing Sheets

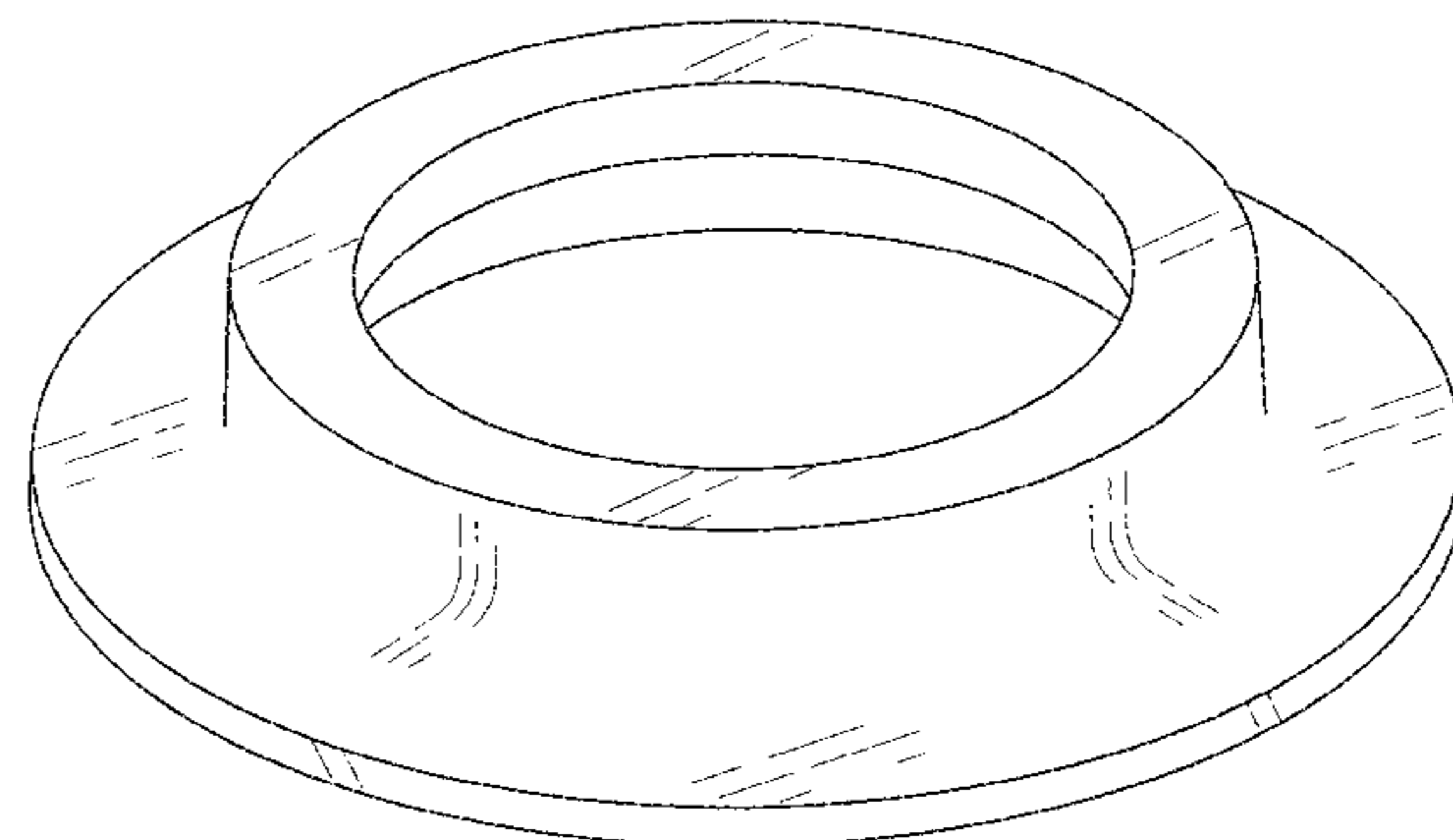
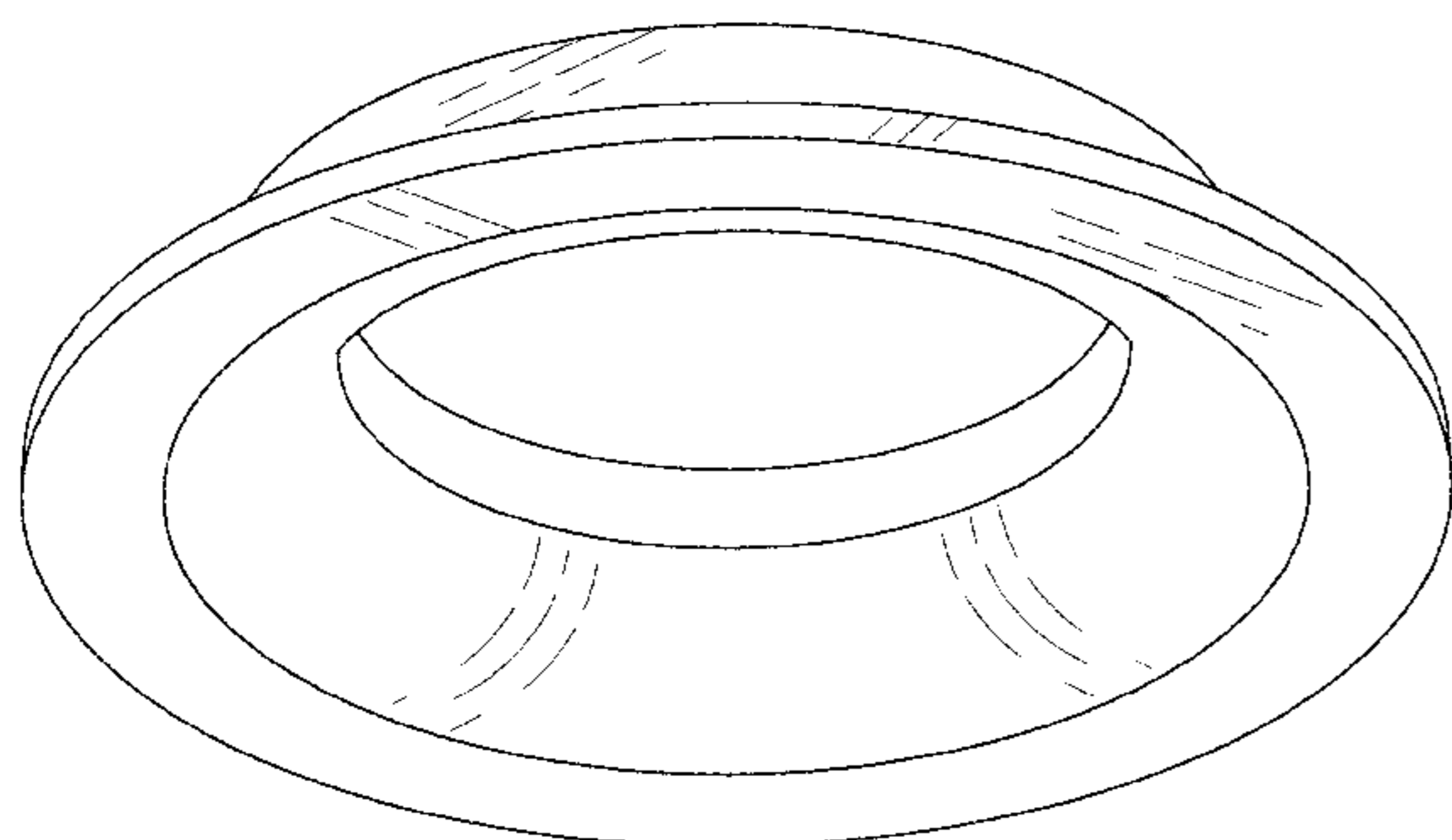


FIGURE 1

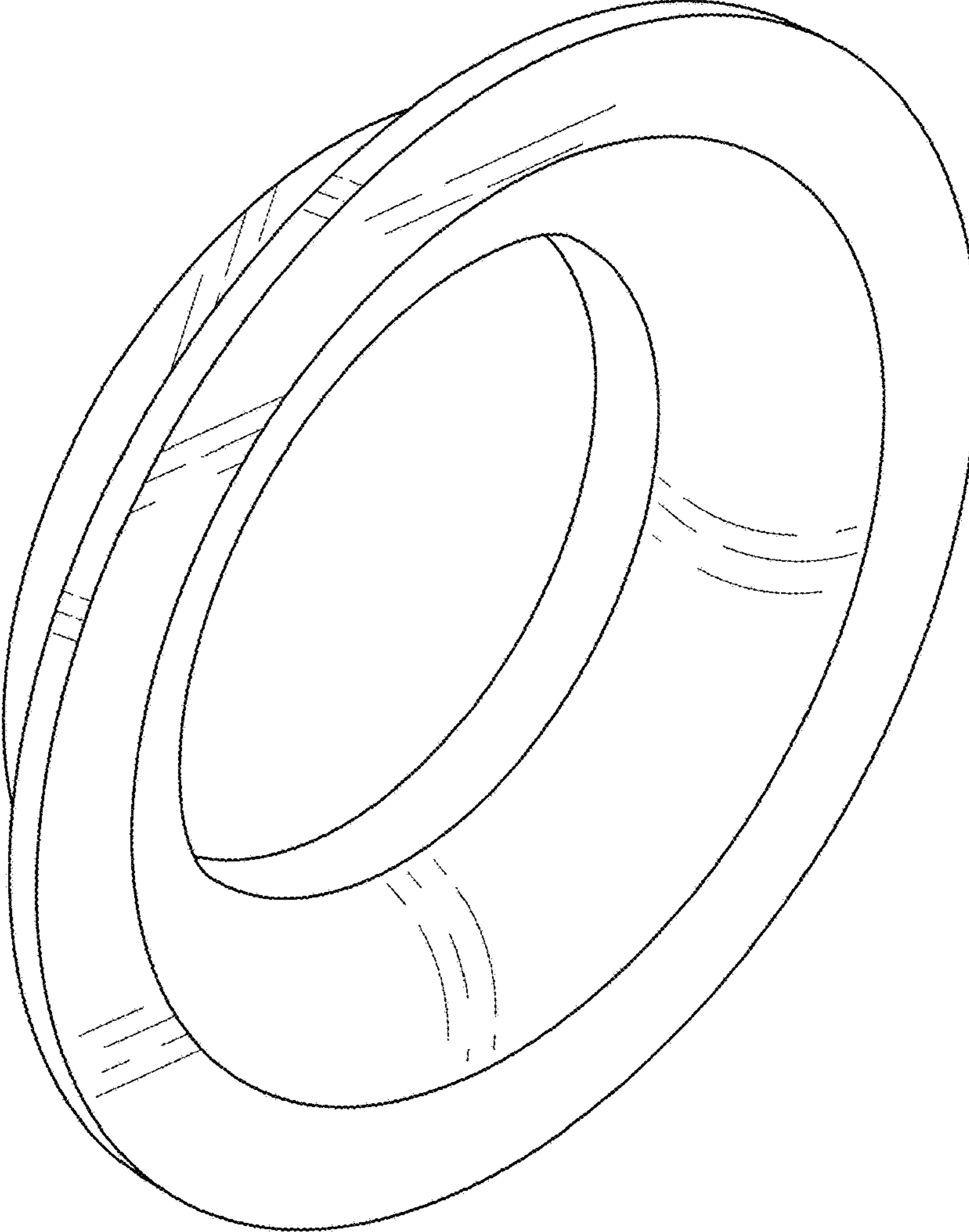


FIGURE 2

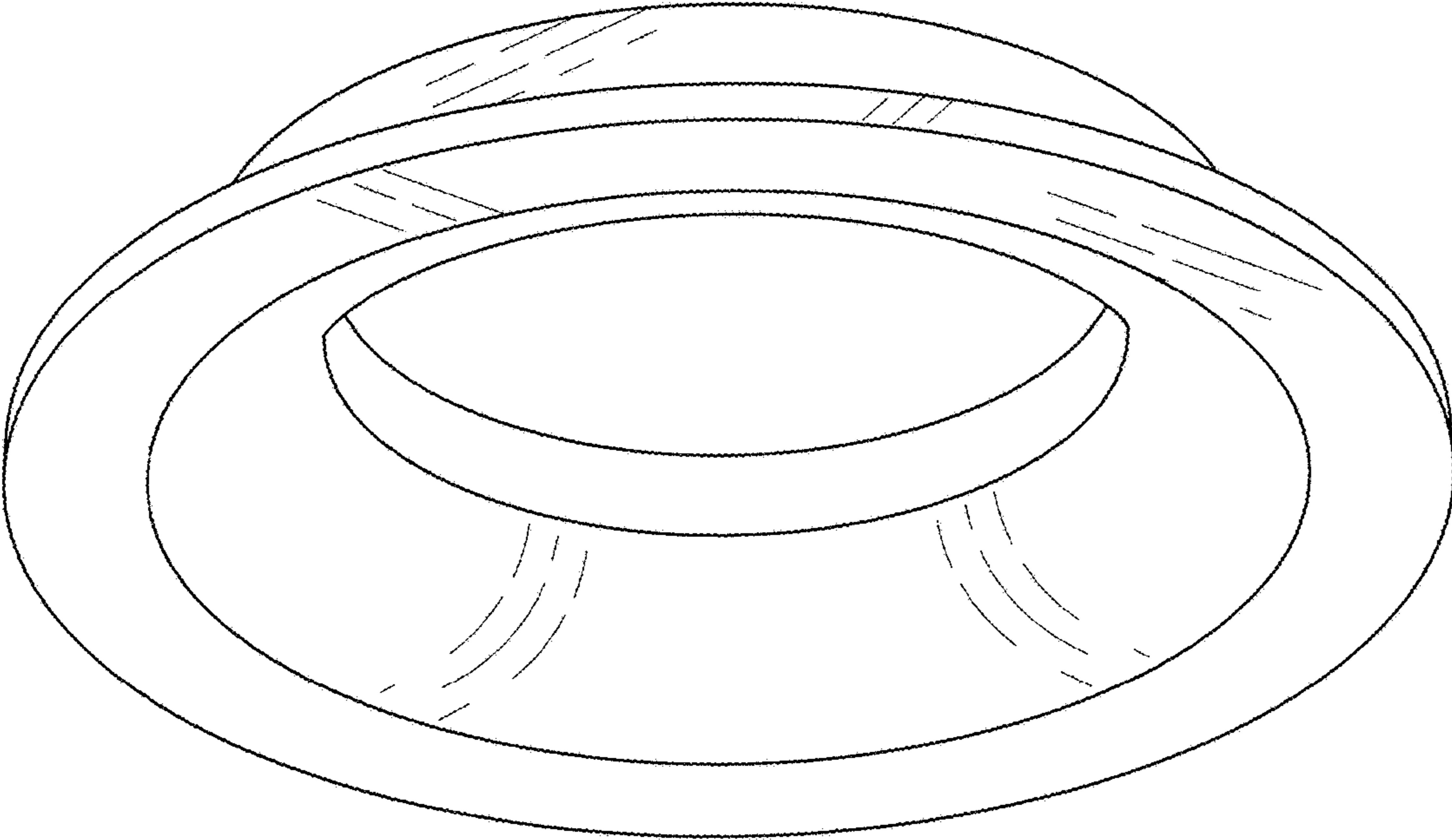


FIGURE 3

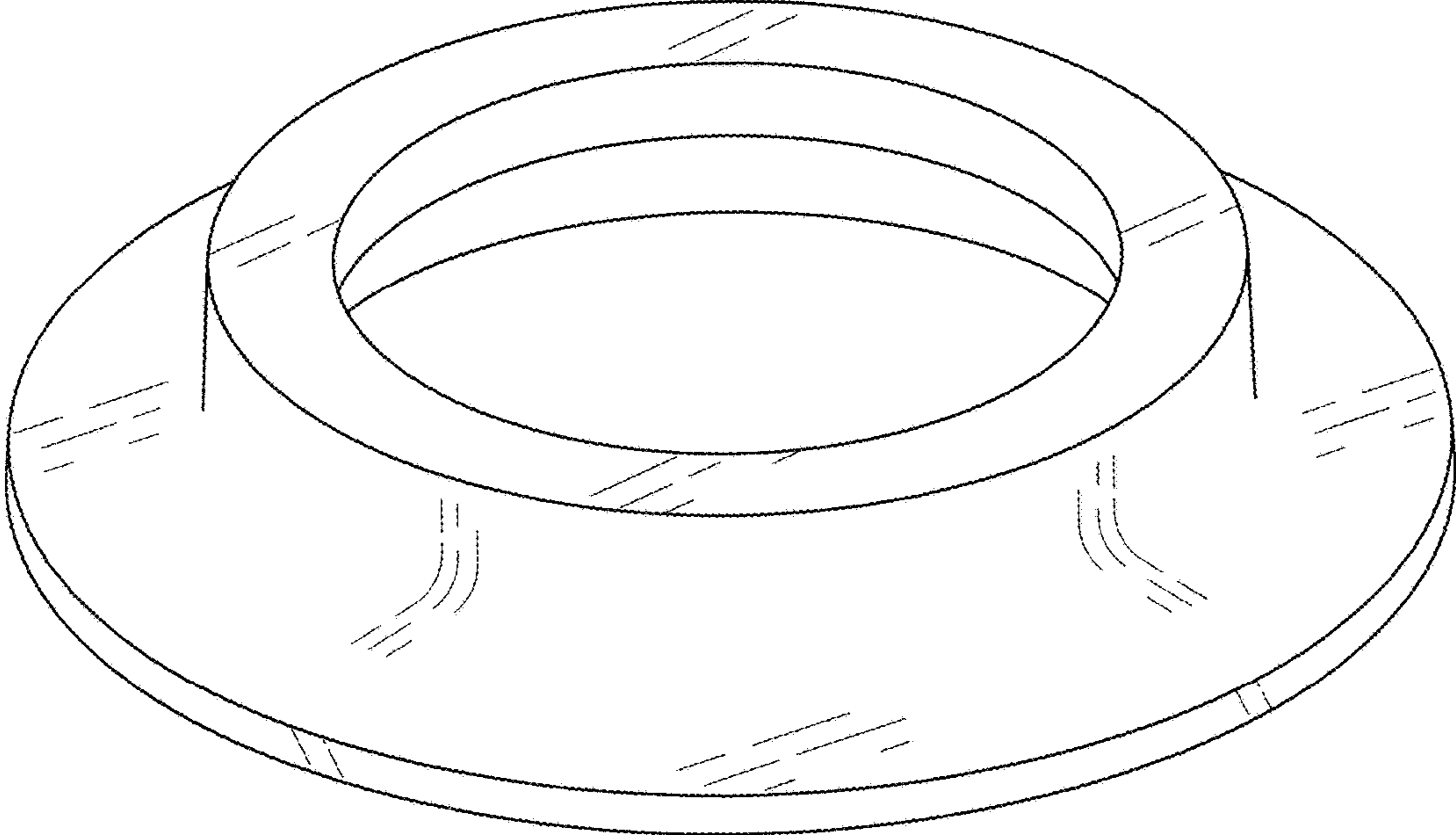


FIGURE 4

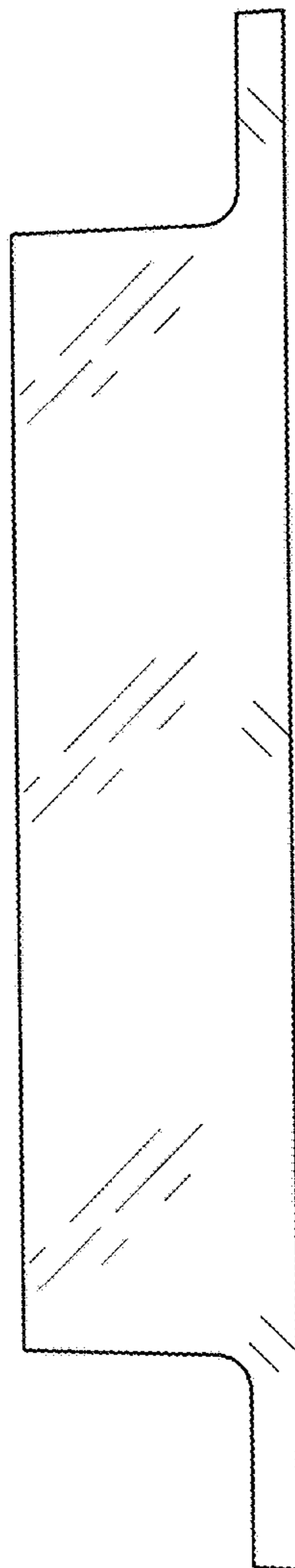


FIGURE 5

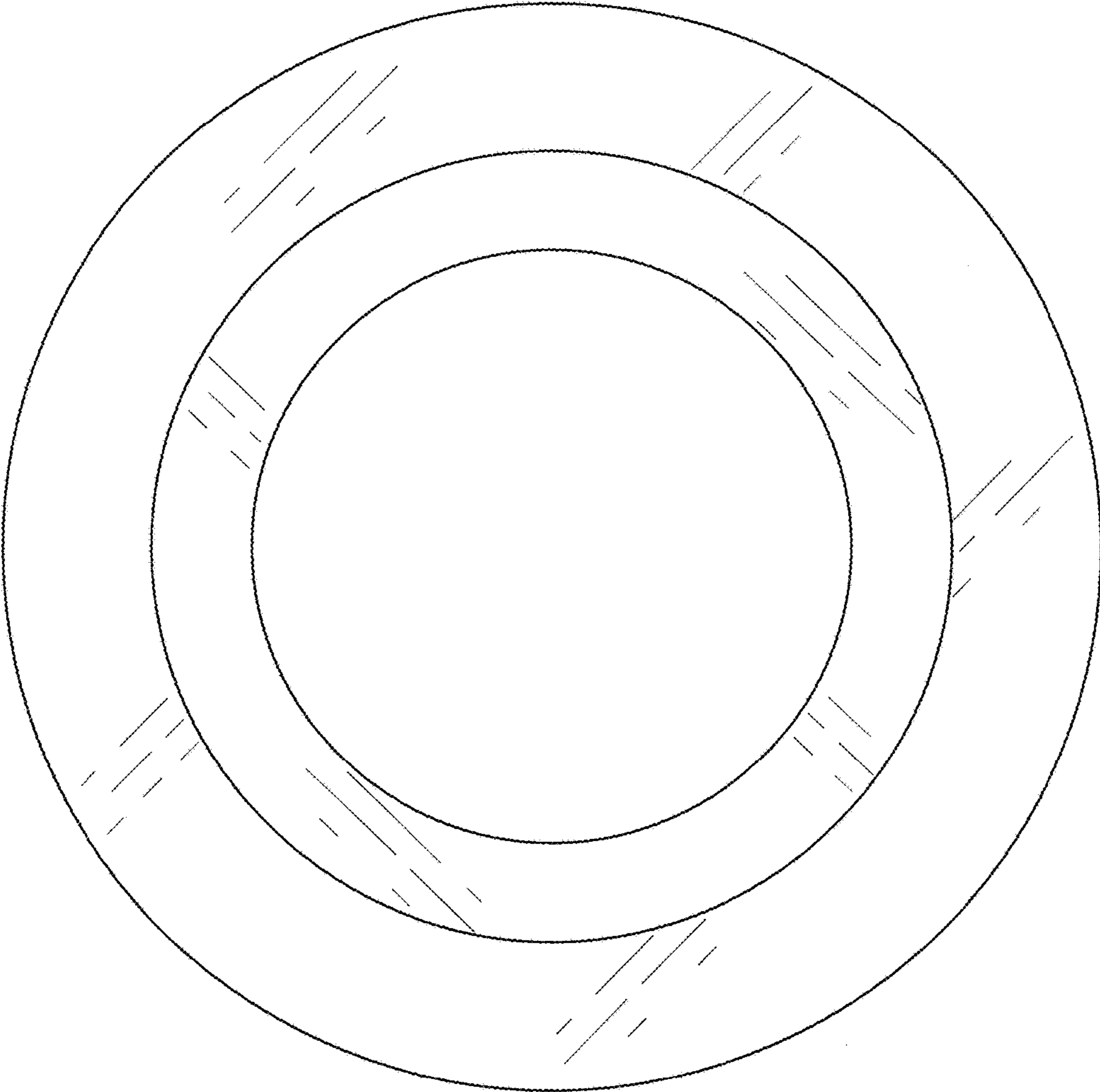


FIGURE 6

