



US00D859731S

(12) **United States Design Patent**
Wang et al.

(10) **Patent No.:** **US D859,731 S**
(45) **Date of Patent:** **** Sep. 10, 2019**

(54) **LIGHT**

(71) Applicant: **OPPLE LIGHTING CO., LTD.**,
Shanghai (CN)

(72) Inventors: **Guoping Wang**, Shanghai (CN); **Ziyu Xu**, Shanghai (CN); **Qingjun Wei**, Shanghai (CN); **Hongbo Wang**, Shanghai (CN); **Jianzhu Du**, Shanghai (CN)

(73) Assignee: **OPPLE LIGHTING CO., LTD.**,
Shanghai (CN)

(**) Term: **15 Years**

(21) Appl. No.: **29/614,674**

(22) Filed: **Aug. 22, 2017**

(51) **LOC (12) Cl.** **26-99**

(52) **U.S. Cl.**
USPC **D26/120**

(58) **Field of Classification Search**
USPC D26/67-72, 92, 118, 63, 1, 120
CPC F21S 8/033; F21S 8/036; F21S 8/08; F21S 8/081; F21S 8/085; F21S 8/086; F21S 6/003; F21S 8/088; F21S 9/03; F21S 9/037; F21W 2131/1005; F21W 2131/103; F21W 2131/107; F21W 2131/109; F21W 2111/02; F21V 29/76; F21V 23/005

See application file for complete search history.

(56) **References Cited**

U.S. PATENT DOCUMENTS

D84,748 S * 7/1931 Johnson D26/120
4,460,945 A * 7/1984 Chan F21V 15/00
362/255
D573,292 S * 7/2008 Zheng D26/71
D578,696 S * 10/2008 Wang D26/70

D580,577 S * 11/2008 Wang D26/63
D599,939 S * 9/2009 Zheng D26/71
D603,077 S * 10/2009 Kinnune D26/71
D645,190 S * 9/2011 Van Klinken D26/71
D660,496 S * 5/2012 Akdag D26/71
D676,174 S * 2/2013 Akinrele D26/71
D676,589 S * 2/2013 Elam D26/71
D677,422 S * 3/2013 Lin D26/120
D683,061 S * 5/2013 Ham D26/71
D694,935 S * 12/2013 Zheng D26/71
D737,501 S * 8/2015 Chen D26/120
D743,083 S * 11/2015 Bembridge D26/71

(Continued)

OTHER PUBLICATIONS

Peanut Array LED Lens for tunnel lighting modules by Sollente, model No. SOE-2X6-143x70. From streetlightmodule.com, visited Mar. 26, 2019. (Year: 2019).*

(Continued)

Primary Examiner — Clare E Heflin

(74) *Attorney, Agent, or Firm* — Arch & Lake LLP

(57) **CLAIM**

The ornamental design for a light, as shown and described.

DESCRIPTION

FIG. 1 is a top perspective view of an ornamental design for a light;

FIG. 2 is top plan view of the light of FIG. 1;

FIG. 3 is a bottom plan view of the light of FIG. 1;

FIG. 4 is a right side elevational view of the light of FIG. 1;

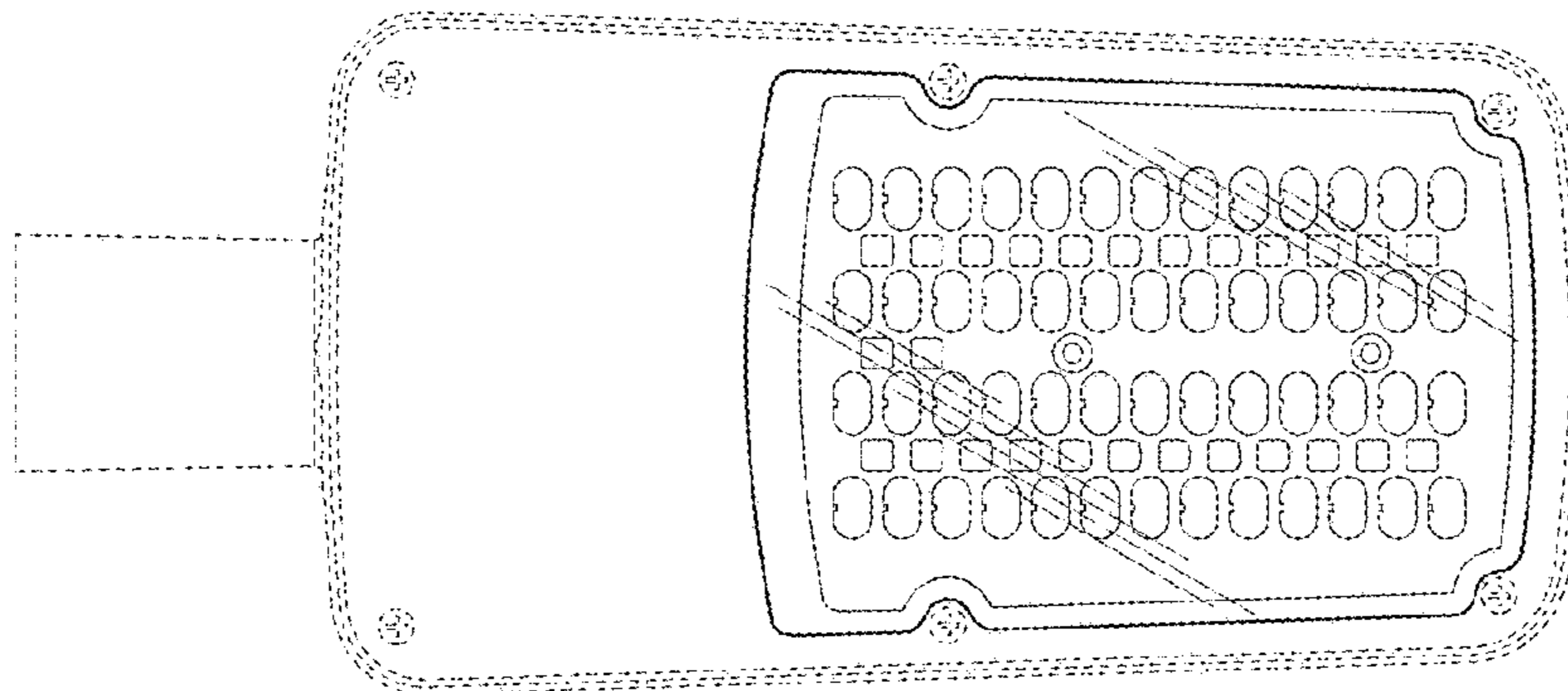
FIG. 5 is a left side elevational view of the light of FIG. 1;

FIG. 6 is a front elevational view of the light of FIG. 1; and,

FIG. 7 is a rear elevational view of the light of FIG. 1.

The dash-dash-dash broken lines are included for the purpose of illustrating portions that form no part of the claimed design.

1 Claim, 4 Drawing Sheets



(56)

References Cited

U.S. PATENT DOCUMENTS

D818,173 S * 5/2018 Wan F21V 15/00
D26/71
D819,246 S * 5/2018 Liu F21V 23/0471
D26/71
D822,868 S * 7/2018 Liu D26/71
D826,448 S * 8/2018 Wan D26/71
D834,737 S * 11/2018 Shalvi F21V 23/005
D26/92
10,228,103 B1 * 3/2019 Zhou F21V 23/0471
2011/0242807 A1 * 10/2011 Little, Jr. F21V 5/007
362/235
2016/0215955 A1 * 7/2016 Donato F21V 23/005
2017/0167676 A1 * 6/2017 Wang F21S 8/086
2017/0307197 A1 * 10/2017 Clark F21S 8/086
2018/0080639 A1 * 3/2018 Papai F21V 21/116
2019/0003660 A1 * 1/2019 Jang F21V 31/00
2019/0003687 A1 * 1/2019 Chiu F21V 17/10
2019/0017667 A1 * 1/2019 Mitchell F21S 8/086

OTHER PUBLICATIONS

LED Street Lamp Accessories Lens for Long Pole Distance Street Light by Sollente, model No. SOE-2X6-135x55S. From streetlightmodule.com, visited Mar. 26, 2019. (Year: 2019).*

30W Cool White Waterproof LED Streetlight by Dynel. From industrybuying.com, visited Mar. 26, 2019. (Year: 2019).*

3x8 LED Lens Array for 24W Street Light, two lanes road light lens by Sollente, model No. SOE-01381-24W. From streetlightmodule.com, visited Mar. 26, 2019. (Year: 2019).*

* cited by examiner

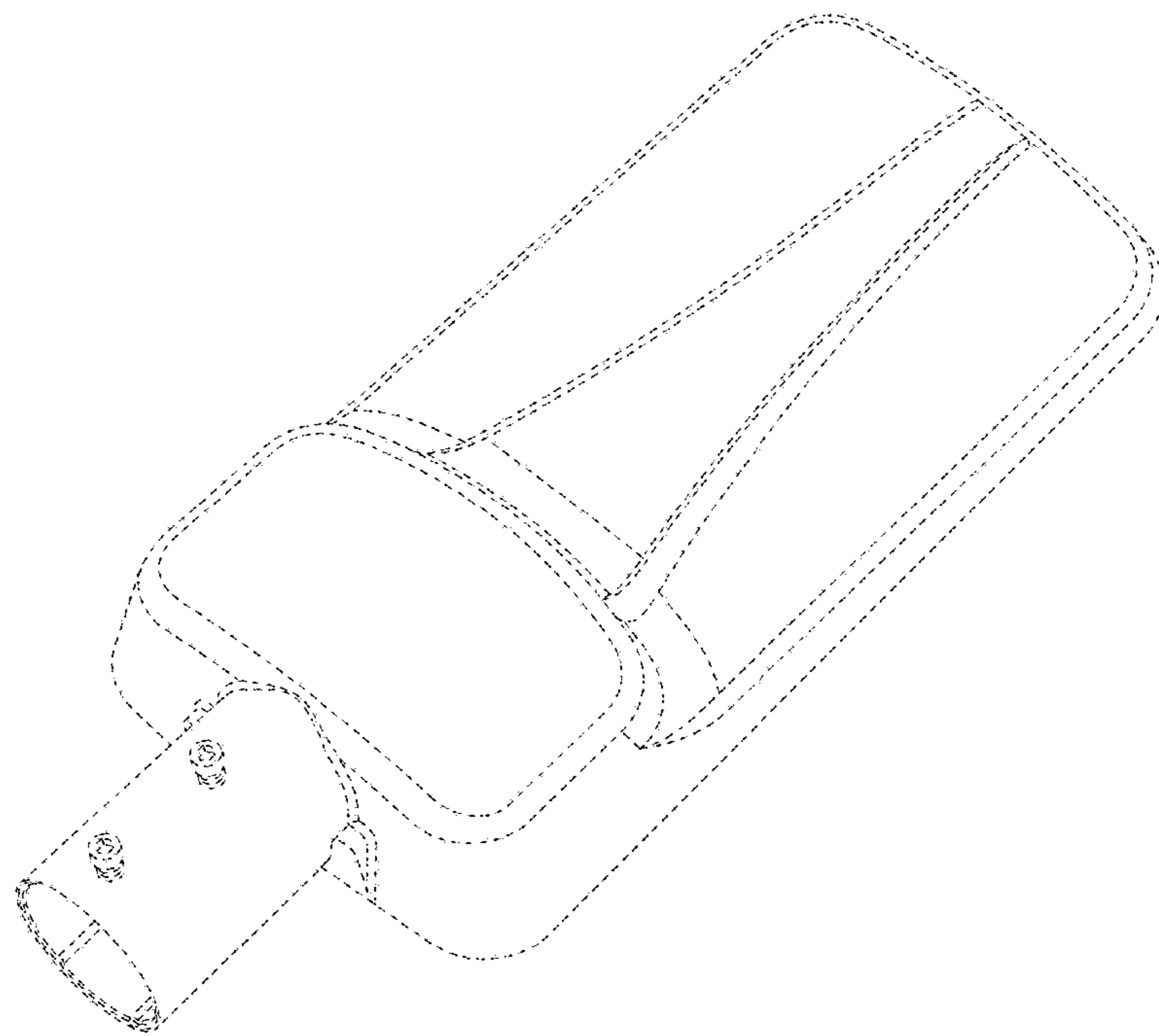


FIG. 1

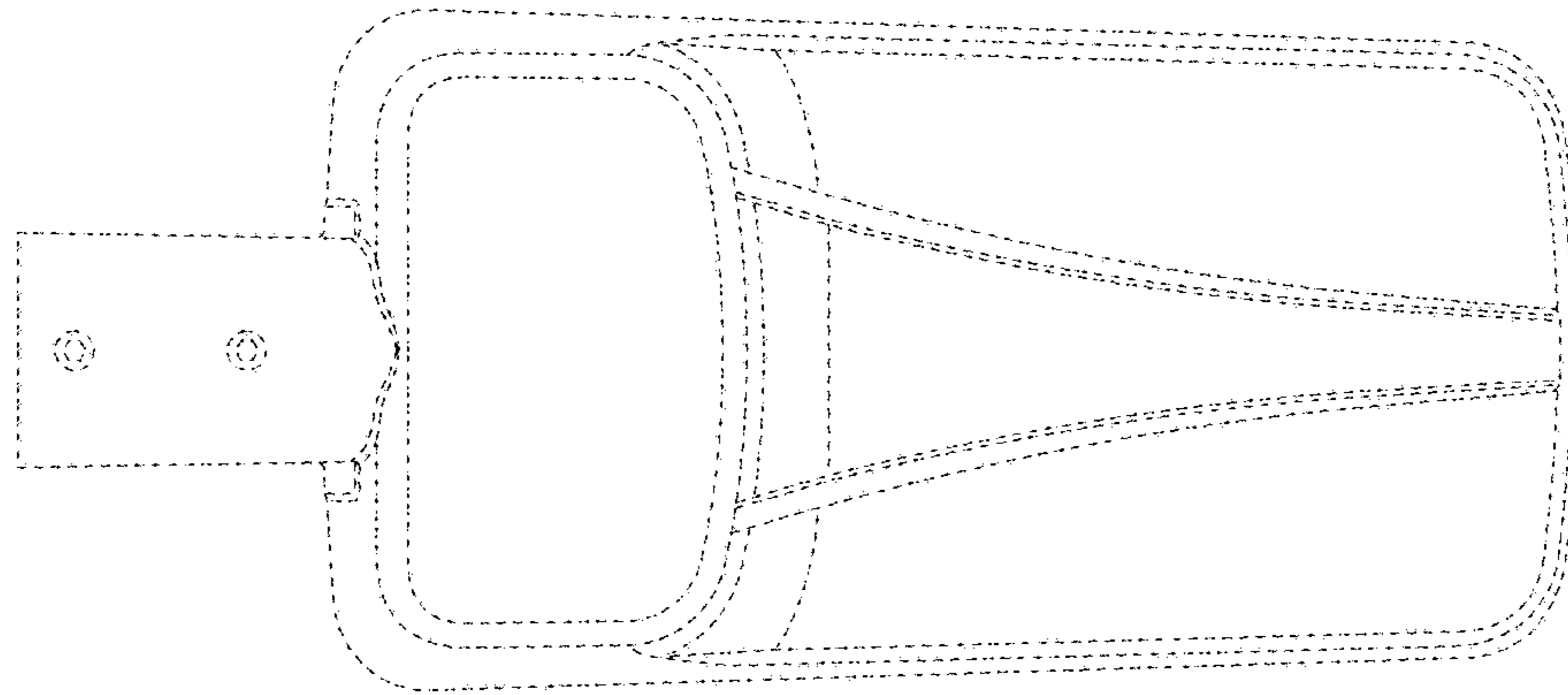


FIG. 2

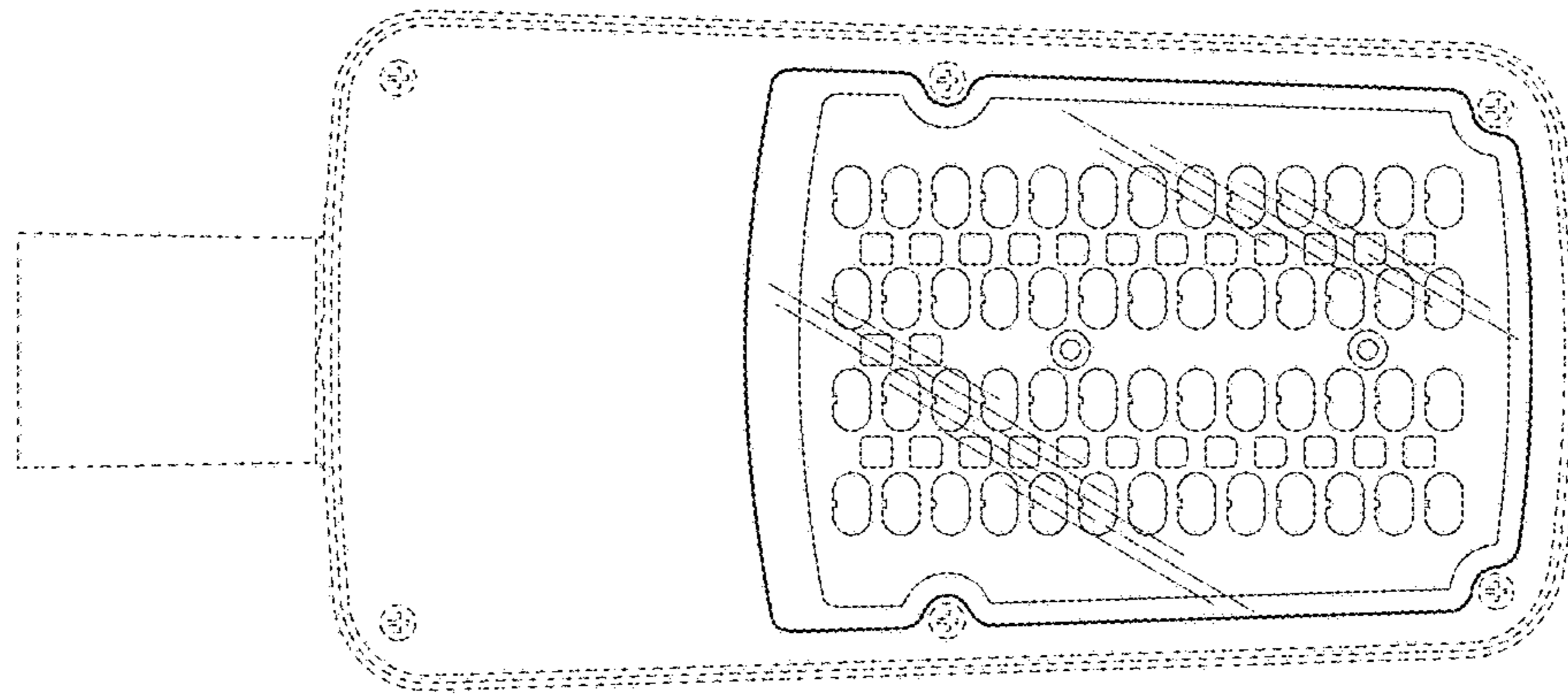


FIG. 3

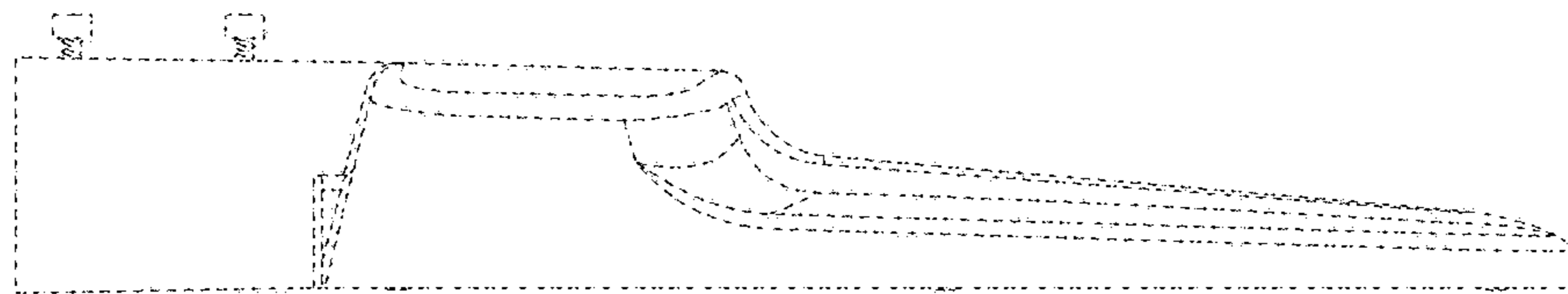


FIG. 4

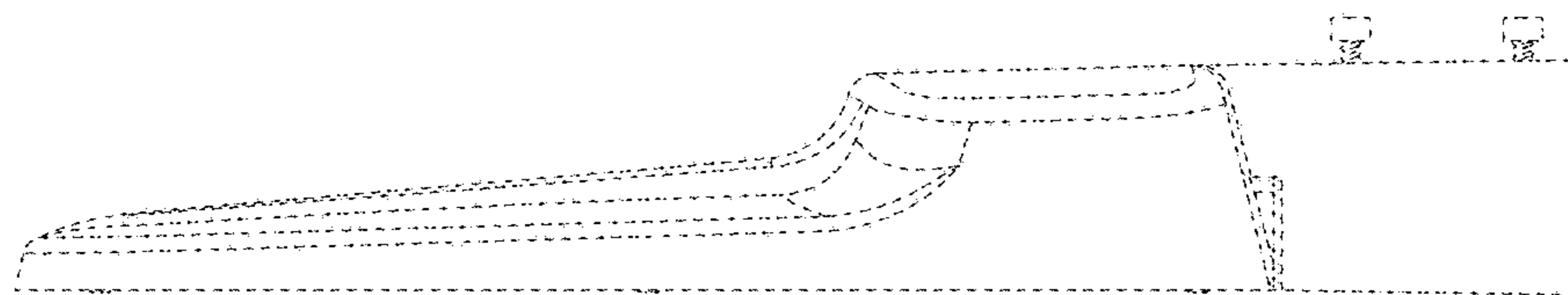


FIG. 5

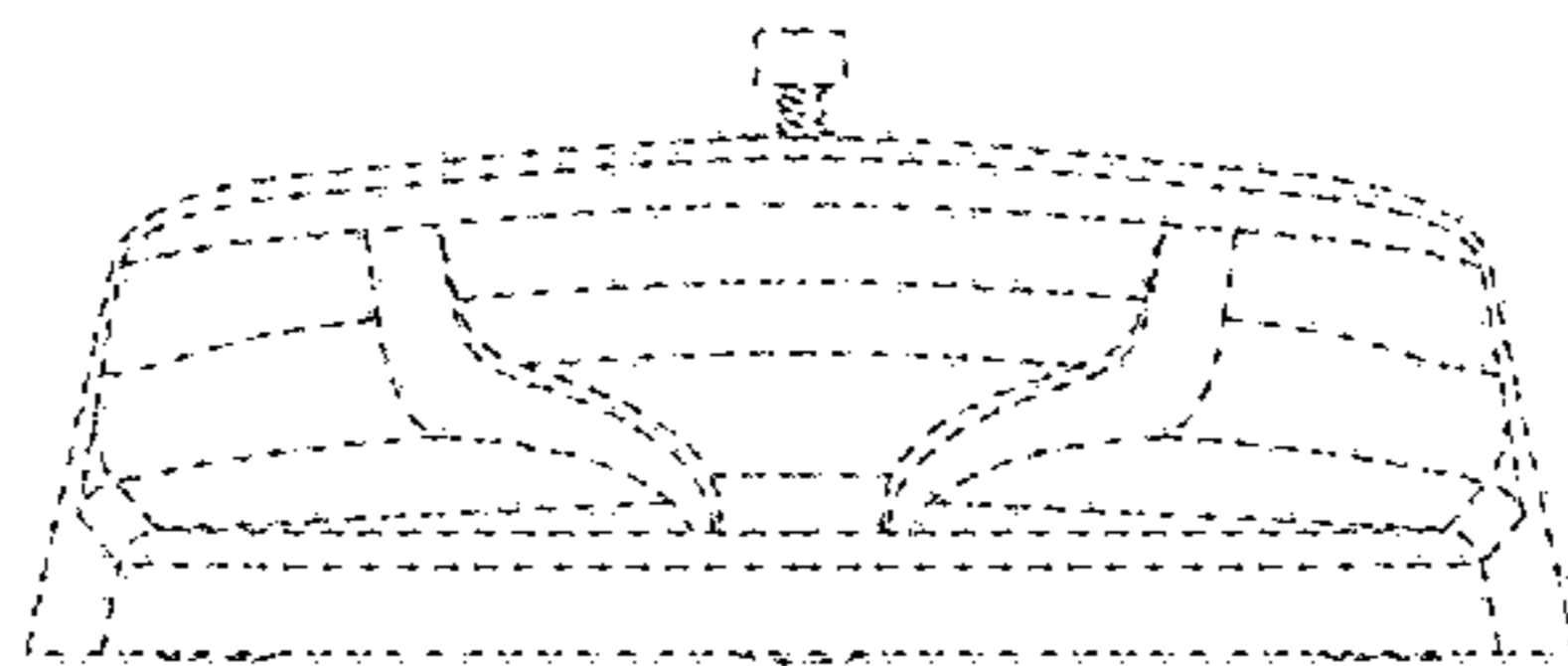


FIG. 6

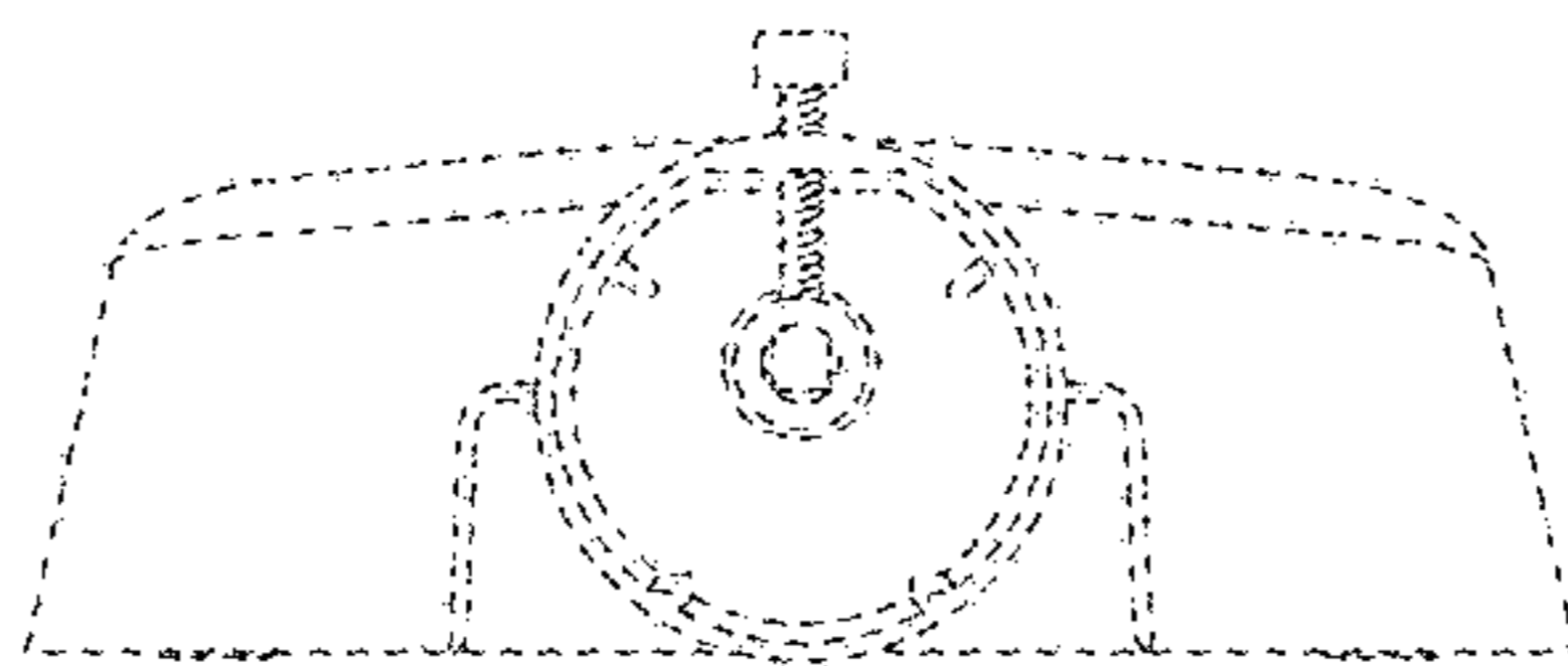


FIG. 7