



US00D859730S

(12) **United States Design Patent** (10) **Patent No.:** **US D859,730 S**
Blechner (45) **Date of Patent:** **** Sep. 10, 2019**

(54) **LAMP**

(71) Applicant: **Innovative Consumer Goods, Inc.**,
Brookline, MA (US)
(72) Inventor: **Mark Blechner**, Brookline, MA (US)
(73) Assignee: **Innovative Consumer Goods, Inc.**,
Brookline, MA (US)
(**) Term: **15 Years**
(21) Appl. No.: **29/653,134**

(22) Filed: **Jun. 12, 2018**
(51) **LOC (12) Cl.** **26-99**
(52) **U.S. Cl.**
USPC **D26/118; D26/62**
(58) **Field of Classification Search**
USPC D26/61-65, 24, 113, 118
CPC .. F21S 6/00; F21S 6/003; F21V 14/00; F21V
21/00; F21V 21/14; F21W 2131/30
See application file for complete search history.

(56) **References Cited**

U.S. PATENT DOCUMENTS

D522,677 S *	6/2006	Ming	D26/60
D590,533 S *	4/2009	Li	D26/60
D590,976 S *	4/2009	Levine	D26/60
D608,925 S *	1/2010	Hodgson	D26/62
D690,858 S *	10/2013	Citterio	D26/63
D754,382 S *	4/2016	van Oord	D26/61
D775,391 S *	12/2016	Law	D26/61
D803,450 S *	11/2017	Xie	D26/63

OTHER PUBLICATIONS

[No Author Listed], 'Or-Li'—A Shabbat Lamp. The Zomet Institute. Accessed Apr. 6, 2017; 2 pages. Retrieved from the Internet <http://www.zomet.org.il/eng/?CategoryID=250&ArticleID=111&print=1> [Last accessed Jul. 25, 2018].

* cited by examiner

Primary Examiner — Brian N. Vinson

(74) *Attorney, Agent, or Firm* — Wolf, Greenfield & Sacks, P.C.

(57) **CLAIM**

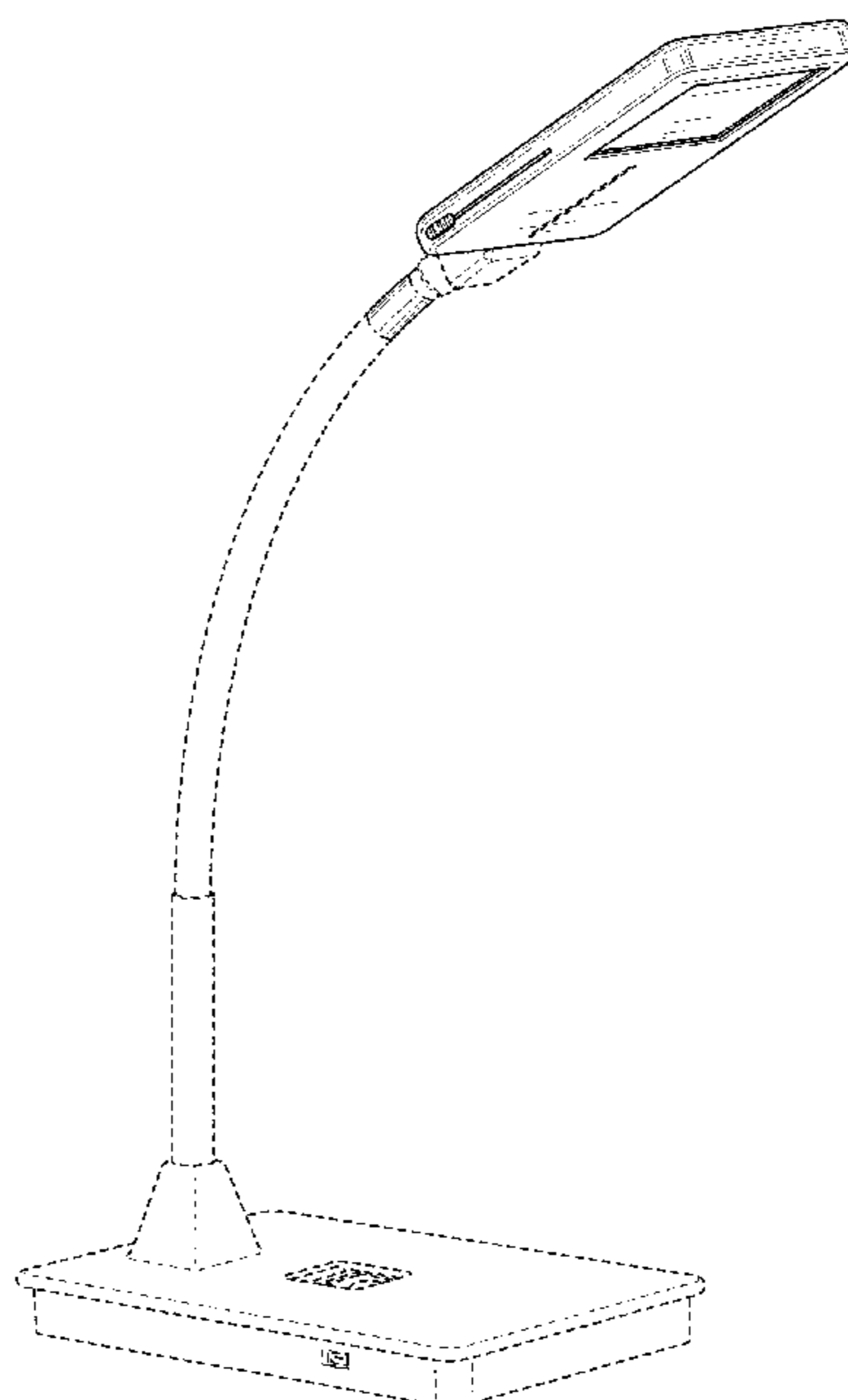
The ornamental design for a lamp, as shown and described.

DESCRIPTION

FIG. 1 is a front, left perspective view of a lamp showing my new design;
FIG. 2 is a front view thereof;
FIG. 3 is a rear view thereof;
FIG. 4 is a left side view thereof;
FIG. 5 is a right side view thereof;
FIG. 6 is a top view thereof; and,
FIG. 7 is a bottom view thereof.

The dashed lines shown illustrate portions of the lamp that form no part of the claimed design. The dot-dash-dot lines immediately adjacent the shaded area represent unclaimed boundary lines between claimed and unclaimed surfaces.

1 Claim, 7 Drawing Sheets



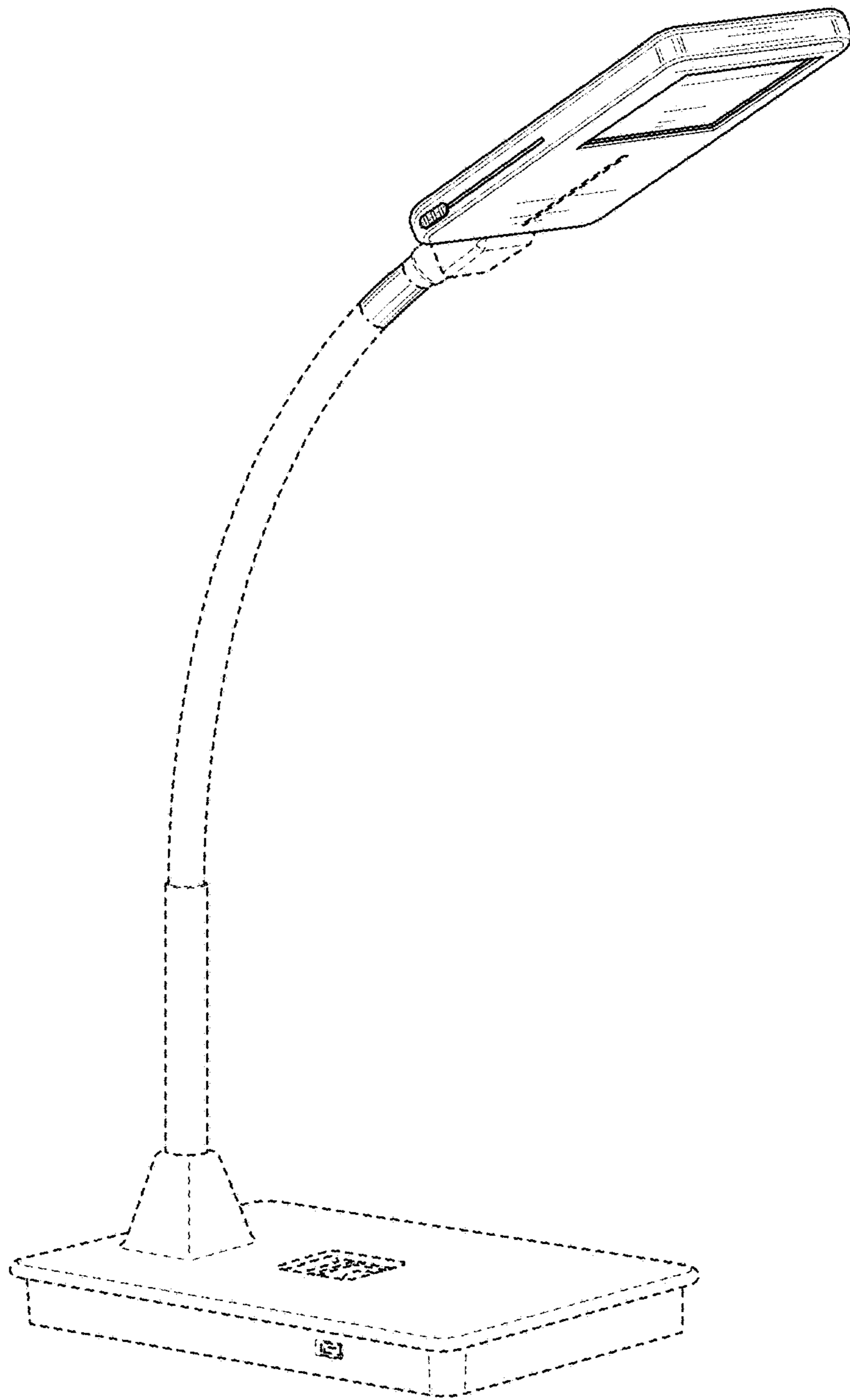


FIG. 1

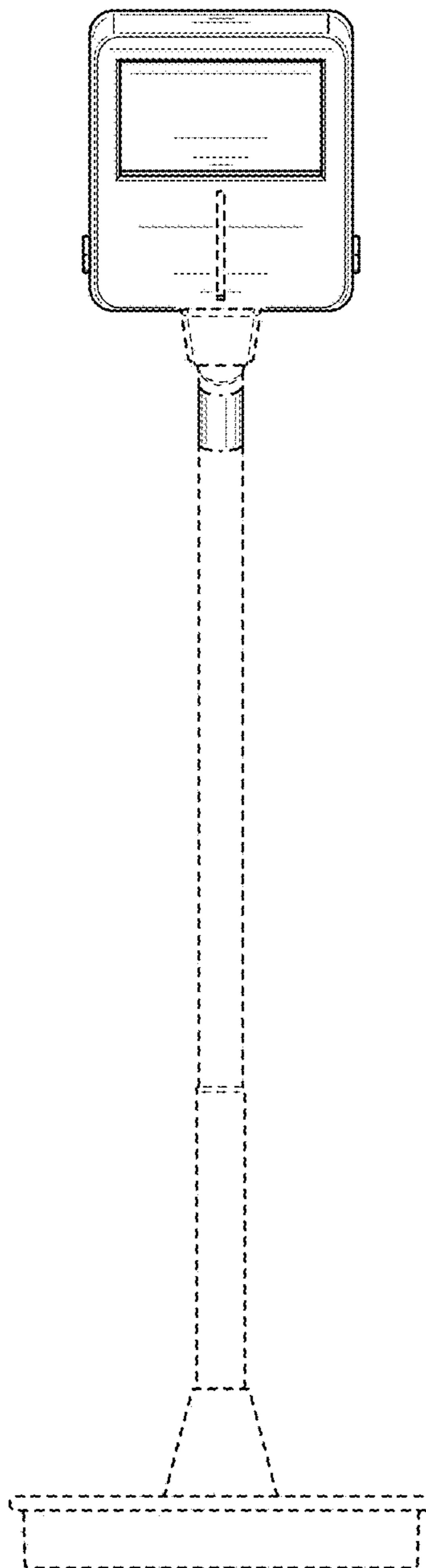


FIG. 2

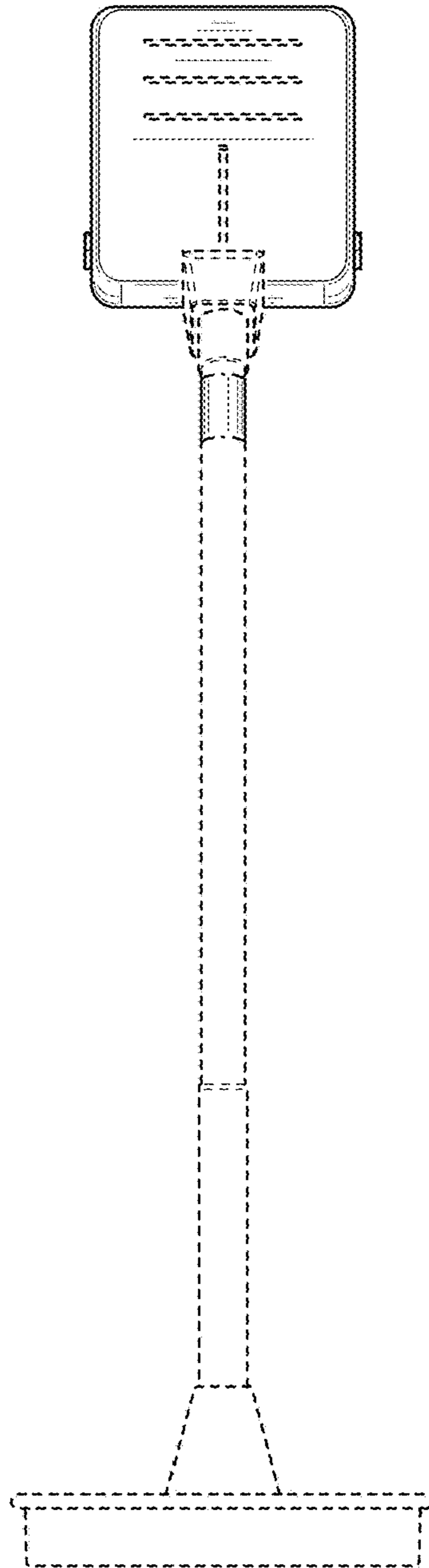


FIG. 3

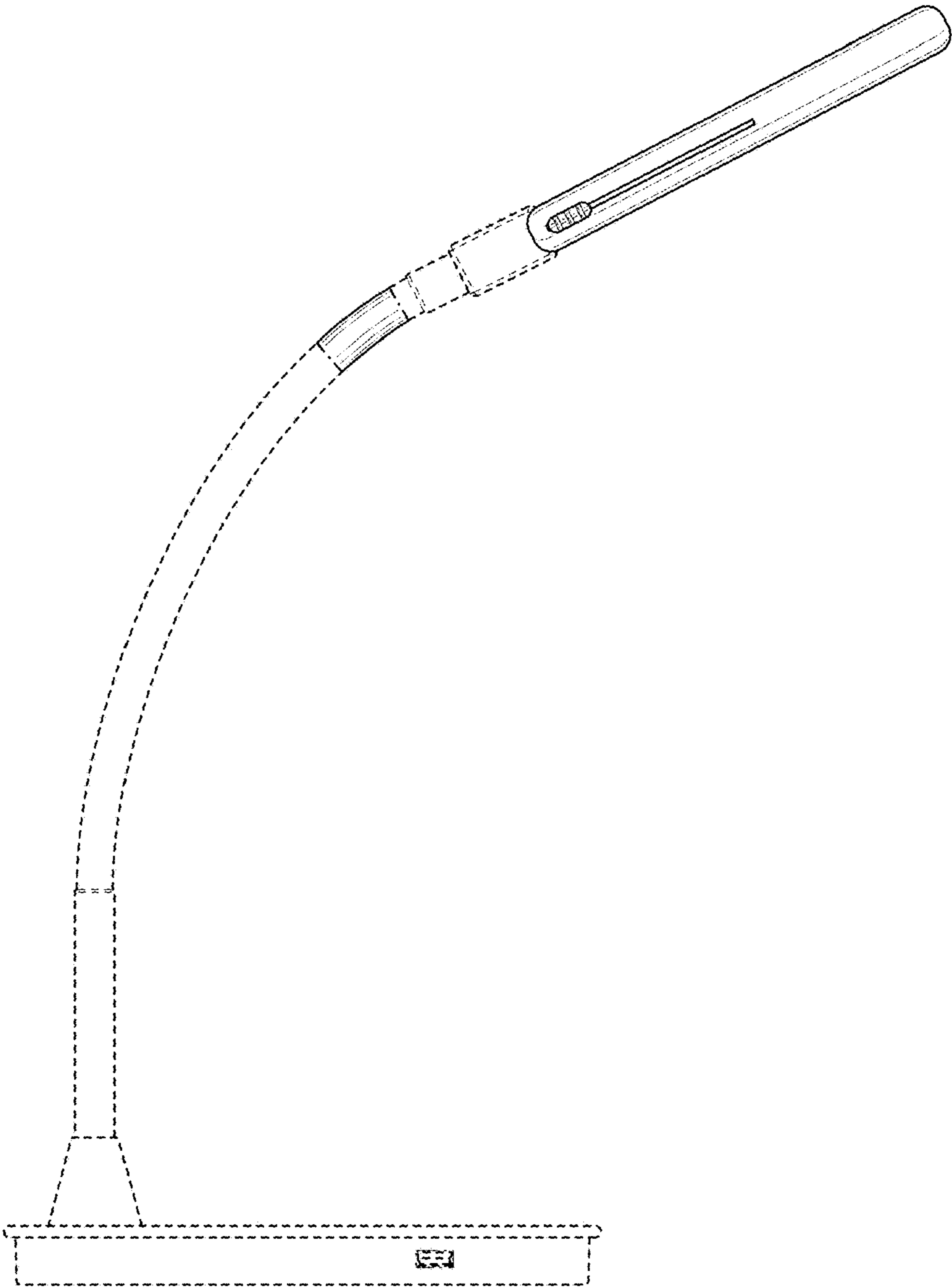


FIG. 4

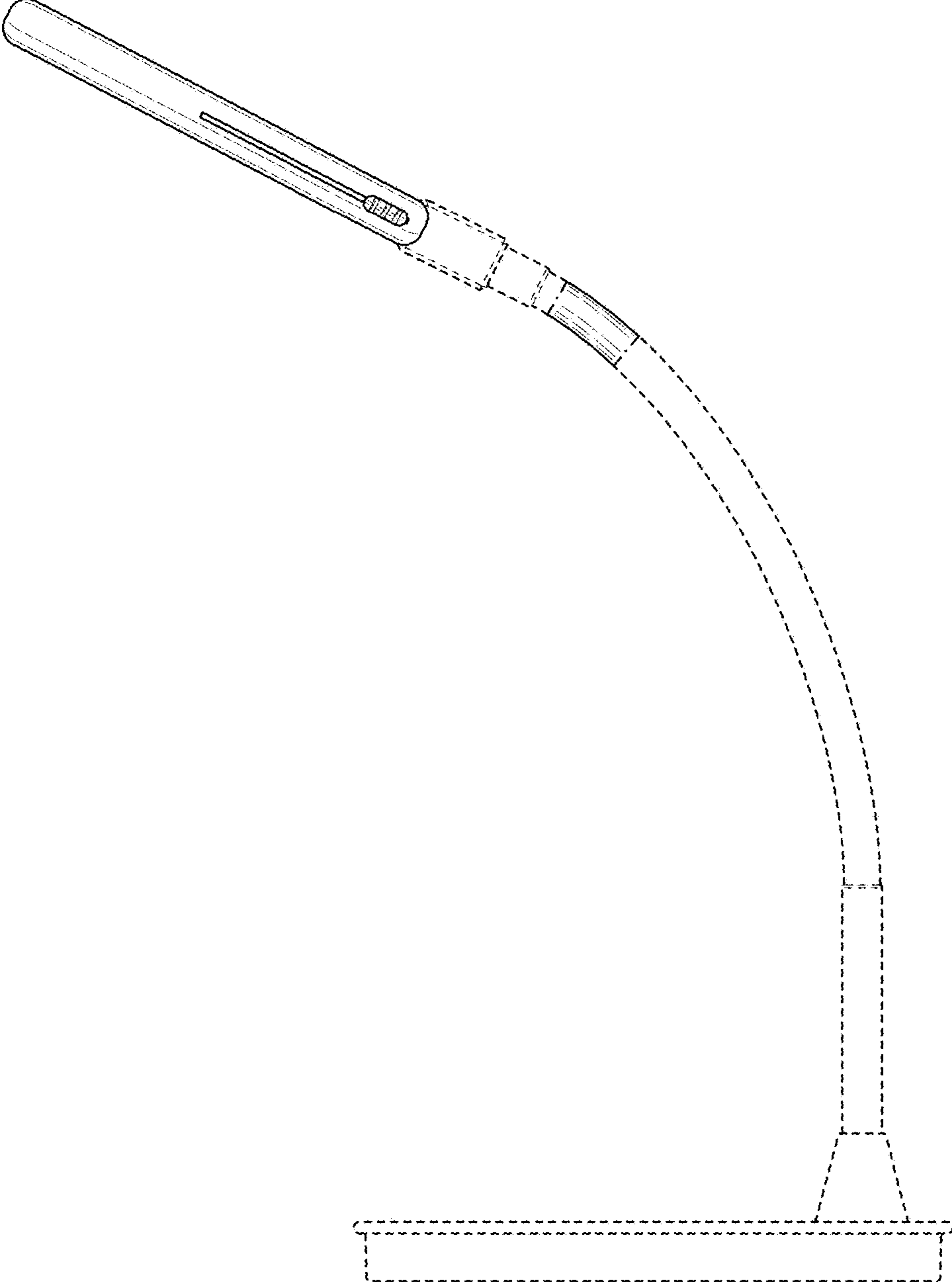


FIG. 5

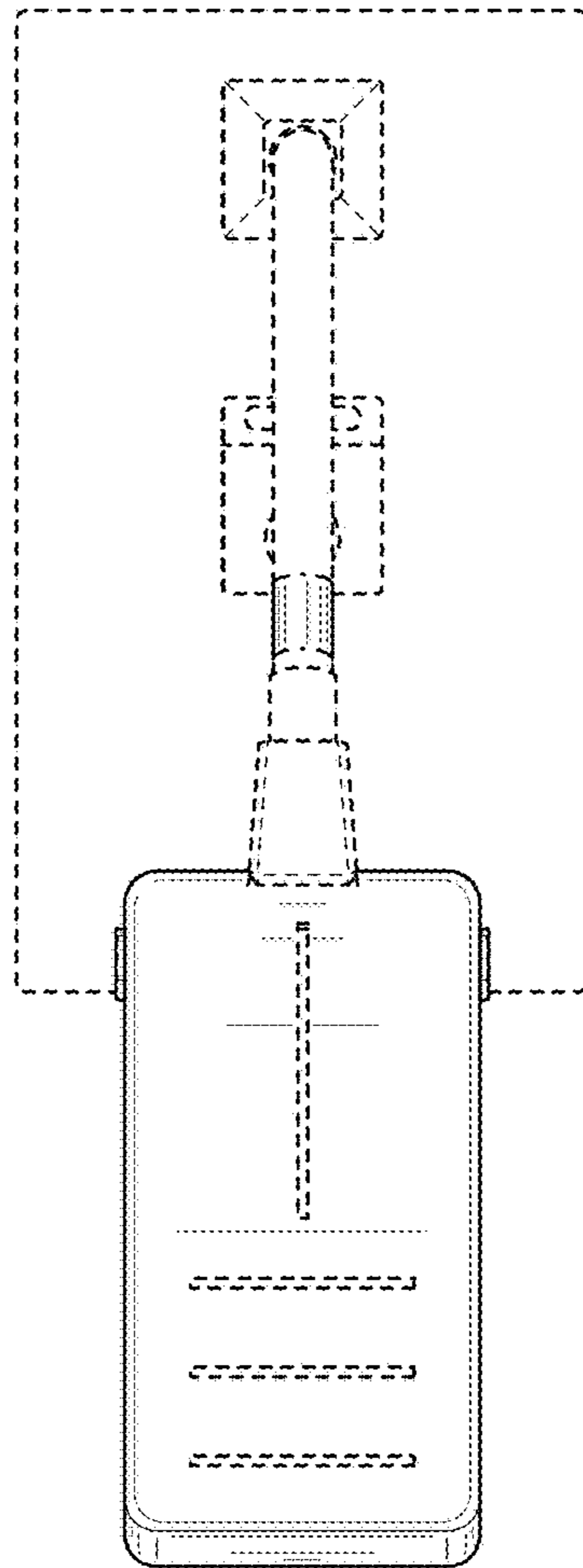


FIG. 6

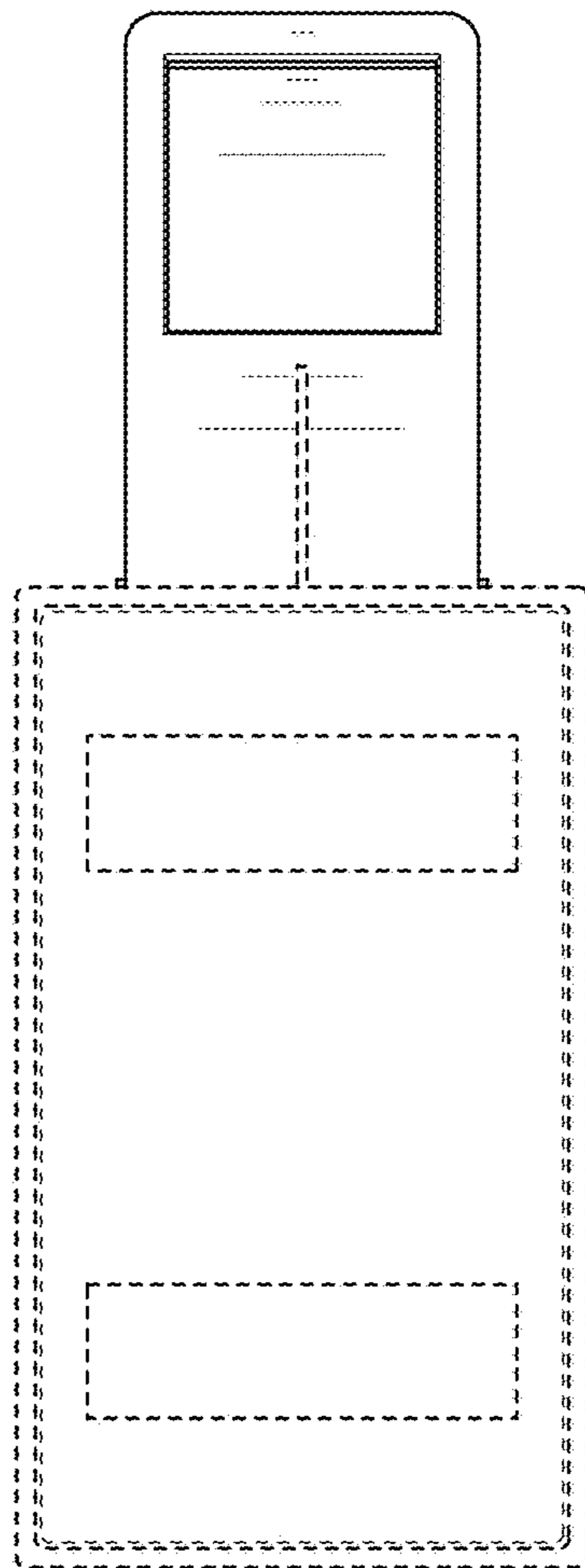


FIG. 7