



US00D859726S

(12) **United States Design Patent**  
**Ma et al.**

(10) **Patent No.:** **US D859,726 S**

(45) **Date of Patent:** **\*\* Sep. 10, 2019**

(54) **CEILING LIGHT**

(71) Applicant: **Mester LED Limited**, Shenzhen,  
Guangdong (CN)

(72) Inventors: **Erhua Ma**, Guangdong (CN);  
**Chunjiang Shuai**, Guangdong (CN);  
**Tao Yang**, Hu'nan (CN); **Jun Jin**,  
Guangdong (CN)

(73) Assignee: **Mester LED Limited**, Shenzhen (CN)

(\*\*) Term: **15 Years**

(21) Appl. No.: **29/632,548**

(22) Filed: **Jan. 8, 2018**

(30) **Foreign Application Priority Data**

Nov. 6, 2017 (CN) ..... 2017 3 0541861

(51) **LOC (12) Cl.** ..... **26-05**

(52) **U.S. Cl.**  
USPC ..... **D26/88**

(58) **Field of Classification Search**

USPC ..... D26/42, 58, 72, 75, 76, 80, 81, 88, 89,  
D26/90, 102; D10/106.8

CPC . F21V 7/043; F21V 7/045; F21V 7/05; F21V  
29/74; F21V 29/76; F21V 29/763; F21V  
29/77; F21S 8/031; F21S 8/04; F21S  
8/06; F21S 8/061; F21S 8/063

See application file for complete search history.

(56) **References Cited**

**U.S. PATENT DOCUMENTS**

D573,288 S \* 7/2008 Xu ..... D26/67  
D688,408 S \* 8/2013 Wung ..... D26/72

D690,453 S \* 9/2013 Guercio ..... D26/72  
D702,867 S \* 4/2014 Kim ..... D26/72  
D764,094 S \* 8/2016 Zhai ..... D26/72  
D812,283 S \* 3/2018 Arndt ..... D26/88  
D842,528 S \* 3/2019 Yu ..... D26/88  
2009/0086480 A1\* 4/2009 Chen ..... F21V 7/0008  
362/235  
2011/0002124 A1\* 1/2011 Chang ..... F21V 19/001  
362/294  
2014/0021884 A1\* 1/2014 Fetterly ..... H05B 33/0854  
315/297  
2014/0347848 A1\* 11/2014 Pisavadia ..... F21S 8/06  
362/190

\* cited by examiner

*Primary Examiner* — Cathron C Brooks

(57) **CLAIM**

The ornamental design for a ceiling light, as shown and described.

**DESCRIPTION**

FIG. 1 is a front elevational view of a ceiling light showing our new design;

FIG. 2 is a rear elevational view thereof;

FIG. 3 is a left side view thereof;

FIG. 4 is a right side view thereof;

FIG. 5 is a top plan view thereof;

FIG. 6 is a bottom plan view thereof;

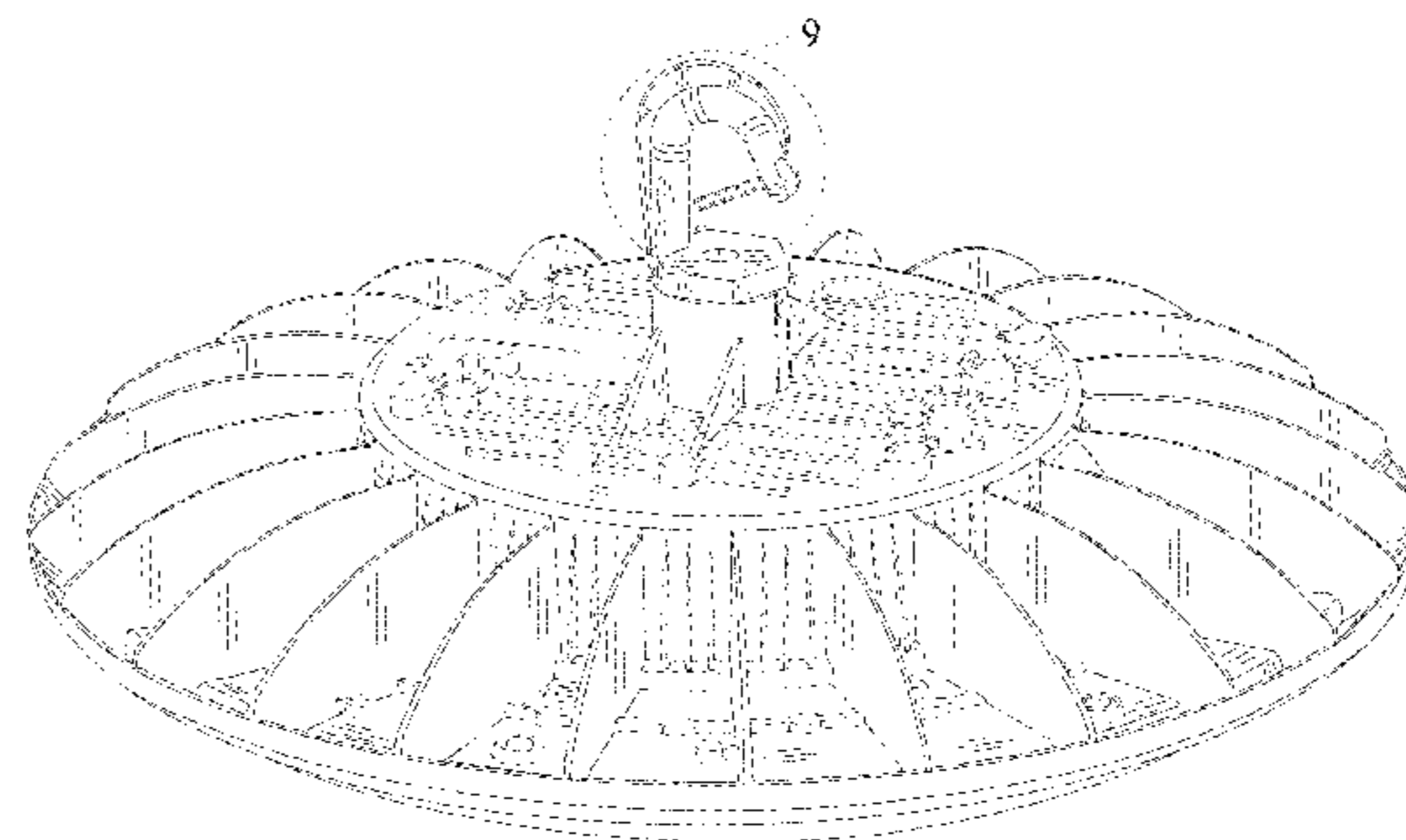
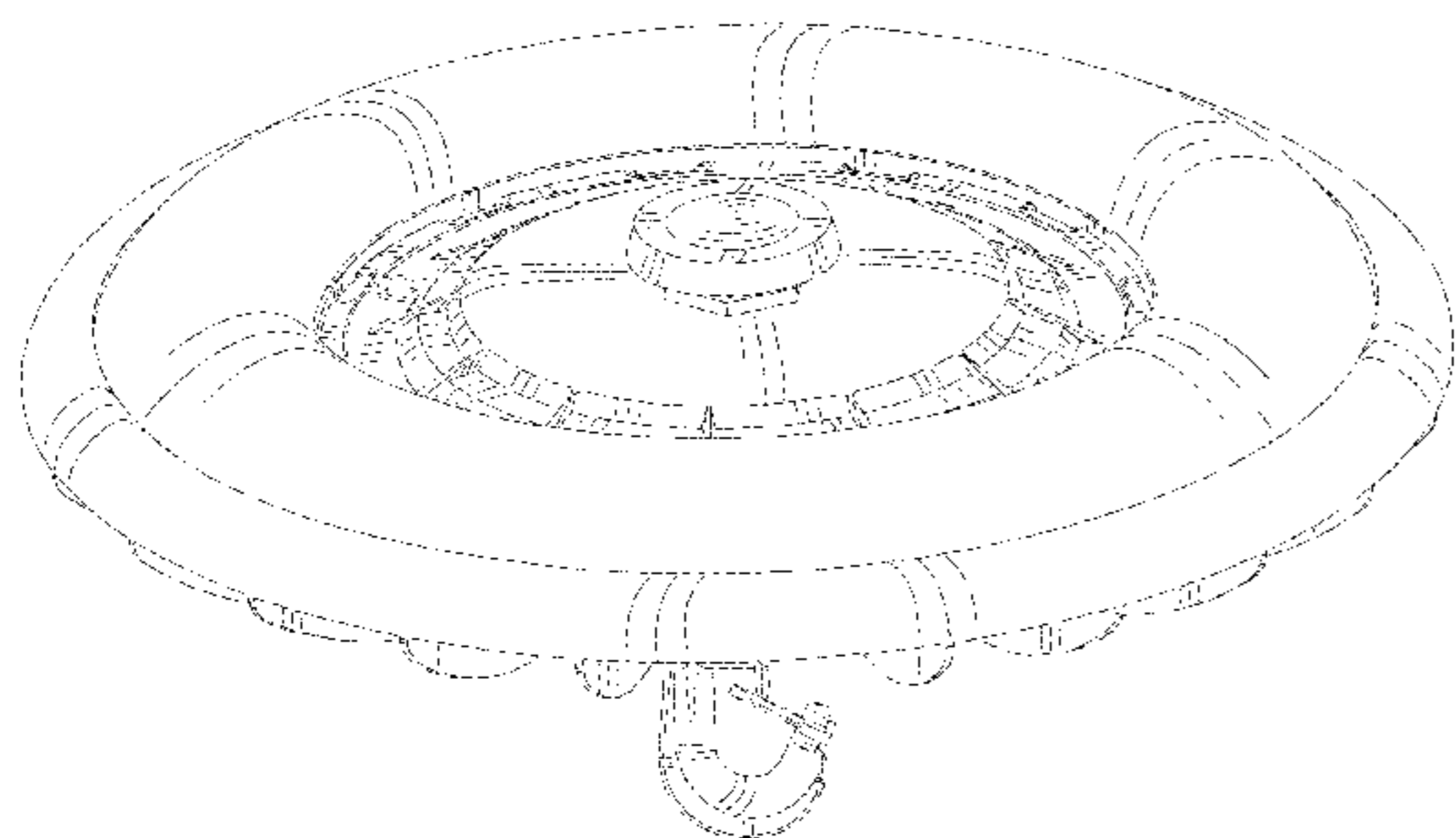
FIG. 7 is a top perspective view thereof;

FIG. 8 is a bottom perspective view thereof; and,

FIG. 9 is an enlarged view of portion 9 in FIG. 8.

The broken lines in the drawings illustrate portions of the ceiling light which form no part of the claimed design.

**1 Claim, 9 Drawing Sheets**



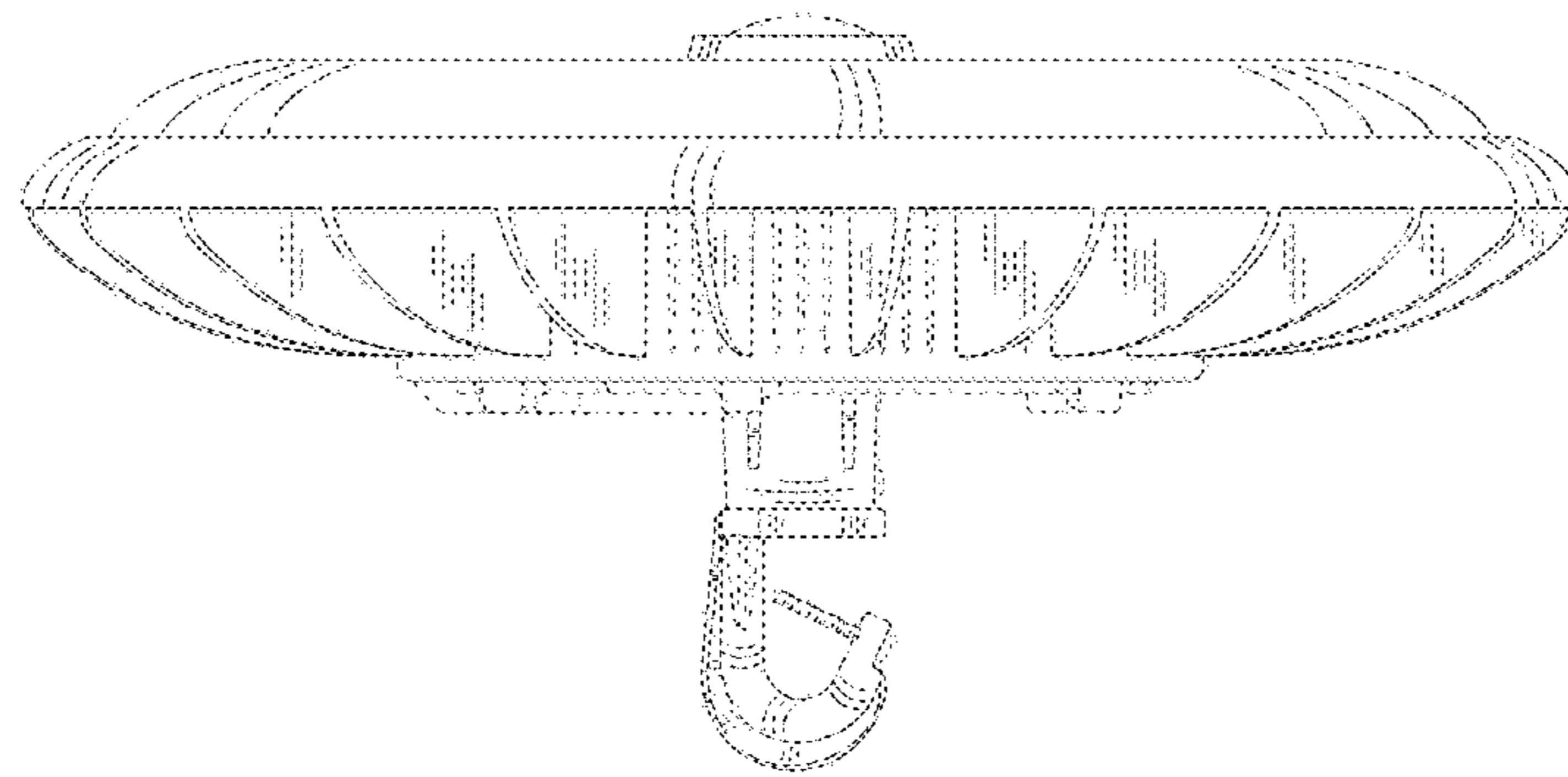


Fig. 1

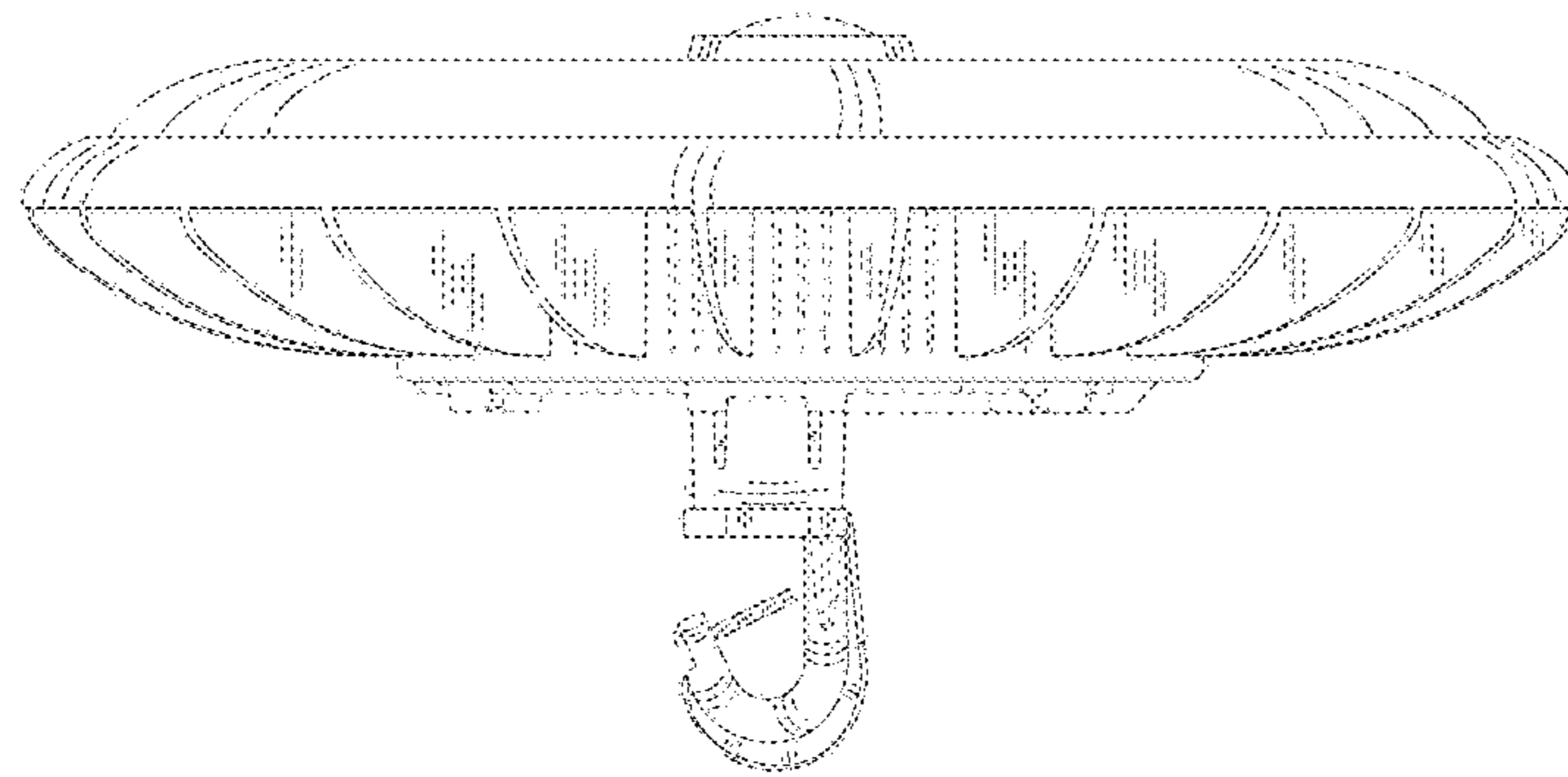


Fig. 2

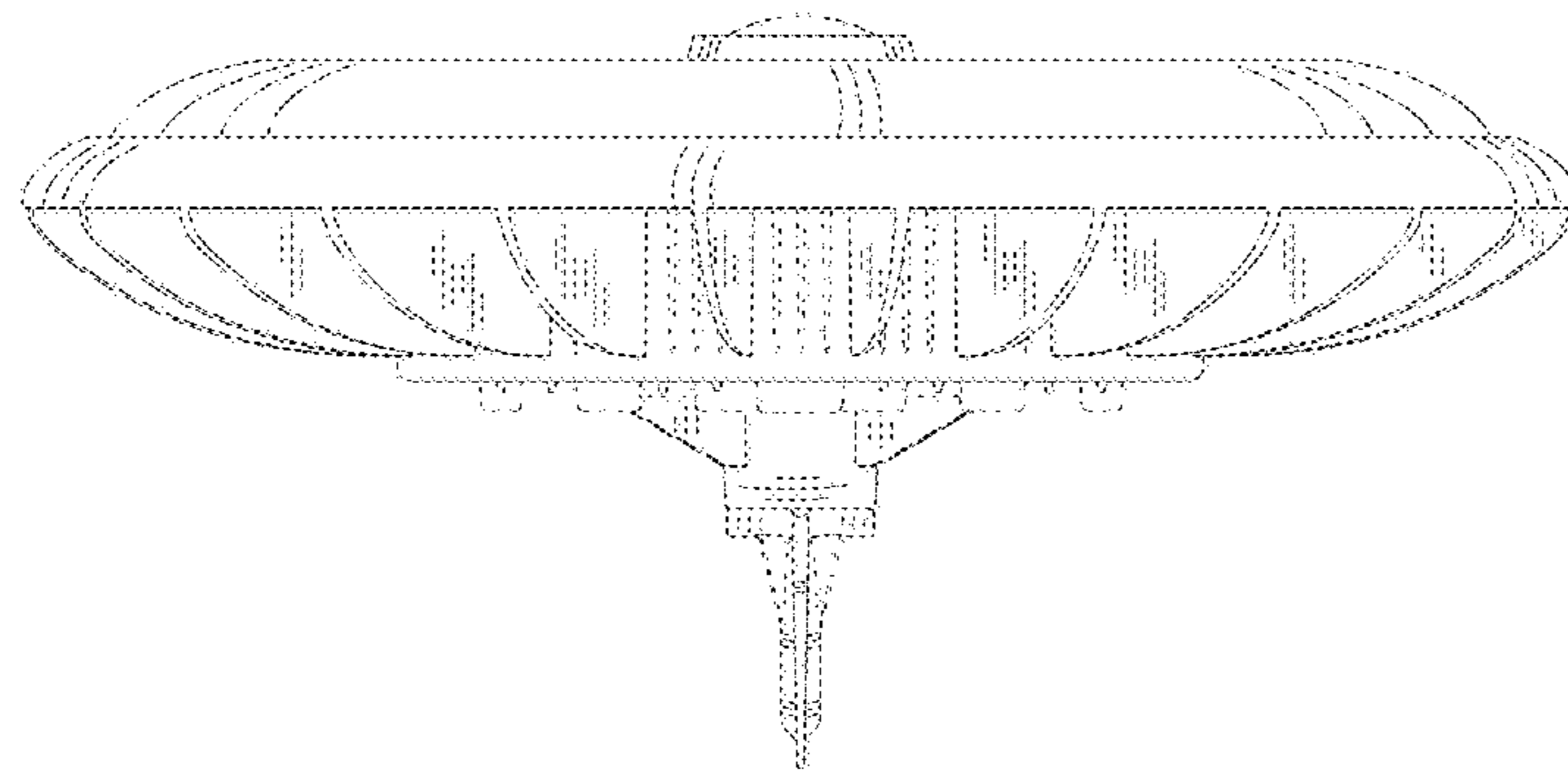


Fig. 3

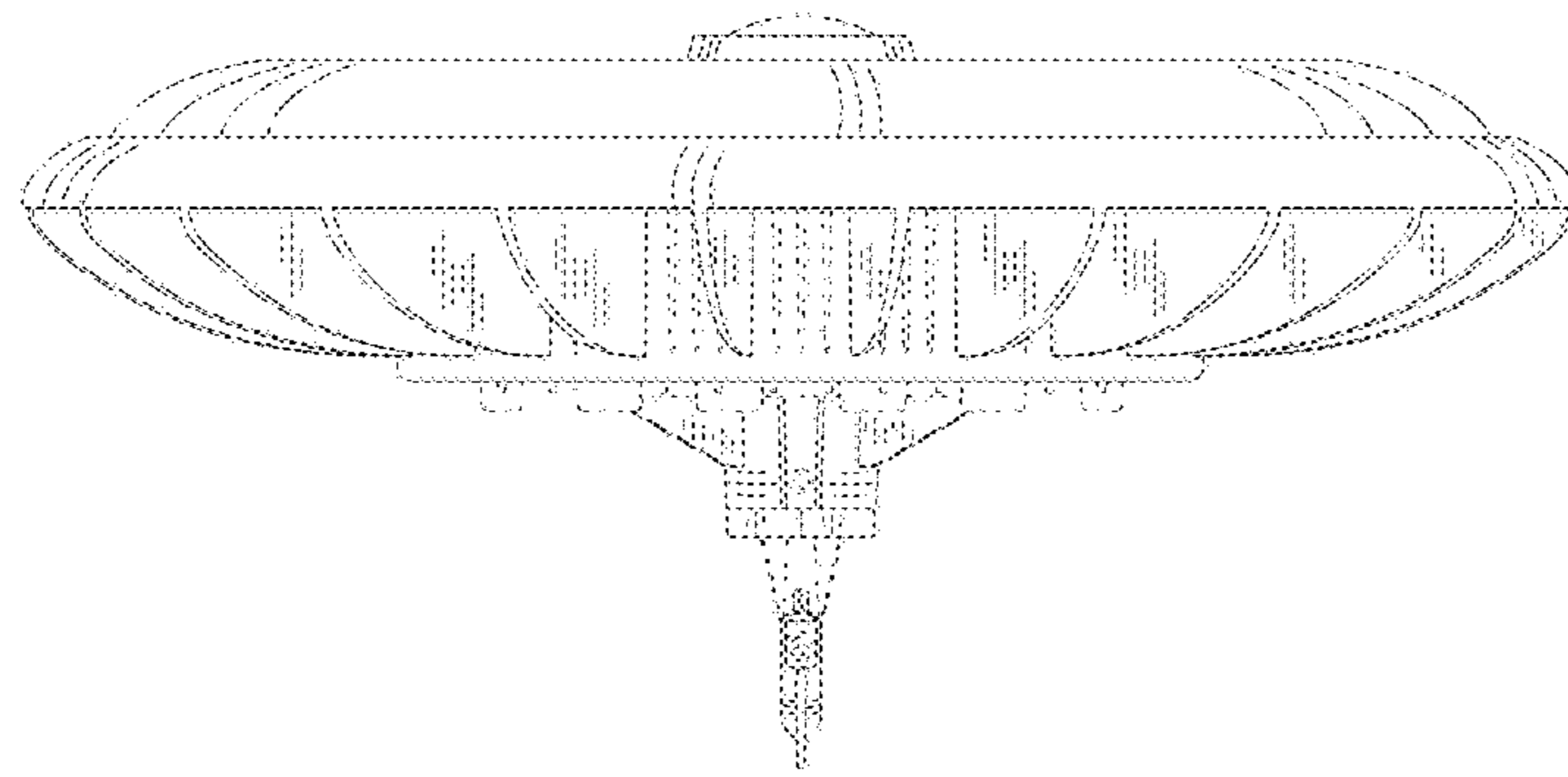


Fig. 4

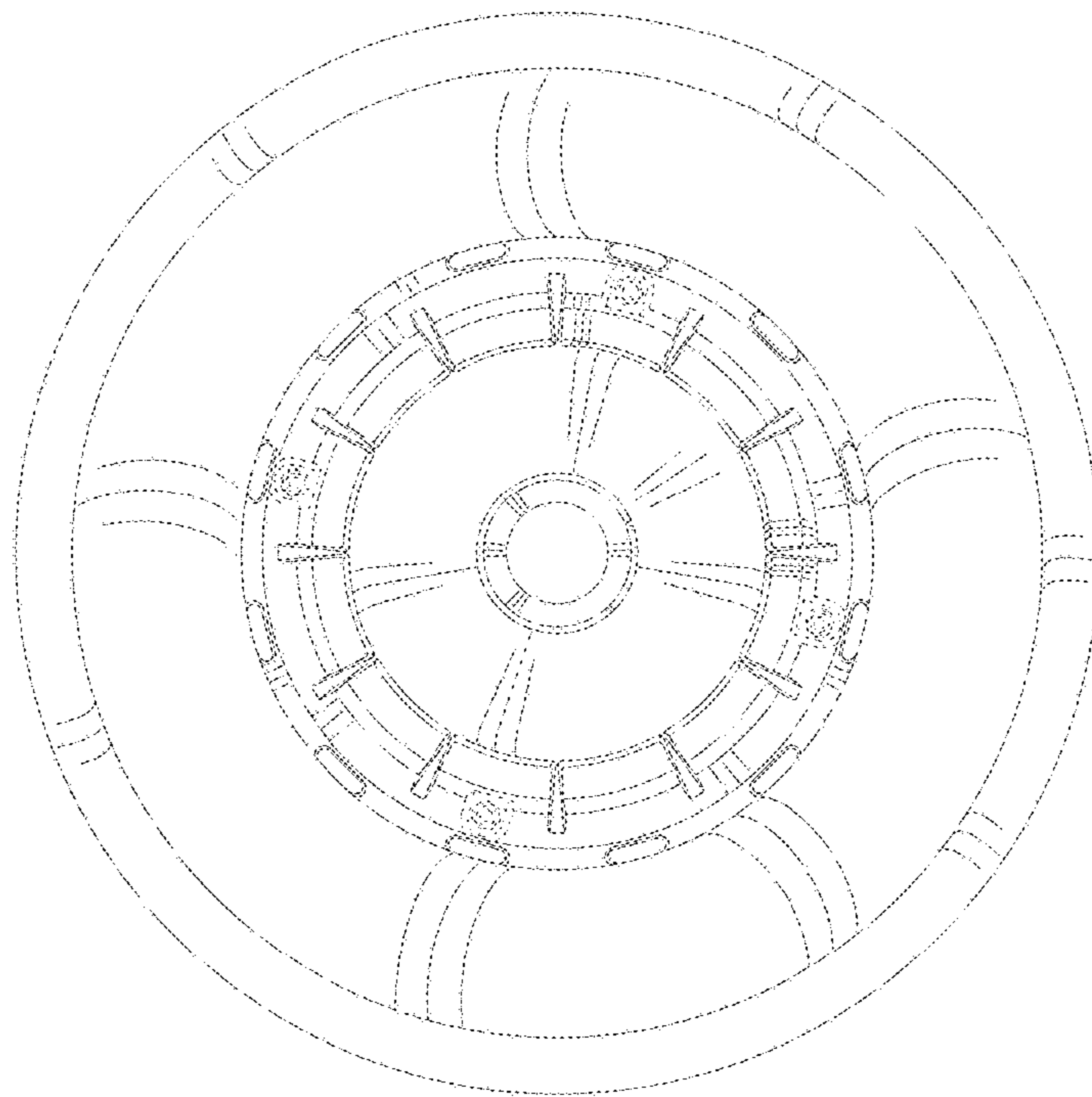


Fig. 5

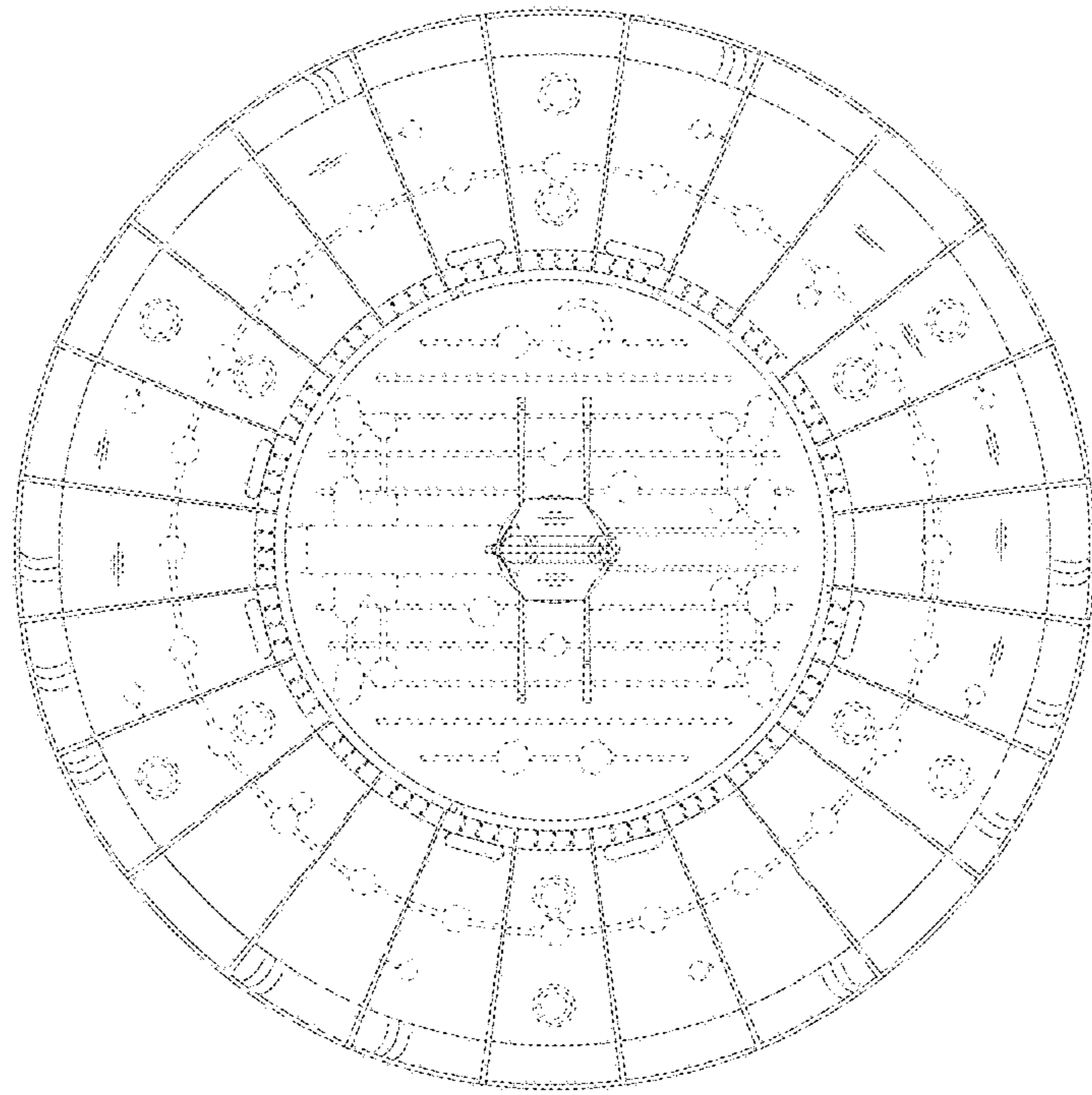


Fig. 6



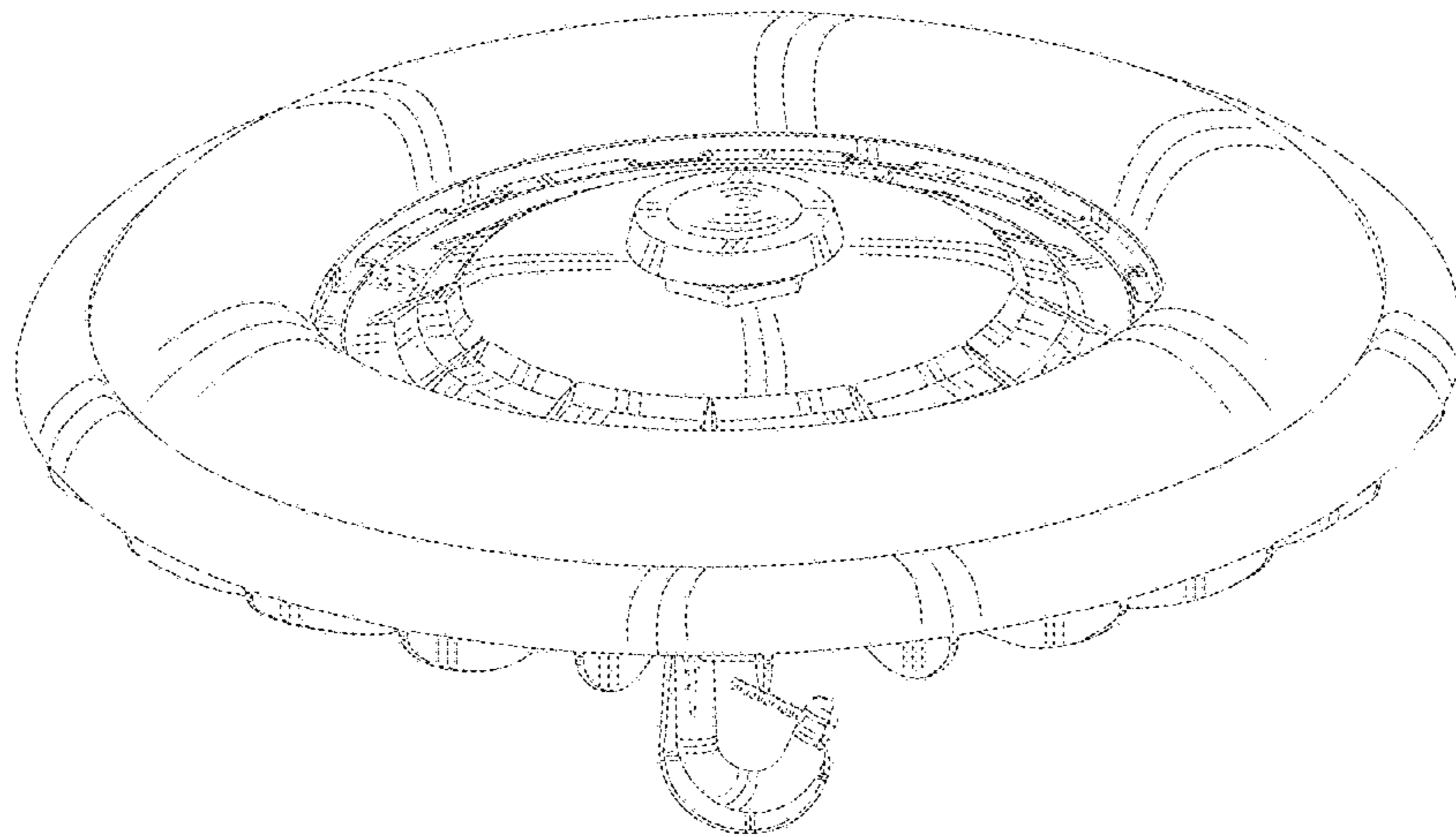


Fig. 7



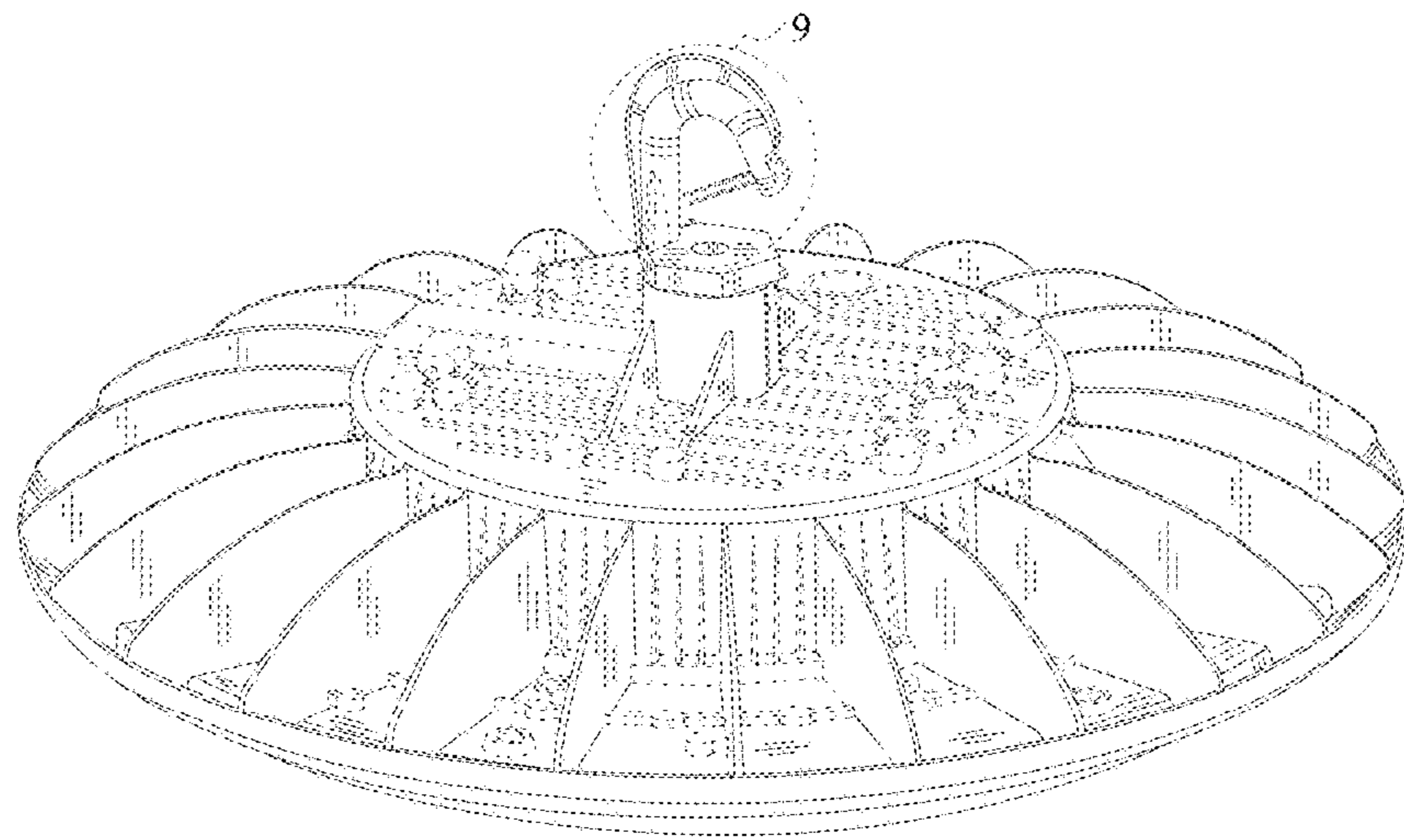


Fig. 8

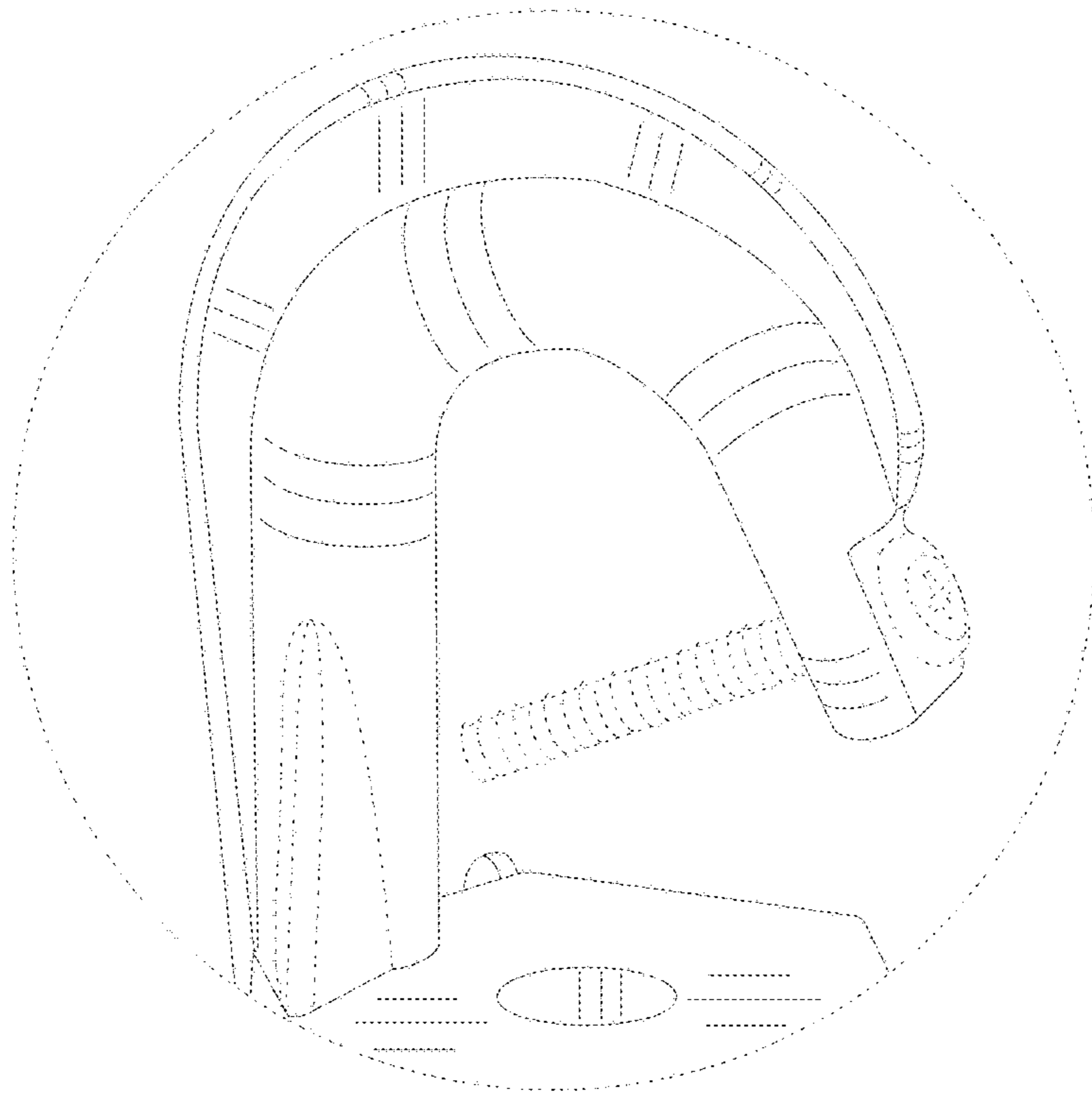


Fig. 9