

US00D859724S

(12) **United States Design Patent** (10) **Patent No.:** **US D859,724 S**
Sonneman (45) **Date of Patent:** **** Sep. 10, 2019**

(54) **LIGHT FIXTURE**

- (71) Applicant: **Contemporary Visions, LLC**,
Larchmont, NY (US)
- (72) Inventor: **Robert A. Sonneman**, Mamaroneck,
NY (US)
- (73) Assignee: **Contemporary Visions, LLC**,
Larchmont, NY (US)
- (**) Term: **15 Years**
- (21) Appl. No.: **29/674,246**
- (22) Filed: **Dec. 20, 2018**
- (51) **LOC (12) Cl.** **26-03**
- (52) **U.S. Cl.**
USPC **D26/84; D26/90**
- (58) **Field of Classification Search**
USPC D26/72, 80, 81, 82, 84, 85, 86, 88, 90,
D26/91, 118
CPC F21S 8/04; F21S 8/043; F21S 8/046; F21S
8/06; F21S 8/063; F21S 8/065; F21S
8/066; F21S 8/068
See application file for complete search history.

(56) **References Cited**

U.S. PATENT DOCUMENTS

D220,206 S *	3/1971	Hamburger	D26/75
D565,779 S *	4/2008	Meise	D26/84
D576,336 S *	9/2008	Bourotte	D26/83
D598,602 S *	8/2009	Laarman	D26/84
D635,709 S *	4/2011	Federico	D26/84
D647,661 S *	10/2011	Steenhoudt	D26/84
D773,719 S *	12/2016	Sonneman	D26/90
D799,736 S *	10/2017	Hendifar	D26/88
D841,867 S *	2/2019	Lee	D26/88
2017/0030561 A1 *	2/2017	Dix	F21S 2/005
2017/0198872 A1 *	7/2017	Sonneman	F21S 8/063
2018/0128467 A1 *	5/2018	Sonneman	F21S 2/005

OTHER PUBLICATIONS

LED Pendant Luminaires for catenary systems by BEGA. Found at bega.com, visited Apr. 9, 2019. (Year: 2019).*

* cited by examiner

Primary Examiner — Clare E Heflin

(74) *Attorney, Agent, or Firm* — Gottlieb, Rackman & Reisman, P.C.

(57) **CLAIM**

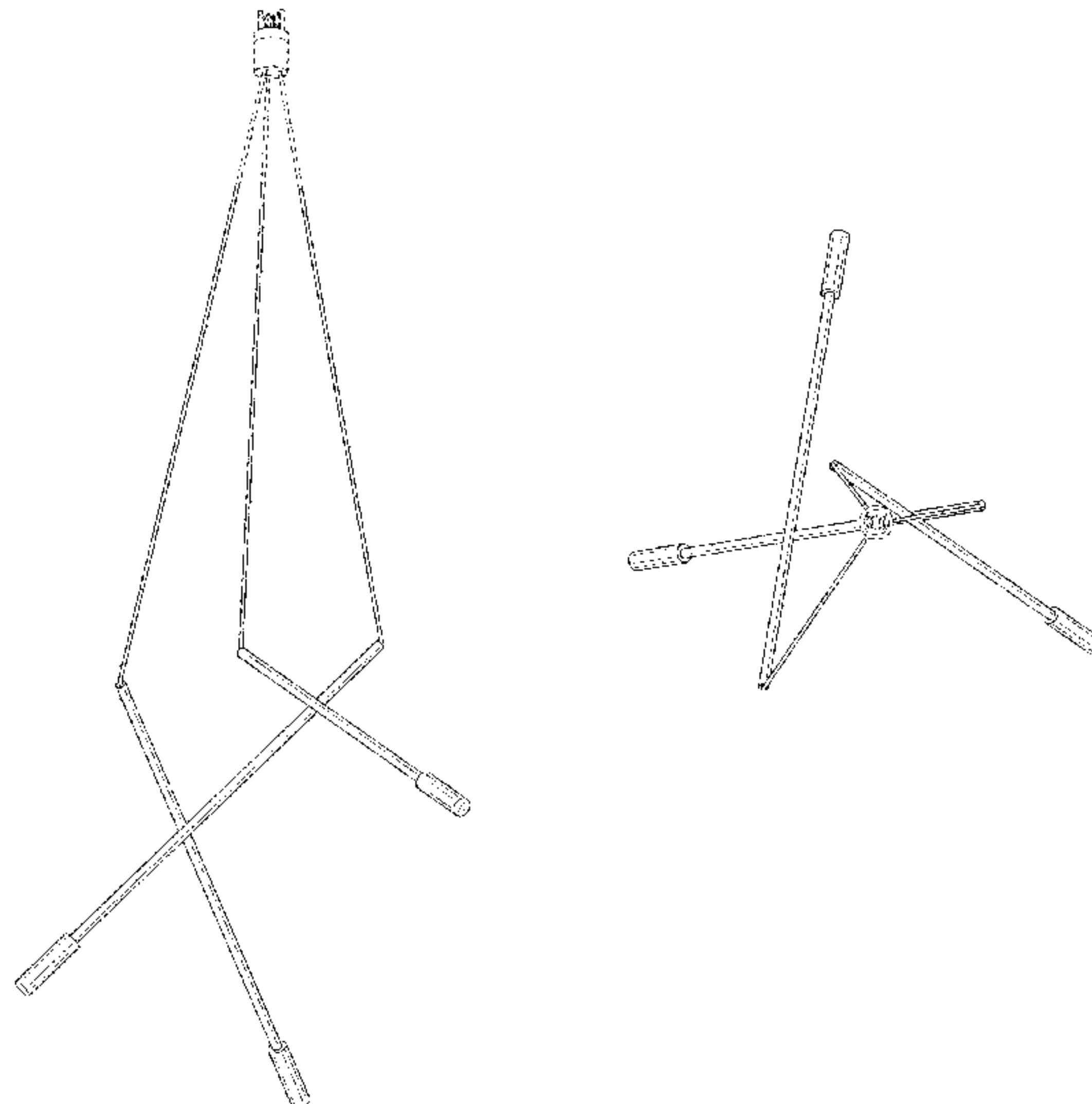
The ornamental design for a light fixture, as shown and described.

DESCRIPTION

FIG. 1 is a perspective view of an embodiment of a light fixture showing my new design;
 FIG. 2 is a front elevational view of FIG. 1;
 FIG. 3 is a rear elevational view of FIG. 1;
 FIG. 4 is a right side elevational view of FIG. 1;
 FIG. 5 is a left side elevational view of FIG. 1;
 FIG. 6 is a top plan view of FIG. 1;
 FIG. 7 is a bottom plan view of FIG. 1;
 FIG. 8 is a perspective view of another embodiment of a light fixture showing my new design;
 FIG. 9 is a front elevational view of FIG. 8;
 FIG. 10 is a rear elevational view of FIG. 8;
 FIG. 11 is a right side elevational view of FIG. 8;
 FIG. 12 is a left side elevational view of FIG. 8;
 FIG. 13 is a top plan view of FIG. 8; and,
 FIG. 14 is a bottom plan view of FIG. 8.

The broken lines shown in the drawings are included for the purpose of illustrating elements of the light fixture that can be suspended from a surface and form no part of the claimed design.

1 Claim, 14 Drawing Sheets



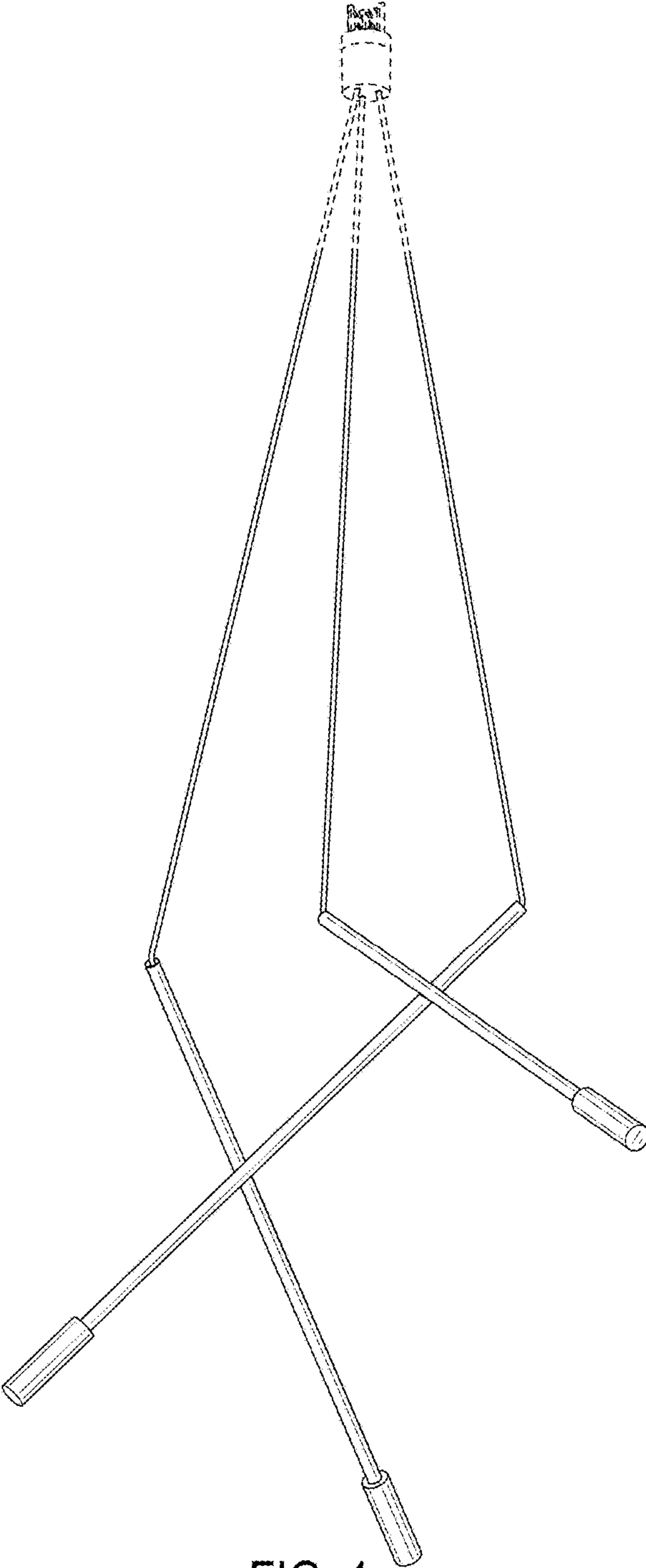


FIG. 1

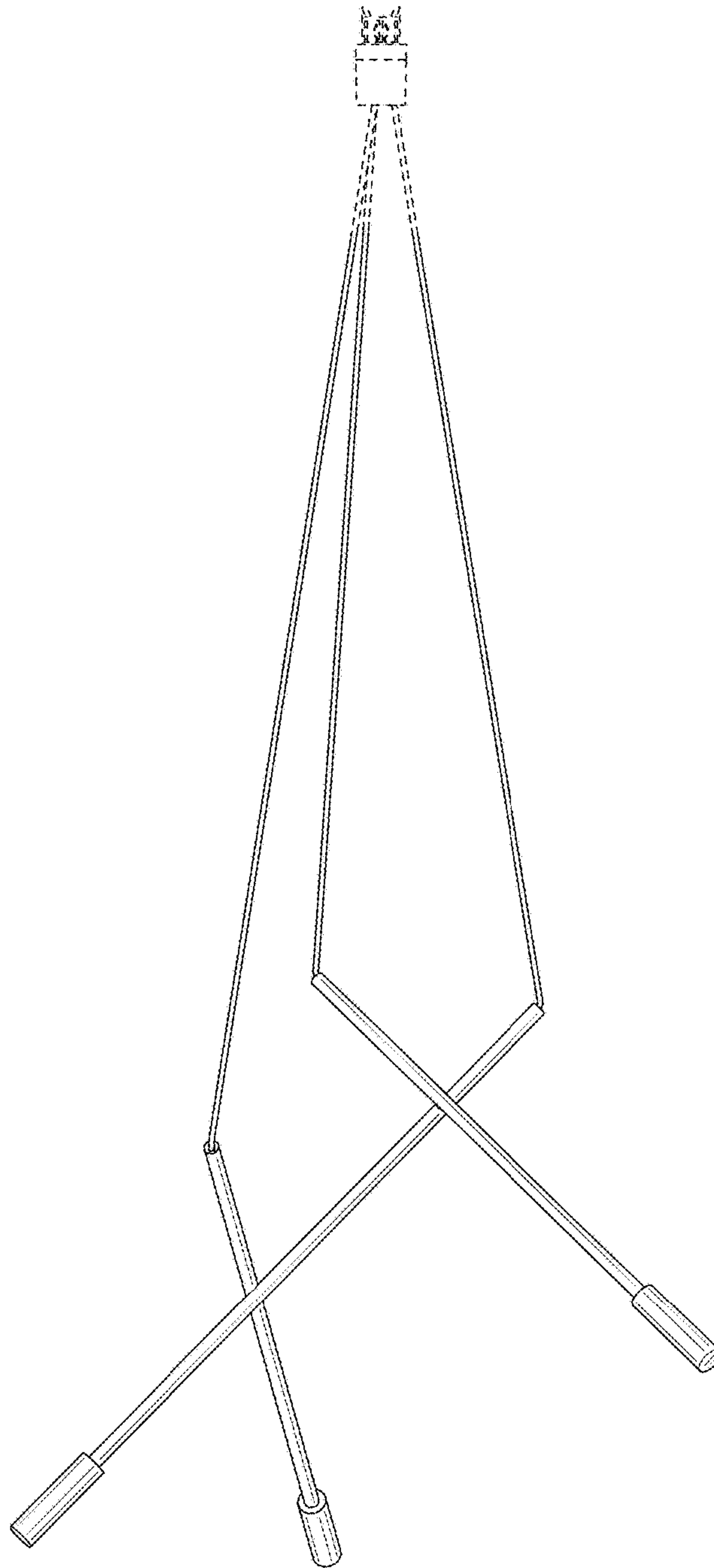


FIG. 2

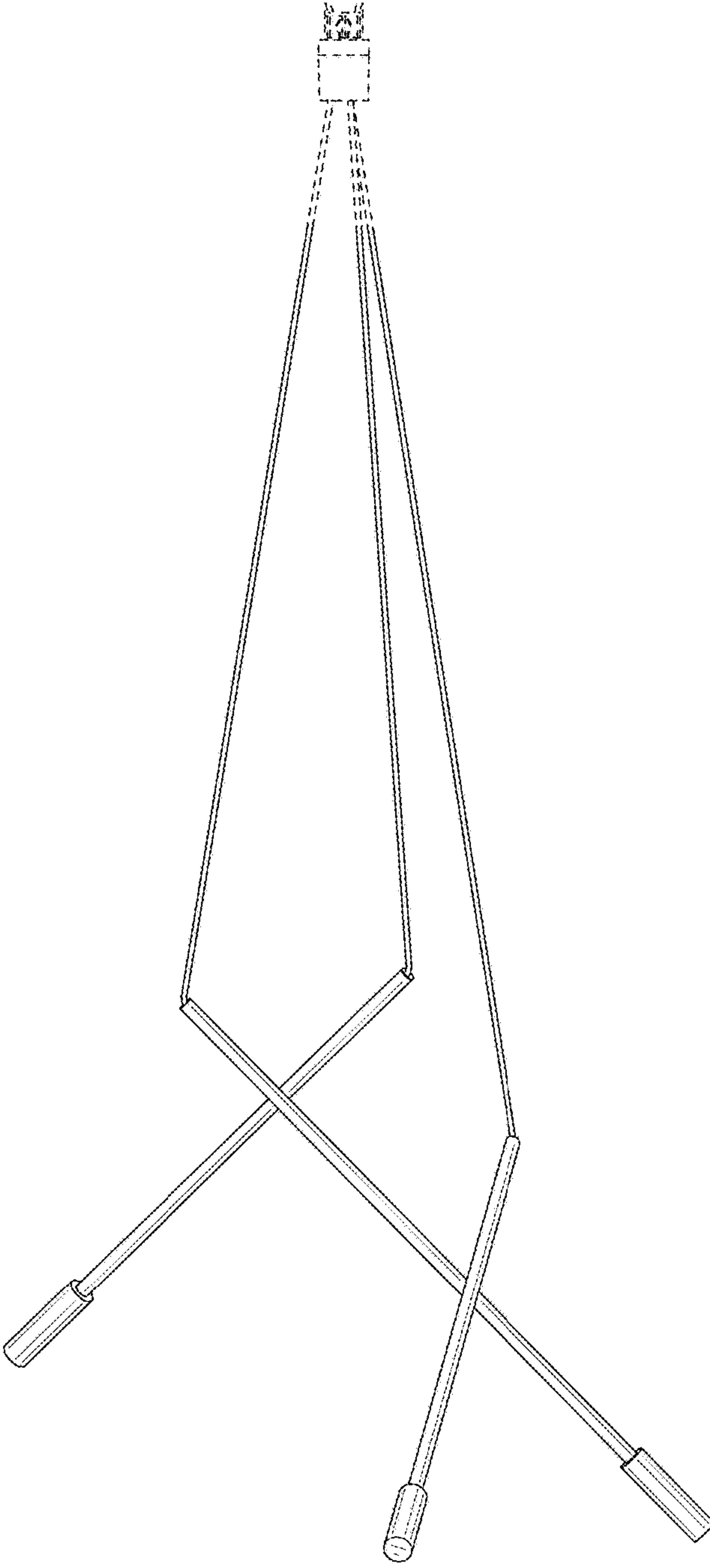


FIG. 3

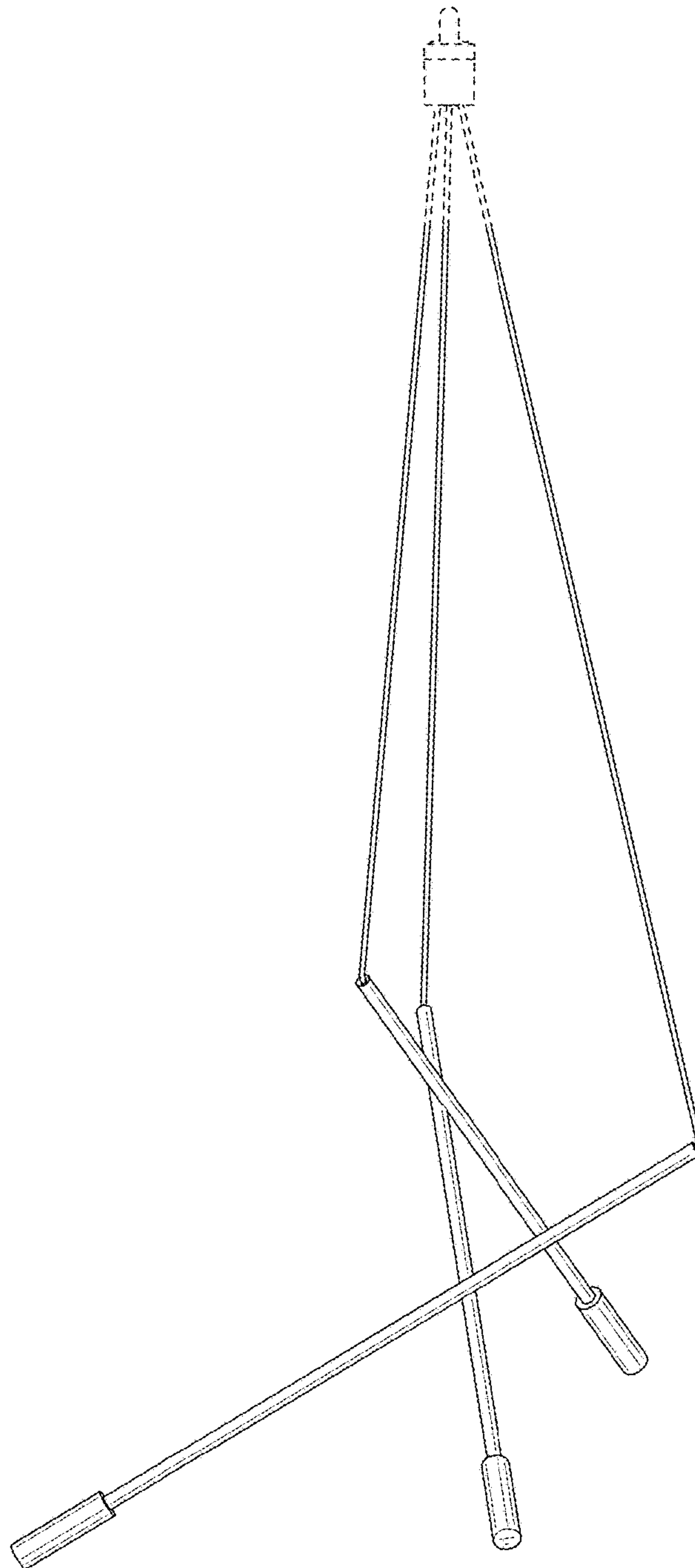


FIG. 4

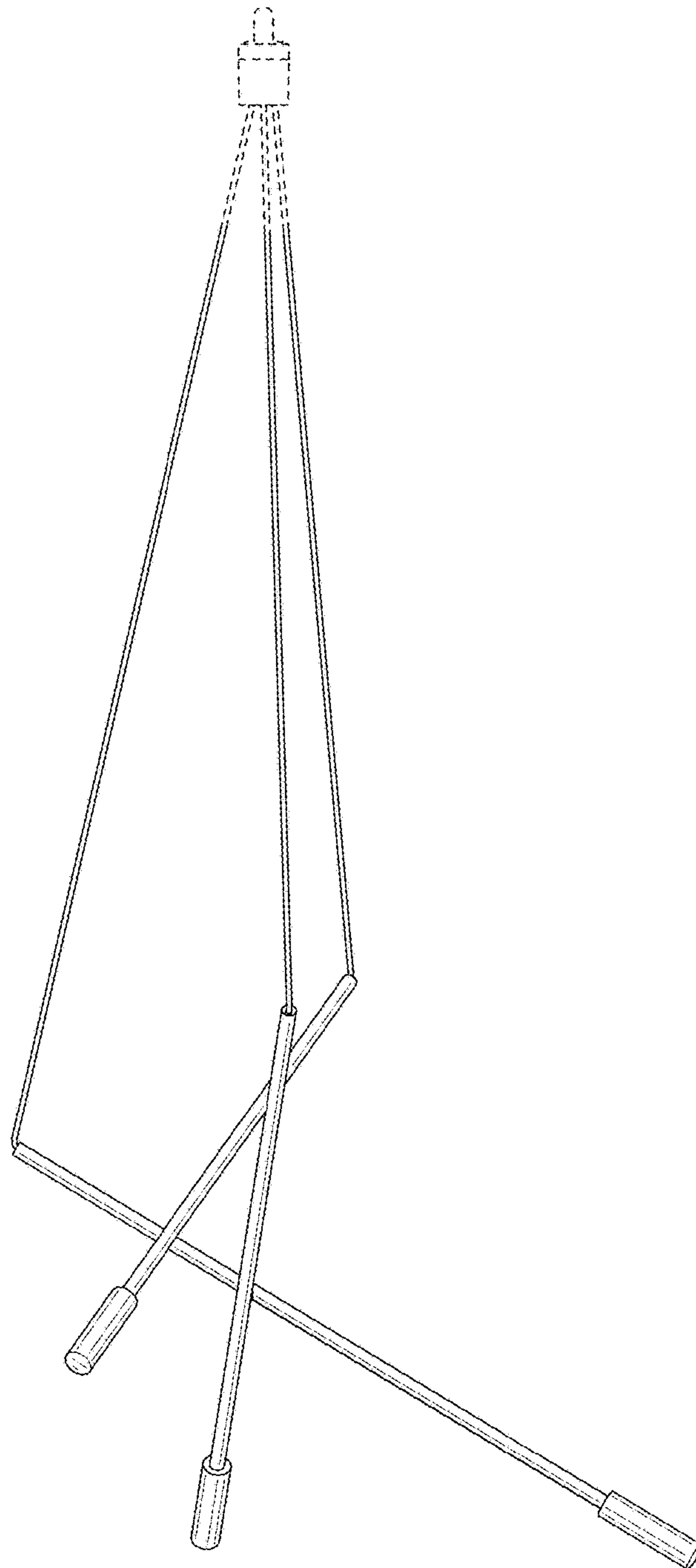


FIG. 5

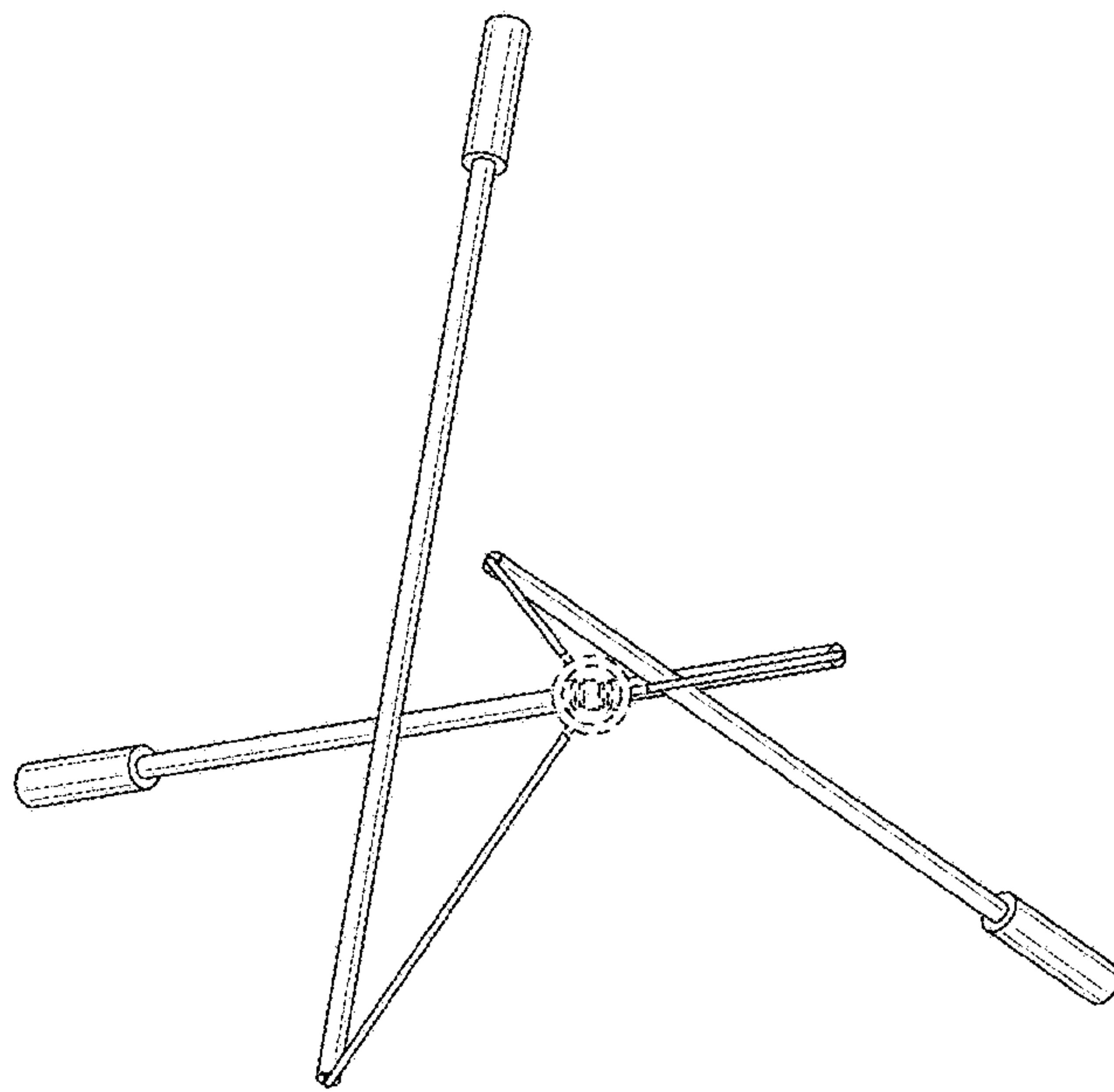


FIG. 6

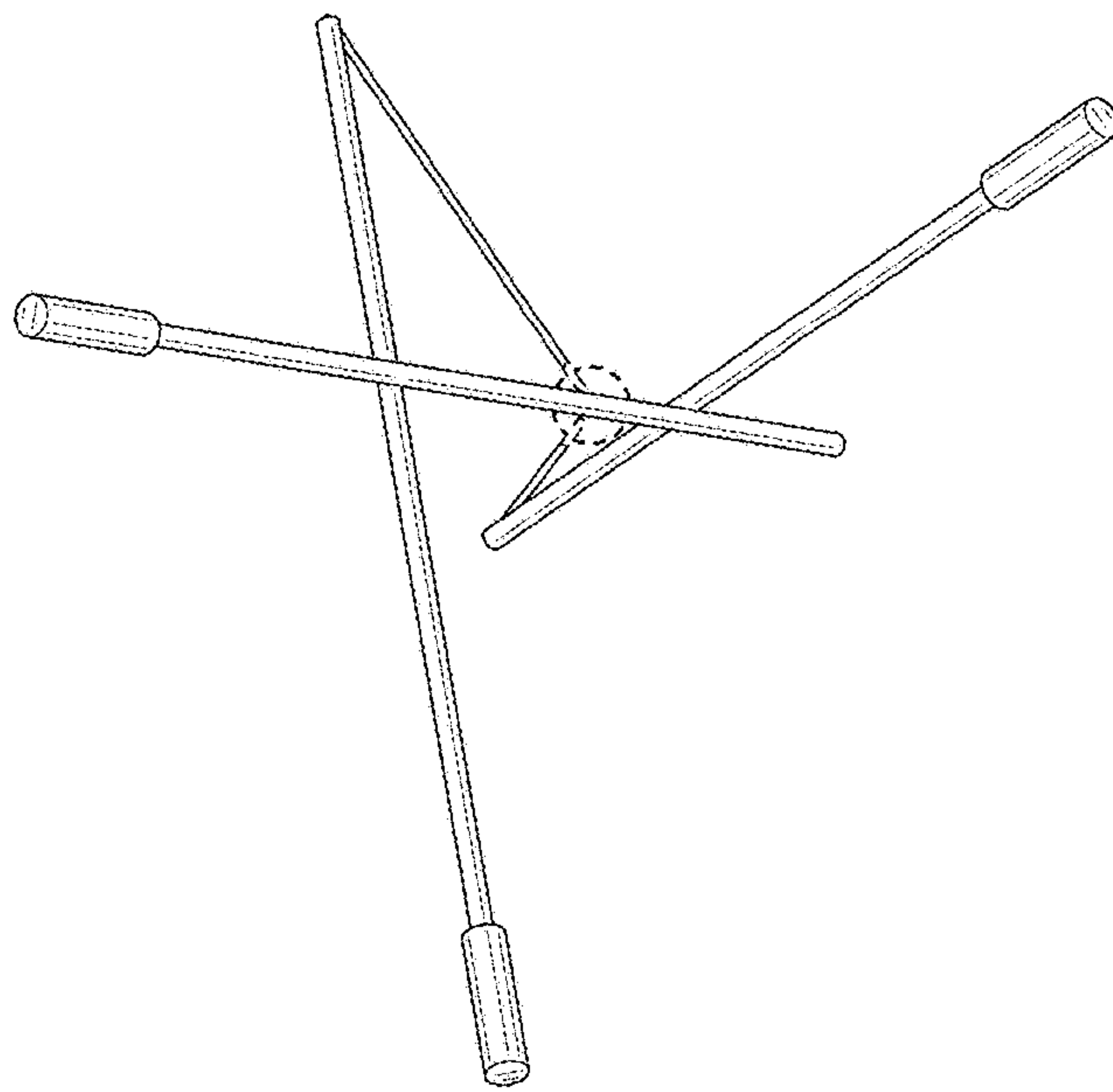


FIG. 7

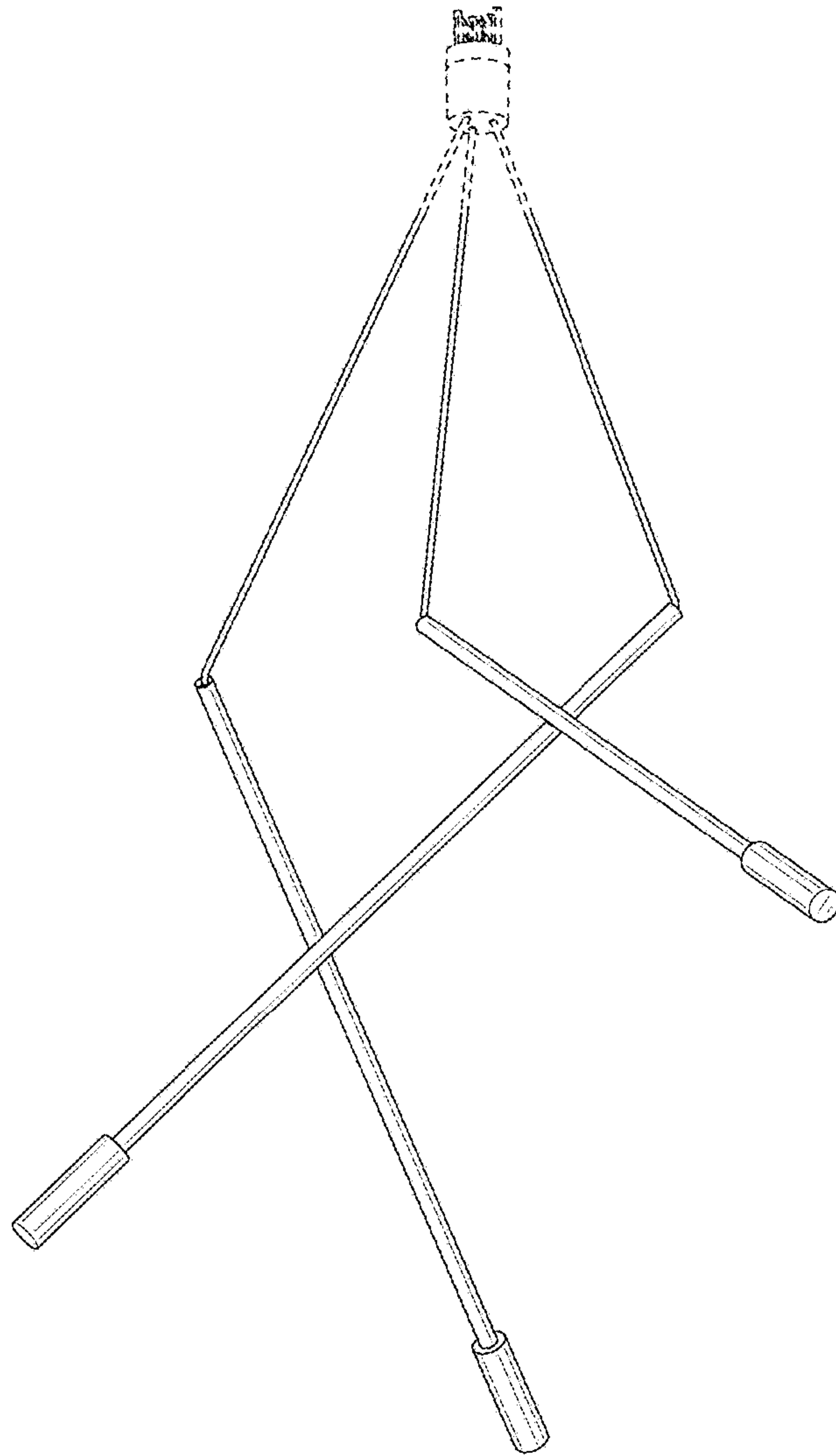


FIG. 8

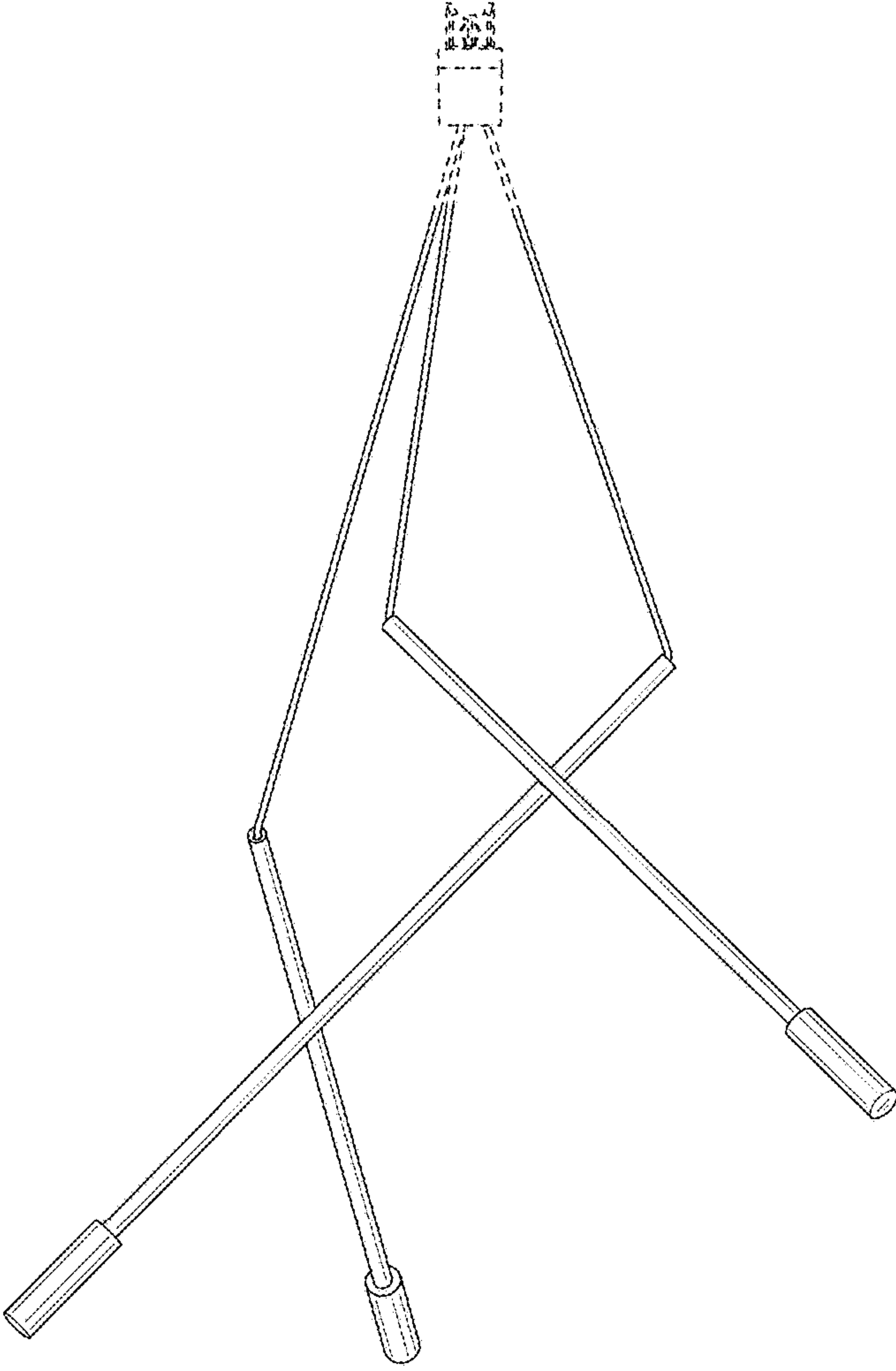


FIG. 9

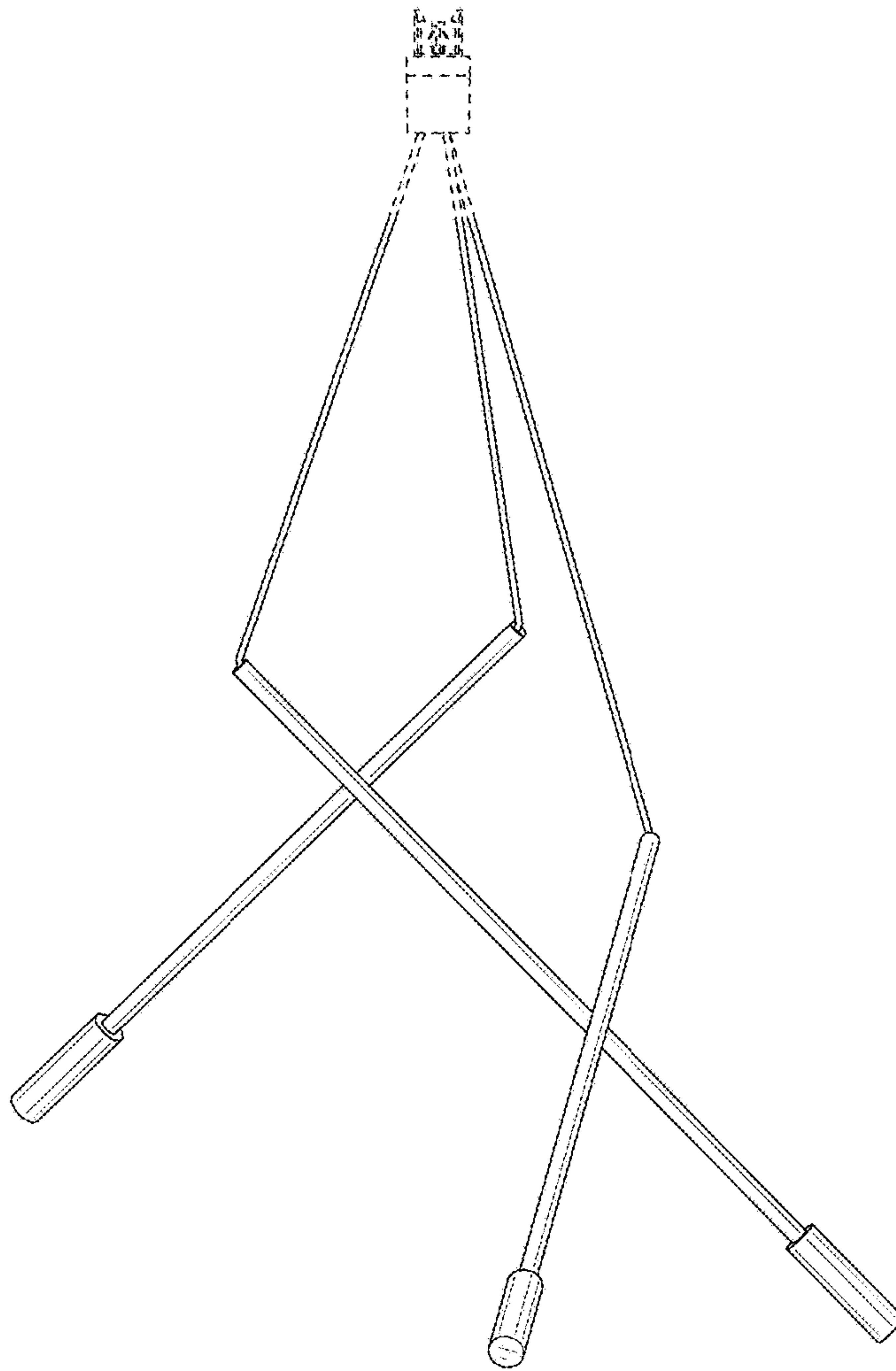


FIG. 10

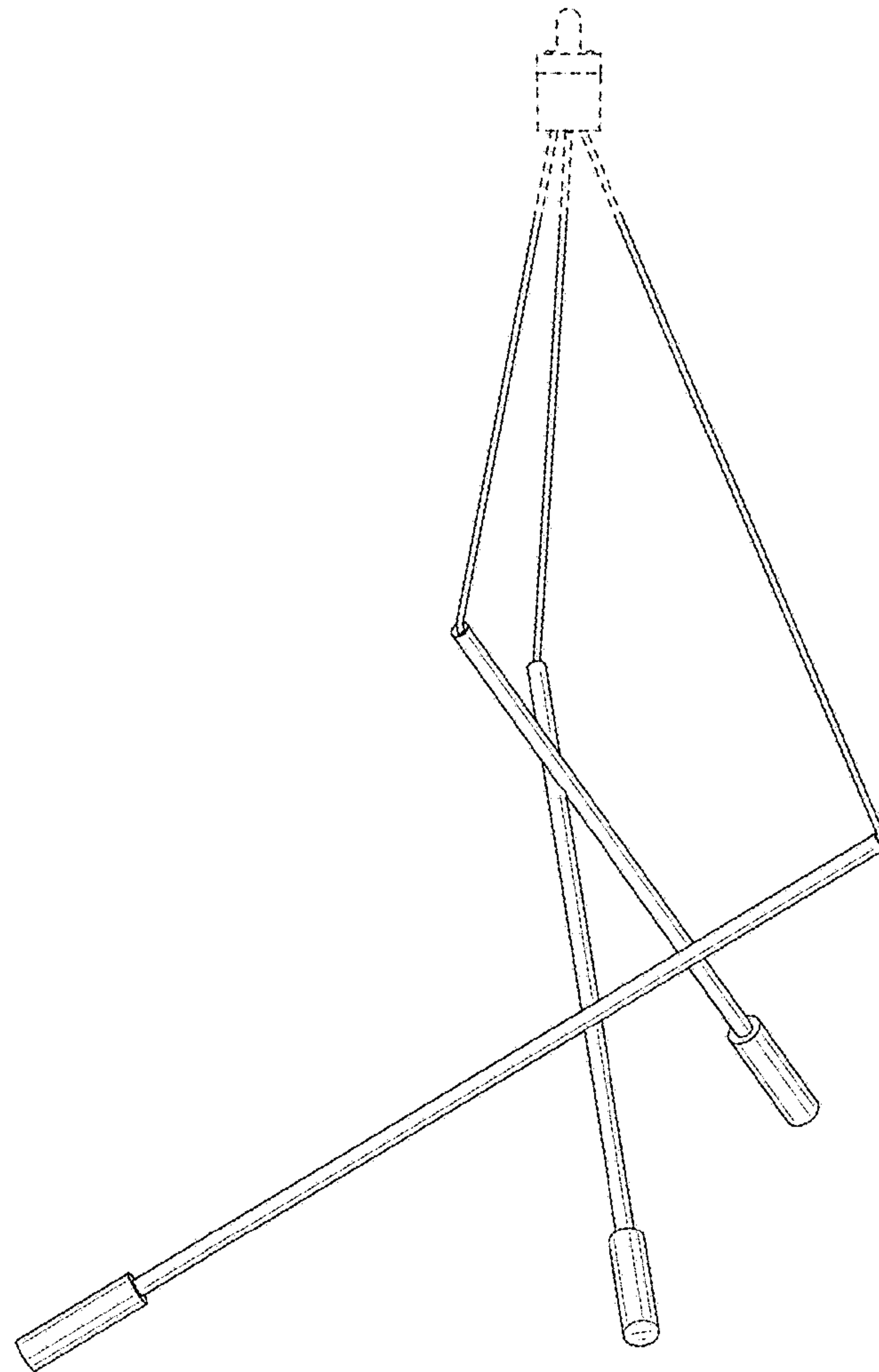


FIG. 11

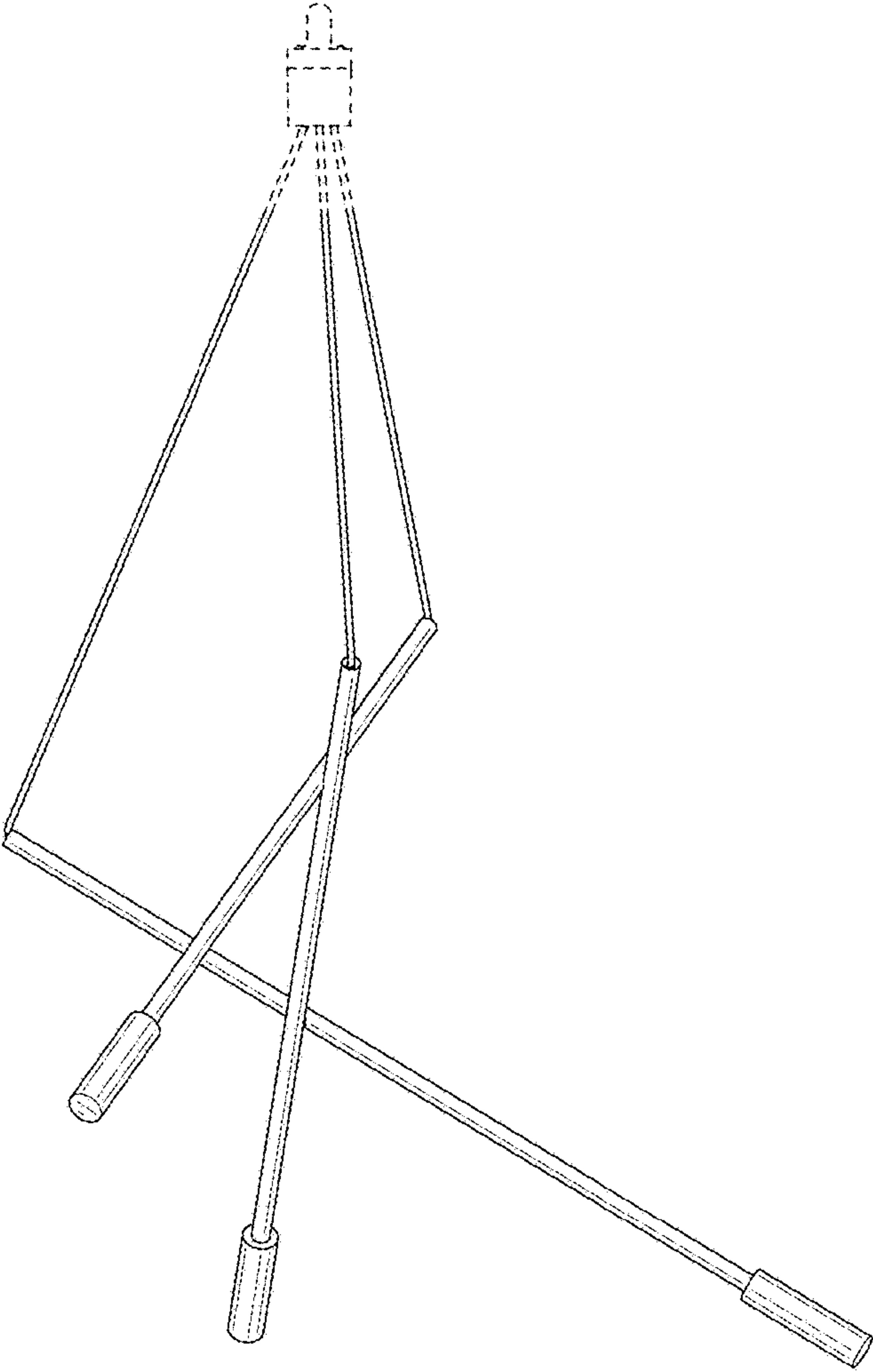


FIG. 12

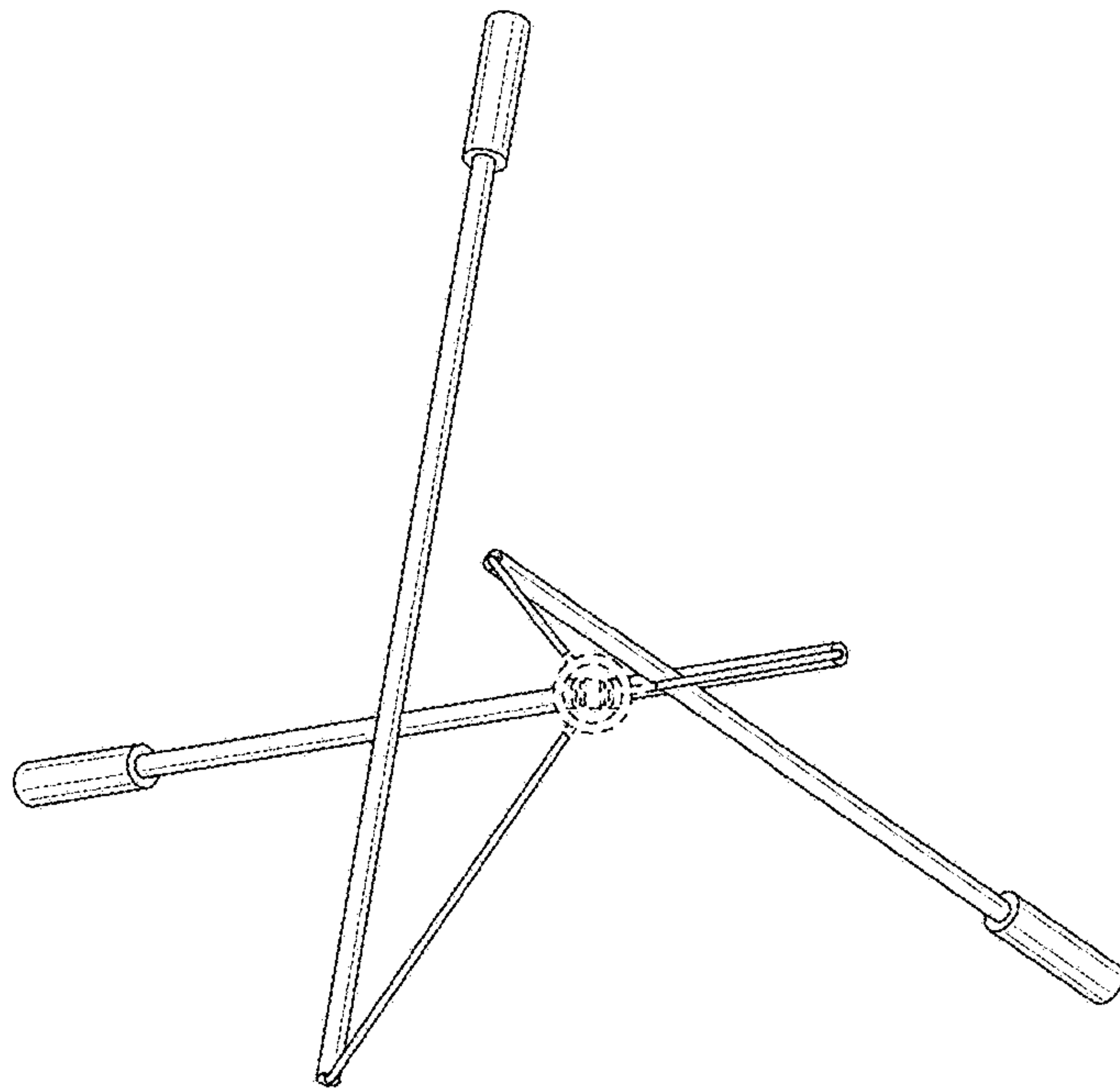


FIG. 13

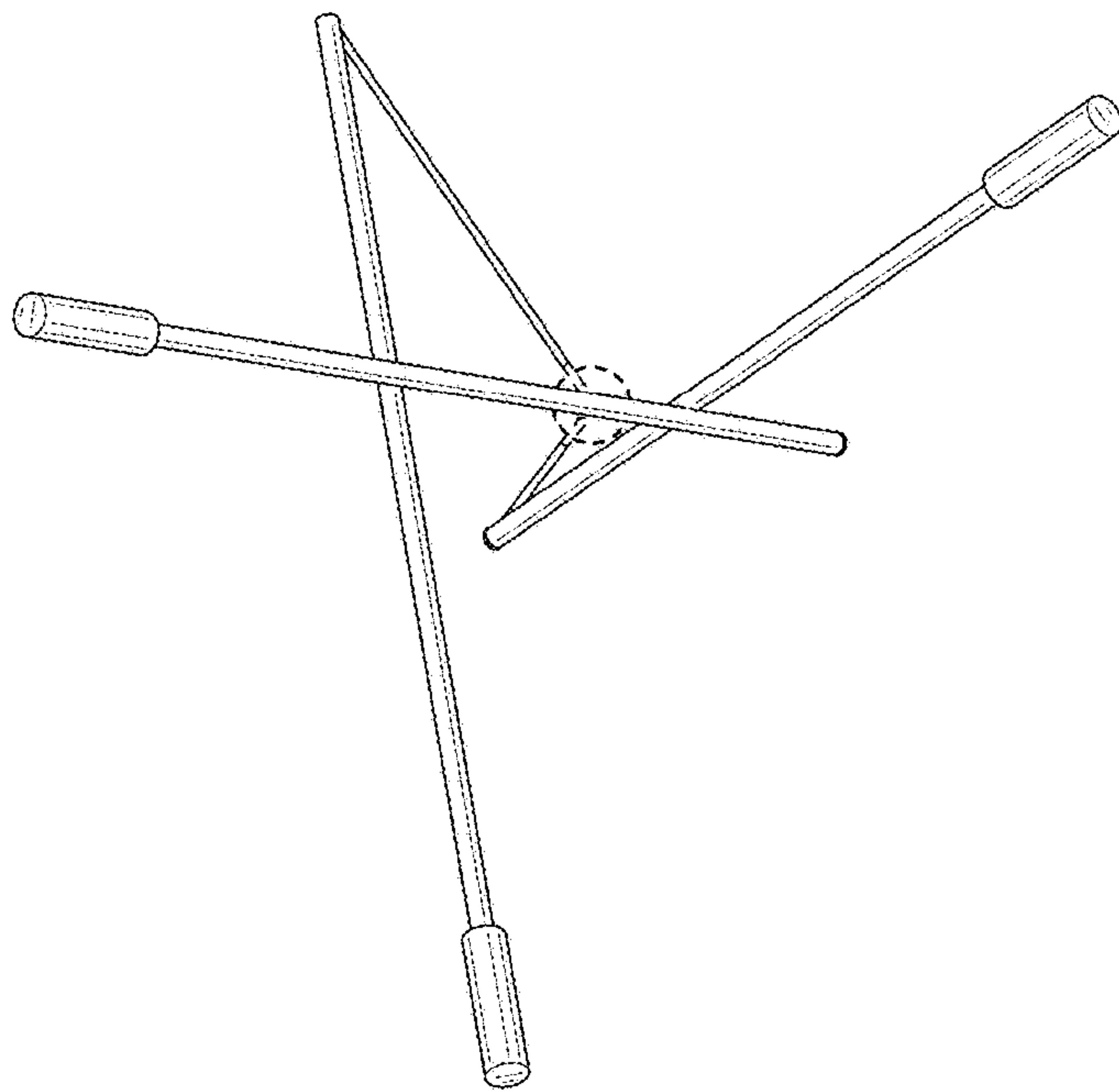


FIG. 14