



US00D859721S

(12) **United States Design Patent** (10) **Patent No.:** **US D859,721 S**  
**Velez et al.** (45) **Date of Patent:** **\*\* Sep. 10, 2019**

(54) **LIGHT FIXTURE**

(71) Applicant: **Holly Hunt Enterprises, Inc.**, Chicago, IL (US)

(72) Inventors: **Alberto Velez**, Chicago, IL (US);  
**Aaron Scott**, Chicago, IL (US)

(73) Assignee: **HOLLY HUNT ENTERPRISES, INC.**

(\*\*) Term: **15 Years**

(21) Appl. No.: **29/647,548**

(22) Filed: **May 14, 2018**

(51) **LOC (12) Cl.** ..... **26-03**

(52) **U.S. Cl.**  
USPC ..... **D26/81; D26/88**

(58) **Field of Classification Search**  
USPC ..... D26/72, 80, 81, 82, 84, 85, 86, 88, 90,  
D26/91, 118  
CPC .... F21S 8/04; F21S 8/043; F21S 8/046; F21S  
8/06; F21S 8/063; F21S 8/065; F21S  
8/066; F21S 8/068  
See application file for complete search history.

(56) **References Cited**

**U.S. PATENT DOCUMENTS**

D79,364 S *	9/1929	Hellvik	.....	B05B 17/08
				D26/90
D80,313 S *	1/1930	Hoch	.....	D26/80
D101,033 S *	9/1936	Glatthar et al.	.....	D26/81
3,212,713 A *	10/1965	Chatten	.....	B05B 17/08
				239/17
D226,532 S *	3/1973	Ishii	.....	D26/84
D235,914 S *	7/1975	Schacht	.....	D26/84
D237,001 S *	9/1975	Von Serda	.....	D11/147
D240,156 S *	6/1976	Von Serda	.....	D26/128
D241,066 S *	8/1976	Schacht	.....	D26/81
D725,306 S *	3/2015	Salvagno	.....	D26/84
D756,024 S *	5/2016	Modoni	.....	D26/118
D782,722 S *	3/2017	Kitts	.....	D26/86

**OTHER PUBLICATIONS**

Four Seasons Chandelier from Holly Hunt Enterprises. hollyhunt.com visited Apr. 11, 2019. (Year: 2019).\*

\* cited by examiner

*Primary Examiner* — Clare E Heflin

(74) *Attorney, Agent, or Firm* — The Belles Group, P.C.

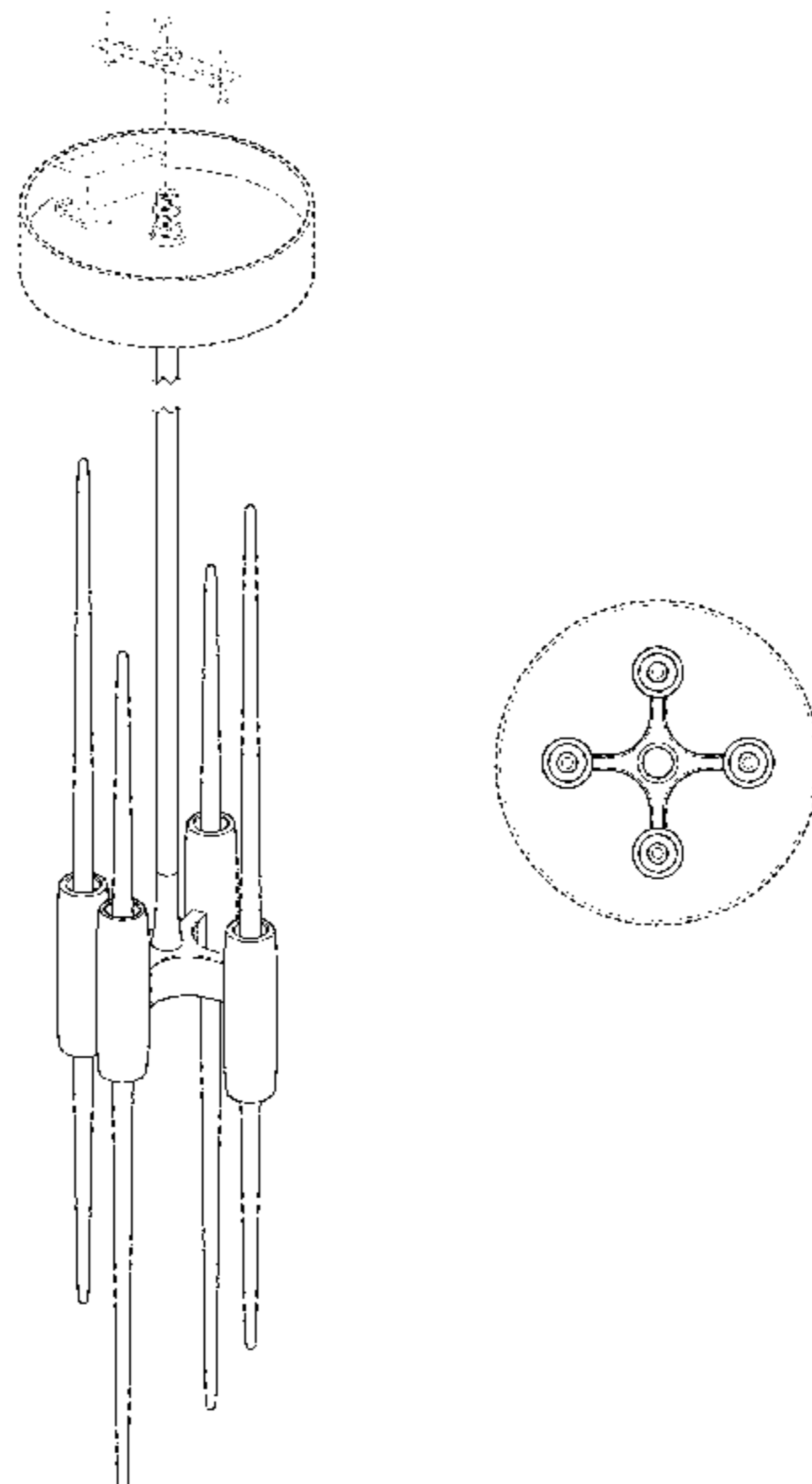
(57) **CLAIM**

The ornamental design for a light fixture, as shown and described.

**DESCRIPTION**

FIG. 1 is a top perspective view of a light fixture in accordance with the present design;  
FIG. 2 is a bottom perspective view of the light fixture illustrated in FIG. 1  
FIG. 3 is a front view of the light fixture illustrated in FIG. 1;  
FIG. 4 is a rear view of the light fixture illustrated in FIG. 1;  
FIG. 5 is a left side view of the light fixture illustrated in FIG. 1;  
FIG. 6 is a right side view of the light fixture illustrated in FIG. 1;  
FIG. 7 is a top plan view of the light fixture illustrated in FIG. 1; and,  
FIG. 8 is a bottom plan view of the light fixture illustrated in FIG. 1.  
The broken lines depict portions of the article that form no part of the claimed design.  
The break lines shown on the central support member indicate that the appearance of any portion of the article between the break lines forms no part of the claimed design.

**1 Claim, 5 Drawing Sheets**



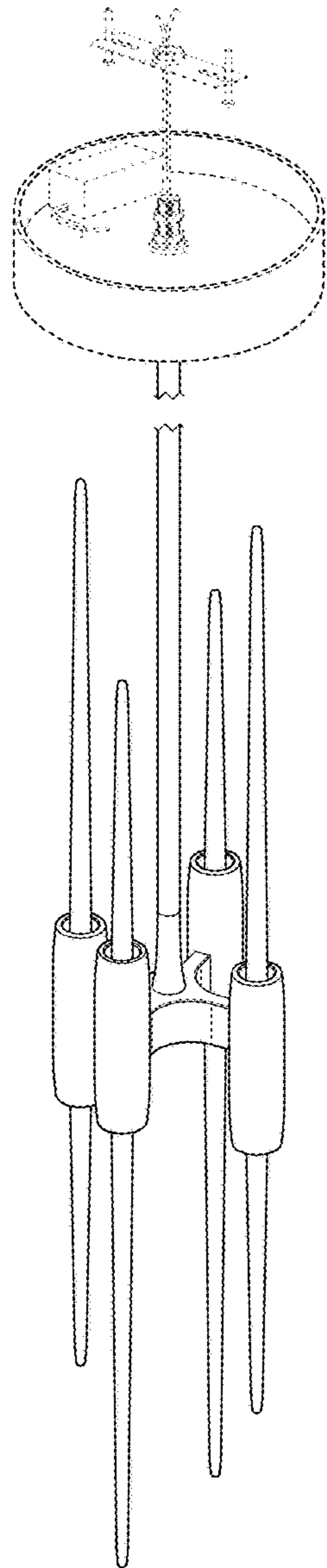


FIG. 1

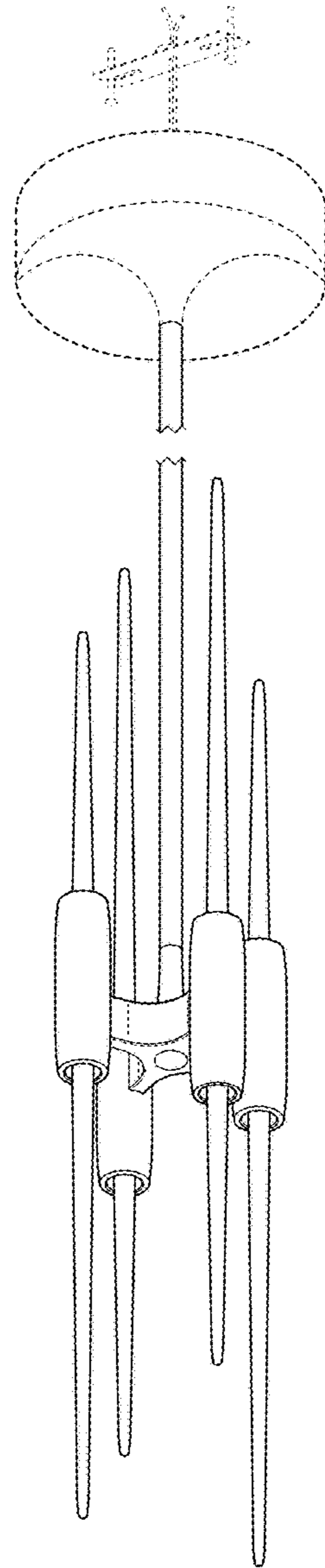


FIG. 2

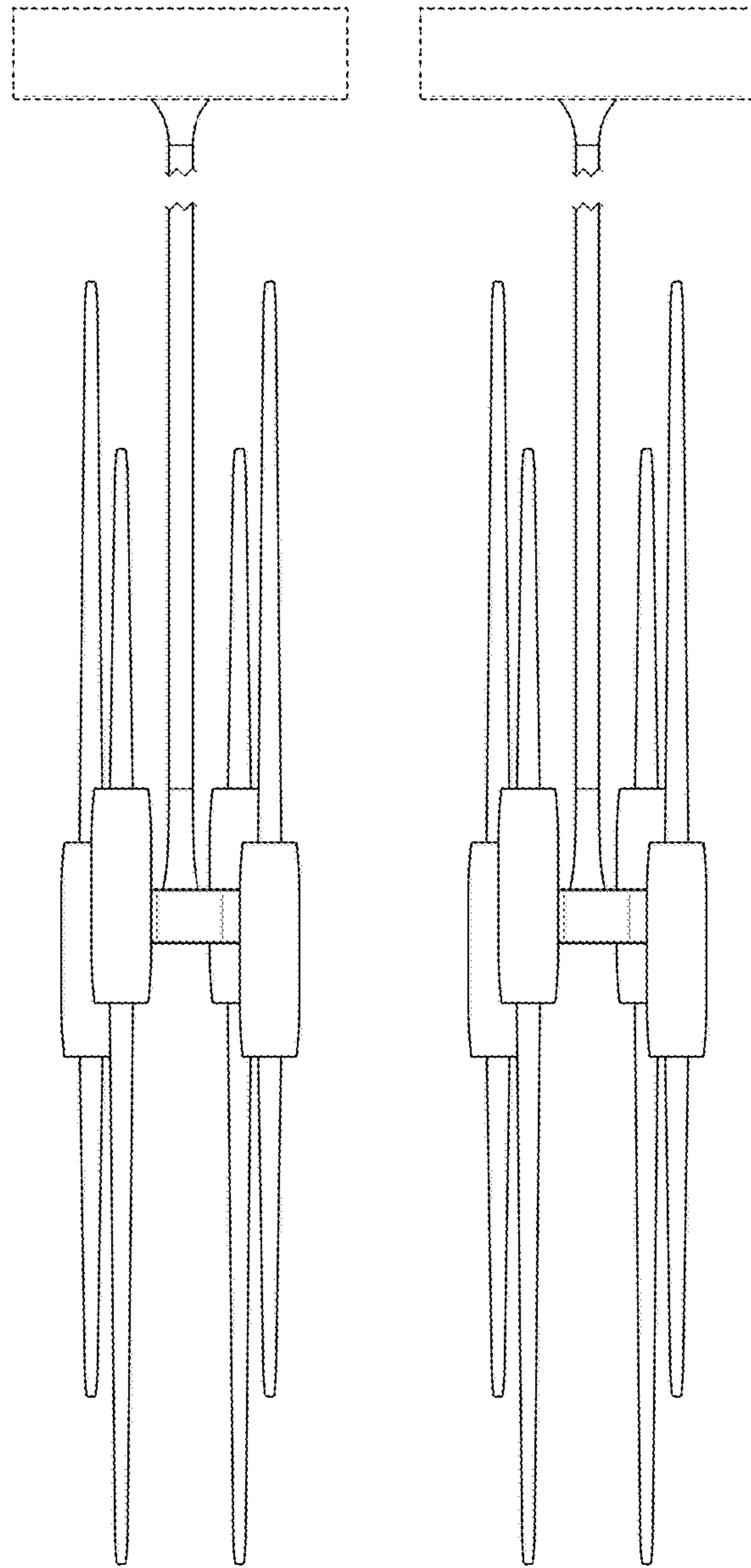


FIG. 3

FIG. 4

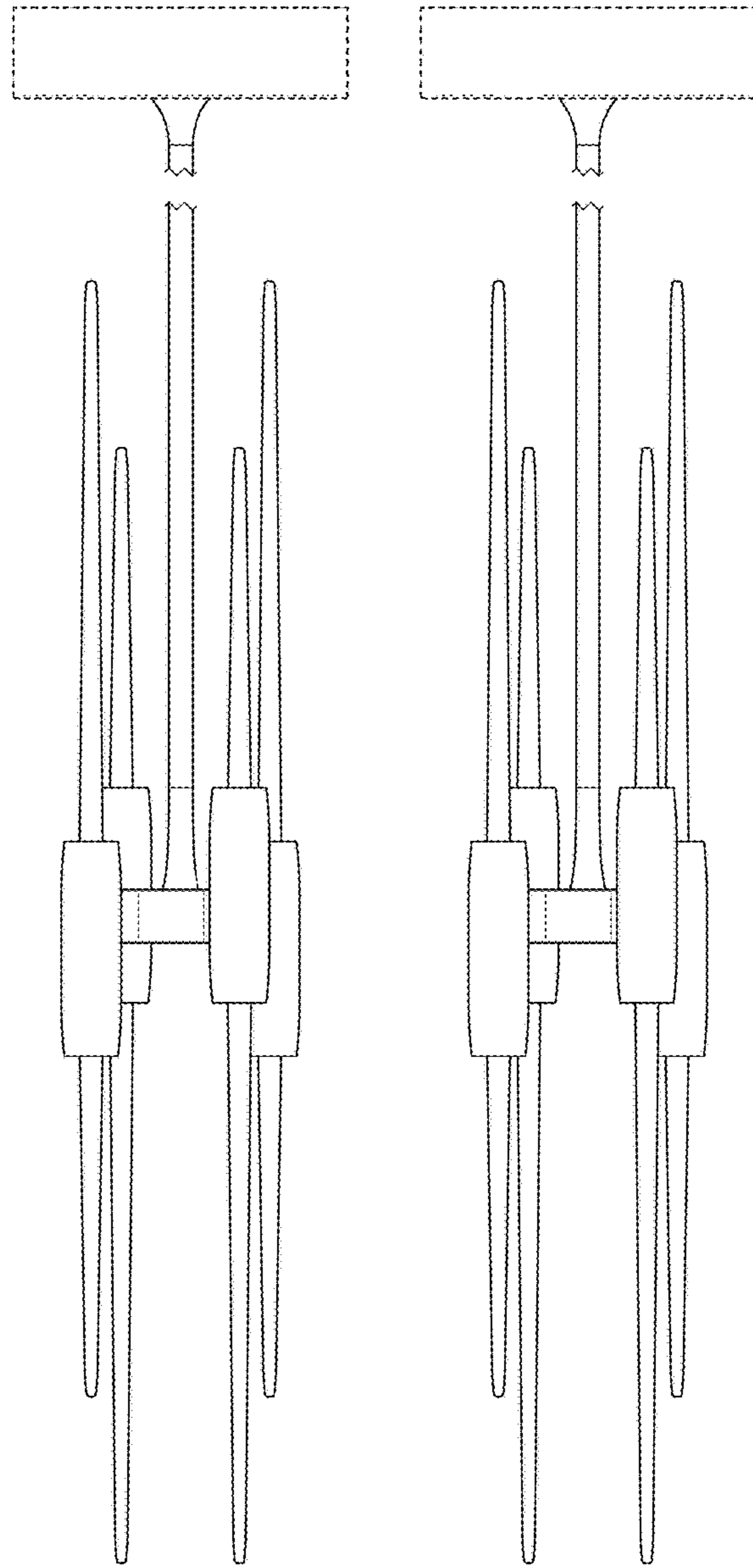


FIG. 5

FIG. 6

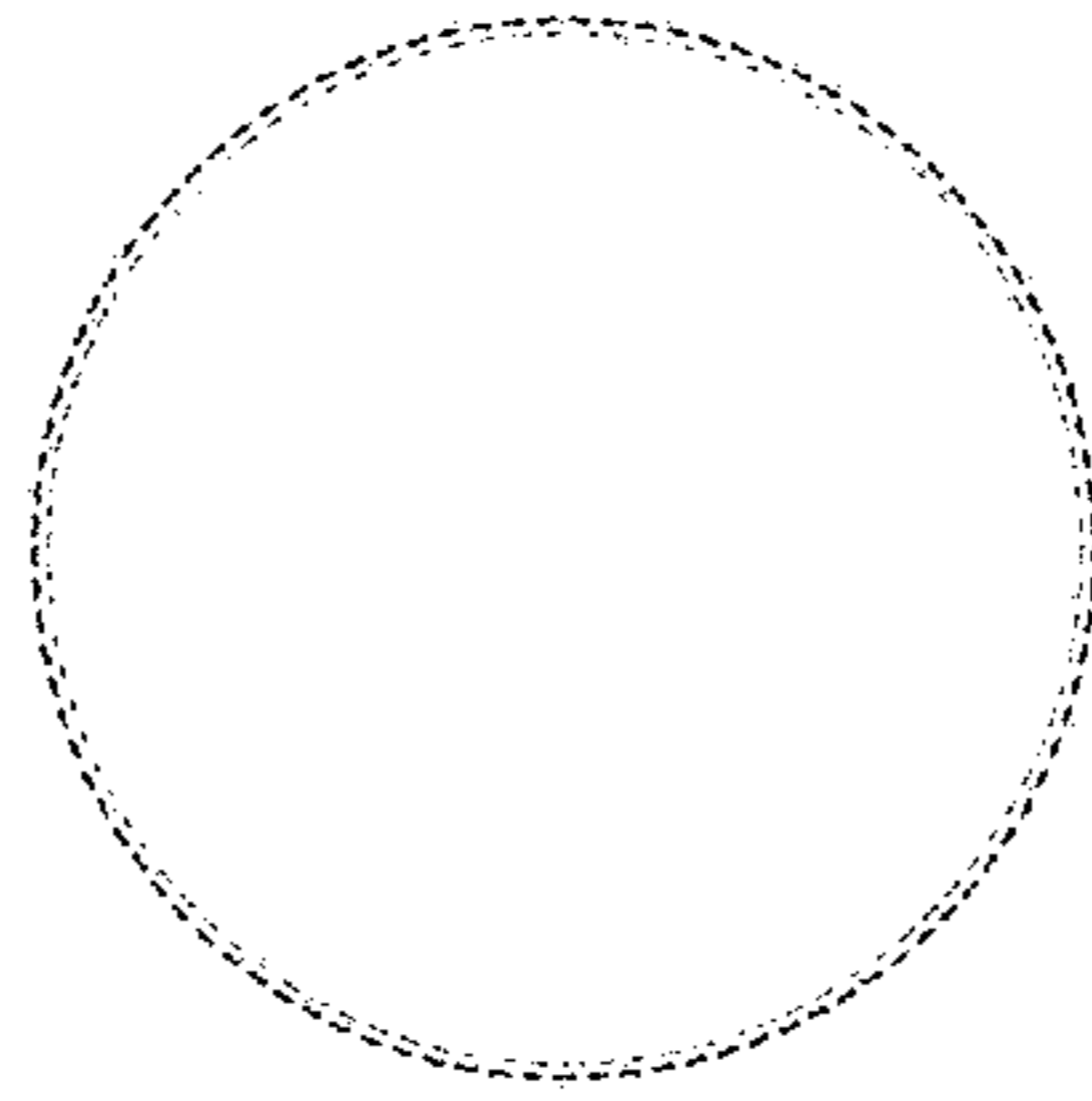


FIG. 7

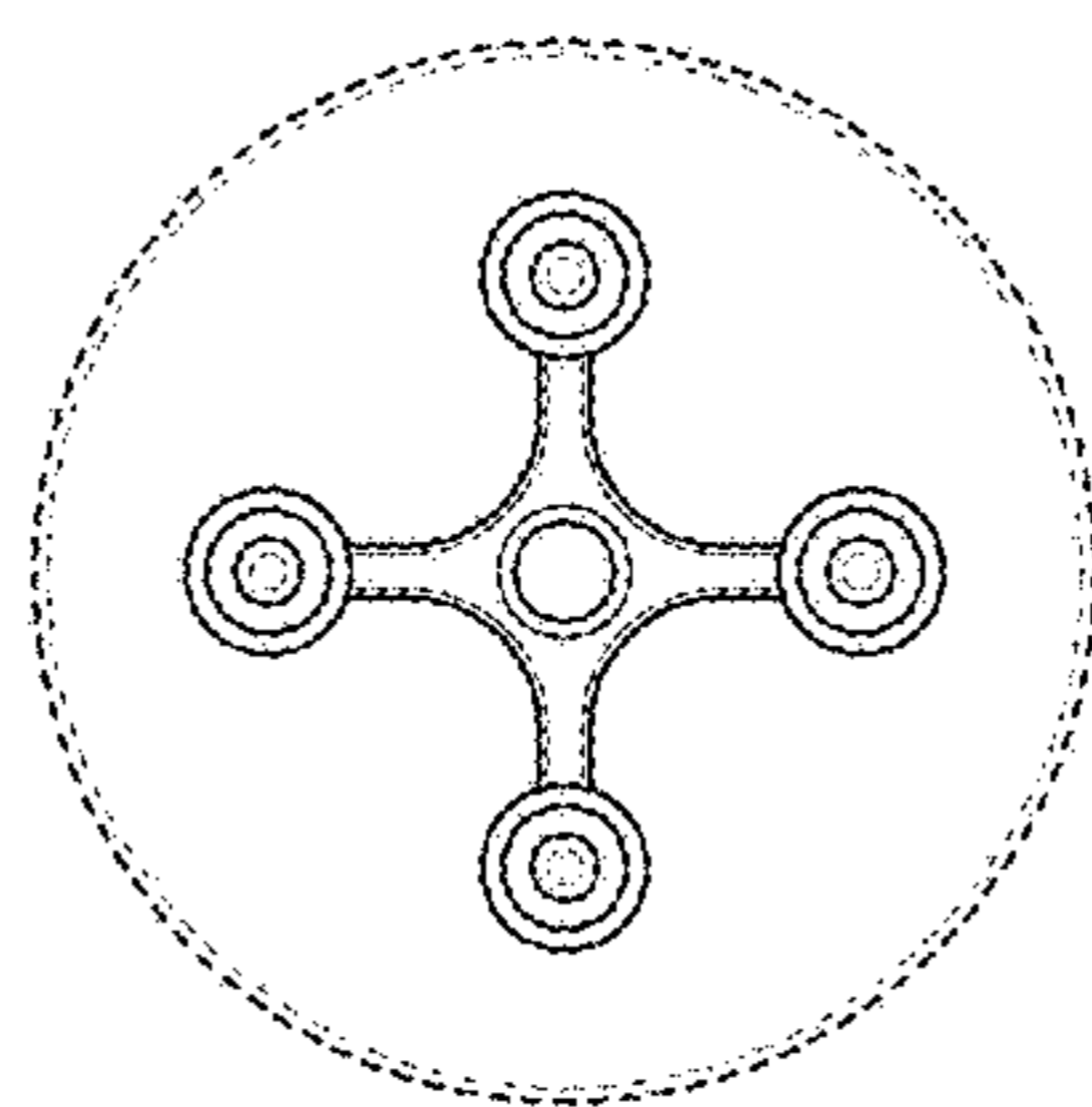


FIG. 8