



US00D859718S

(12) **United States Design Patent**  
**Groat**

(10) **Patent No.:** **US D859,718 S**

(45) **Date of Patent:** **\*\* Sep. 10, 2019**

(54) **LIGHTING FIXTURE**

D791,993 S \* 7/2017 Ferlauto ..... D26/63  
D841,210 S \* 2/2019 Ye ..... D26/63  
D846,791 S \* 4/2019 Liang ..... D26/63

(71) Applicant: **Clarolux, Inc.**, Greensboro, NC (US)

(72) Inventor: **Brian Groat**, Greensboro, NC (US)

\* cited by examiner

(73) Assignee: **Clarolux, Inc.**, Greensboro, NC (US)

*Primary Examiner* — Brian N. Vinson

(\*\*) Term: **15 Years**

(74) *Attorney, Agent, or Firm* — MacCord Mason PLLC

(21) Appl. No.: **29/650,202**

(22) Filed: **Jun. 5, 2018**

(57) **CLAIM**

(51) **LOC (12) Cl.** ..... **26-03**

The ornamental design for a lighting fixture, as shown and described.

(52) **U.S. Cl.**

USPC ..... **D26/63**

(58) **Field of Classification Search**

USPC ..... D26/24, 60–71, 85, 92, 113, 118, 119

CPC ..... F21V 21/14; F21V 15/01; F21V 14/02;

F21V 21/30; F21V 14/00; F21Y

2105/001; F21S 8/00

See application file for complete search history.

**DESCRIPTION**

FIG. 1 is a front perspective view of a lighting fixture;

FIG. 2 is a side view thereof;

FIG. 3 is a rear perspective view thereof;

FIG. 4 is a side perspective view thereof; and,

FIG. 5 is a top view thereof.

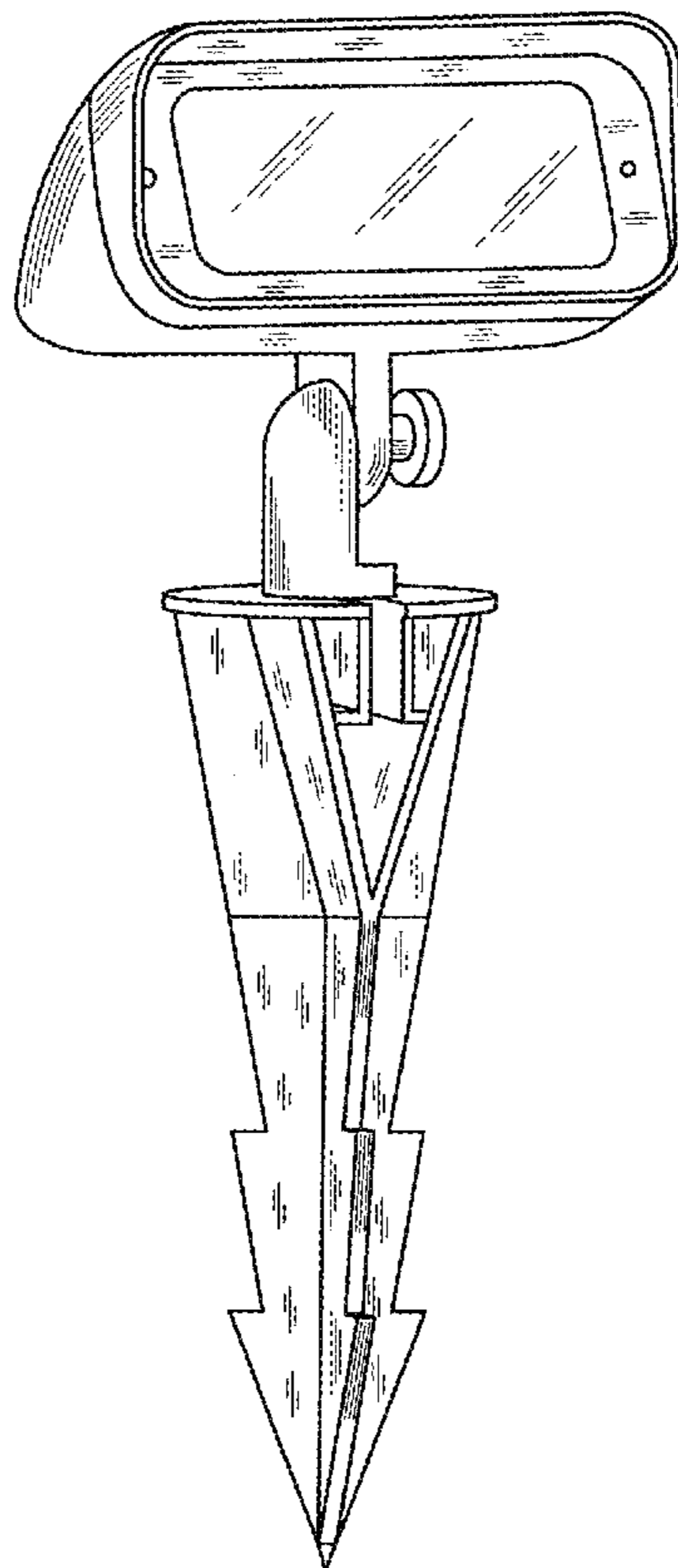
(56) **References Cited**

U.S. PATENT DOCUMENTS

D779,096 S \* 2/2017 Xu ..... D26/63

D779,098 S \* 2/2017 Tsai ..... D26/63

**1 Claim, 5 Drawing Sheets**



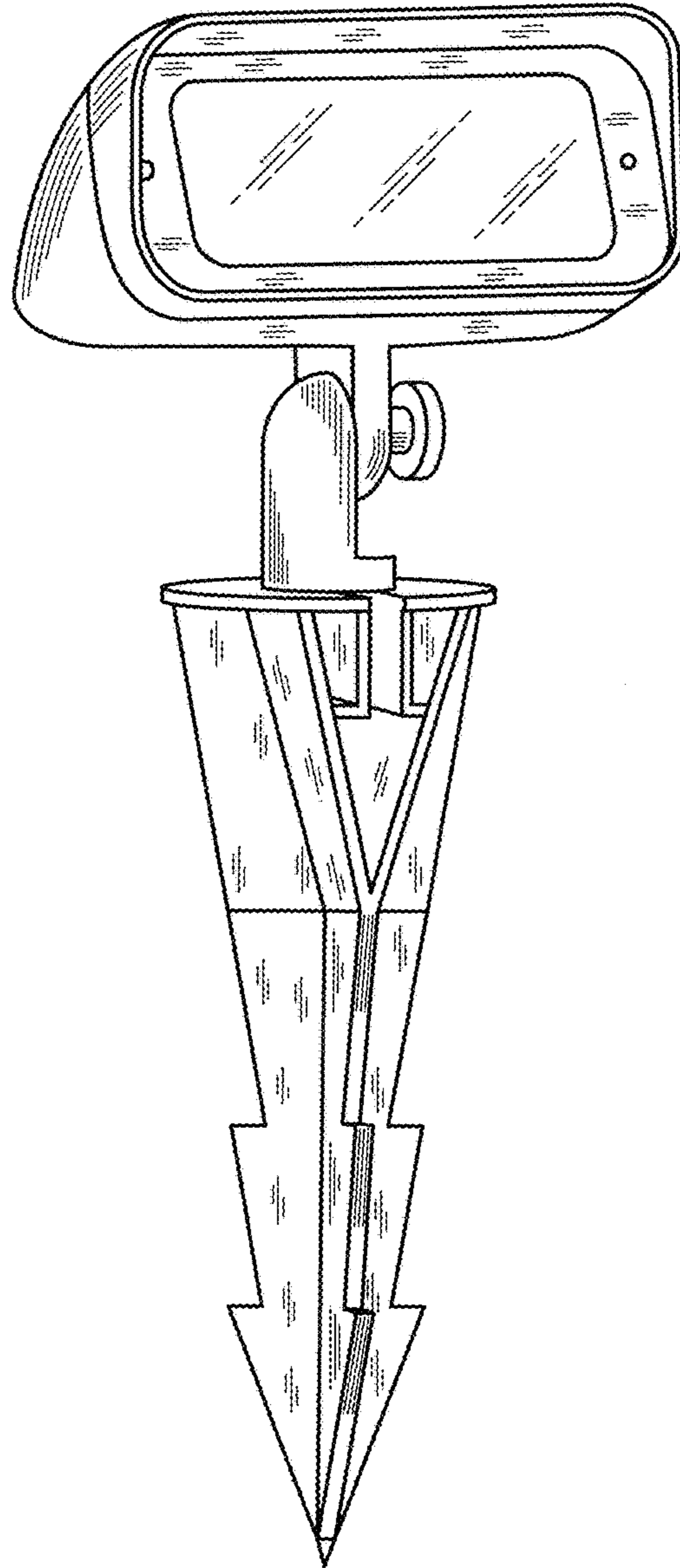


FIG. 1

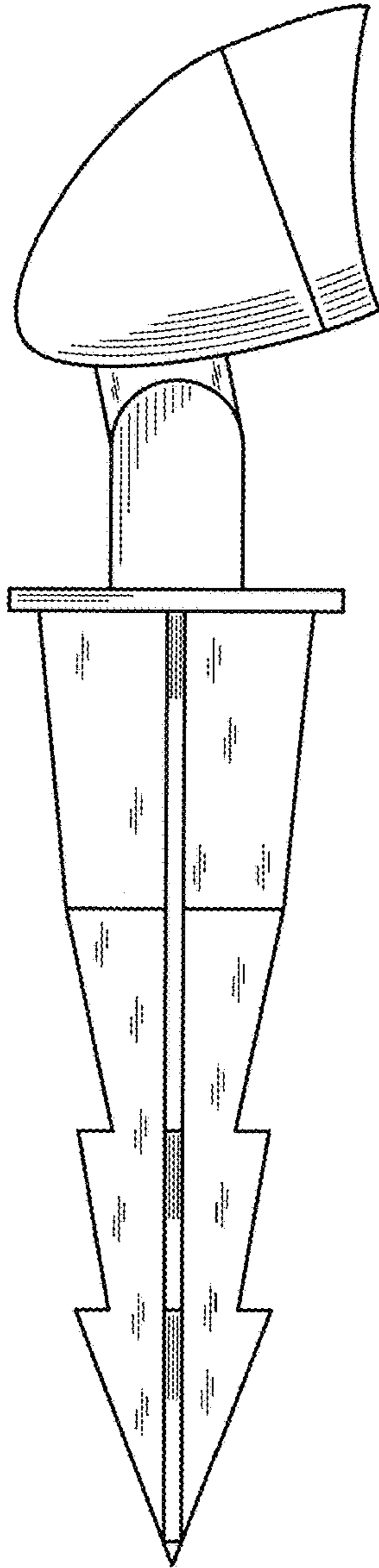


FIG. 2

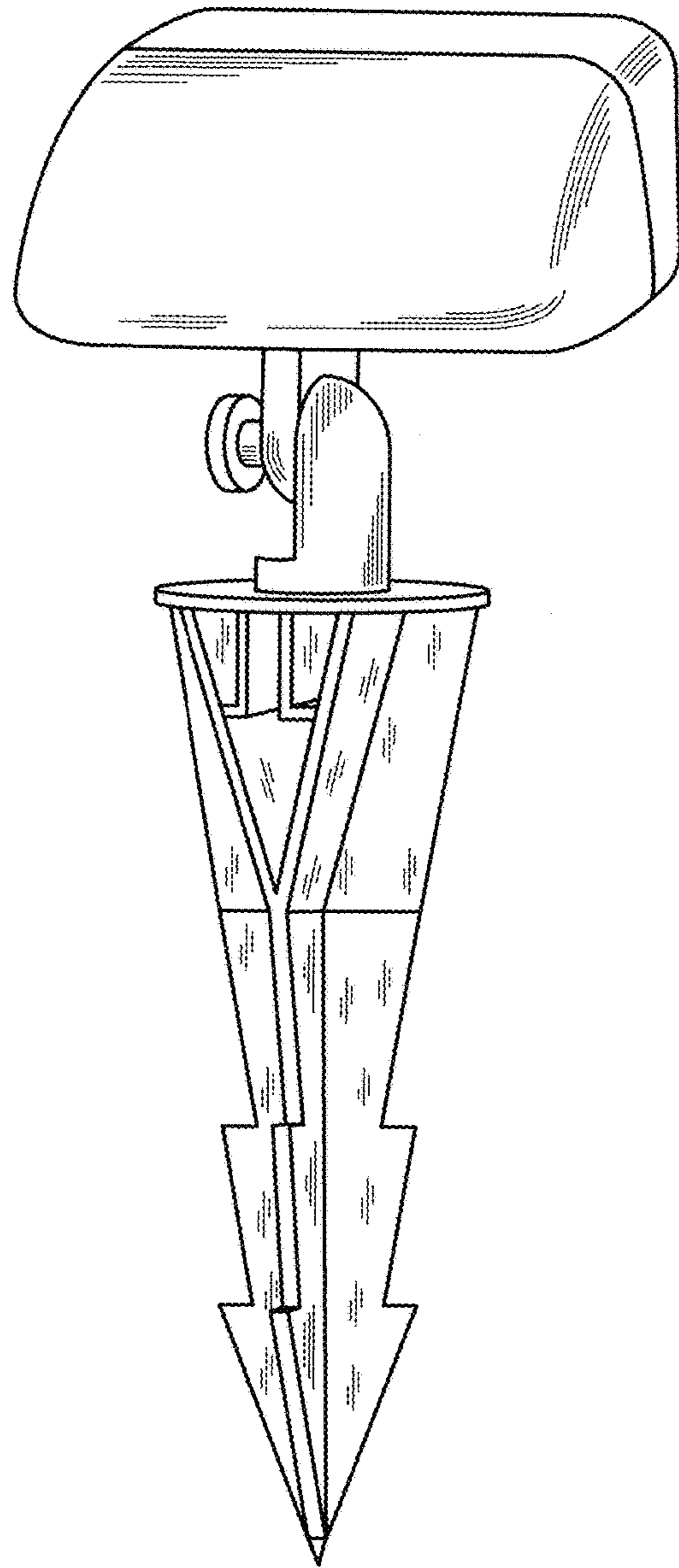


FIG. 3

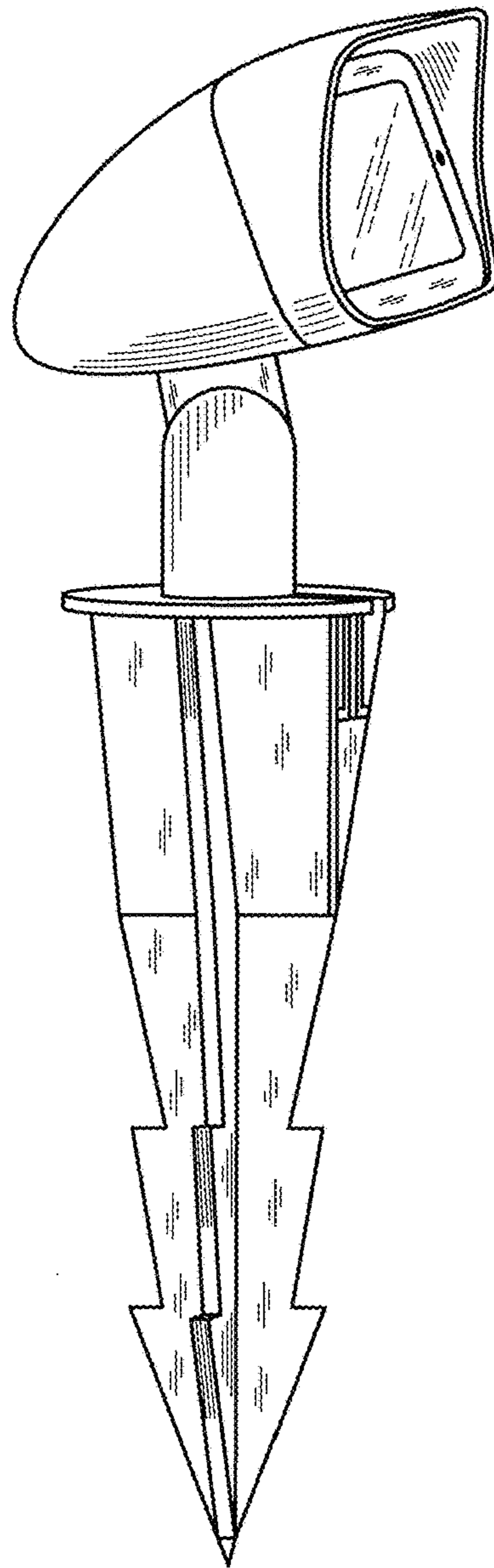


FIG. 4

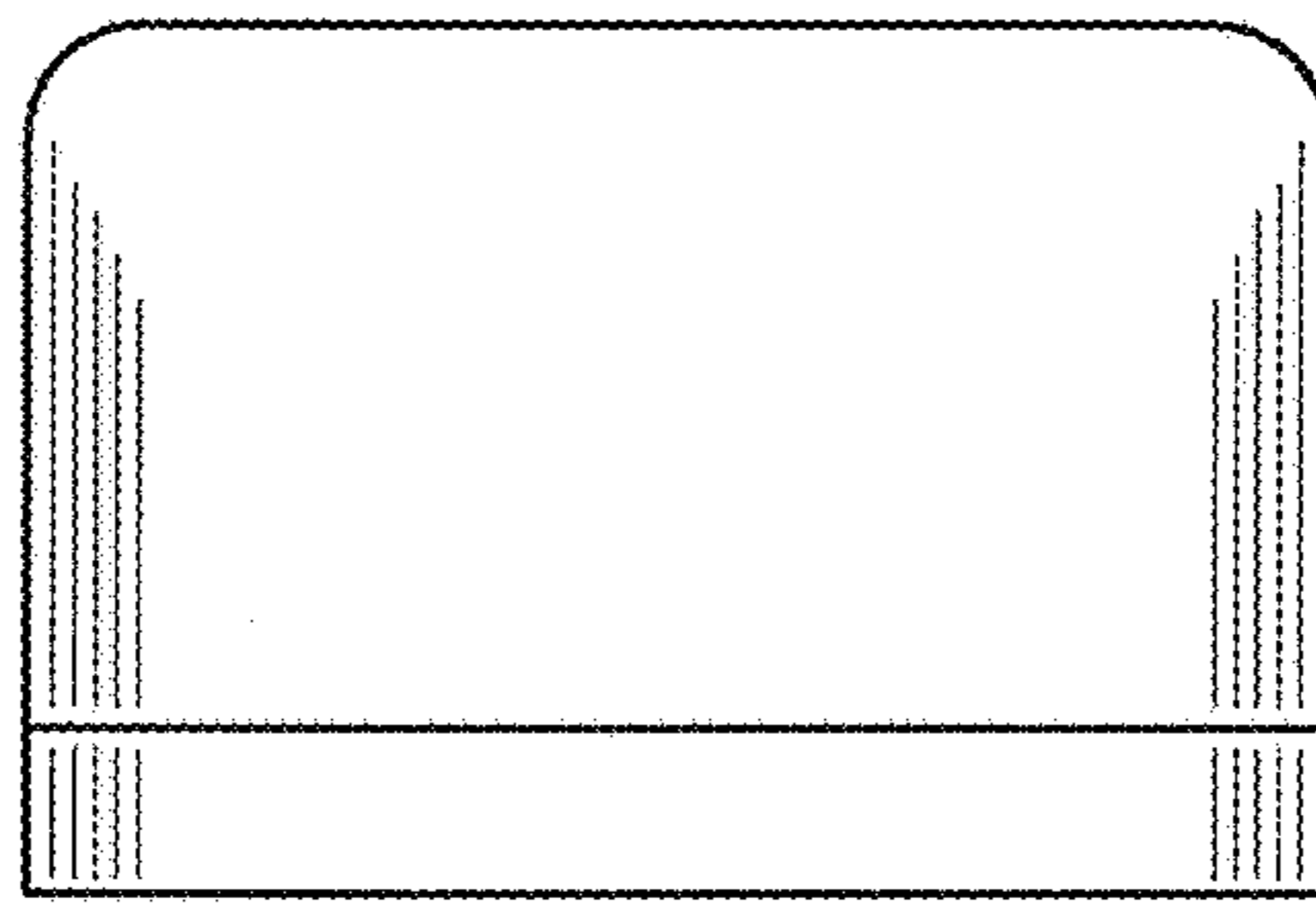


FIG. 5