



US00D859717S

(12) **United States Design Patent**
Martinez Weber

(10) **Patent No.:** **US D859,717 S**

(45) **Date of Patent:** **** Sep. 10, 2019**

(54) **LIGHTING FIXTURE**

(71) Applicant: **ANTARES ILUMINACIÓN, S.A.U.**,
Ribarroja (Valencia) (ES)

(72) Inventor: **Federico Martinez Weber**, Ribarroja
(ES)

(73) Assignee: **ANTARES ILUMINACION, S.A.U.**,
Ribarroja (Valencia) (ES)

(**) Term: **15 Years**

(21) Appl. No.: **29/634,531**

(22) Filed: **Jan. 23, 2018**

(30) **Foreign Application Priority Data**

Jan. 9, 2018 (EM) 004642510-0002

(51) **LOC (12) Cl.** **26-03**

(52) **U.S. Cl.**
USPC **D26/63**

(58) **Field of Classification Search**
USPC D26/1, 24, 60, 61, 63-71, 80, 81, 113,
D26/138; D13/102
CPC F21S 6/003; F21S 6/0032; F21S 6/005;
F21S 8/081; F21S 8/083; F21S 8/085;
F21S 8/088; F21V 1/00; F21V 7/00;
F21V 17/10; F21V 21/30; F21V 21/0824;
F21V 21/32; F21V 23/06; F21W
2131/103; F21W 2131/109
See application file for complete search history.

(56) **References Cited**

U.S. PATENT DOCUMENTS

6,739,740 B1 * 5/2004 Feldman F21V 21/34
362/147
D566,873 S * 4/2008 Grundl D26/63
D627,498 S * 11/2010 Chipperfield D26/63
D670,846 S * 11/2012 Ramirez D26/63
D795,478 S * 8/2017 Goetz-Schaefer D26/63

D795,479 S * 8/2017 Goetz-Schaefer D26/63
D795,480 S * 8/2017 Goetz-Schaefer D26/63
D800,363 S * 10/2017 Terumichi D26/63
2008/0158894 A1 * 7/2008 Dixon F16C 11/106
362/418
2018/0119925 A1 * 5/2018 Yamae F21V 21/04
(Continued)

FOREIGN PATENT DOCUMENTS

EP 1134482 A2 * 9/2001 F21S 8/038
EP 3327343 A2 * 5/2018 F21V 21/005

OTHER PUBLICATIONS

Summit LED202 Compact Led Track Luminaire, dated Feb. 12,
2015, [online], [site visited Apr. 23, 2019]. Available from Internet,
URL: <http://www.waclighting.com/product/2985> (Year: 2015).*

(Continued)

Primary Examiner — Angela J Lee

Assistant Examiner — Shawn T Gingrich

(74) *Attorney, Agent, or Firm* — Abelman, Frayne &
Schwab

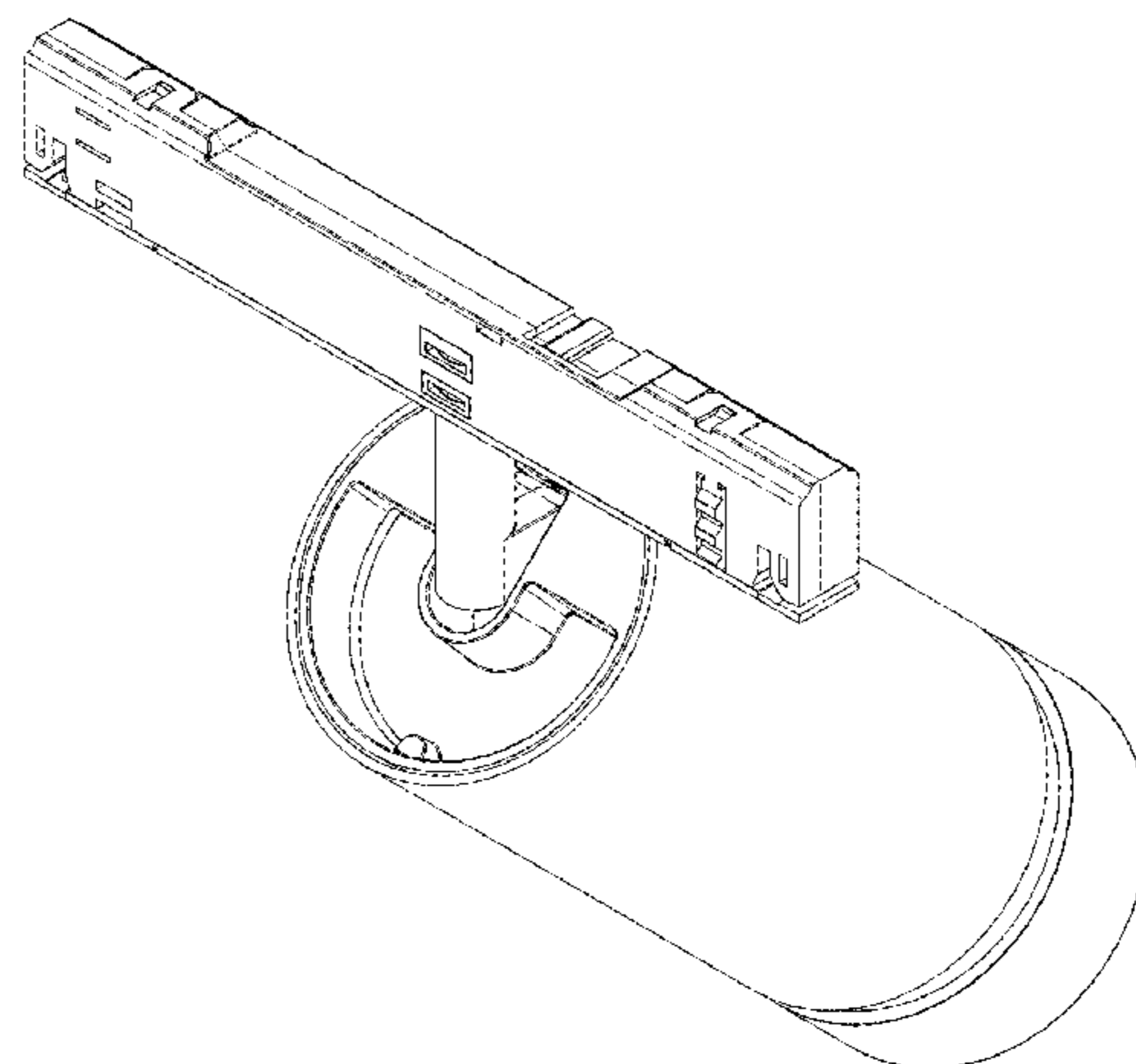
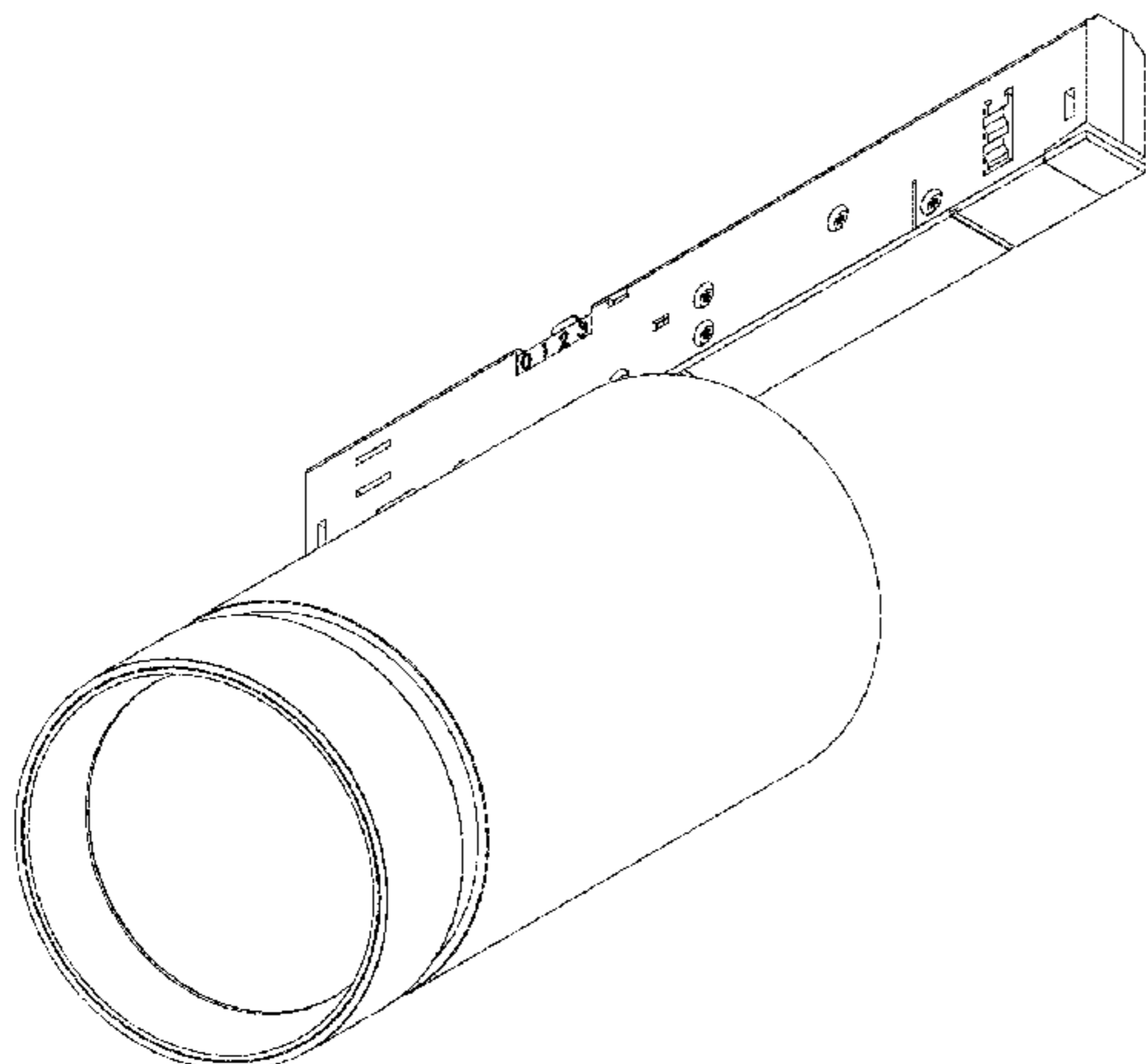
(57) **CLAIM**

The ornamental design for a lighting fixture, as shown and
described.

DESCRIPTION

FIG. 1 is a bottom, front, right side perspective view of a
lighting fixture showing our new design;
FIG. 2 is a front elevational view thereof;
FIG. 3 is a top plan view thereof;
FIG. 4 is a left side elevational view thereof;
FIG. 5 is a rear elevational view thereof;
FIG. 6 is a bottom plan view thereof;
FIG. 7 is a right side elevational view thereof;
FIG. 8 is a rear, top, left side perspective view thereof; and,
FIG. 9 is a top, front, right side perspective view thereof.

1 Claim, 9 Drawing Sheets



(56)

References Cited

U.S. PATENT DOCUMENTS

2018/0202642 A1* 7/2018 Martinez Weber F21S 8/022
2018/0224104 A1* 8/2018 Bernard F21V 21/35

OTHER PUBLICATIONS

LED Track Lighting Australia, dated Mar. 11, 2018, [online], [site visited Apr. 23, 2019]. Available from Internet, URL: <https://ledworld.com.au/products/track-lighting/> (Year: 2018).*

* cited by examiner

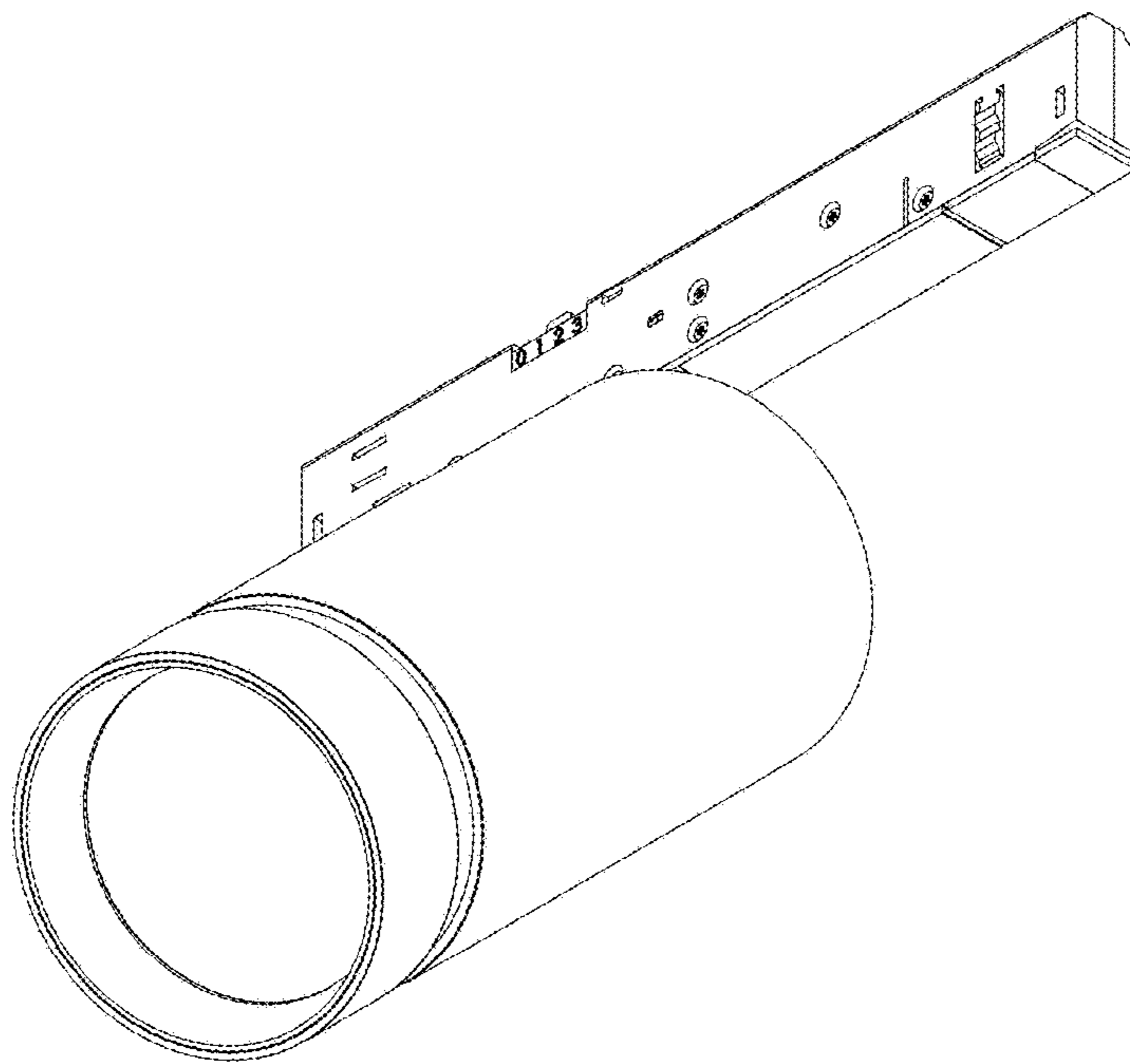


FIG. 1

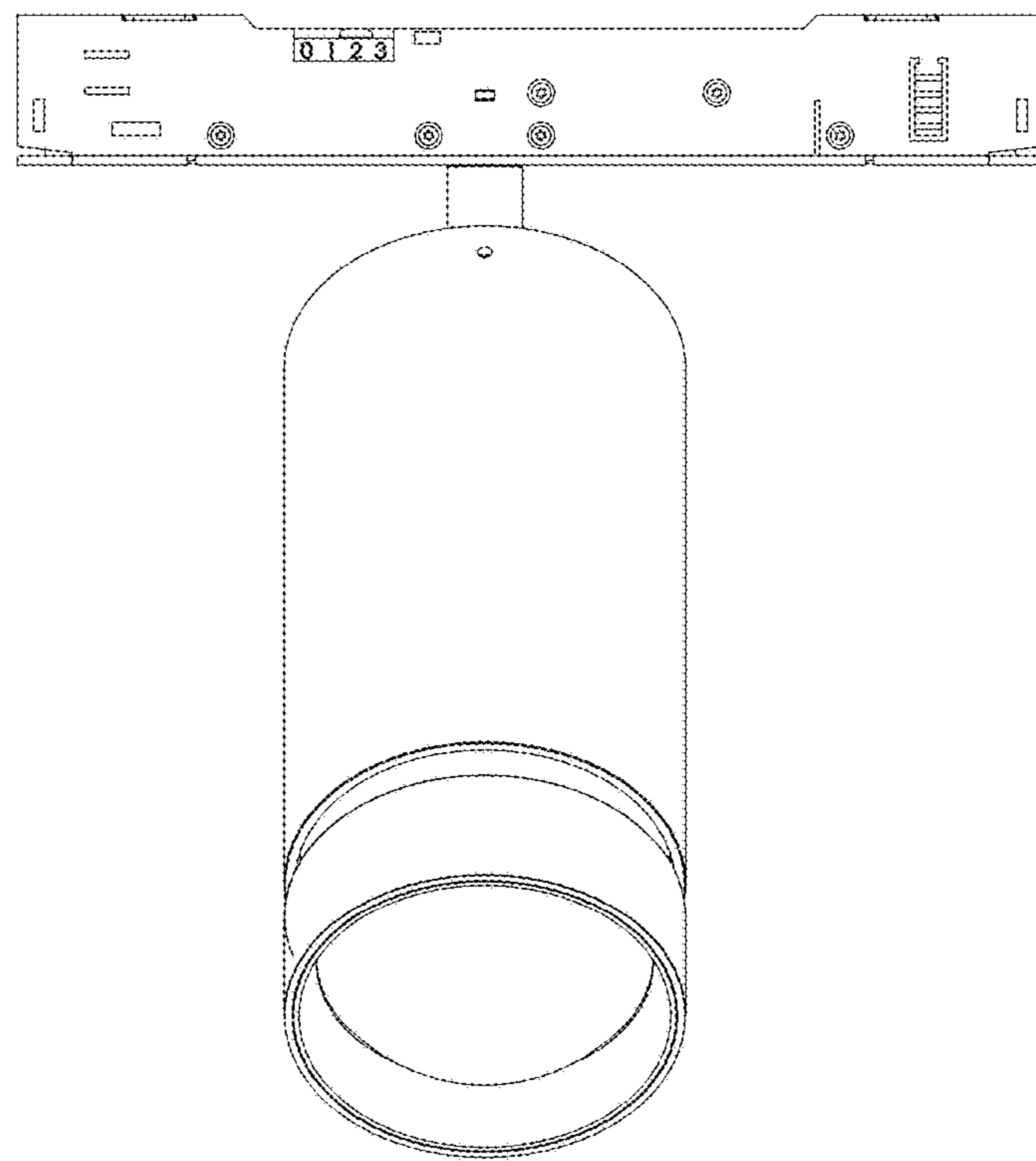


FIG. 2

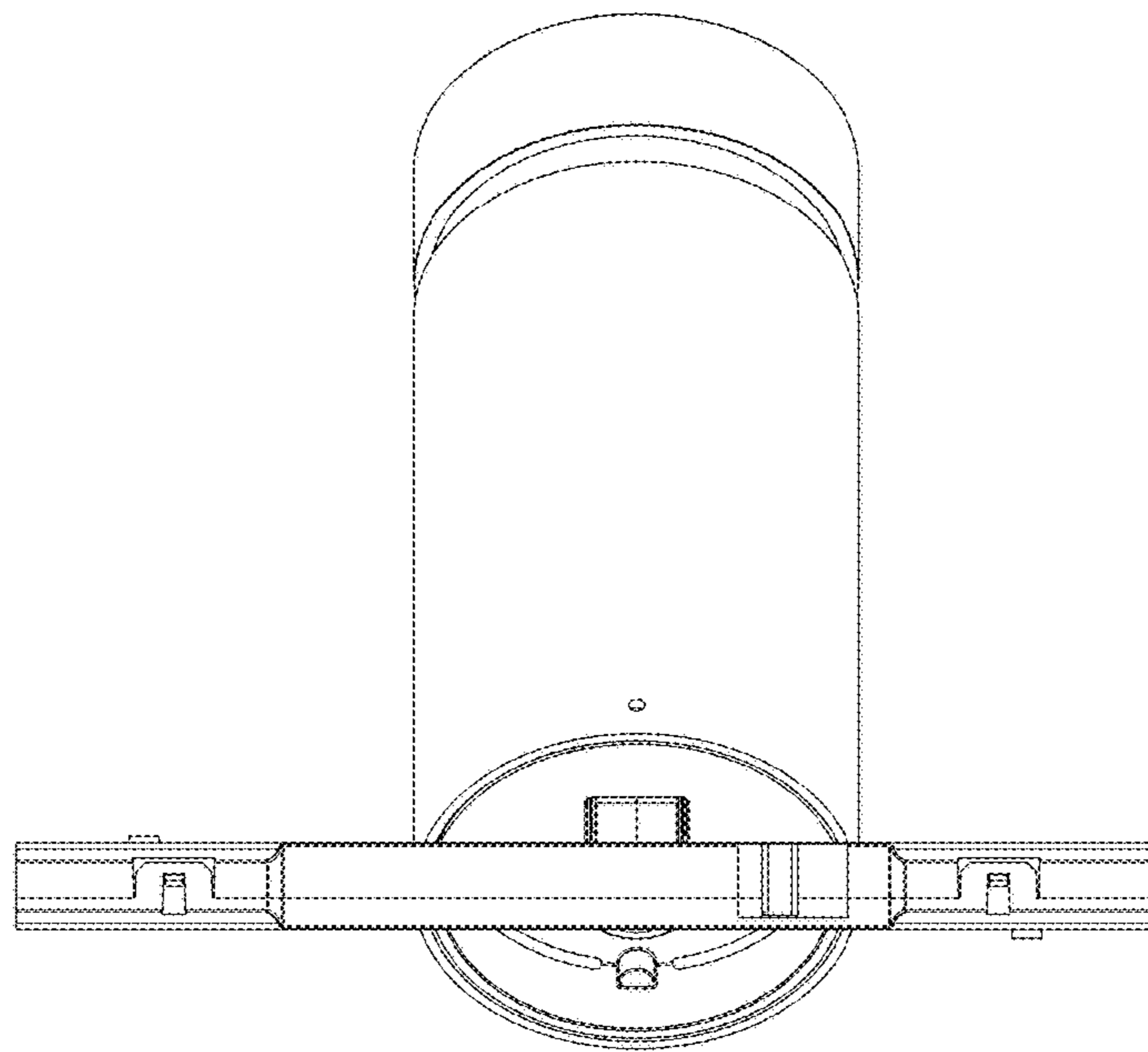


FIG. 3

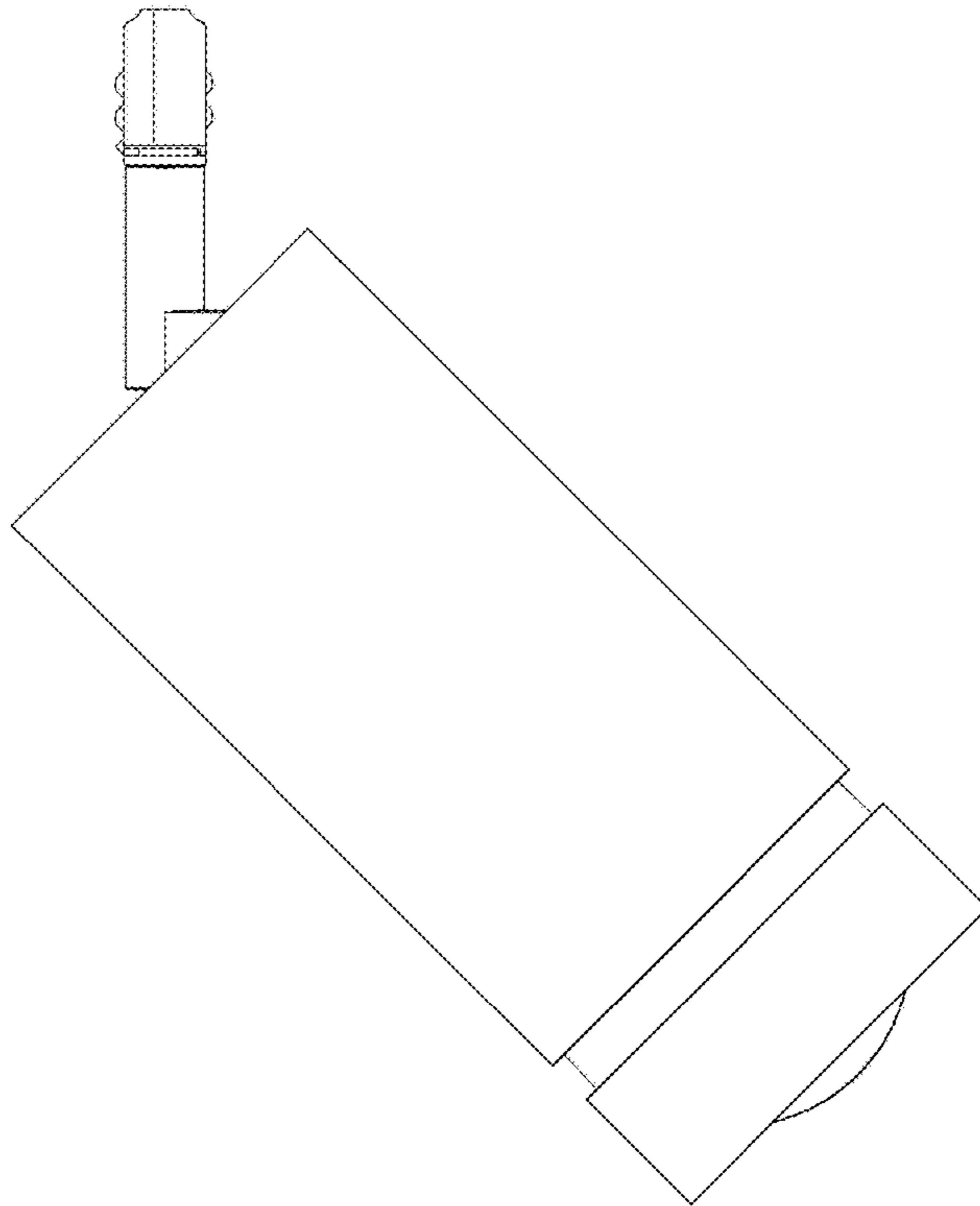


FIG. 4

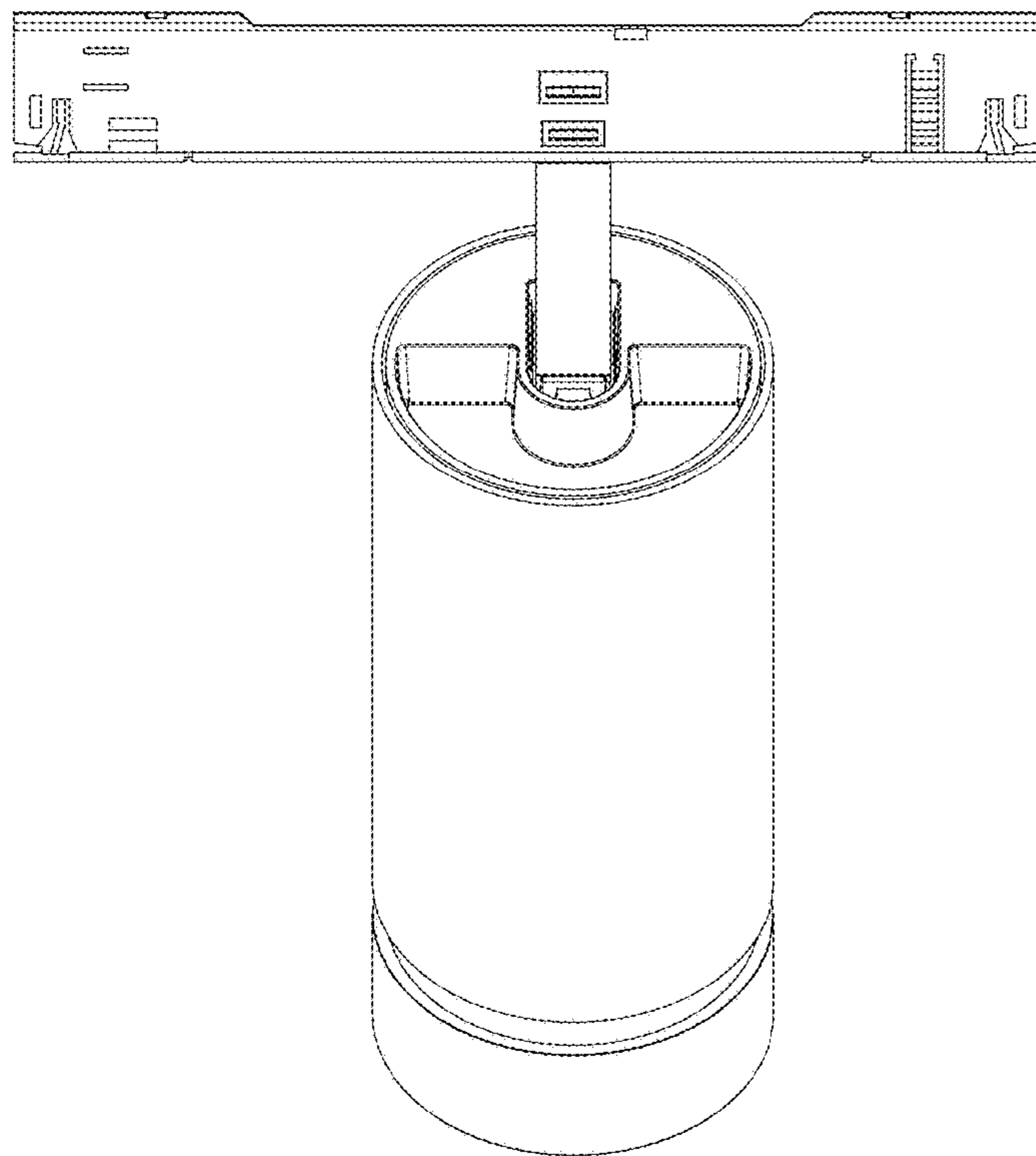


FIG. 5

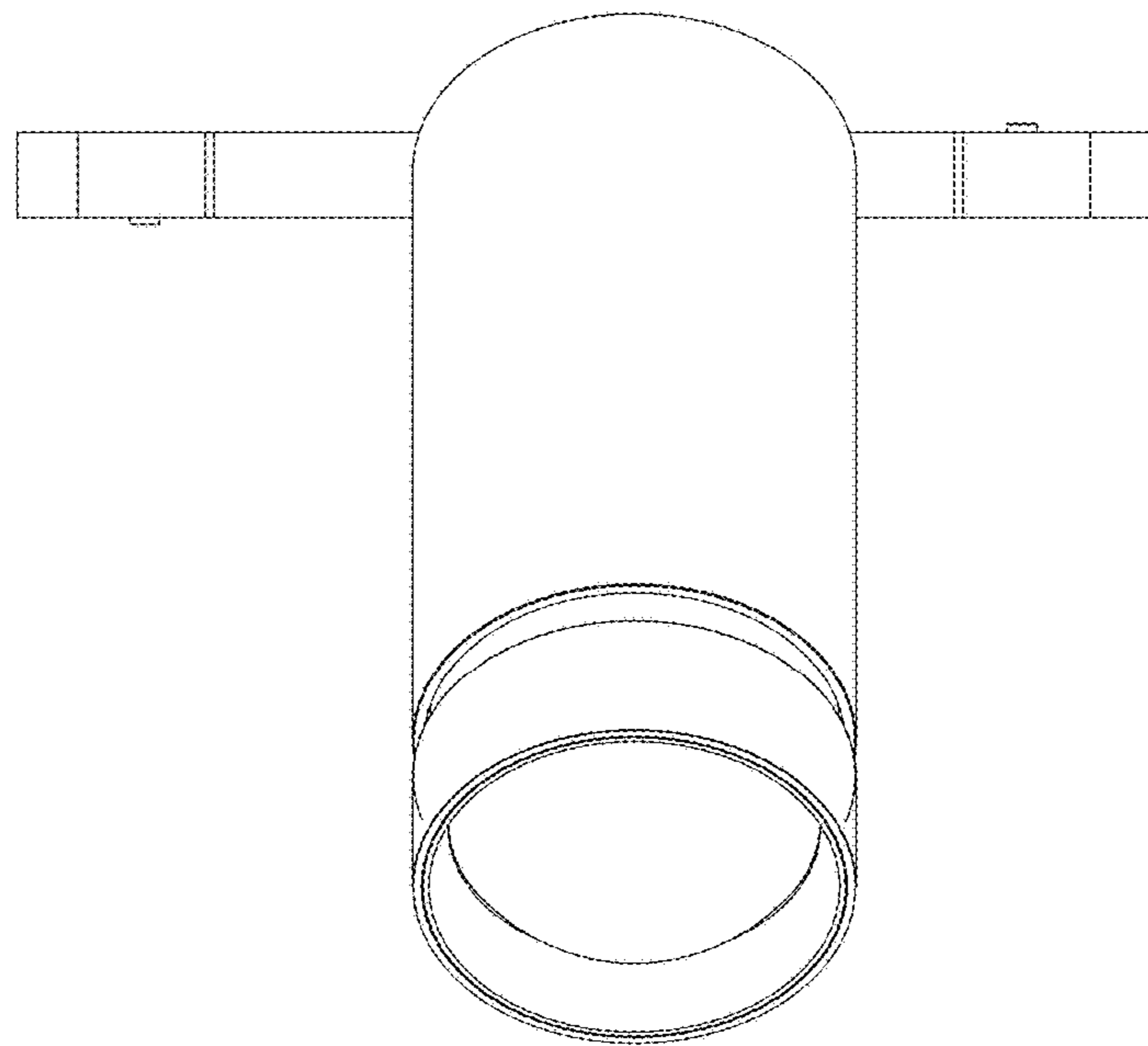


FIG. 6

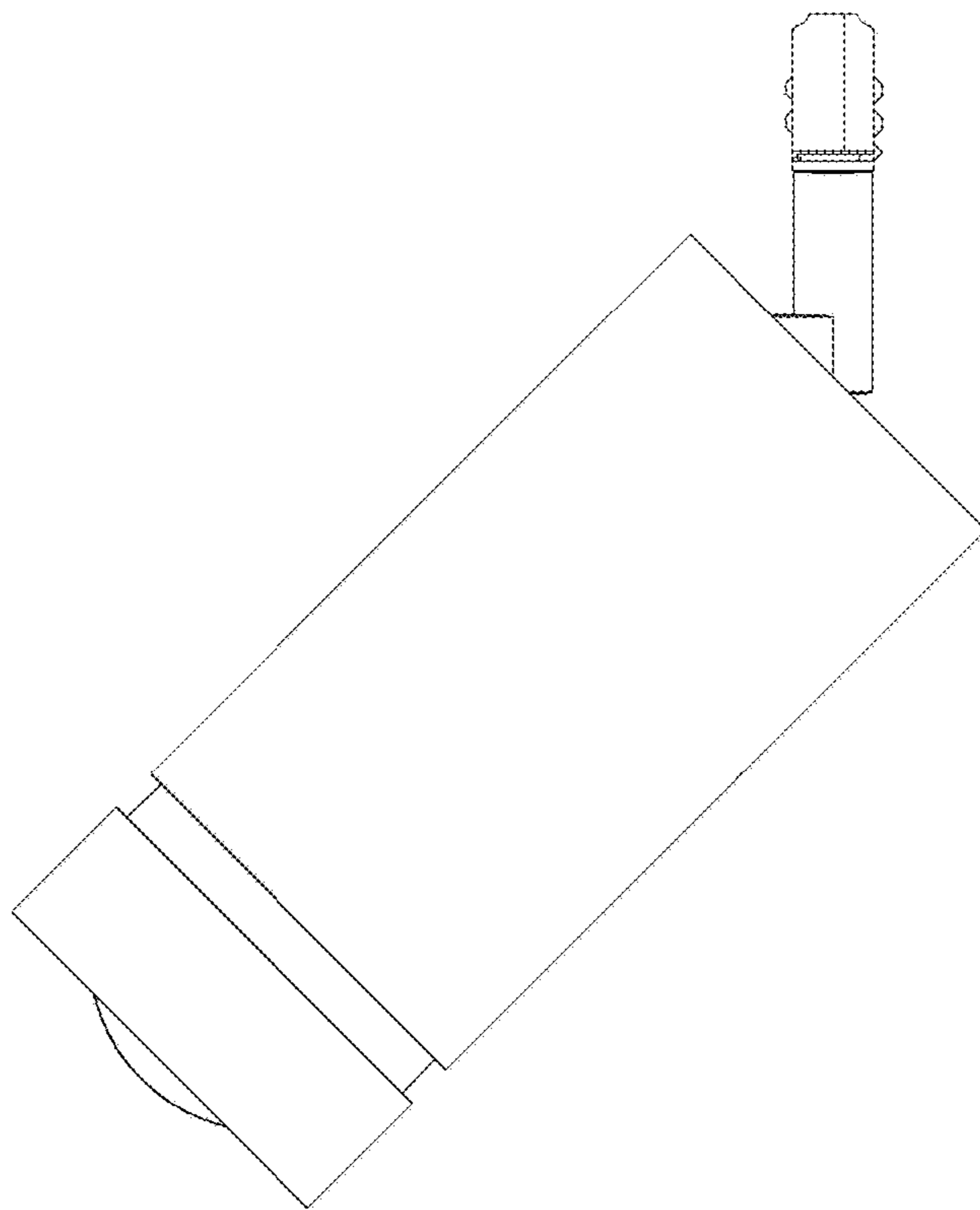


FIG. 7

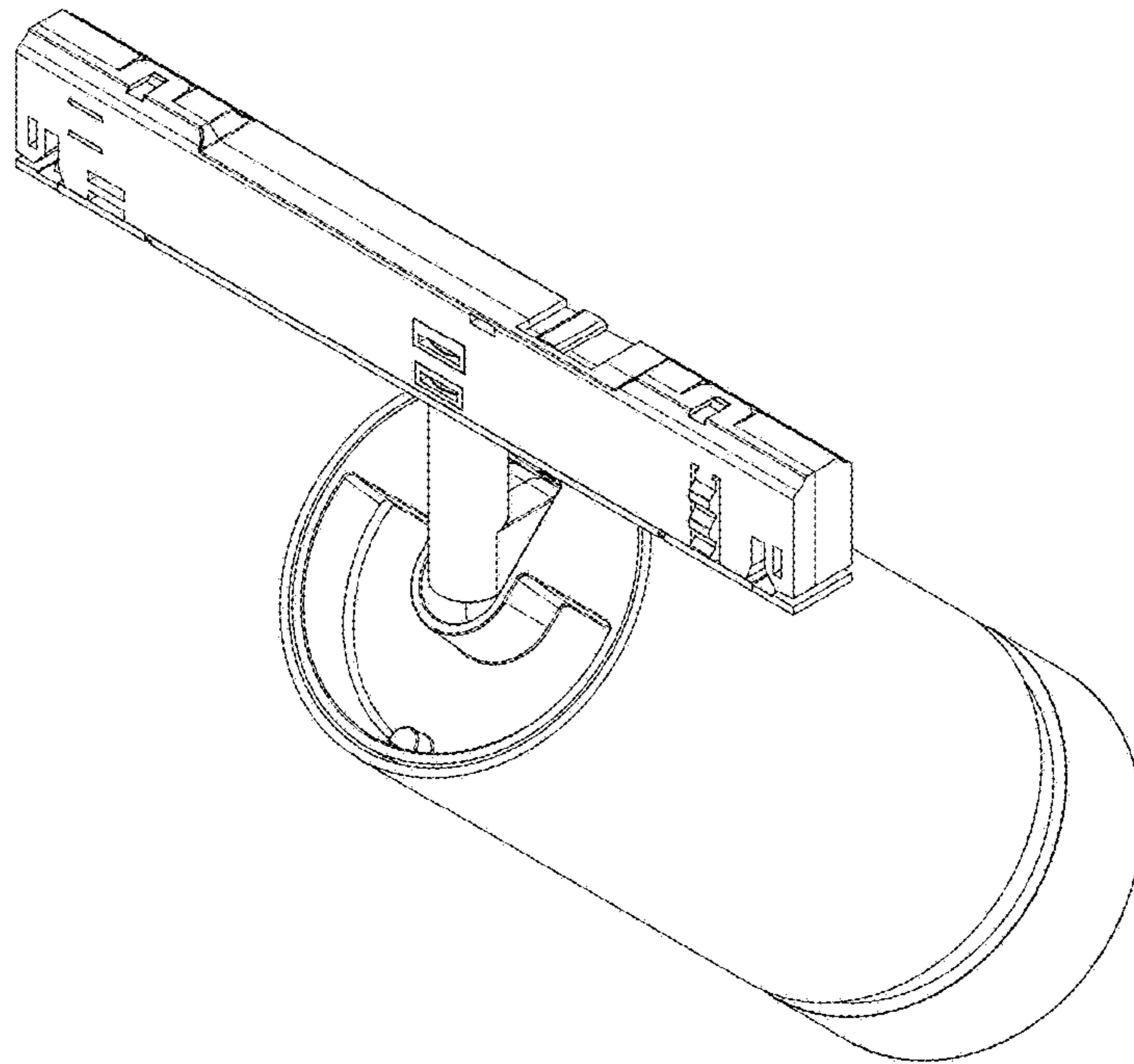


FIG. 8

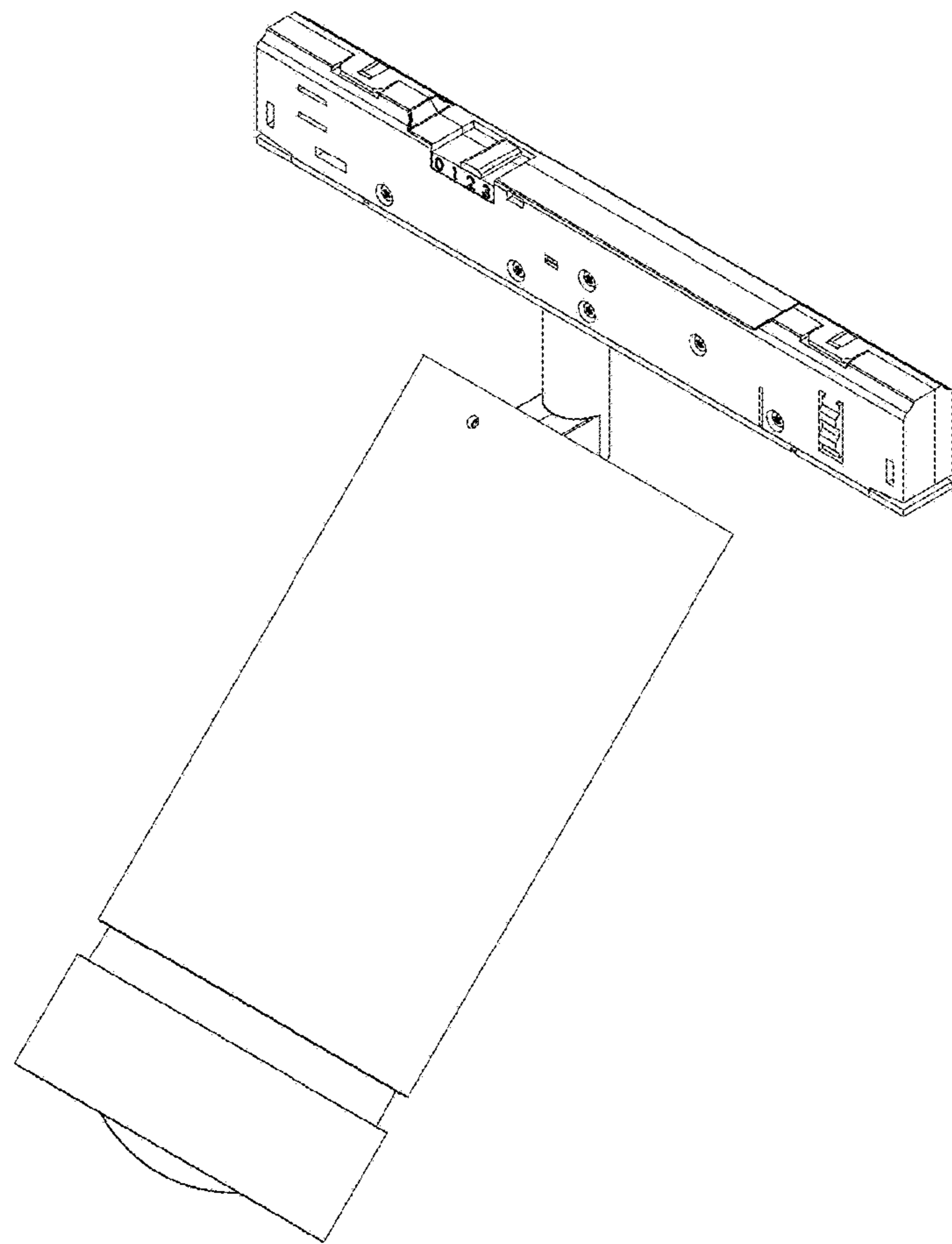


FIG. 9