



US00D859715S

(12) **United States Design Patent** (10) **Patent No.:** **US D859,715 S**
Windom et al. (45) **Date of Patent:** **** Sep. 10, 2019**

(54) **TILTABLE WORK LIGHT**
(71) Applicant: **COAST CUTLERY CO.**, Portland, OR (US)
(72) Inventors: **Gregory David Windom**, Portland, OR (US); **Stephen E. Hubert**, Portland, OR (US); **Douglas R. Hutchens**, Lake Oswego, OR (US); **David D. Lewin**, Portland, OR (US); **Hai Rong Shi**, Yangjiang (CN)
(73) Assignee: **Coast Cutlery Co.**, Portland, OR (US)

7,575,347 B1 8/2009 Daly
D617,930 S * 6/2010 Chen D26/60
8,827,485 B2 9/2014 Liao
8,911,103 B2 12/2014 Matthews
D788,964 S * 6/2017 Peard D26/61
D789,583 S * 6/2017 Peard D26/61
D814,686 S * 4/2018 Chen D26/110
2006/0082990 A1 4/2006 Hsu
(Continued)

(**) Term: **15 Years**

(21) Appl. No.: **29/619,399**

(22) Filed: **Sep. 28, 2017**

(51) **LOC (12) Cl.** **26-03**

(52) **U.S. Cl.**
USPC **D26/63**

(58) **Field of Classification Search**
USPC D26/1, 24, 61, 63, 65, 110
CPC F21V 21/14; F21V 15/01; F21V 14/02;
F21V 21/30; F21V 14/00; F21S 8/00;
F21Y 2105/001
See application file for complete search history.

(56) **References Cited**

U.S. PATENT DOCUMENTS

2,539,974 A 1/1951 Riddell
3,829,679 A 8/1974 Rogers
D242,945 S * 1/1977 Moore D26/65
5,605,394 A 2/1997 Chen
6,022,119 A 2/2000 Booty
6,457,841 B1 10/2002 Lynch
D489,145 S * 4/2004 Smith D26/63
D500,379 S * 12/2004 Kunzler D26/63
6,905,223 B2 6/2005 Halasz
7,023,004 B2 4/2006 Ford
7,494,251 B1 2/2009 Kira

FOREIGN PATENT DOCUMENTS

DE 889322 C 9/1953
GB 684339 A 12/1952

OTHER PUBLICATIONS

Flir; FLIR2.1MPHD Fixed WDR Eyeball Dome Camera C243EW2;
<http://www.flir.com/security/display/?id=83097>.
(Continued)

Primary Examiner — Brian N. Vinson
(74) *Attorney, Agent, or Firm* — Schwabe Williamson & Wyatt, P.C.

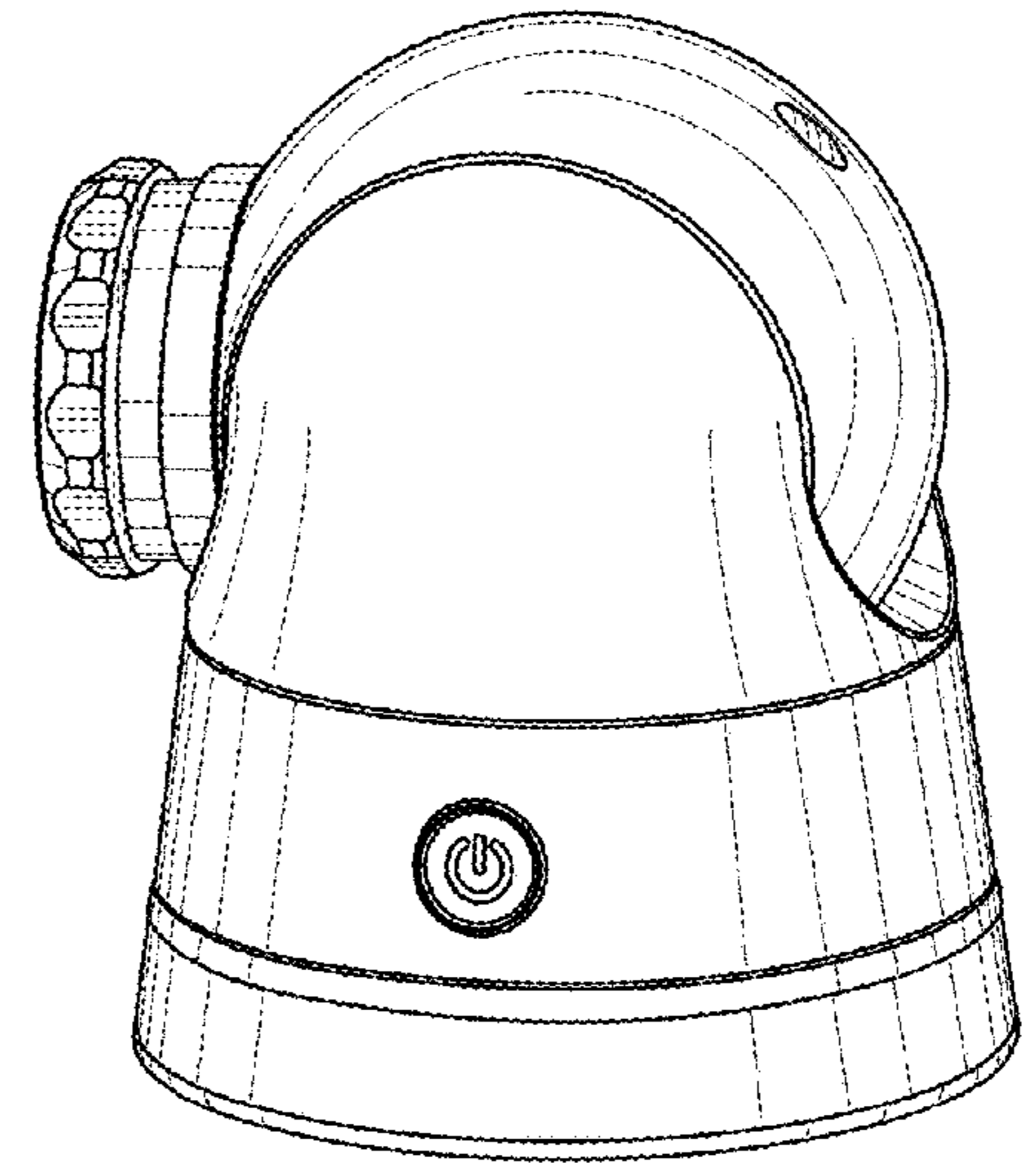
(57) **CLAIM**

We claim the ornamental design for a tiltable work light, as shown and described.

DESCRIPTION

FIG. 1 is a bottom, front perspective view of a tiltable work light showing our new design;
FIG. 2 is a top and side perspective view thereof;
FIG. 3 is a left side elevational view thereof;
FIG. 4 is a right side elevational view thereof;
FIG. 5 is a front elevational view thereof;
FIG. 6 is a rear elevational view thereof;
FIG. 7 is a bottom plan view thereof; and,
FIG. 8 is a top plan view thereof.
The broken line disclosure represents portions of the light which form no part of the claimed design.

1 Claim, 4 Drawing Sheets



(56)

References Cited

U.S. PATENT DOCUMENTS

2008/0205036 A1 8/2008 Tarter
2011/0255274 A1 10/2011 Coleman
2015/0345762 A1 12/2015 Creasman
2016/0313636 A1 10/2016 Chien
2018/0216808 A1 8/2018 Ford
2018/0224114 A1 8/2018 Bian

OTHER PUBLICATIONS

Flir; Star Saffire HD; www.flir.com/GS.
Husky; Large Magnetic LED Work Light (with detents); Model #HWLLG; Internet #206031017.
Husky; Magnetic LED WorkLights (with detents); 1001 405 678; 1001 381-737.
Husky; Small Magnetic LED Work Light (with detents); Model #HWLSM; Internet #206031059.
Lorex; 4MP High Definition IP Camera with Color Night Vision (Dome) Lorex2; LNE4162BW Security Camera Series; <https://www.lorextechnology.com/hd-ip-camera/1080p-4-megapixel-ip-camera-with-color-night>
European Patent Application No. 18202258.2; Extended European Search Report; dated Dec. 17, 2018.

* cited by examiner

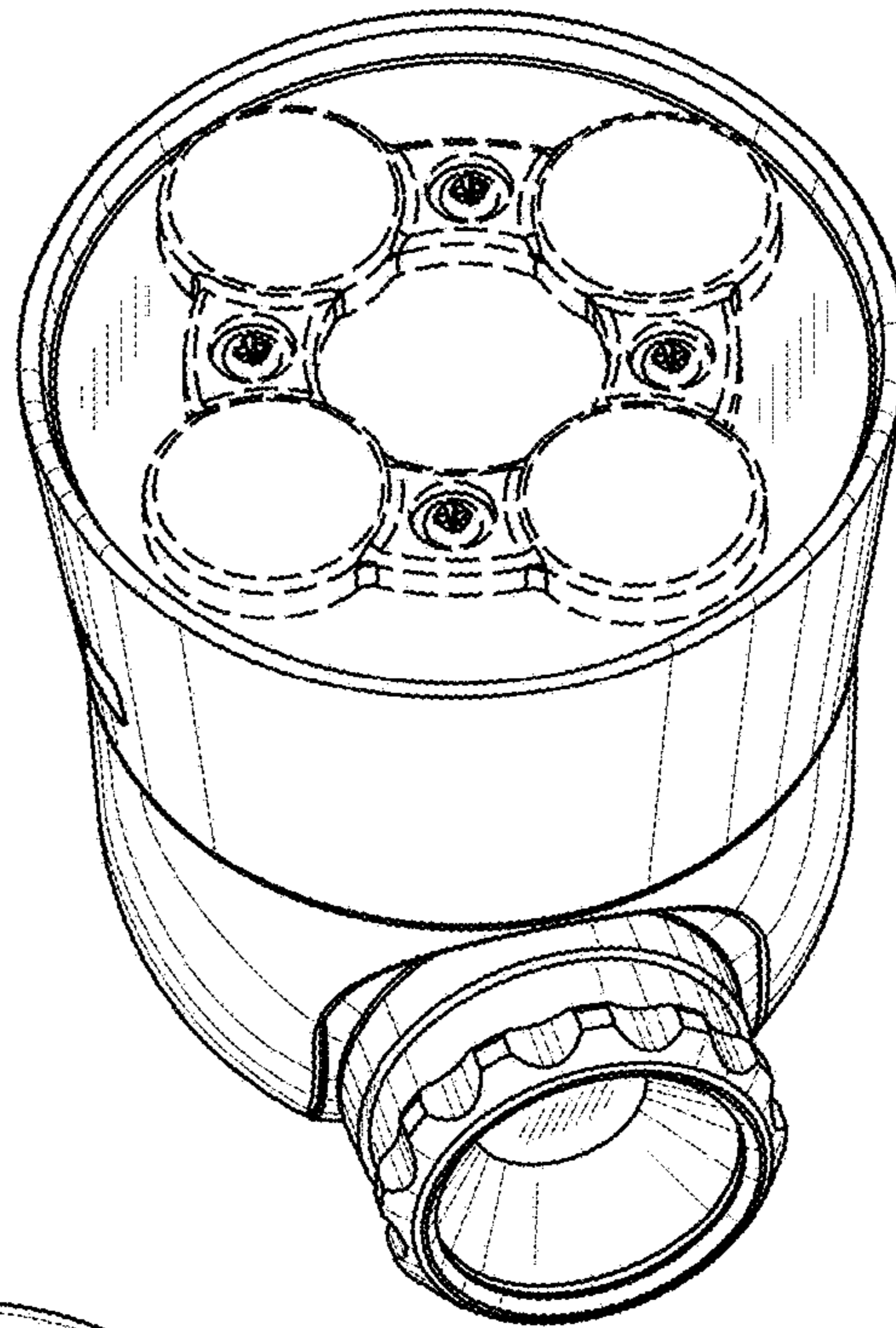


FIG. 1

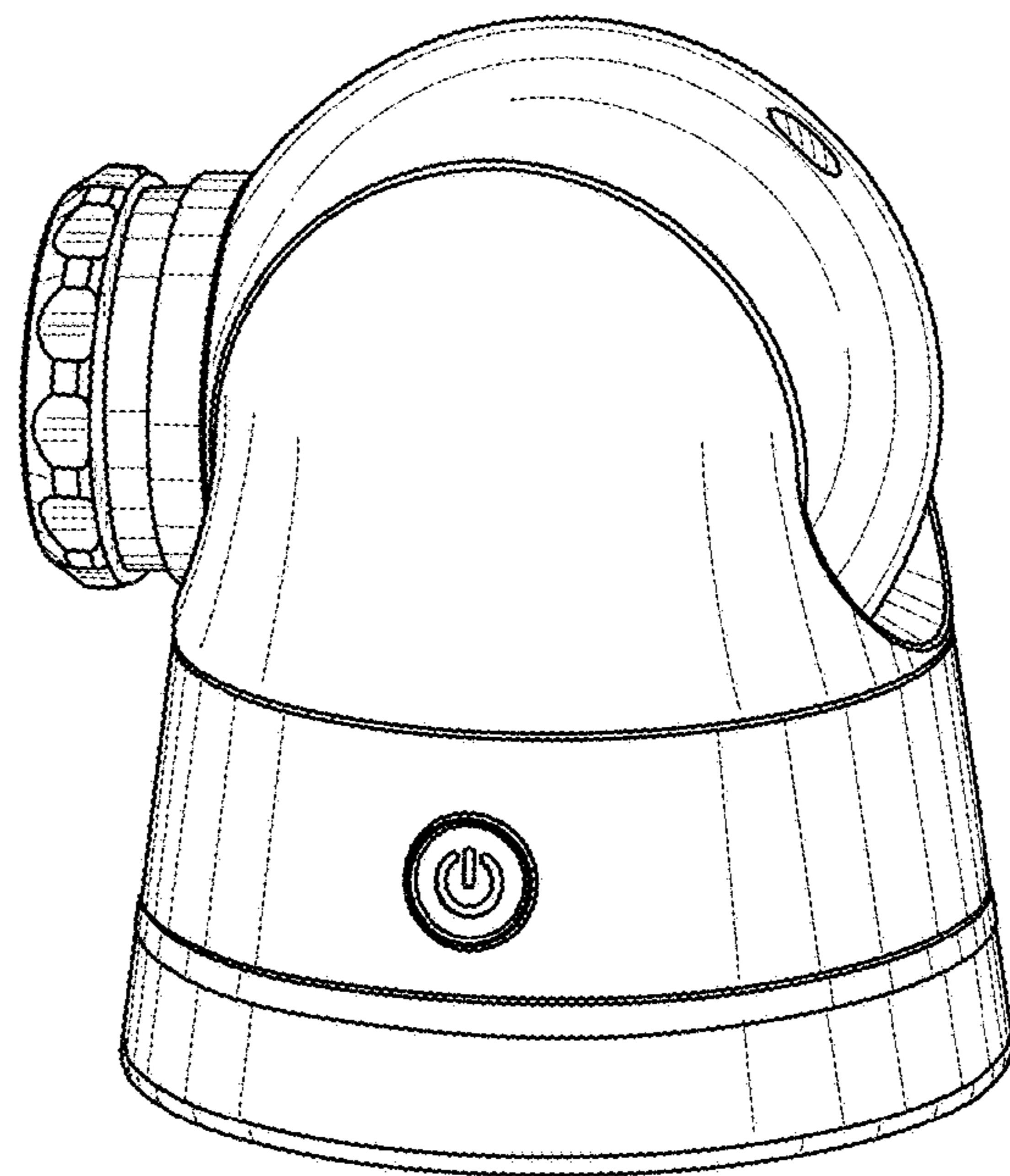


FIG. 2

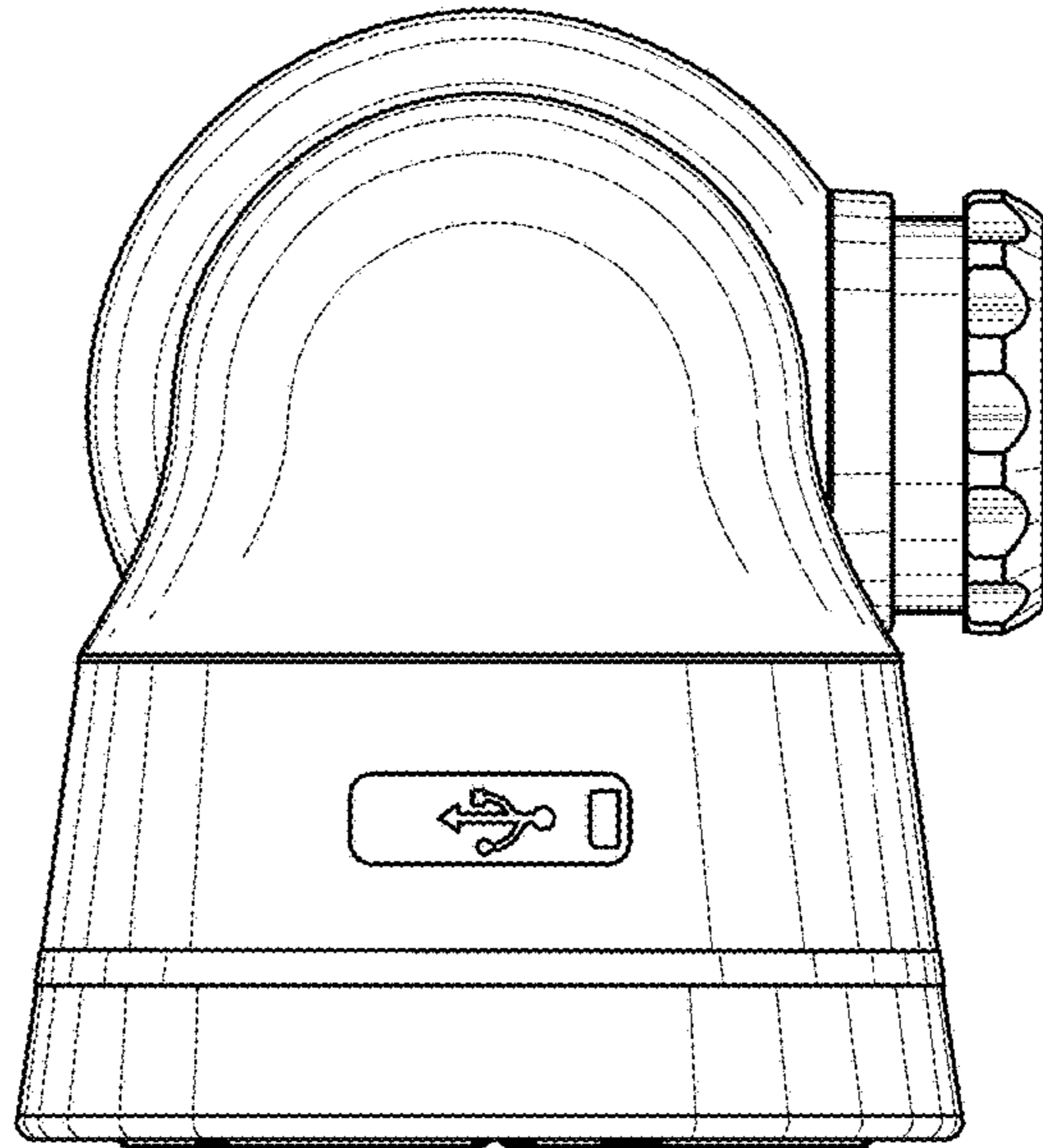


FIG. 3

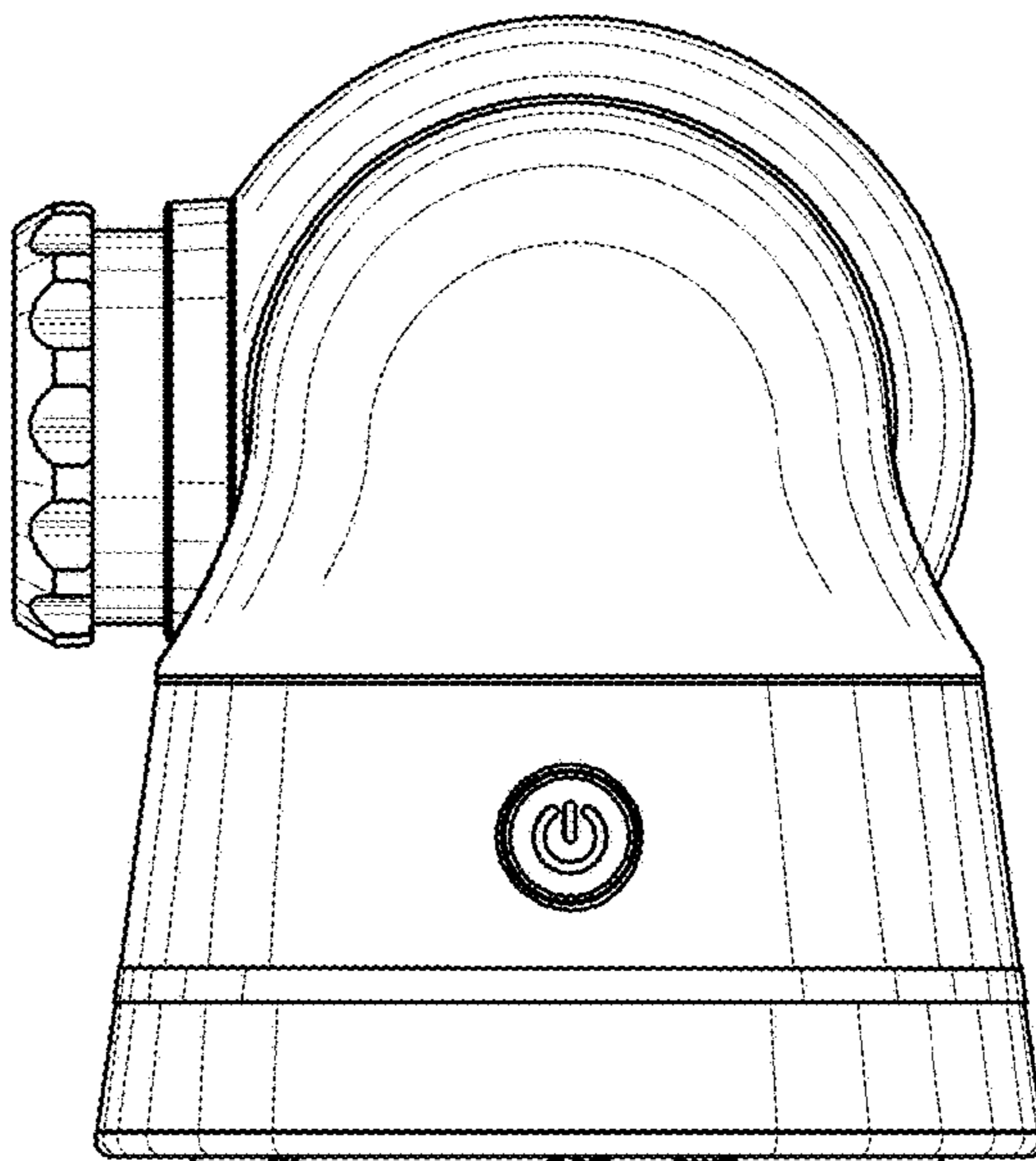


FIG. 4

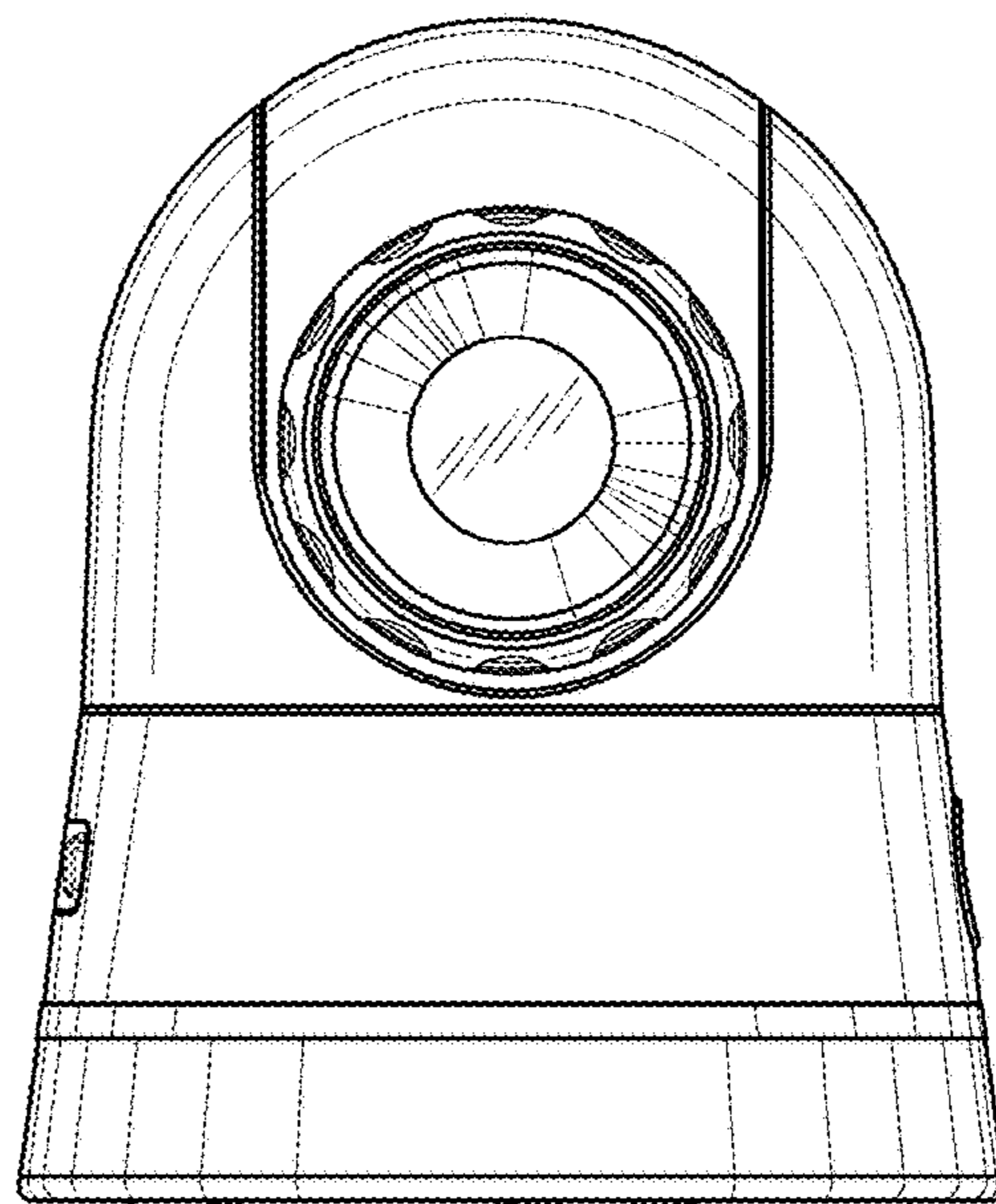


FIG. 5

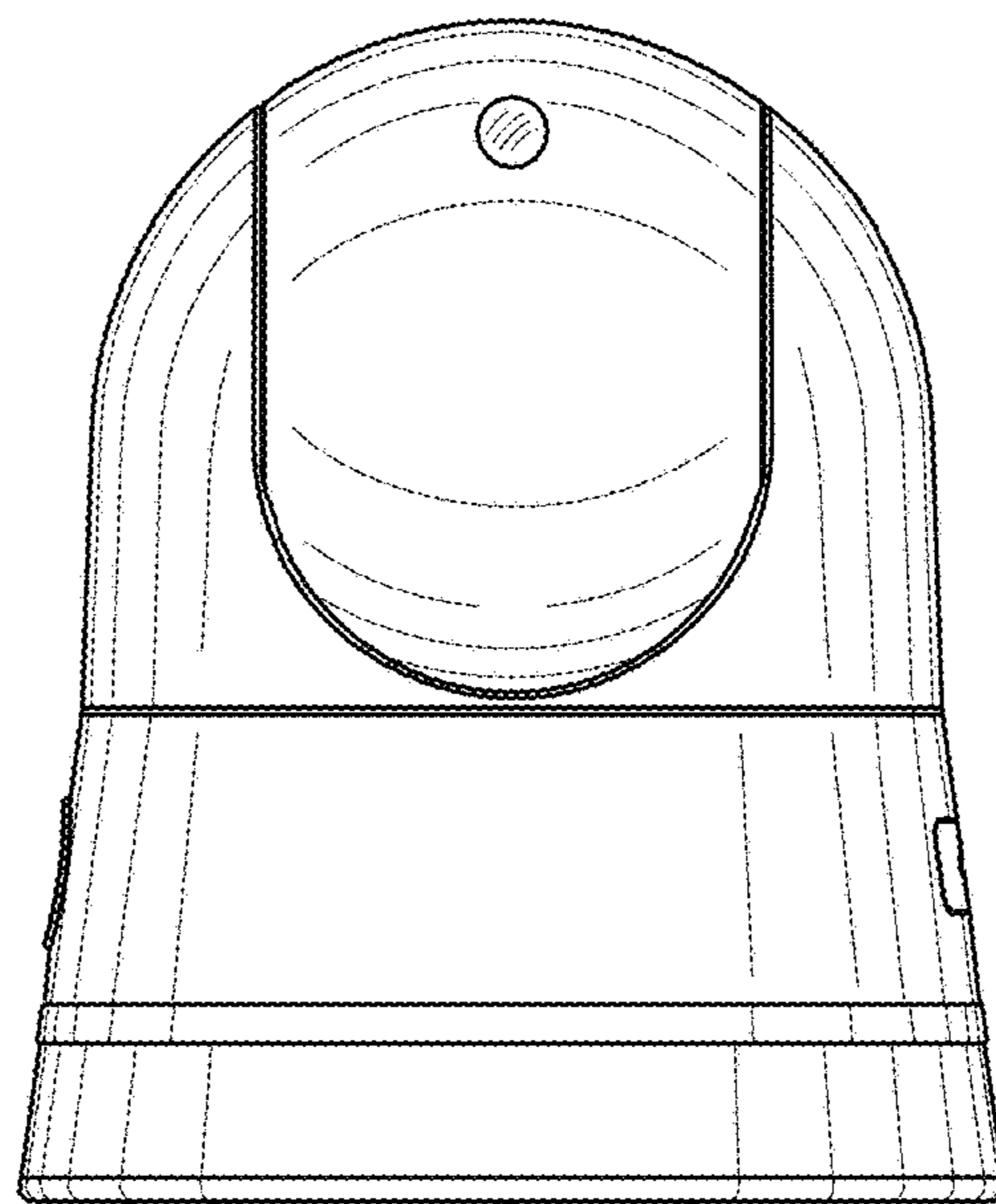


FIG. 6

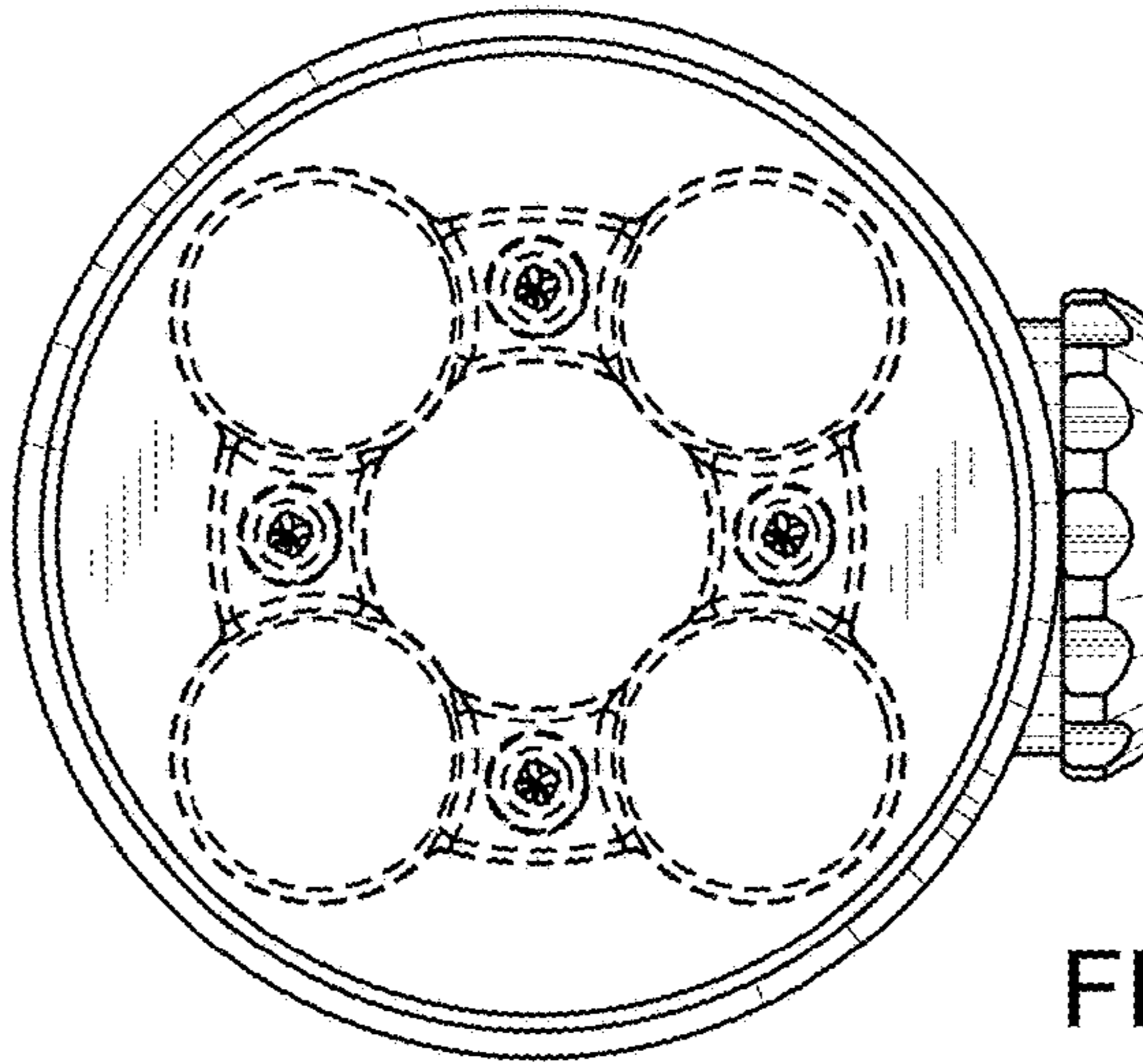


FIG. 7

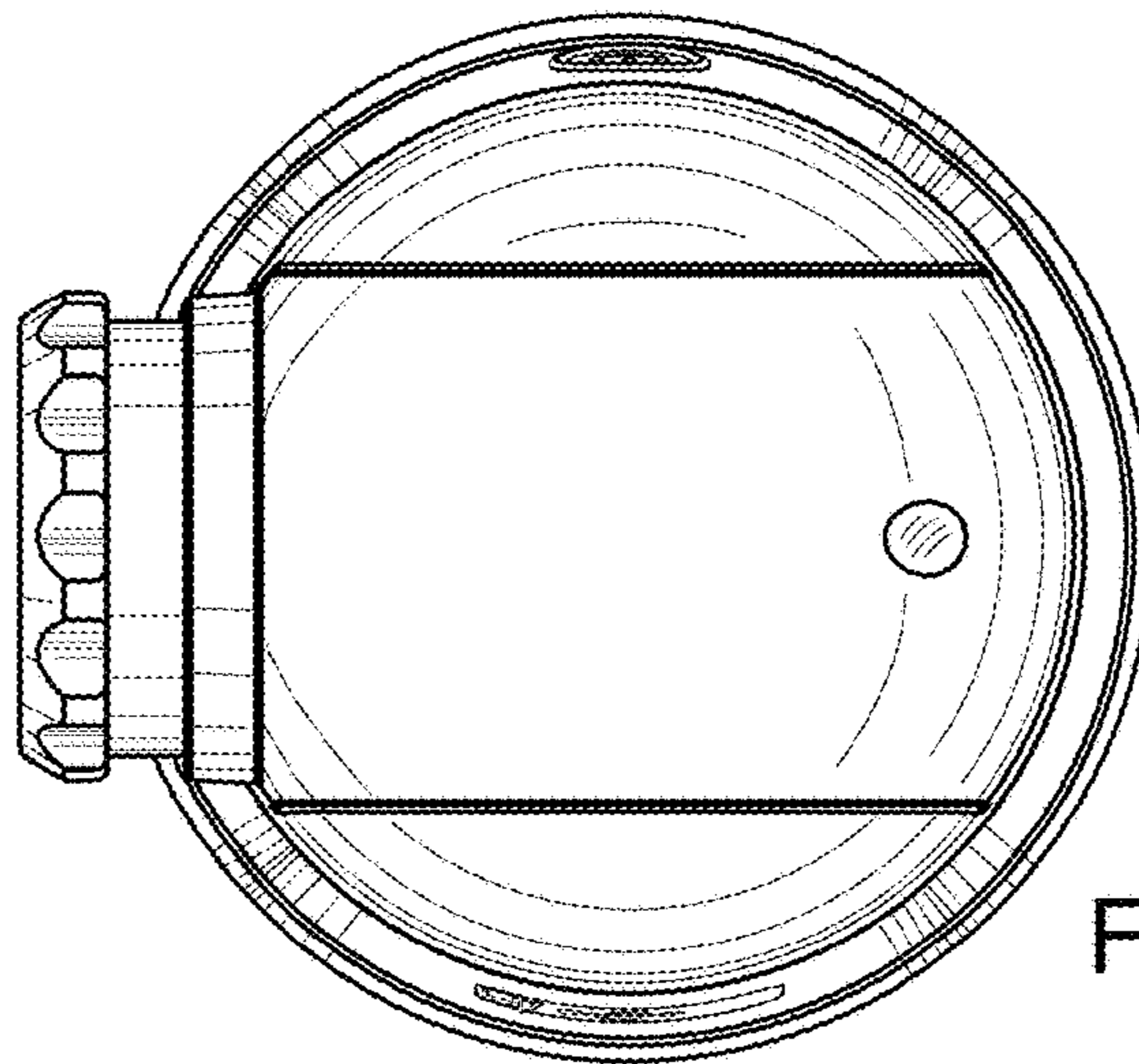


FIG. 8