



US00D859714S

(12) **United States Design Patent**
Hodgson

(10) **Patent No.:** **US D859,714 S**

(45) **Date of Patent:** **** Sep. 10, 2019**

(54) **LAMP**

(71) Applicant: **The Daylight Company (Holdings) Limited**, London (GB)

(72) Inventor: **Fraser Hodgson**, London (GB)

(73) Assignee: **The Daylight Company (Holdings) Limited** (GB)

(**) Term: **15 Years**

(21) Appl. No.: **29/617,660**

(22) Filed: **Sep. 15, 2017**

(30) **Foreign Application Priority Data**

May 19, 2017 (EM) 004008837-0002

(51) **LOC (12) Cl.** **26-03**

(52) **U.S. Cl.**
USPC **D26/60; D26/62**

(58) **Field of Classification Search**

USPC D26/1, 24, 60, 61, 62, 72, 93, 106, 110
CPC F21S 6/00; F21S 6/002; F21S 6/003; F21S 6/004; F21S 6/005; F21S 6/006; F21S 6/007; F21V 21/02; F21V 21/088; F21W 2121/00; F21W 2131/30

See application file for complete search history.

(56) **References Cited**

U.S. PATENT DOCUMENTS

D377,990 S * 2/1997 Nakano D26/65
D456,546 S * 4/2002 Bernard D26/64

D459,513 S * 6/2002 Newhouse D26/60
D525,381 S * 7/2006 Hodgson D26/60
D585,578 S * 1/2009 Levine D26/61
D653,582 S * 2/2012 Smith D11/79
D707,870 S * 6/2014 Hodgson D26/62
D790,751 S * 6/2017 Kaiser D26/107
D812,794 S * 3/2018 Pickens D26/43
D818,170 S * 5/2018 Mou D26/63

* cited by examiner

Primary Examiner — Brian N. Vinson

(74) *Attorney, Agent, or Firm* — Laubscher & Laubscher, P.C.

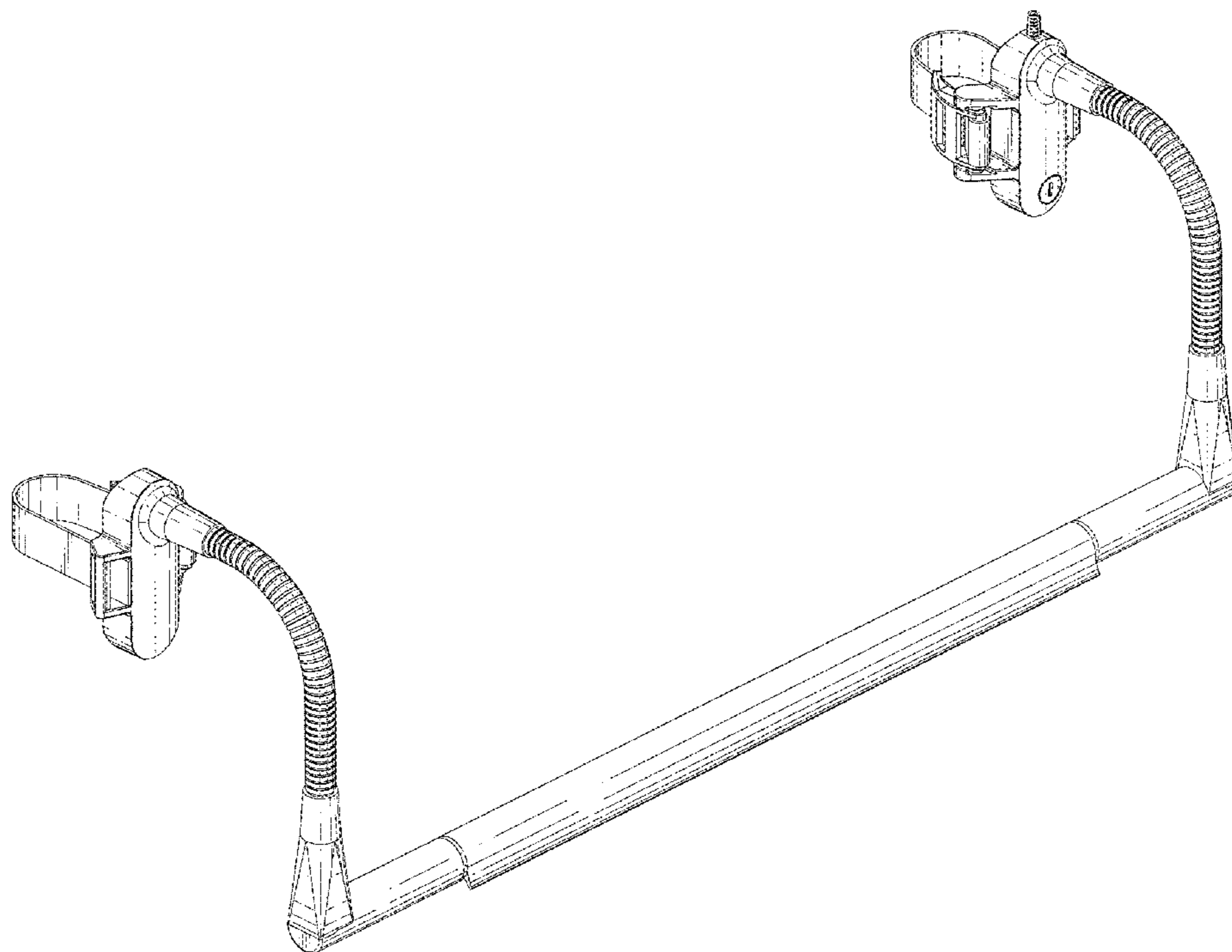
(57) **CLAIM**

The ornamental design for a lamp, as shown.

DESCRIPTION

FIG. 1 is a front perspective view thereof;
FIG. 2 is a rear perspective view thereof;
FIG. 3 is a front elevation view thereof;
FIG. 4 is a rear elevation view thereof;
FIG. 5 is a left side elevation view thereof;
FIG. 6 is a right side elevation view thereof;
FIG. 7 is a top elevation view thereof; and,
FIG. 8 is a bottom elevation view thereof.

1 Claim, 8 Drawing Sheets



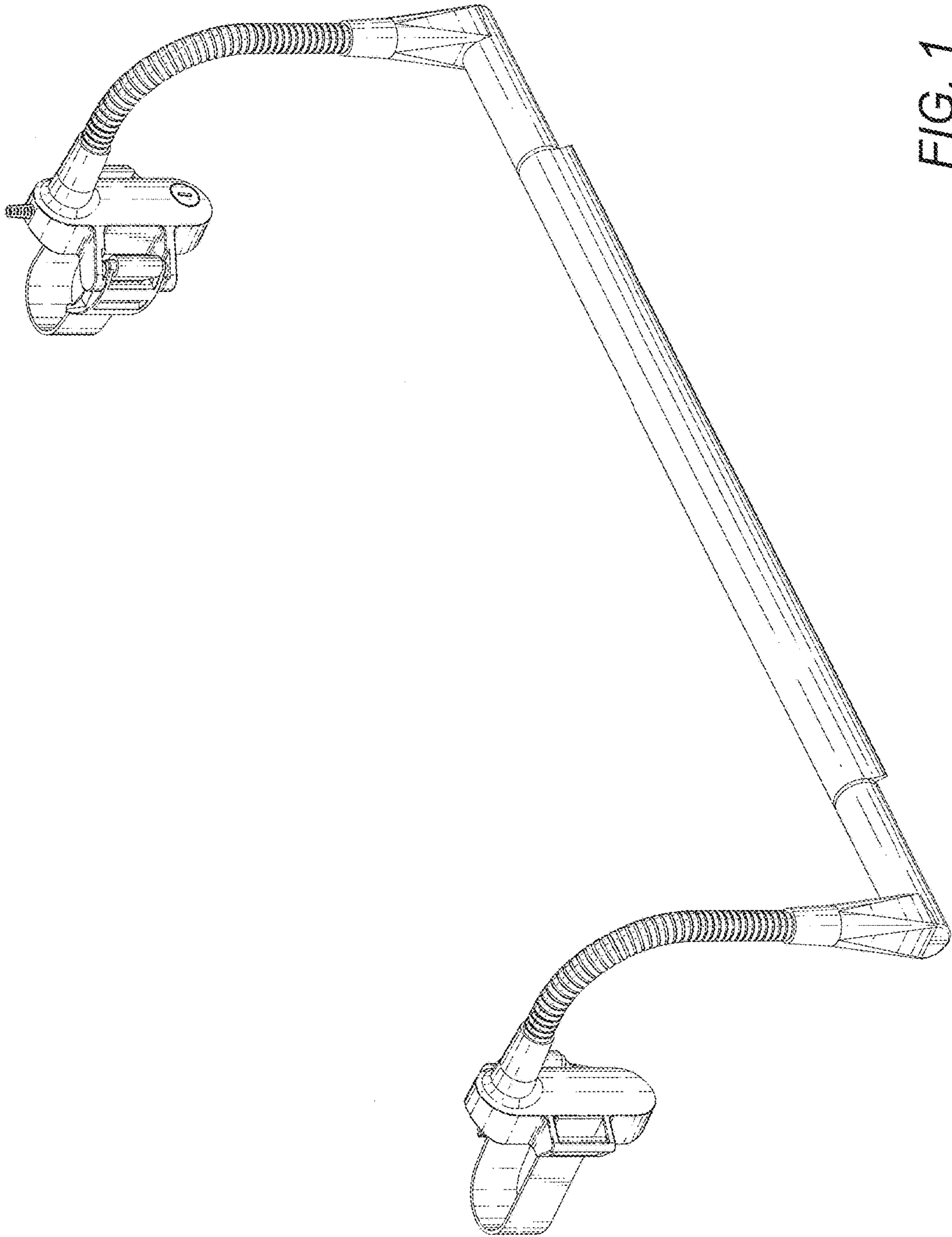


FIG. 1

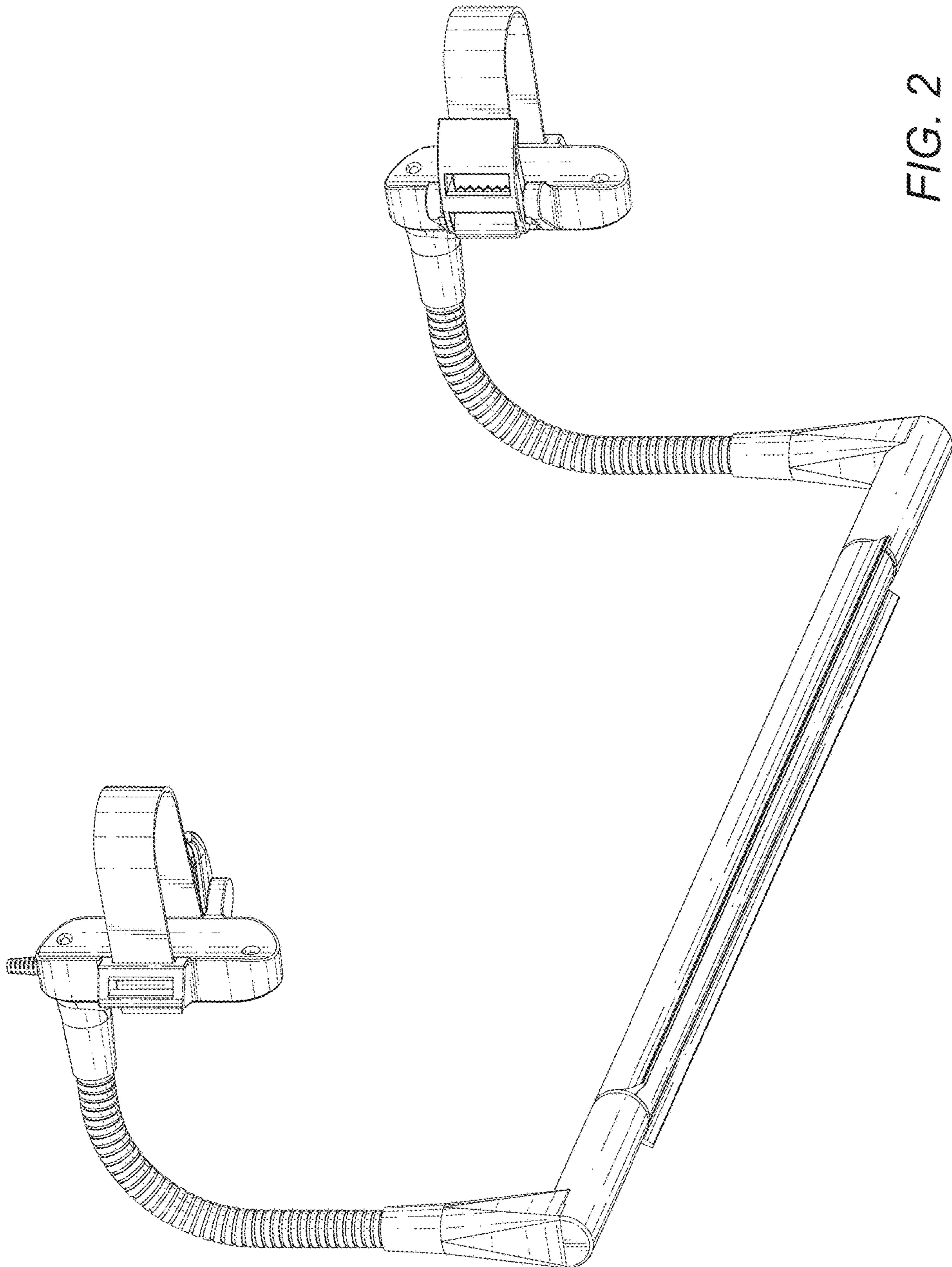


FIG. 2

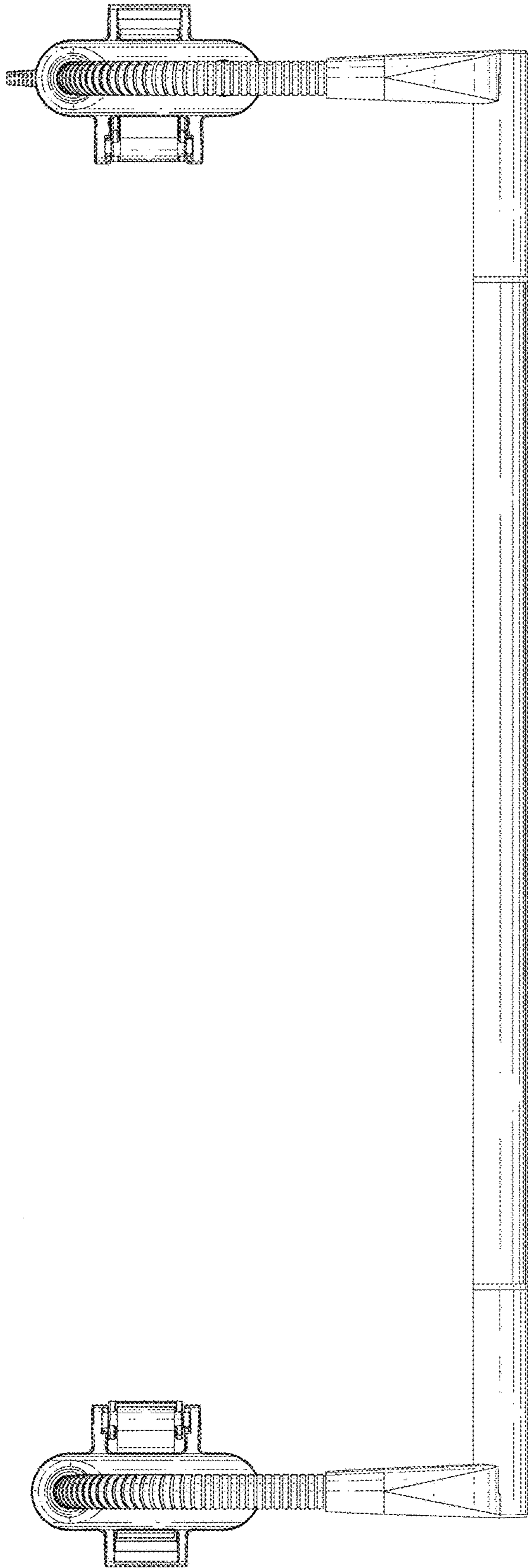


FIG. 3

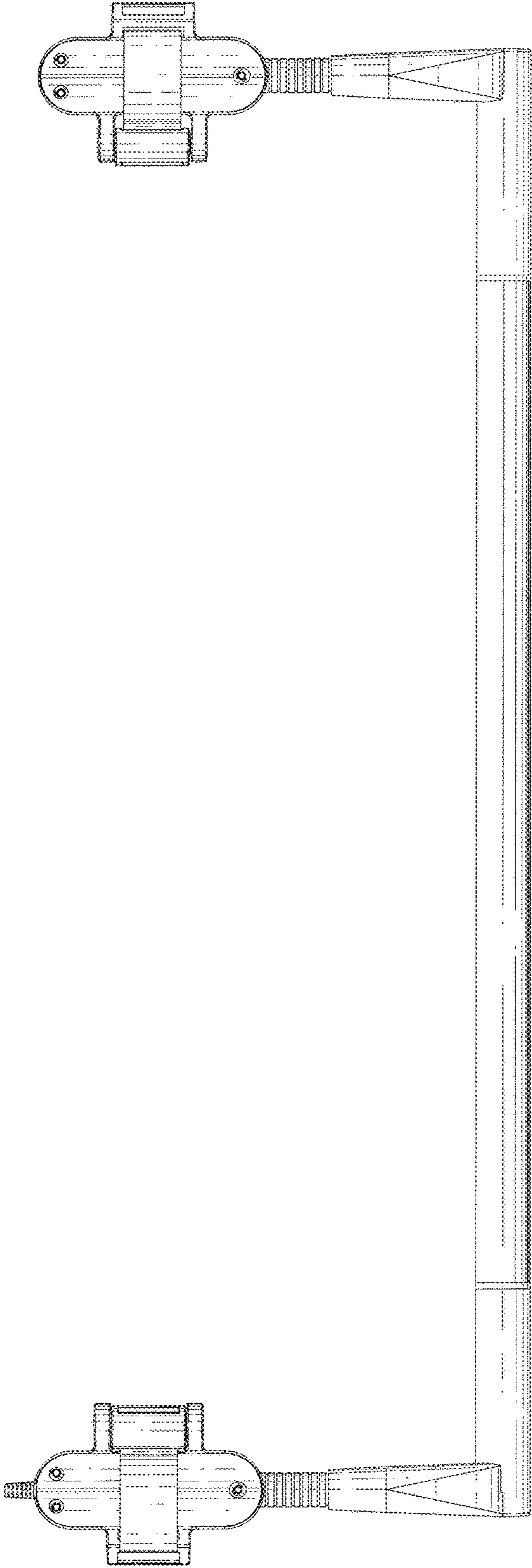


FIG. 4

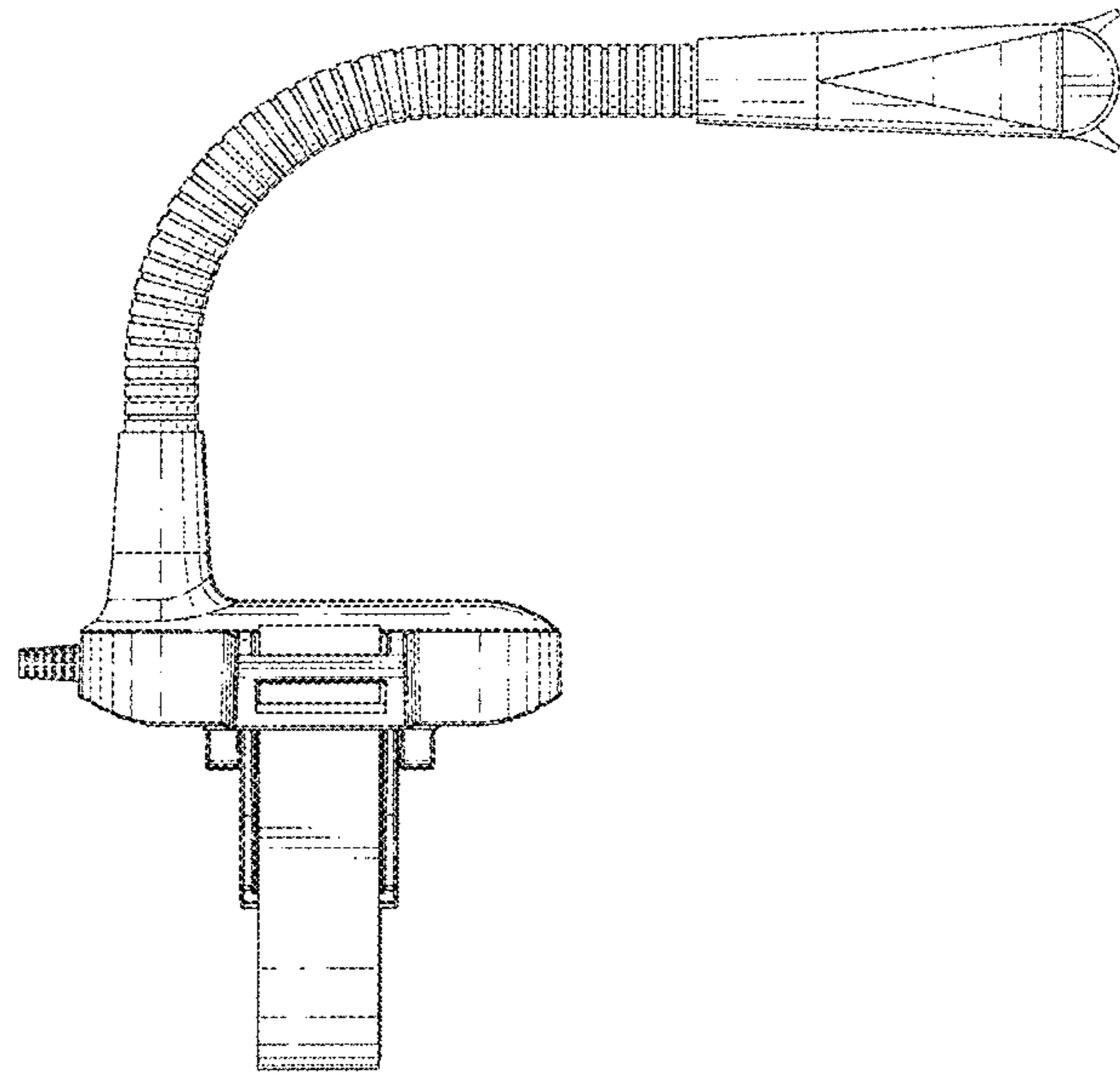


FIG. 5

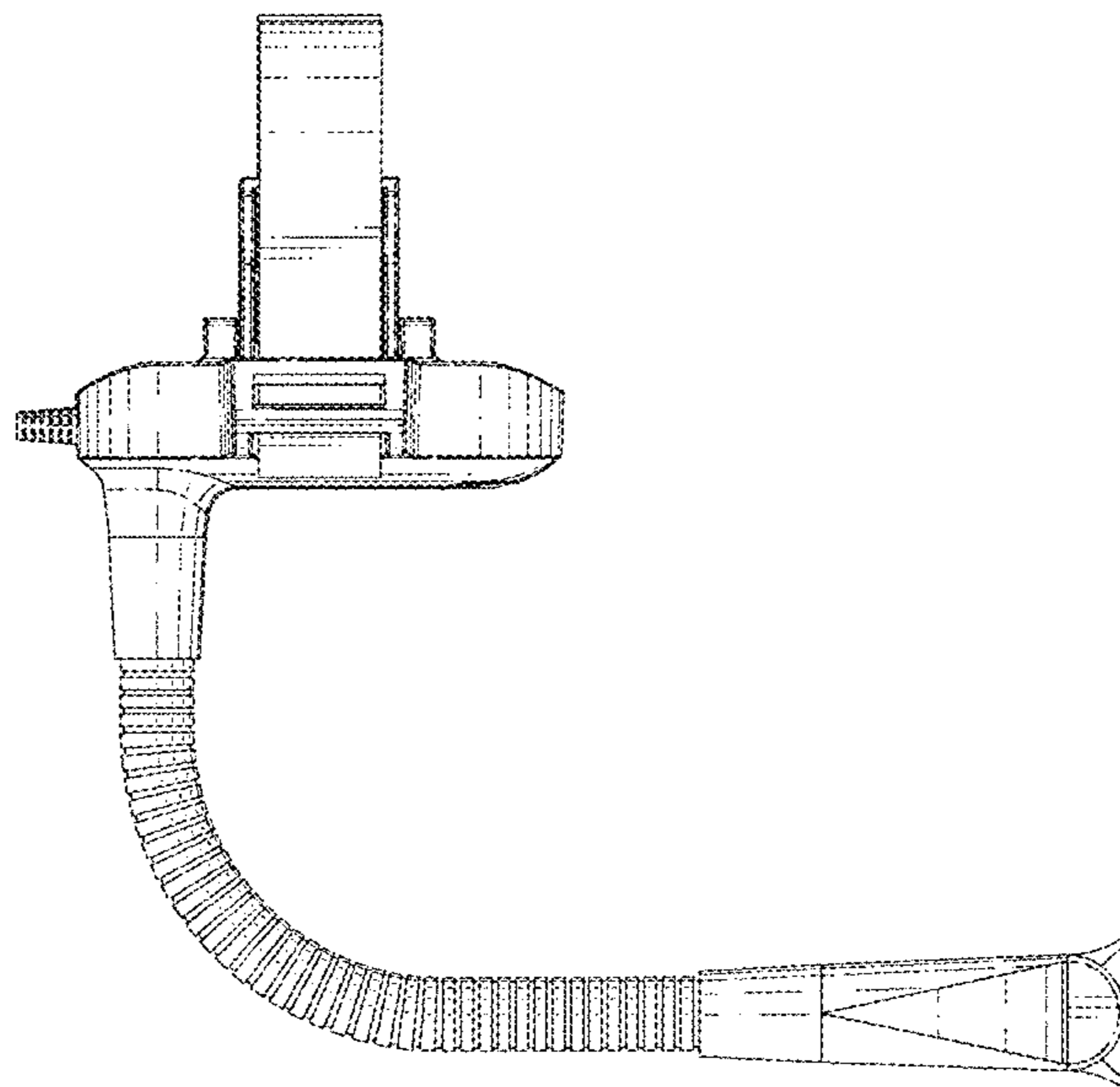


FIG. 6

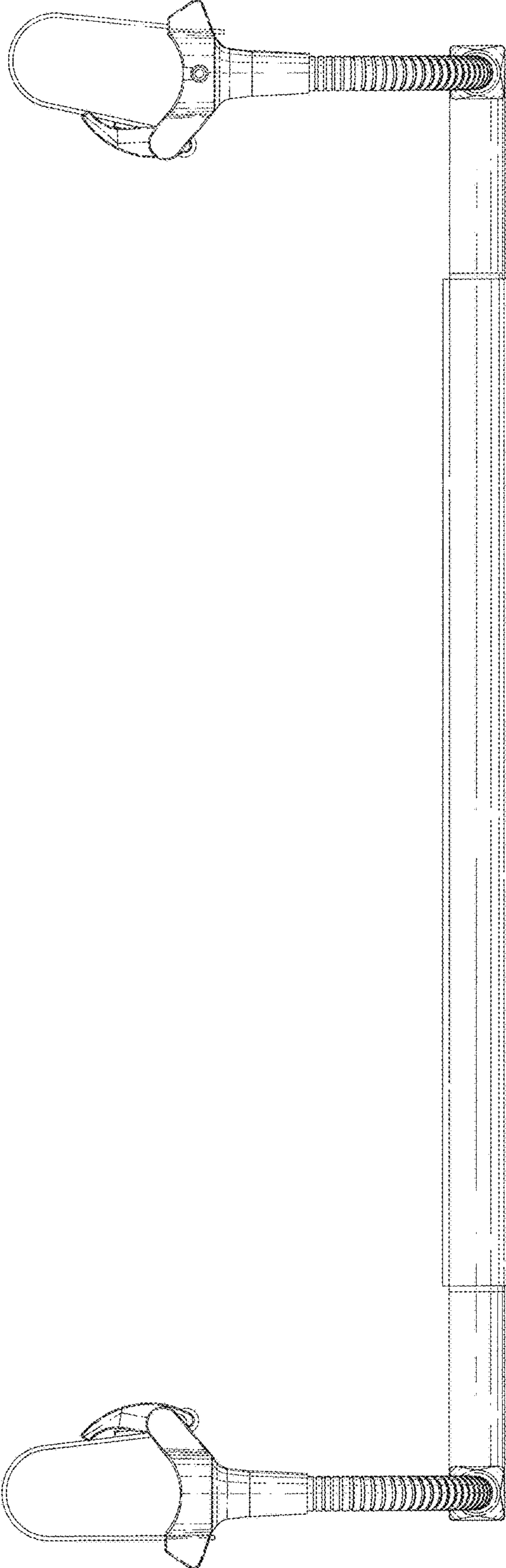


FIG. 7

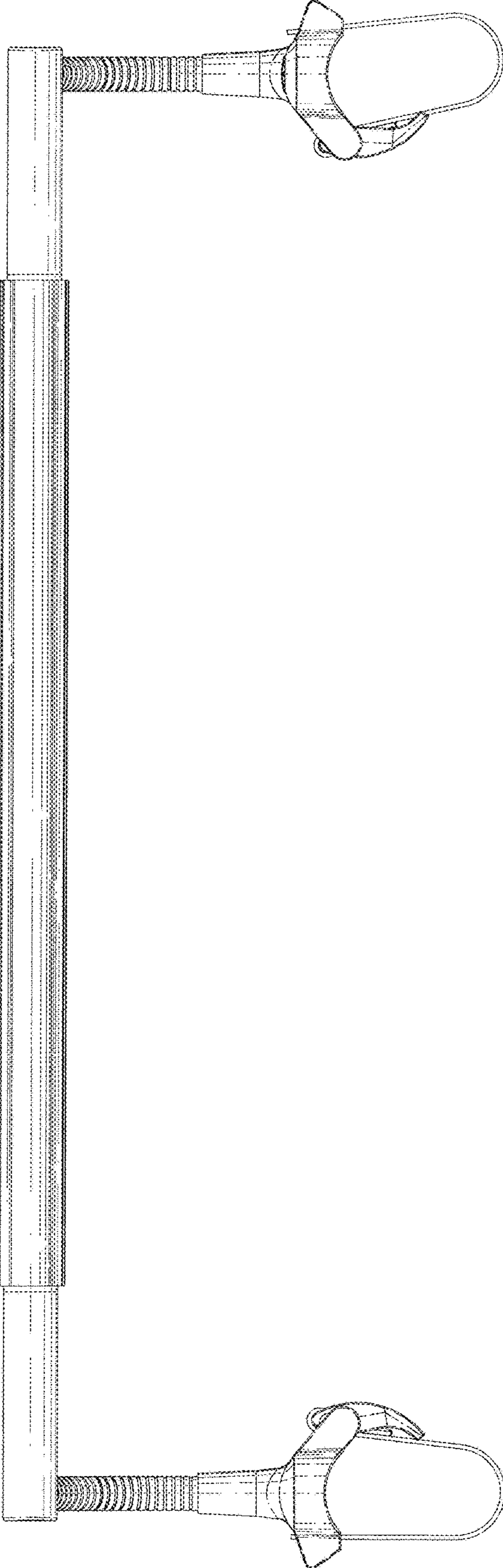


FIG. 8