



US00D859713S

(12) **United States Design Patent**
Hodgson

(10) **Patent No.:** **US D859,713 S**

(45) **Date of Patent:** **** Sep. 10, 2019**

(54) **LAMP**

(71) Applicant: **The Daylight Company (Holdings) Limited, London (GB)**

(72) Inventor: **Fraser Hodgson, London (GB)**

(73) Assignee: **The Daylight Company (Holdings) Limited (GB)**

(**) Term: **15 Years**

(21) Appl. No.: **29/617,644**

(22) Filed: **Sep. 15, 2017**

(51) **LOC (12) Cl.** **26-03**

(52) **U.S. Cl.**
USPC **D26/60; D26/62**

(58) **Field of Classification Search**
USPC D26/1, 24, 61, 62, 72, 93, 106, 110
CPC F21S 6/00; F21S 6/002; F21S 6/003; F21S 6/004; F21S 6/005; F21S 6/006; F21S 6/007; F21V 21/02; F21V 21/088; F21W 2121/00; F21W 2131/30
See application file for complete search history.

(56) **References Cited**

U.S. PATENT DOCUMENTS

- 4,238,816 A * 12/1980 Merlo F21S 6/003
362/279
- 4,692,850 A * 9/1987 LeDoux F21V 21/02
362/285

- D498,321 S * 11/2004 Terry D26/60
- D525,381 S * 7/2006 Hodgson D26/60
- D555,272 S * 11/2007 Iai D26/62
- D563,582 S * 3/2008 Levine D26/63
- D707,870 S * 6/2014 Hodgson D26/62
- D764,096 S * 8/2016 Bi D26/93
- D790,751 S * 6/2017 Kaiser D26/107
- D812,794 S * 3/2018 Pickens D26/43

* cited by examiner

Primary Examiner — Brian N. Vinson

(74) *Attorney, Agent, or Firm* — Laubscher & Laubscher, P.C.

(57) **CLAIM**

The ornamental design for a lamp, as shown.

DESCRIPTION

FIG. 1 is a front perspective view thereof;
FIG. 2 is a rear perspective view thereof;
FIG. 3 is a front elevation view thereof;
FIG. 4 is a rear elevation view thereof;
FIG. 5 is a left side elevation view thereof;
FIG. 6 is a right side elevation view thereof;
FIG. 7 is a top elevation view thereof; and,
FIG. 8 is a bottom elevation view thereof.

1 Claim, 8 Drawing Sheets

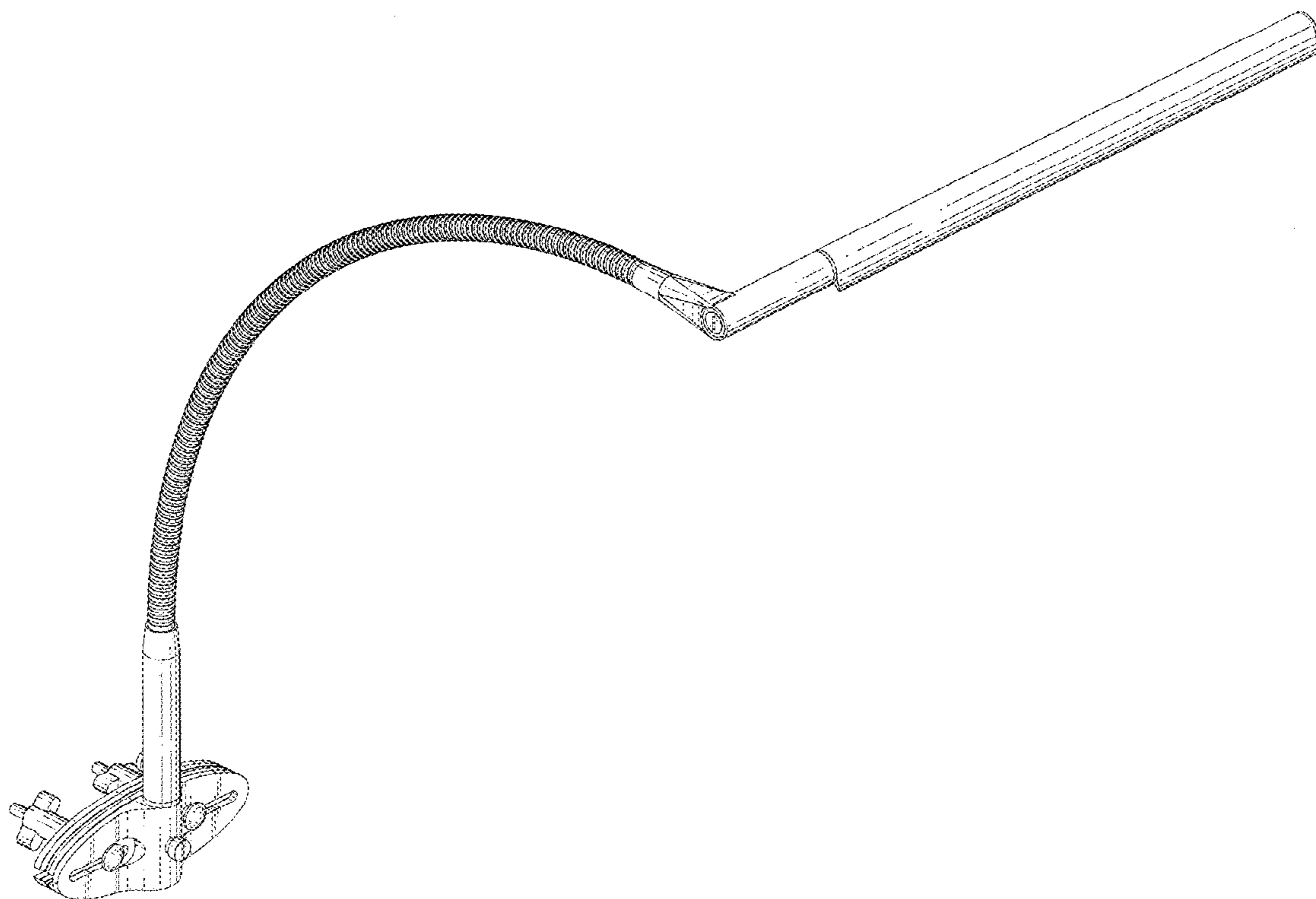




FIG. 1

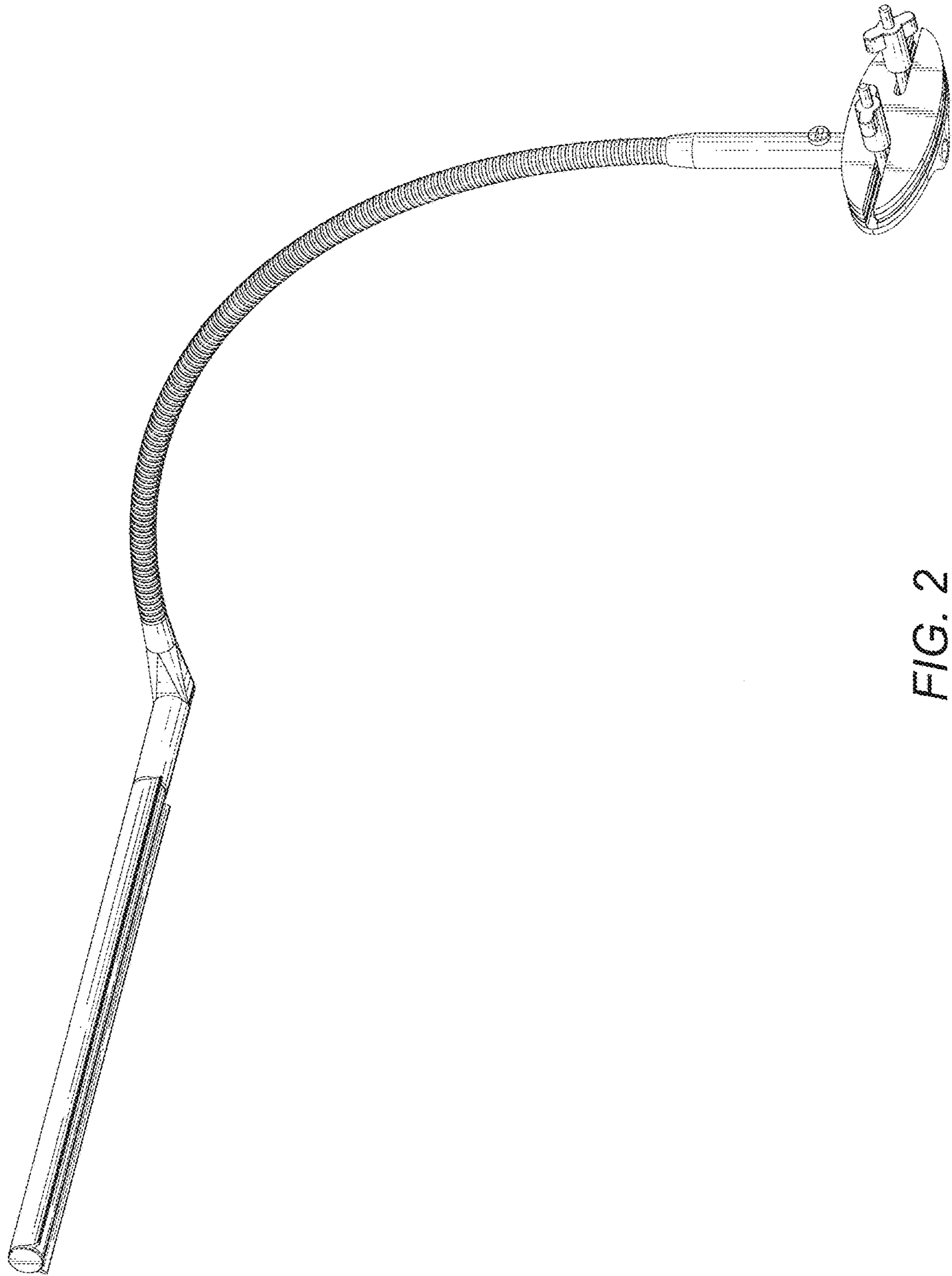


FIG. 2

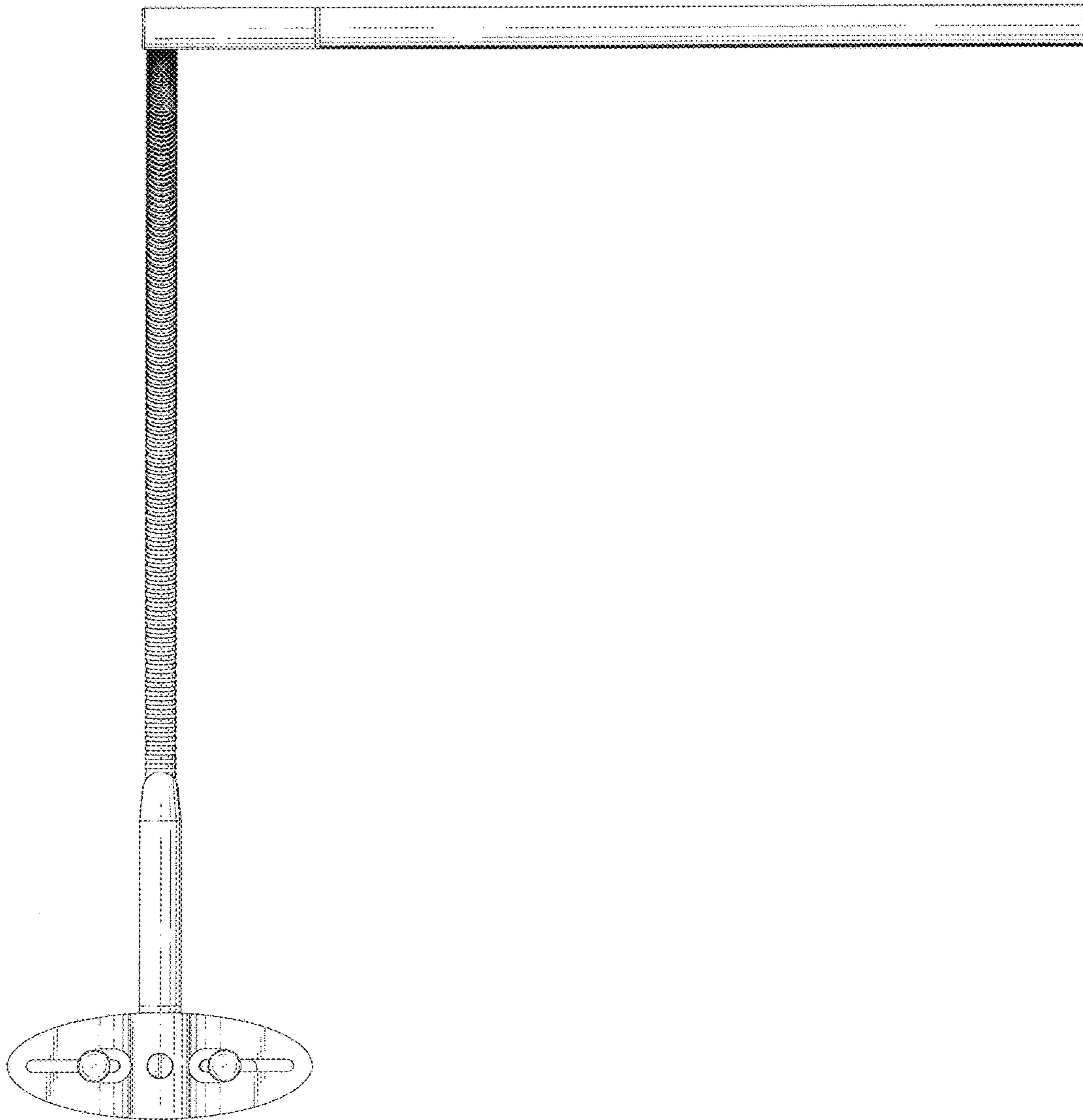


FIG. 3

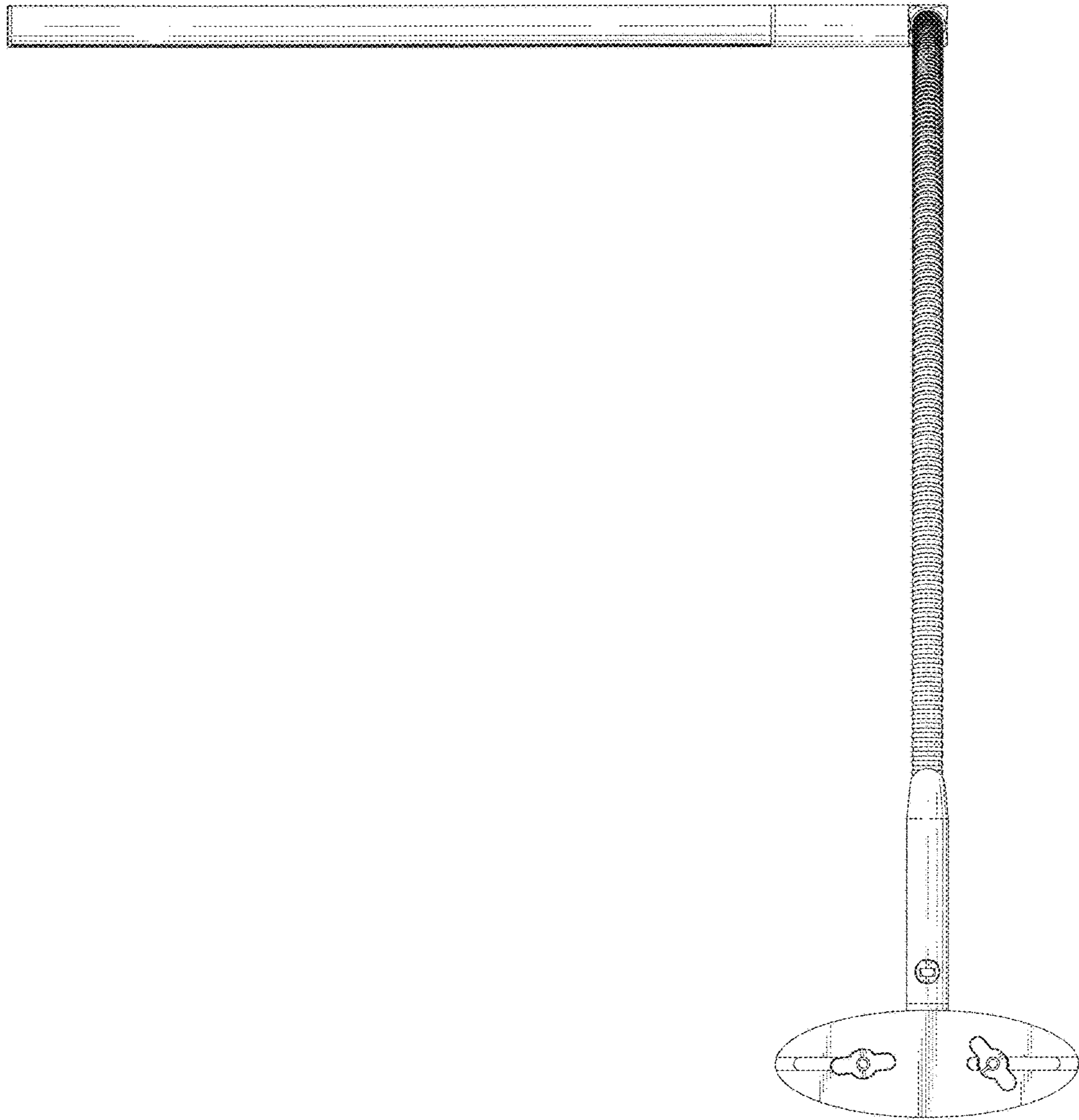


FIG. 4

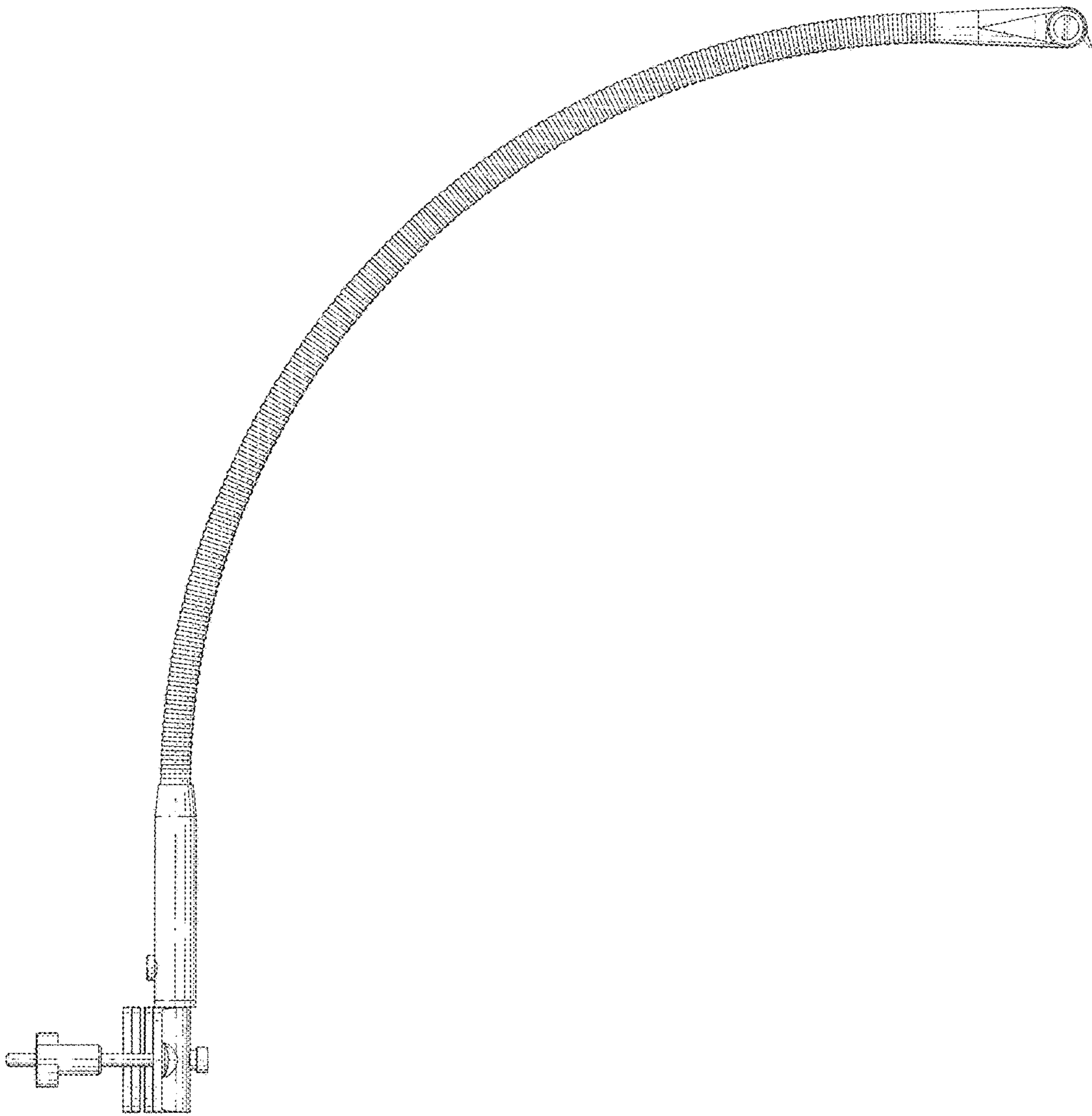


FIG. 5

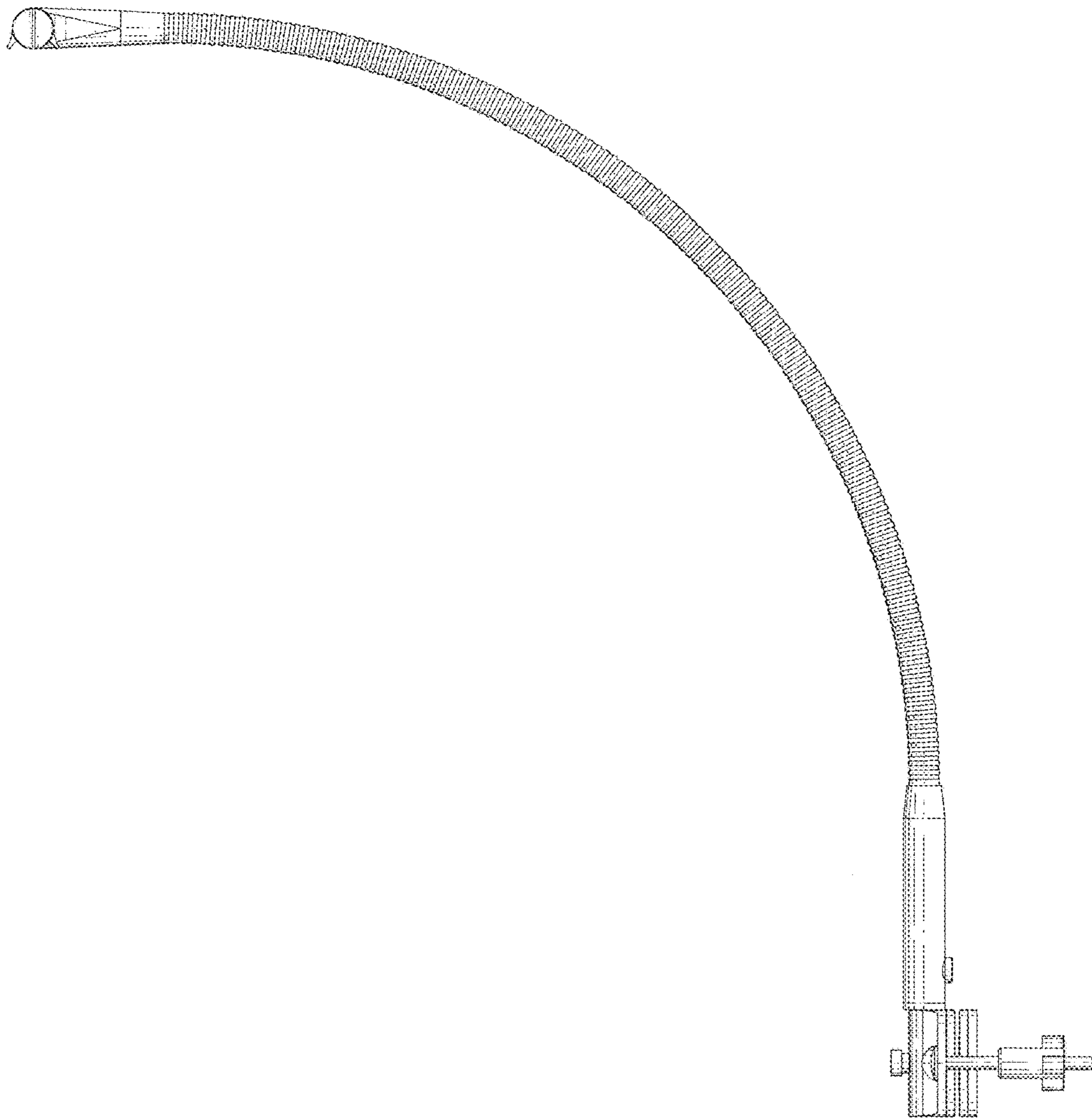


FIG. 6

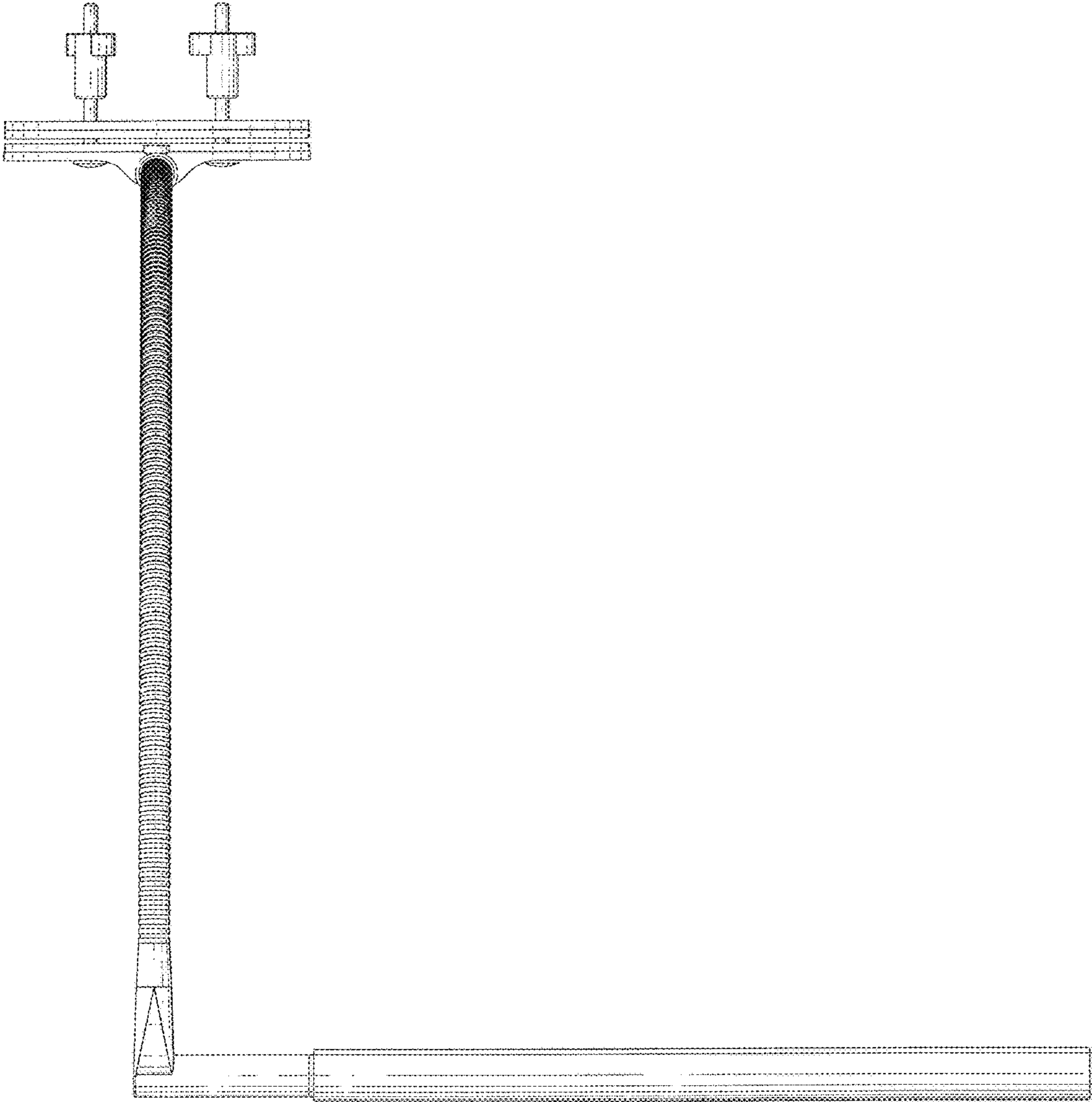


FIG. 7

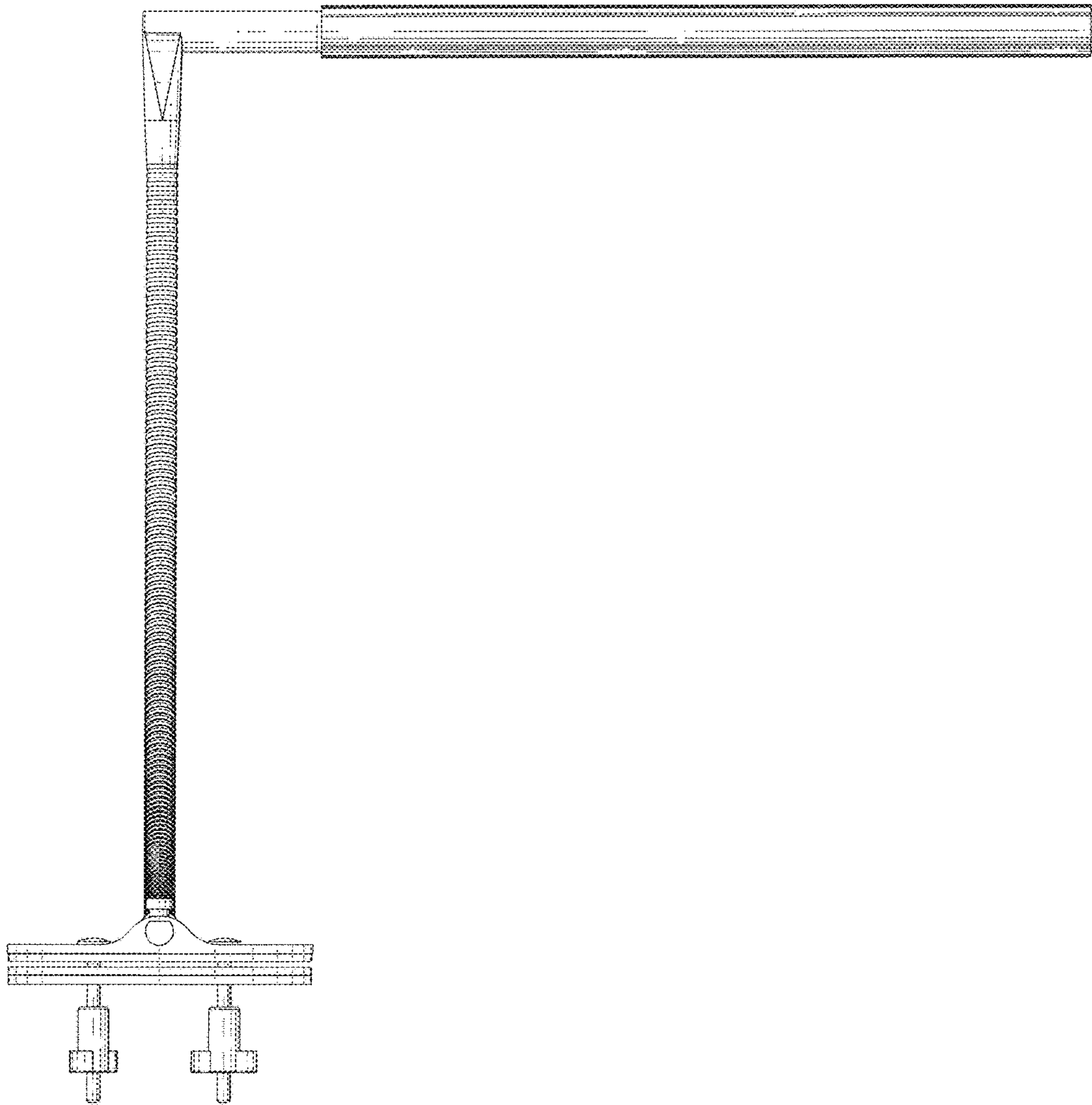


FIG. 8