



US00D859710S

(12) **United States Design Patent** (10) **Patent No.:** **US D859,710 S**
Choo et al. (45) **Date of Patent:** **** Sep. 10, 2019**

(54) **CENTER POSITION LAMP FOR AN AUTOMOBILE**

CPC .. F21S 41/00; F21S 43/00; F21S 43/20; F21S 43/26; B60Q 1/52; B60Q 1/44
See application file for complete search history.

(71) Applicants: **HYUNDAI MOTOR COMPANY**, Seoul (KR); **KIA MOTORS CORPORATION**, Seoul (KR)

(56) **References Cited**

U.S. PATENT DOCUMENTS

(72) Inventors: **Dong Hoon Choo**, Suwon-si (KR); **Yong Jun Heo**, Gwacheon-si (KR)

D373,432	S	*	9/1996	Wu	D26/28
D381,923	S	*	8/1997	Rowe	D10/114.2
D403,445	S	*	12/1998	Talebi	D26/28
D410,292	S	*	5/1999	Mayle	D26/28
D415,849	S	*	10/1999	Goldberg	D10/115
D418,929	S	*	1/2000	Allen	D10/114.1
D437,950	S	*	2/2001	Moore	D26/28
D438,655	S	*	3/2001	Newman	D26/28
D447,825	S	*	9/2001	Lee	D26/28
D472,986	S	*	4/2003	Kim	D26/28
D489,144	S	*	4/2004	Dalton, Jr.	D26/28
D495,812	S	*	9/2004	Hilborn	D26/28
D509,610	S	*	9/2005	Foo	D26/28
D512,790	S	*	12/2005	Handsaker	D26/28
7,036,965	B2	*	5/2006	Dalton, Jr.	B60Q 1/268 362/240
D581,074	S	*	11/2008	Starr	D26/31
D634,054	S	*	3/2011	Janssen	D26/85
8,192,063	B2	*	6/2012	Neufeglise	B60Q 1/52 362/249.11
D738,551	S	*	9/2015	Diephuis	D26/28

(73) Assignees: **Hyundai Motor Company**, Seoul (KR); **Kia Motors Corporation**, Seoul (KR)

(**) Term: **15 Years**

(21) Appl. No.: **35/505,174**

(22) Filed: **Dec. 28, 2017**

(80) **Hague Agreement Data**

Int. Filing Date: **Dec. 28, 2017**

Int. Reg. No.: **DM/099852**

Int. Reg. Date: **Dec. 28, 2017**

Int. Reg. Pub. Date: **Jun. 29, 2018**

(30) **Foreign Application Priority Data**

Jun. 30, 2017 (KR) 30-2017-0030223

(51) **LOC (12) Cl.** **26-06**

(52) **U.S. Cl.**
USPC **D26/28**
CPC **B60Q 1/52** (2013.01)

(58) **Field of Classification Search**
USPC D26/28-36; 362/238, 239, 249.03,
362/249.07, 249.11, 540-545, 523,
362/529-532

(Continued)

Primary Examiner — Richard E Chilcot

(74) *Attorney, Agent, or Firm* — Mintz Levin Cohn Ferris Glovsky and Popeo, P.C.; Kongsik Kim

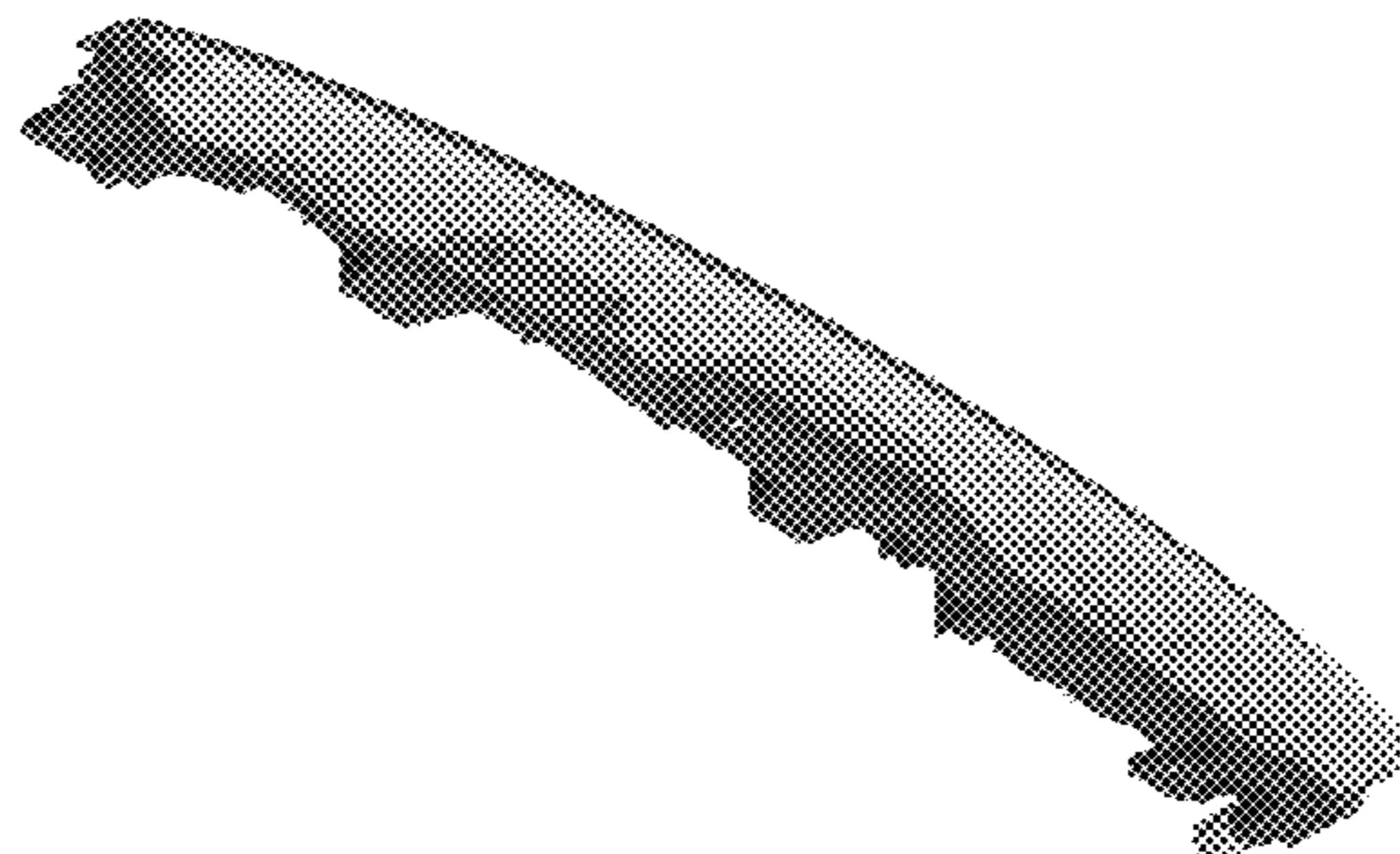
(57) **CLAIM**

The ornamental design for a center position lamp for an automobile, as shown and described.

DESCRIPTION

1. Center position lamp for an automobile
 - 1.1 : Perspective
 - 1.2 : Front
 - 1.3 : Back
 - 1.4 : Left
 - 1.5 : Right
 - 1.6 : Top

(Continued)



- 1.7 : Bottom
- 1.8 : Front-bottom perspective view
- 1.9 : Rear-bottom perspective view

1 Claim, 9 Drawing Sheets

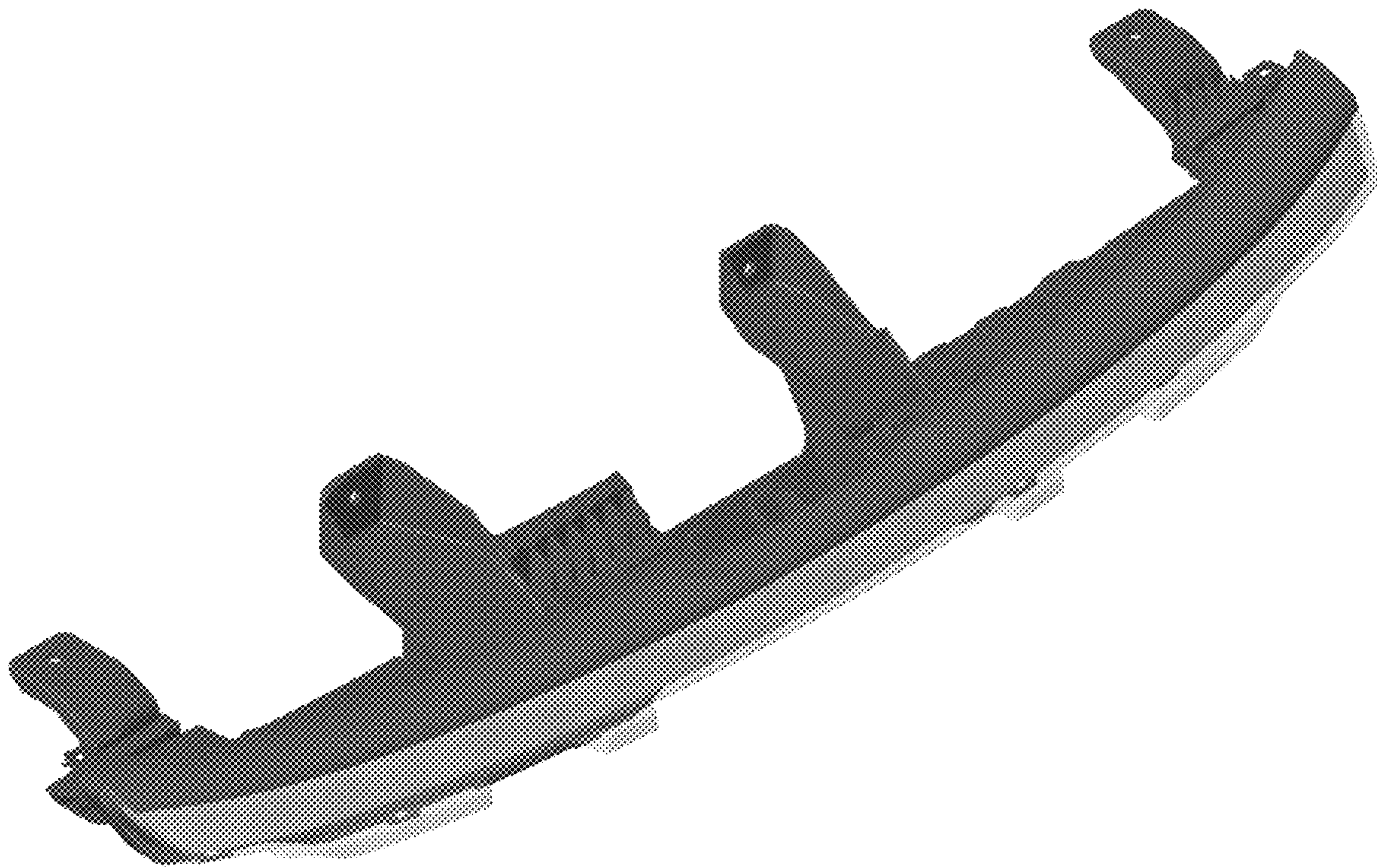
(56) **References Cited**

U.S. PATENT DOCUMENTS

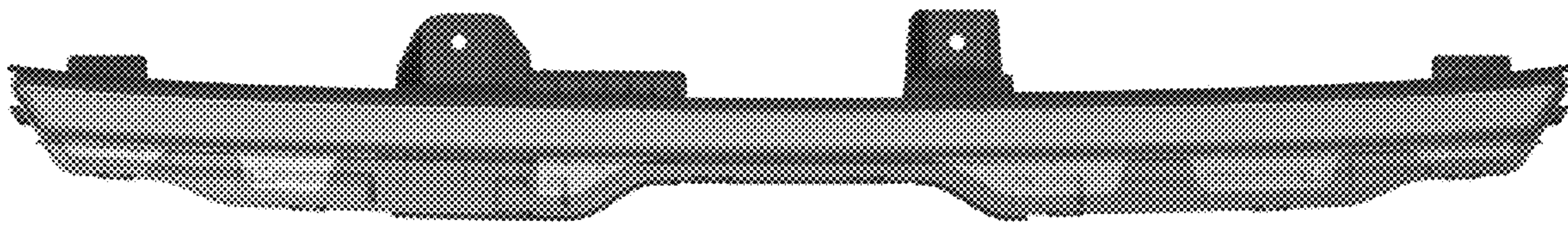
D751,233 S *	3/2016	Wolff	D26/28
D765,891 S *	9/2016	Varga	D26/28
D775,751 S *	1/2017	Jones, Jr.	D26/28
D791,375 S *	7/2017	Lichte	D26/28
D795,472 S *	8/2017	Leutiger	D26/28
D799,081 S *	10/2017	Lin	D26/28
D802,183 S *	11/2017	Leutiger	D26/28
D822,237 S *	7/2018	Woodhouse	D26/28
D822,243 S *	7/2018	Lee	D26/28
D833,041 S *	11/2018	Loew	D26/28
D838,017 S *	1/2019	Nurnberger	D26/28
D838,018 S *	1/2019	Nurnberger	D26/28

* cited by examiner

1.1



1.2



1.3



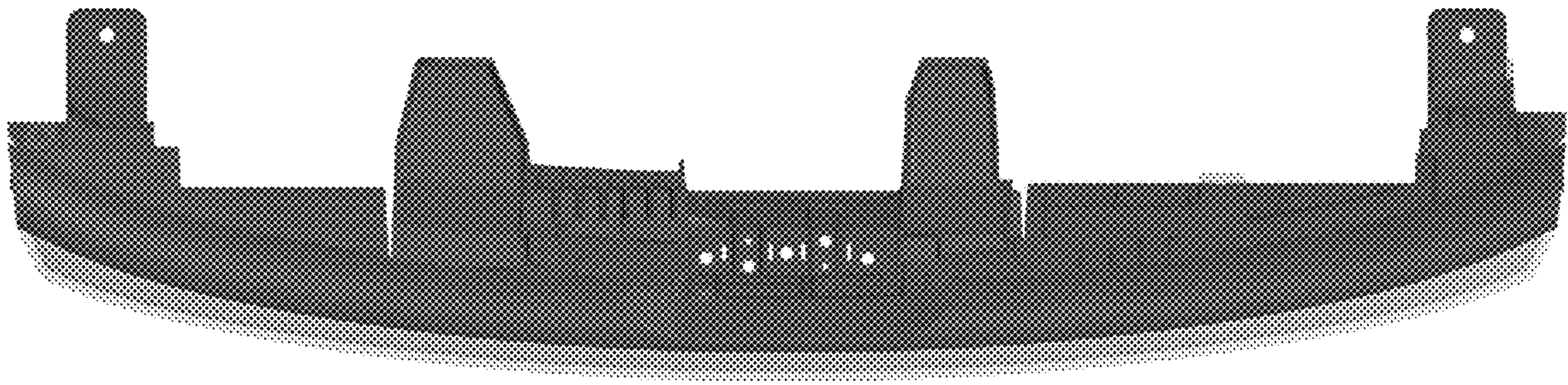
1.4



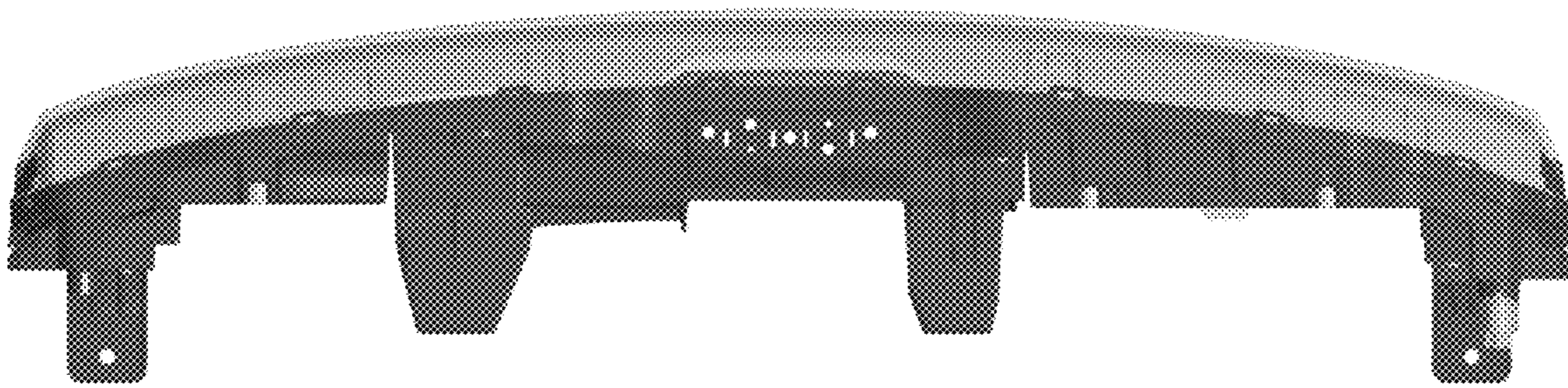
1.5



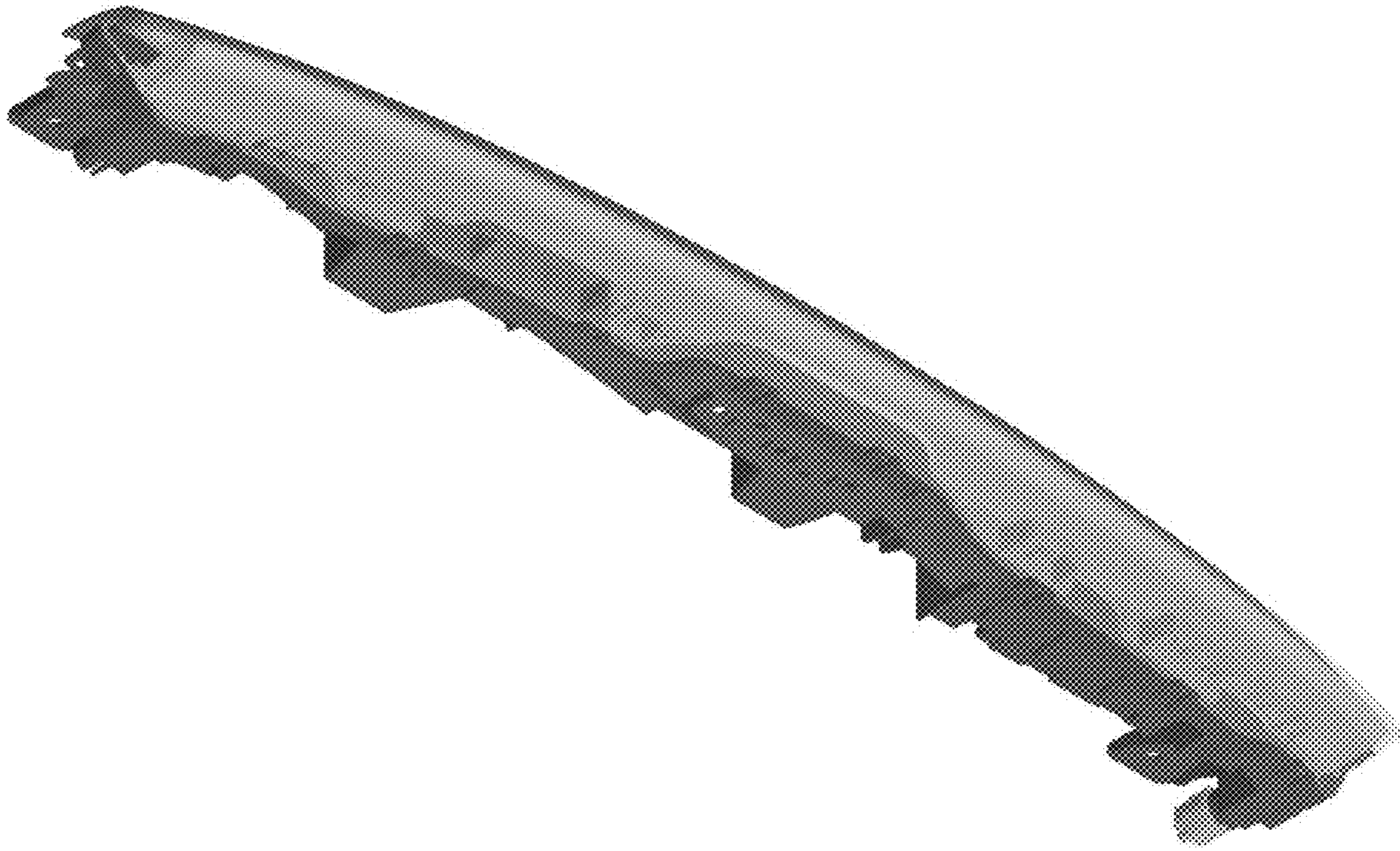
1.6



1.7



1.8



1.9

