



US00D859700S

(12) **United States Design Patent** (10) **Patent No.:** **US D859,700 S**
Li (45) **Date of Patent:** **** Sep. 10, 2019**

(54) **LED BULB**

(71) Applicant: **ZHEJIANG LEDISON OPTOELECTRONICS CO., LTD.**, Hangzhou (CN)

(72) Inventor: **Hongqiang Li**, Hangzhou (CN)

(73) Assignee: **ZHEJIANG LEDISON OPTOELECTRONICS CO., LTD.**, Hangzhou (CN)

(**) Term: **15 Years**

(21) Appl. No.: **29/646,741**

(22) Filed: **May 7, 2018**

(30) **Foreign Application Priority Data**

Nov. 6, 2017 (CN) 2017 3 0540492

(51) **LOC (12) Cl.** **26-04**

(52) **U.S. Cl.**
USPC **D26/4**

(58) **Field of Classification Search**
USPC D26/1-4

(Continued)

(56) **References Cited**

U.S. PATENT DOCUMENTS

D355,038 S * 1/1995 Ortiz D26/2

D394,512 S * 5/1998 Vakil D26/2

(Continued)

Primary Examiner — Marcus A Jackson

(74) *Attorney, Agent, or Firm* — Hamre, Schumann, Mueller & Larson, P.C.

(57) **CLAIM**

The ornamental design for a LED bulb, as shown and described.

DESCRIPTION

FIG. 1 is a perspective view of a first embodiment of an LED bulb;

FIG. 2 is a front view of the LED bulb depicted in FIG. 1; FIG. 3 is a rear view of the LED bulb depicted in FIG. 1; FIG. 4 is a left side view of the LED bulb depicted in FIG. 1; FIG. 5 is a right side view of the LED bulb depicted in FIG. 1; FIG. 6 is a top view of the LED bulb depicted in FIG. 1; and FIG. 7 is a bottom view of the LED bulb depicted in FIG. 1; FIG. 8 is a photograph showing a perspective view of the LED bulb depicted in FIG. 1; FIG. 9 is a photograph showing a front view of the LED bulb depicted in FIG. 1; FIG. 10 is a photograph showing a rear view of the LED bulb depicted in FIG. 1; FIG. 11 is a photograph showing a left side view of the LED bulb depicted in FIG. 1; FIG. 12 is a photograph showing a right side view of the LED bulb depicted in FIG. 1; FIG. 13 is a photograph showing a top view of the LED bulb depicted in FIG. 1; and FIG. 14 is a photograph showing a bottom view of the LED bulb depicted in FIG. 1. FIG. 15 is a perspective view of a second embodiment of an LED bulb; FIG. 16 is a front view of the LED bulb depicted in FIG. 2; FIG. 17 is a left side view of the LED bulb depicted in FIG. 2; FIG. 18 is a top view of the LED bulb depicted in FIG. 2; and FIG. 19 is a bottom view of the LED bulb depicted in FIG. 2; FIG. 20 is a photograph showing a perspective view of the LED bulb depicted in FIG. 2; FIG. 21 is a photograph showing a front view of the LED bulb depicted in FIG. 2; FIG. 22 is a photograph showing a rear view of the LED bulb depicted in FIG. 2; FIG. 23 is a photograph showing a left side view of the LED bulb depicted in FIG. 2; FIG. 24 is a photograph showing a right side view of the LED bulb depicted in FIG. 2; FIG. 25 is a photograph showing a top view of the LED bulb depicted in FIG. 2; and,

(Continued)

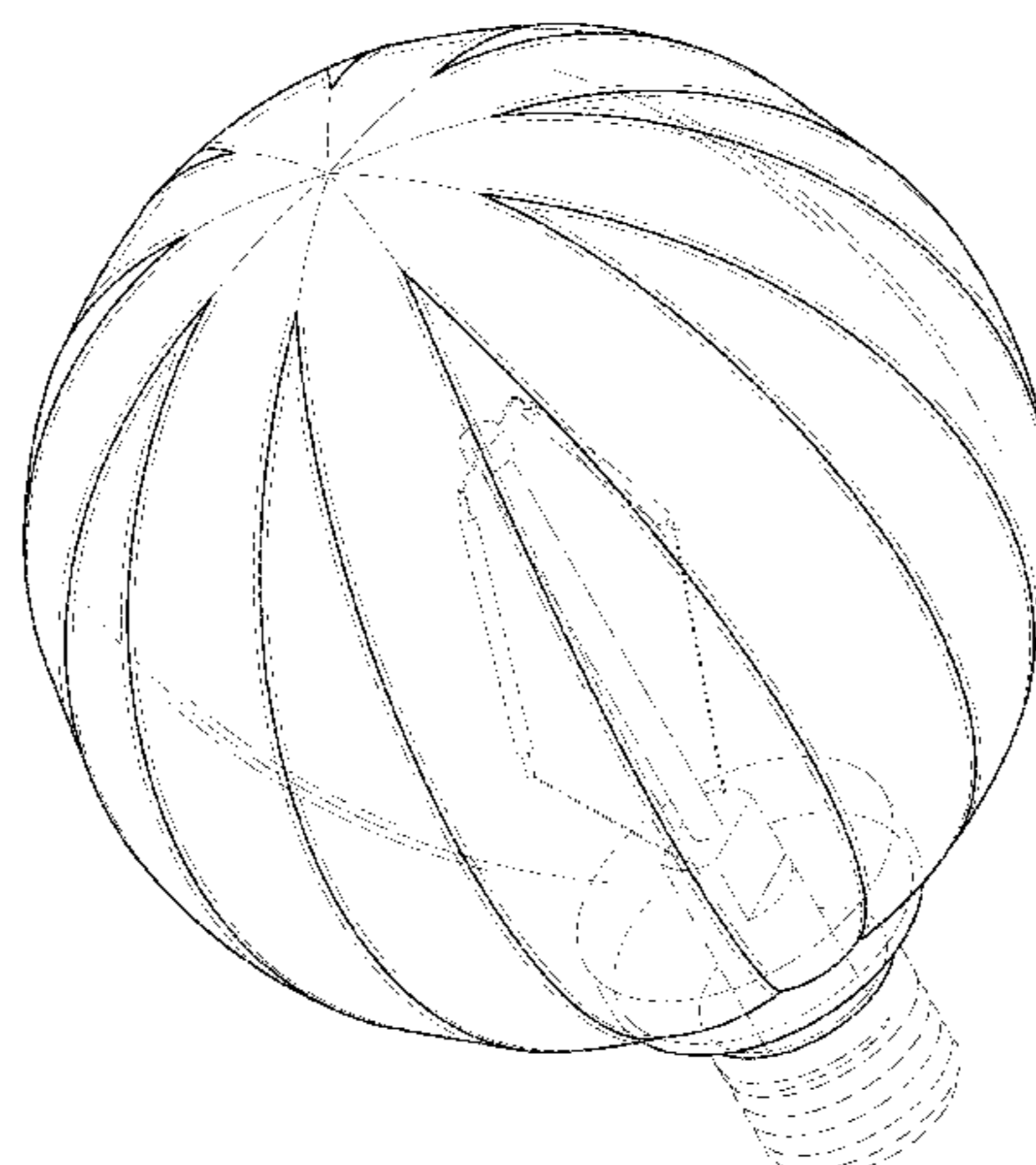


FIG. 26 is a photograph showing a bottom view of the LED bulb depicted in FIG. 2.

The broken lines showing in the figures are for illustrative purposes only and form no part of the claimed design.

1 Claim, 26 Drawing Sheets

(58) **Field of Classification Search**

CPC H01R 5/00; H01R 13/46; H01R 13/514;
H01R 31/048; H01R 31/02; H01J 5/00;
H01J 5/16; H01J 15/00; H01J 5/48; H01J
19/54; F21V 5/00; F21K 9/00; F21K
13/00

See application file for complete search history.

(56) **References Cited**

U.S. PATENT DOCUMENTS

D422,099	S	*	3/2000	Kracke	D26/2
D443,703	S	*	6/2001	Sood	D26/2
D471,652	S	*	3/2003	Kling	D26/2

* cited by examiner

Fig. 1

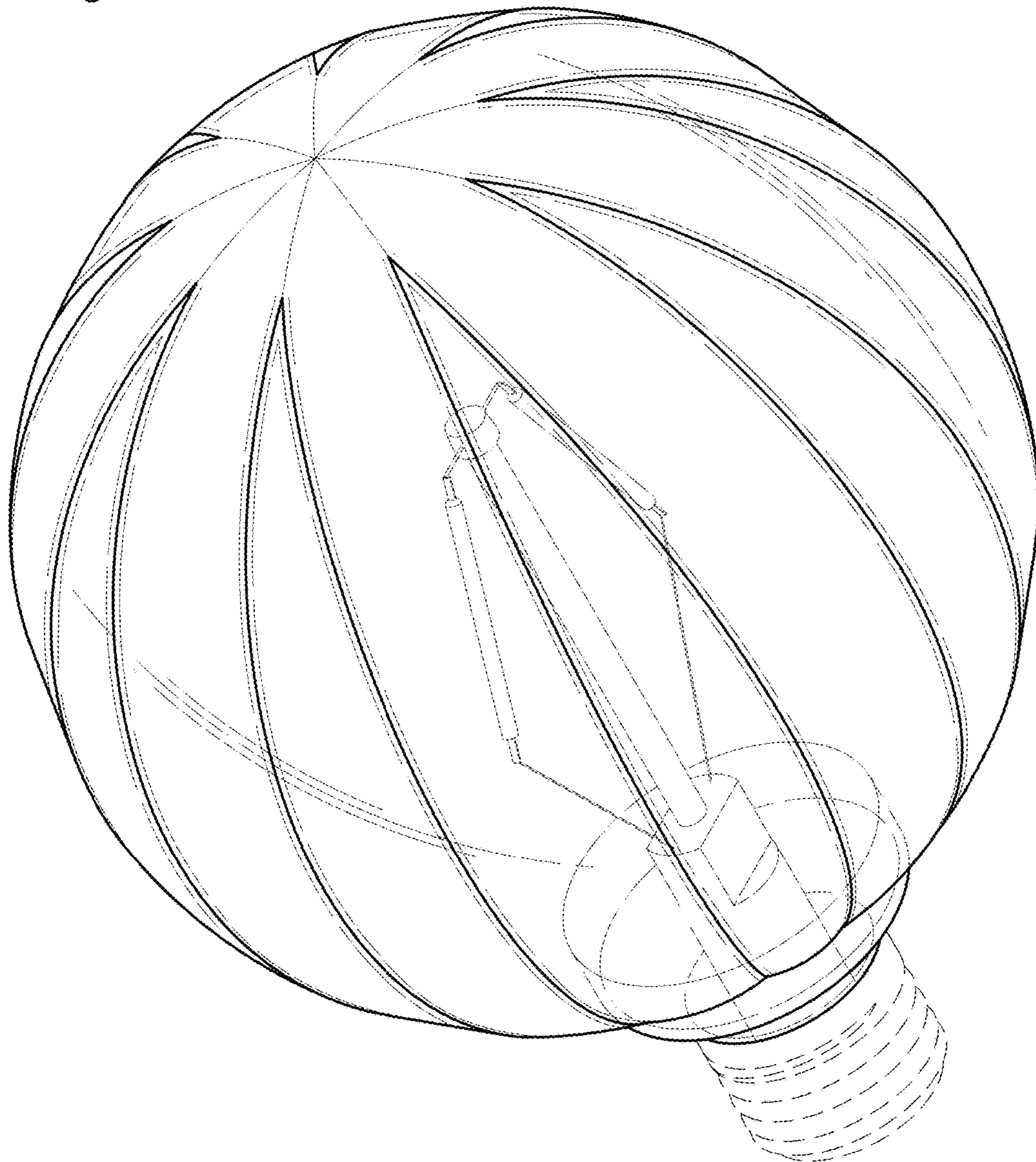


Fig. 2

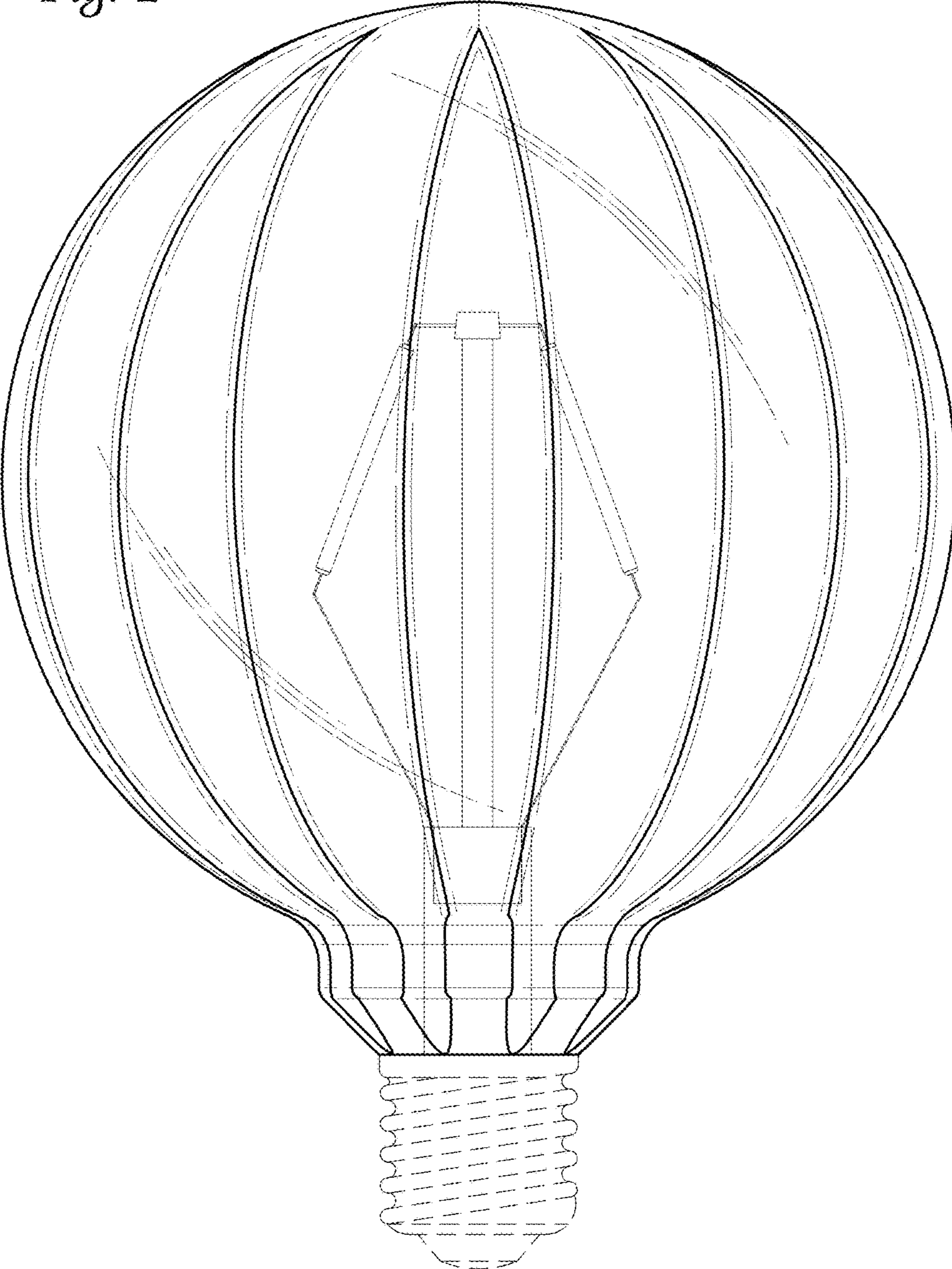


Fig. 3

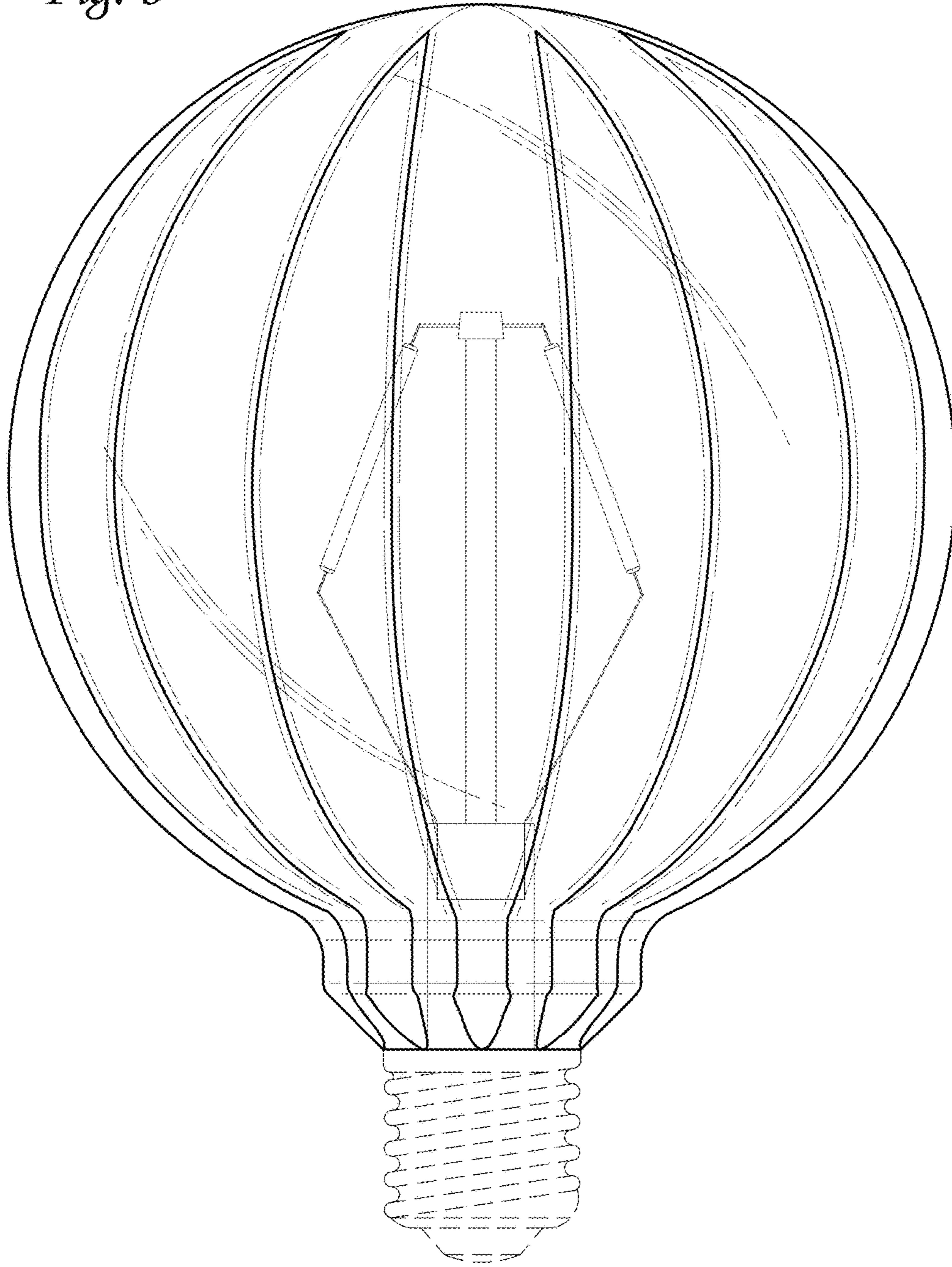


Fig. 4

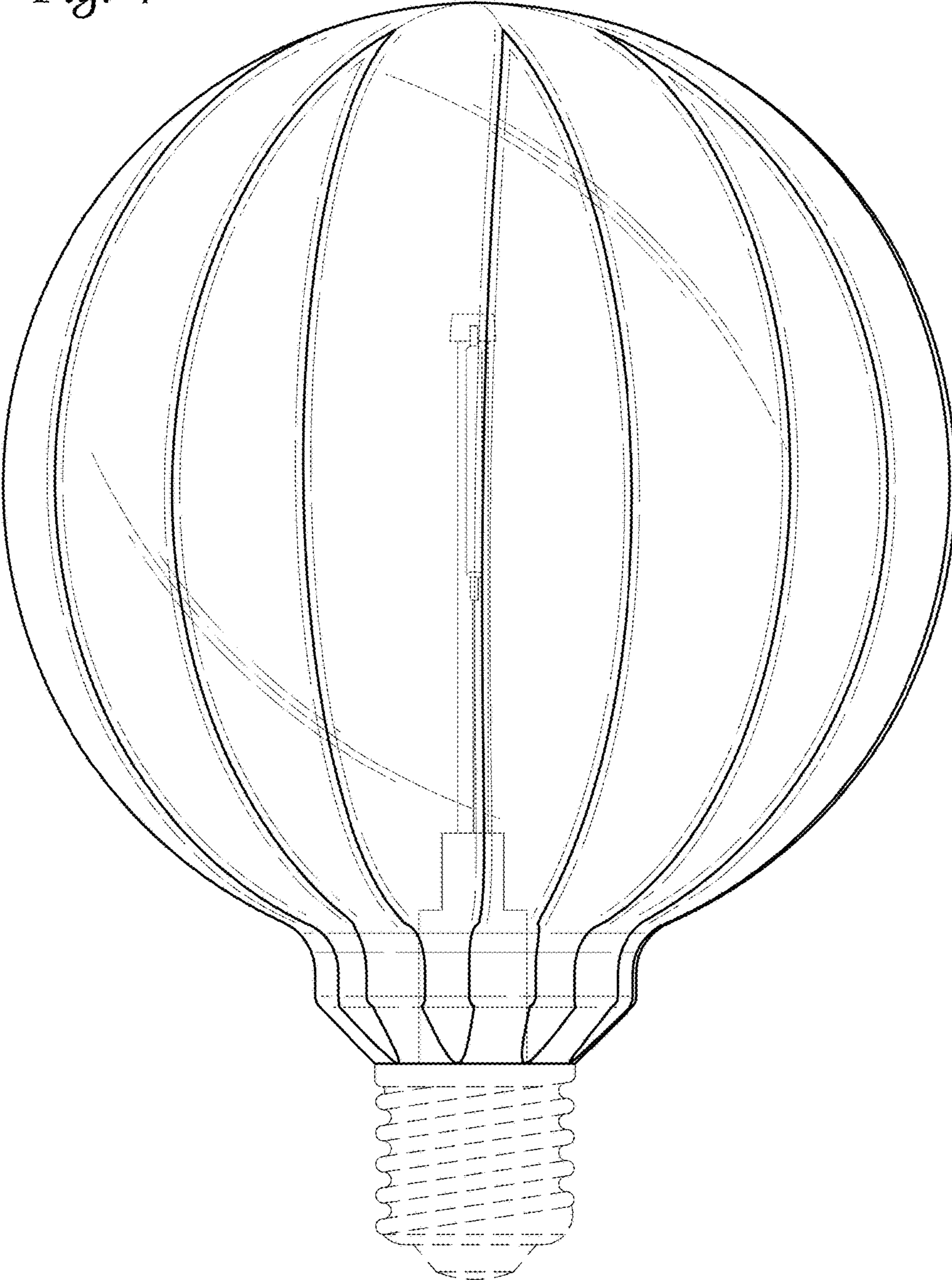


Fig. 5

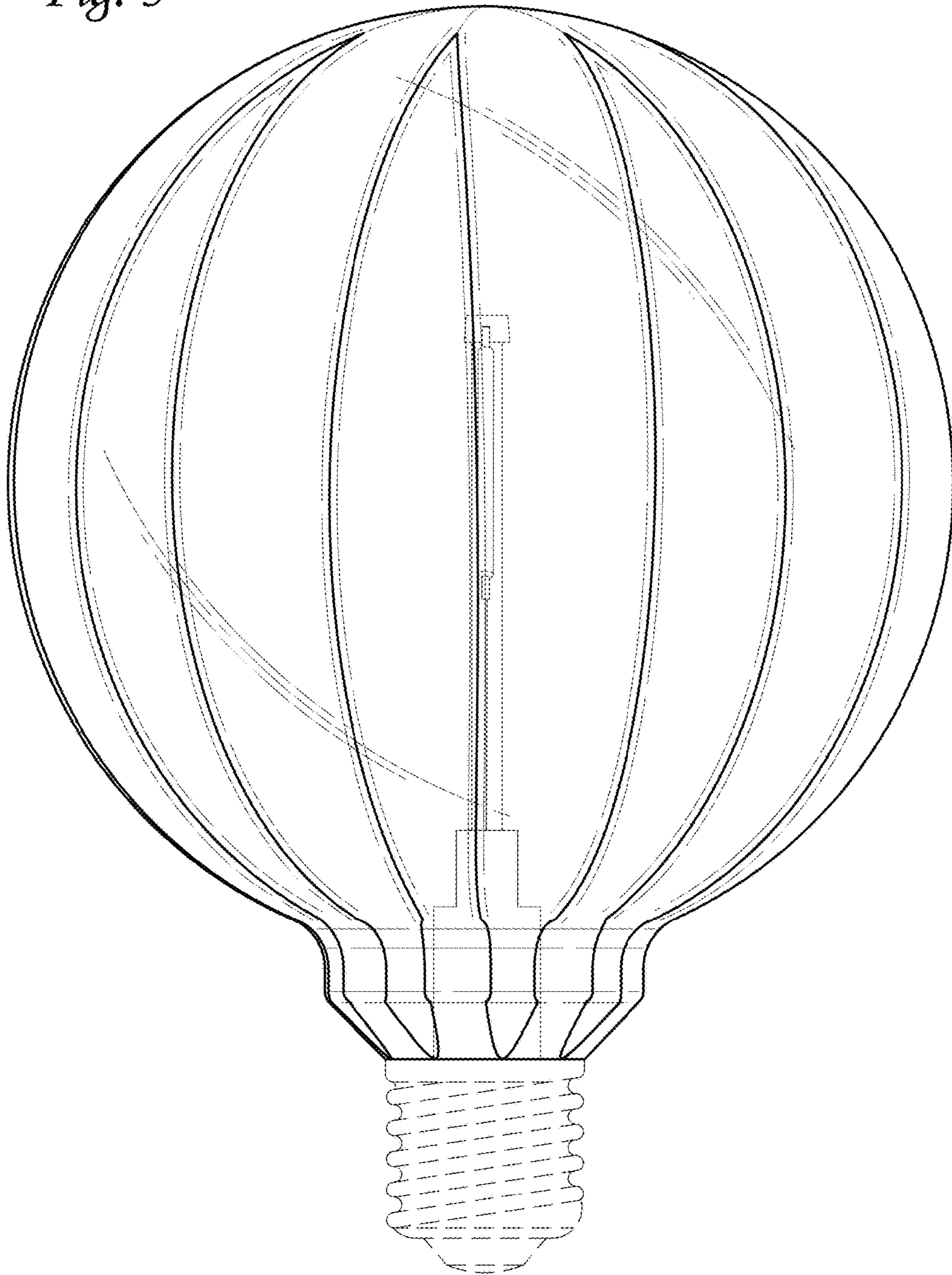


Fig. 6

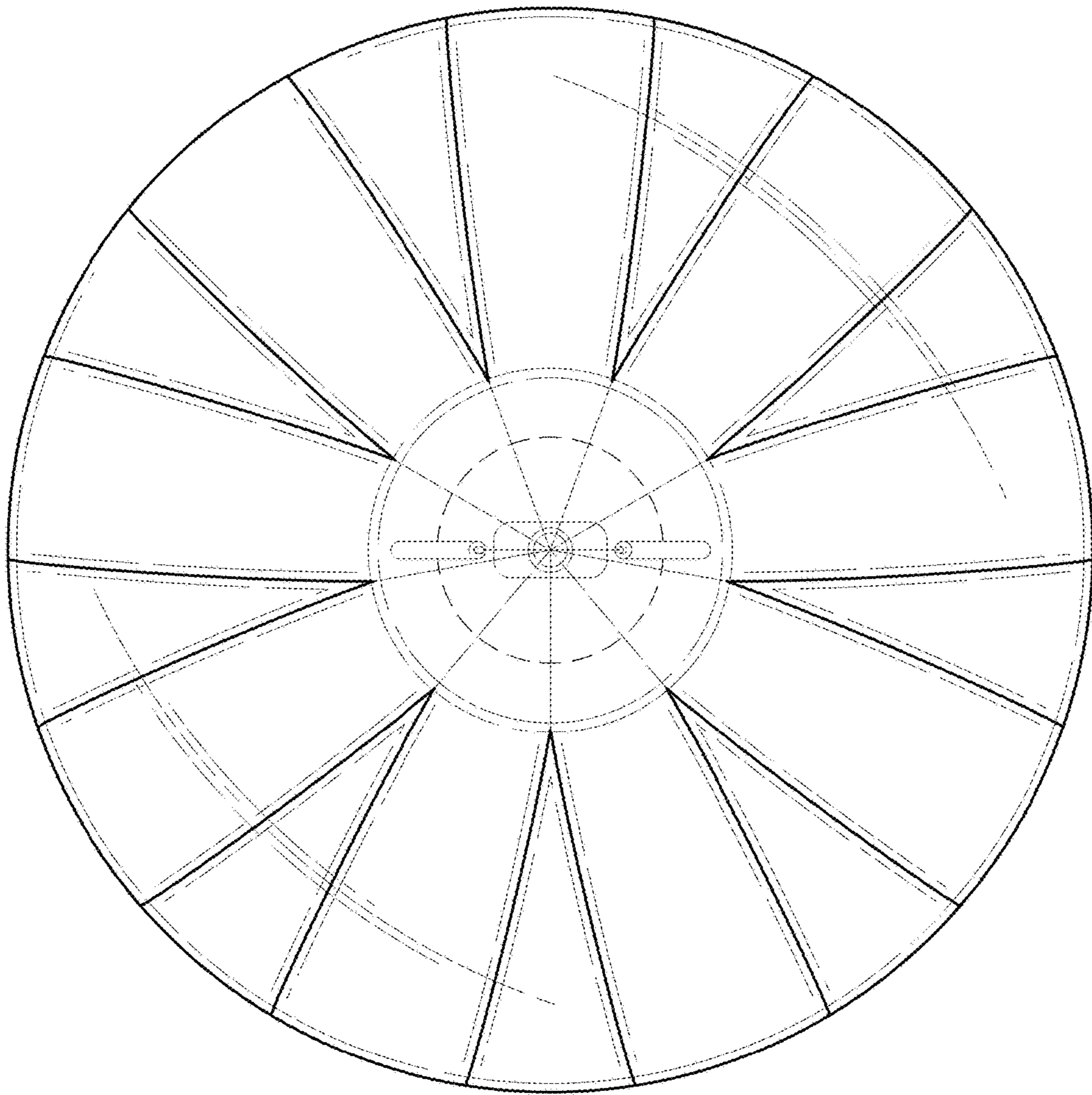


Fig. 7

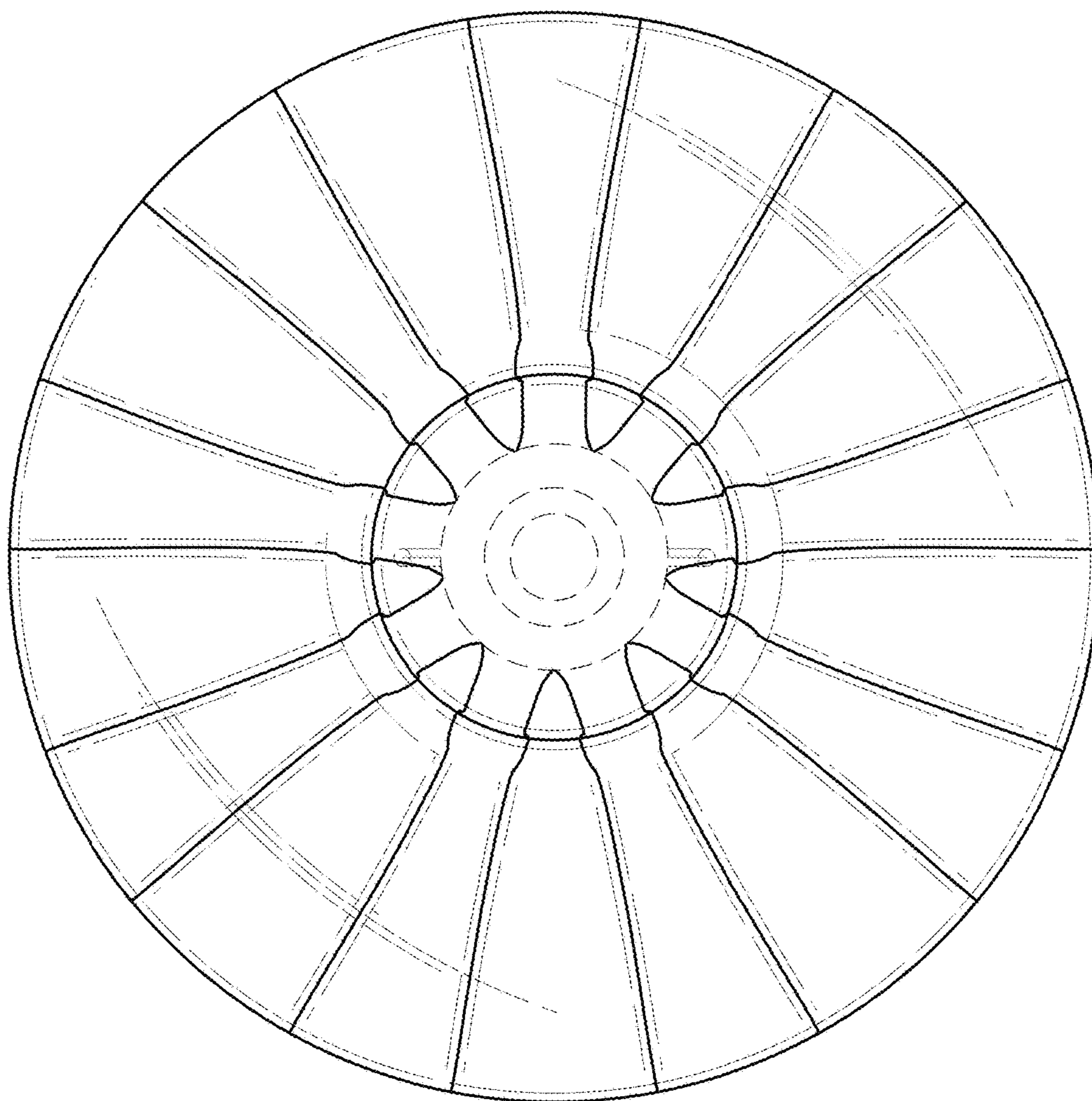


Fig. 8



Fig. 9



Fig. 10



Fig. 11



Fig. 12



Fig. 13



Fig. 14



Fig. 15

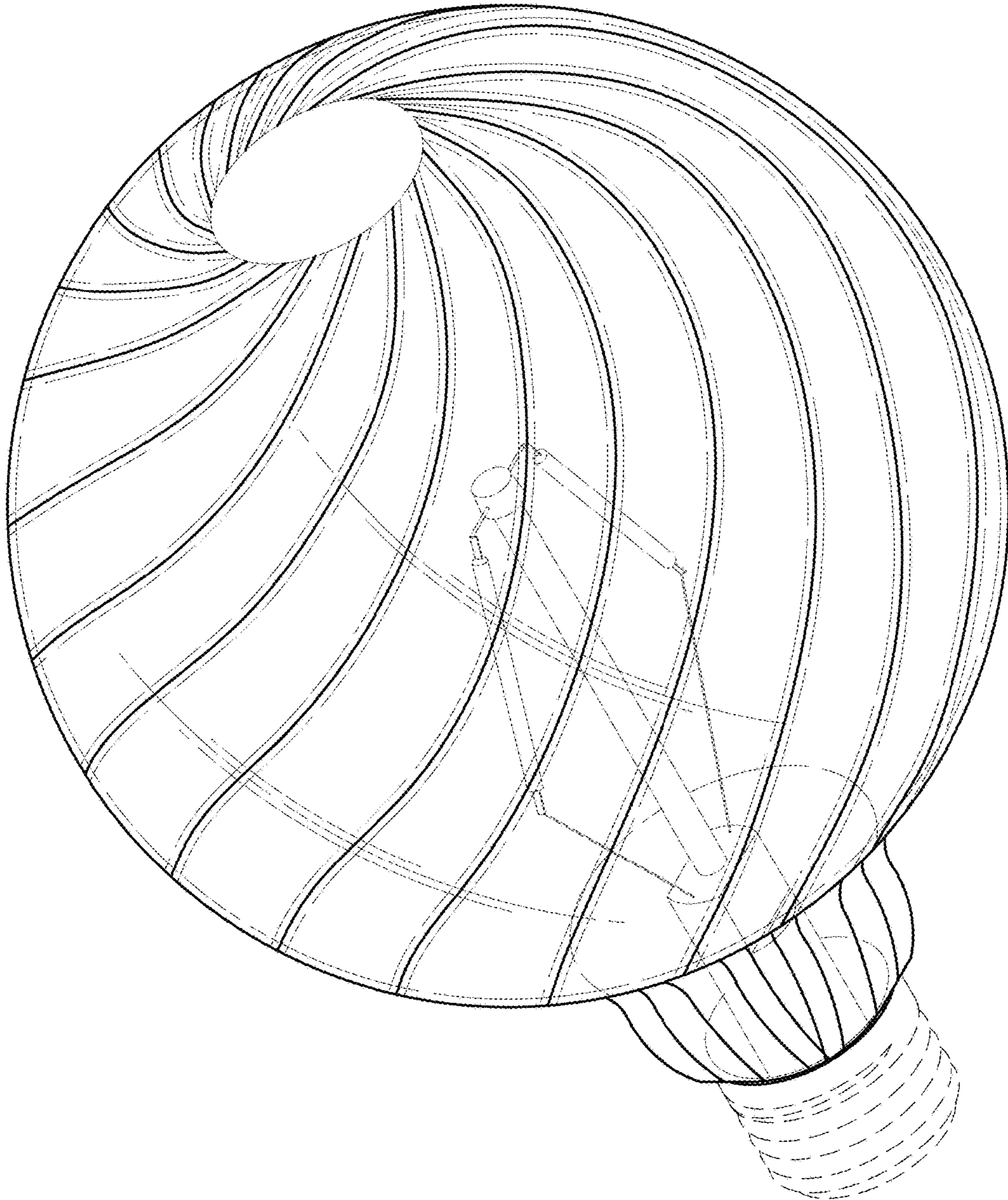


Fig. 16

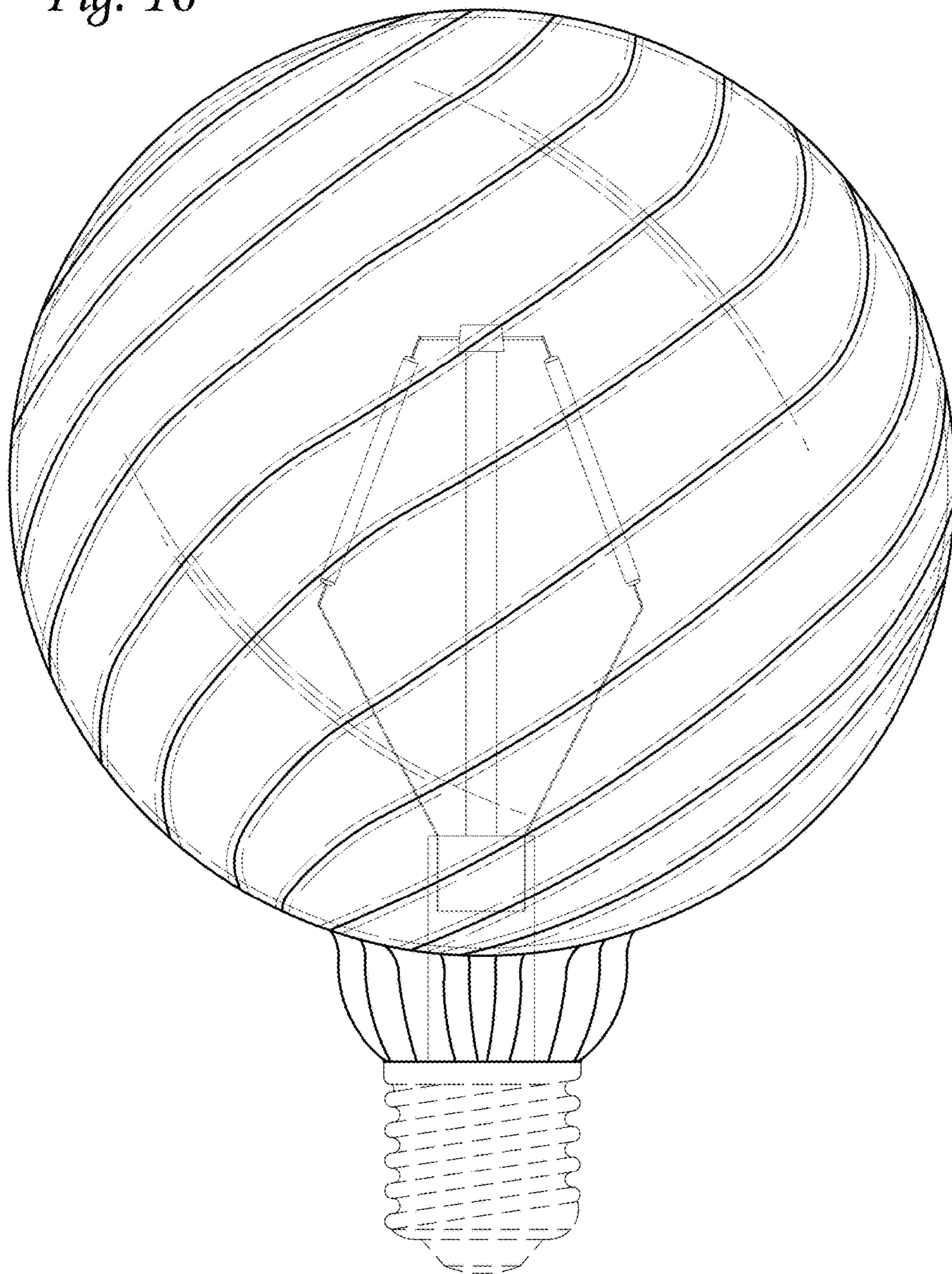


Fig. 17

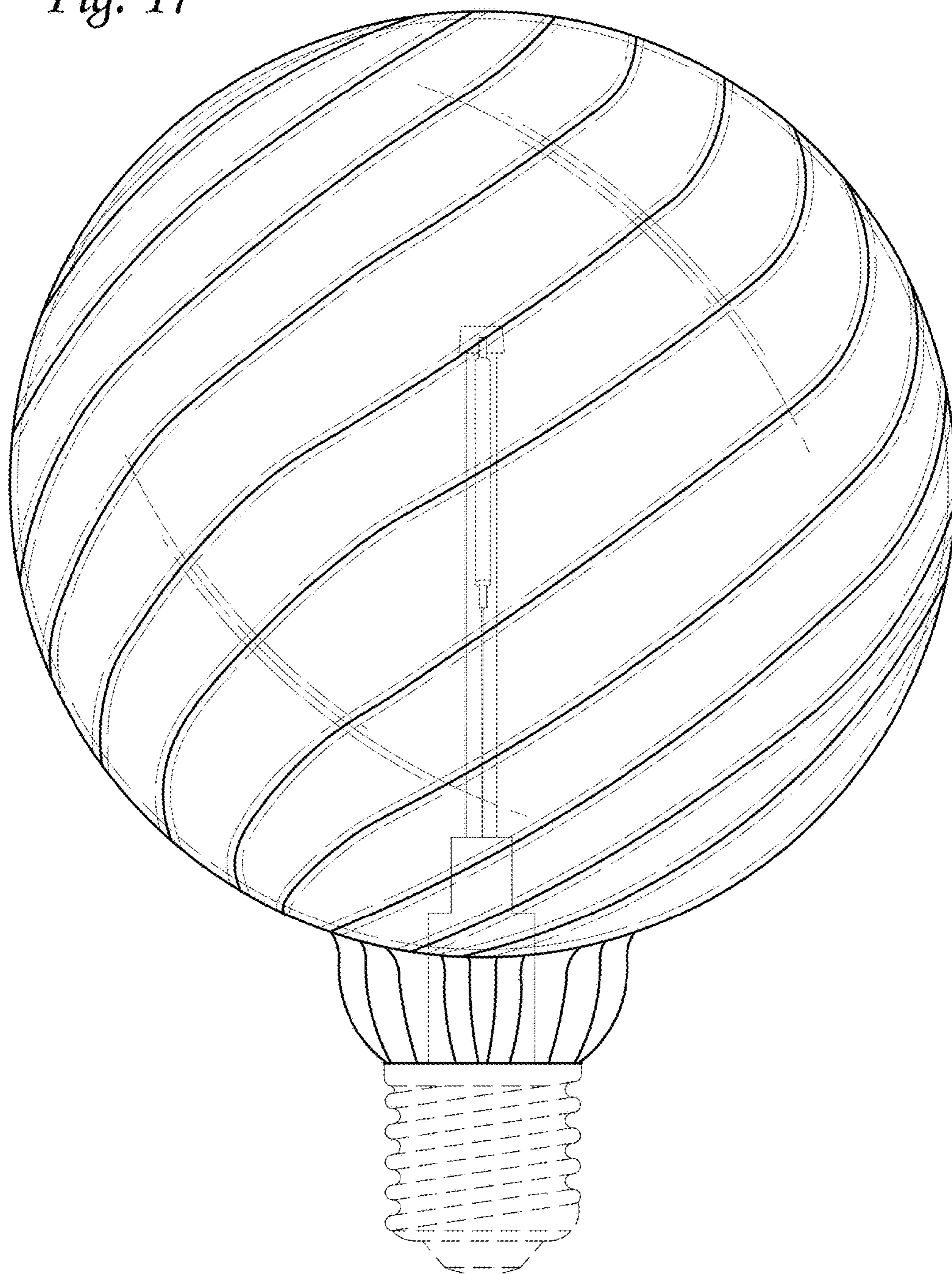


Fig. 18

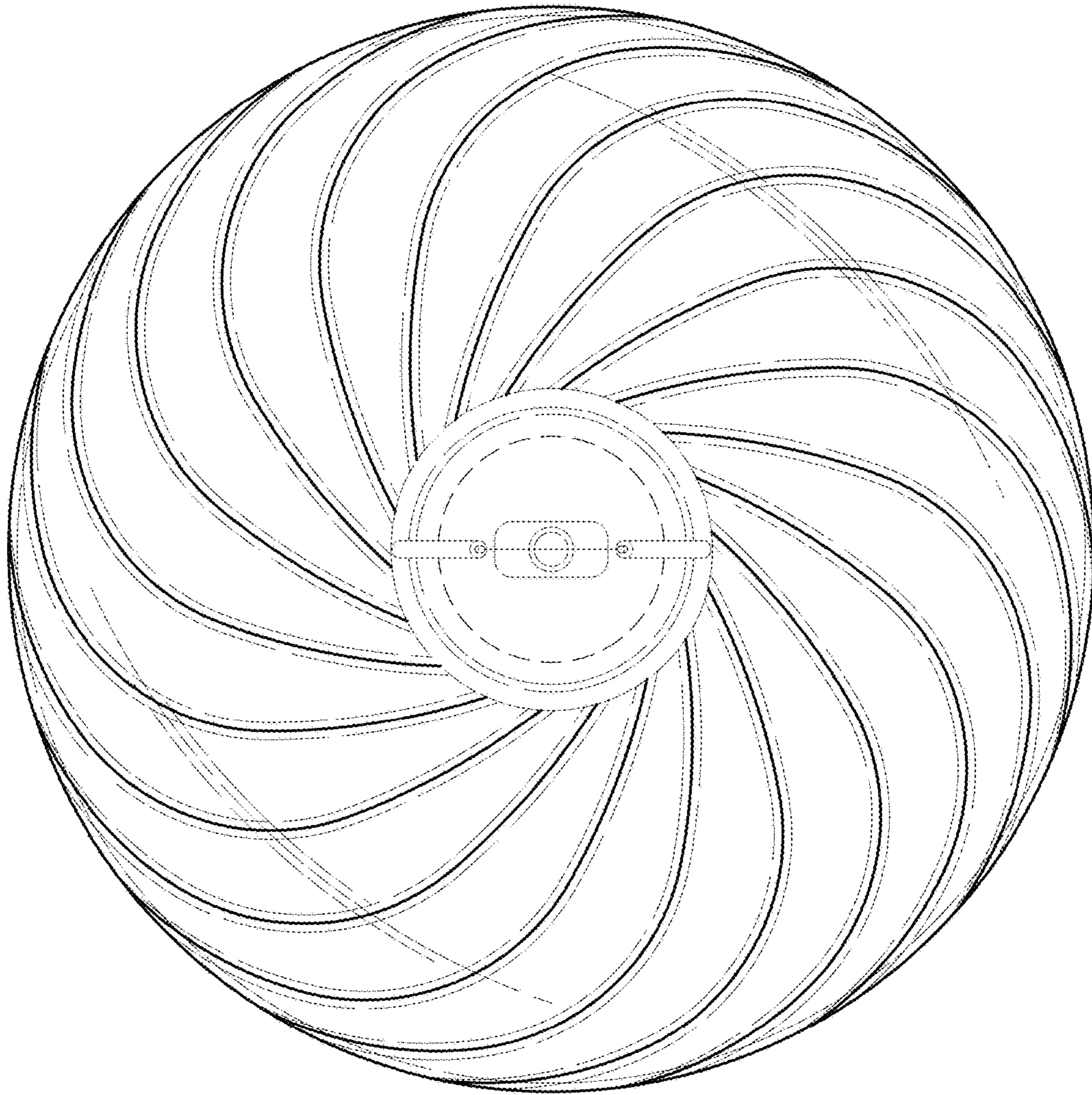


Fig. 19

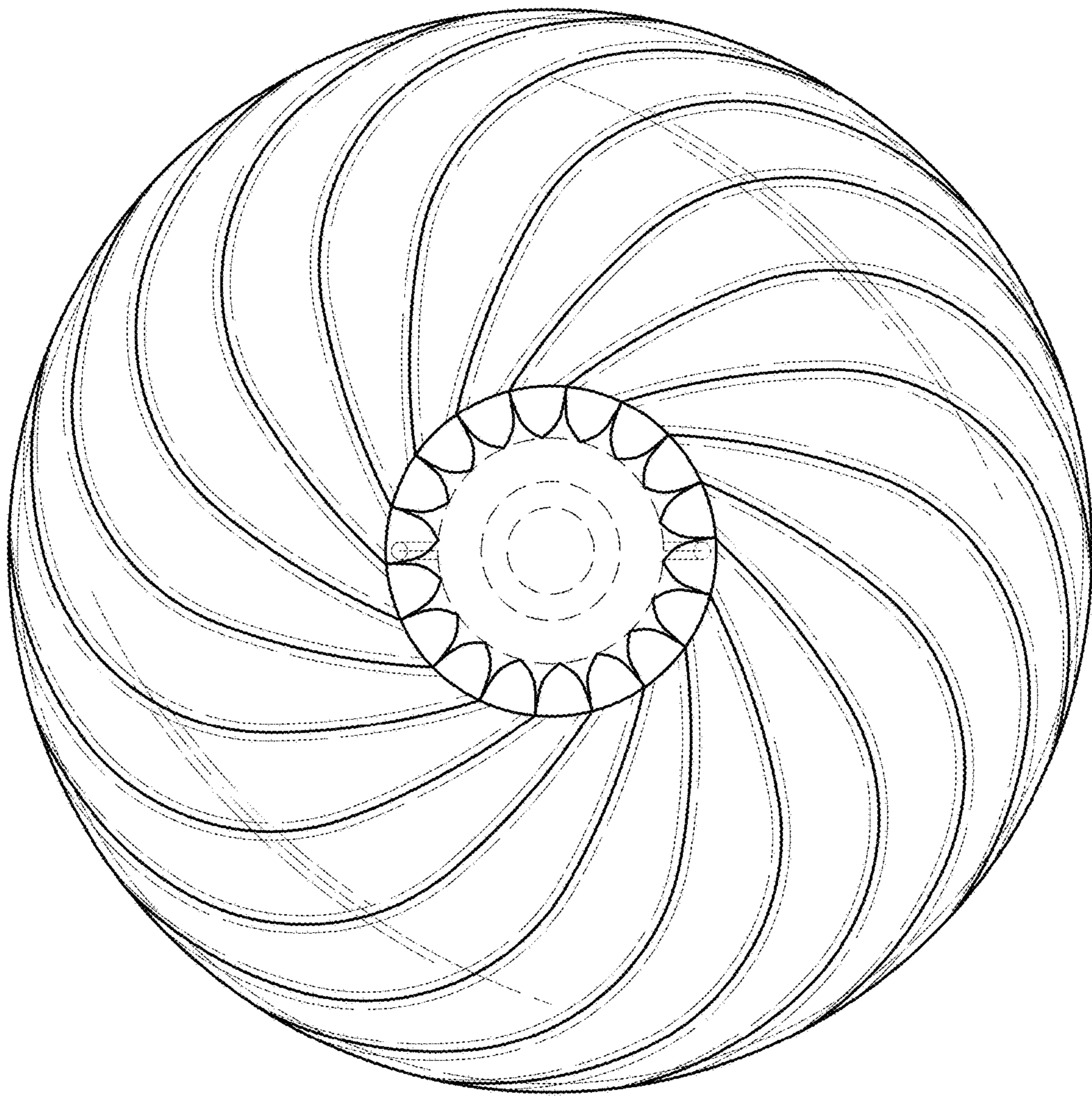


Fig. 20



Fig. 21



Fig. 22



Fig. 23



Fig. 24



Fig. 25

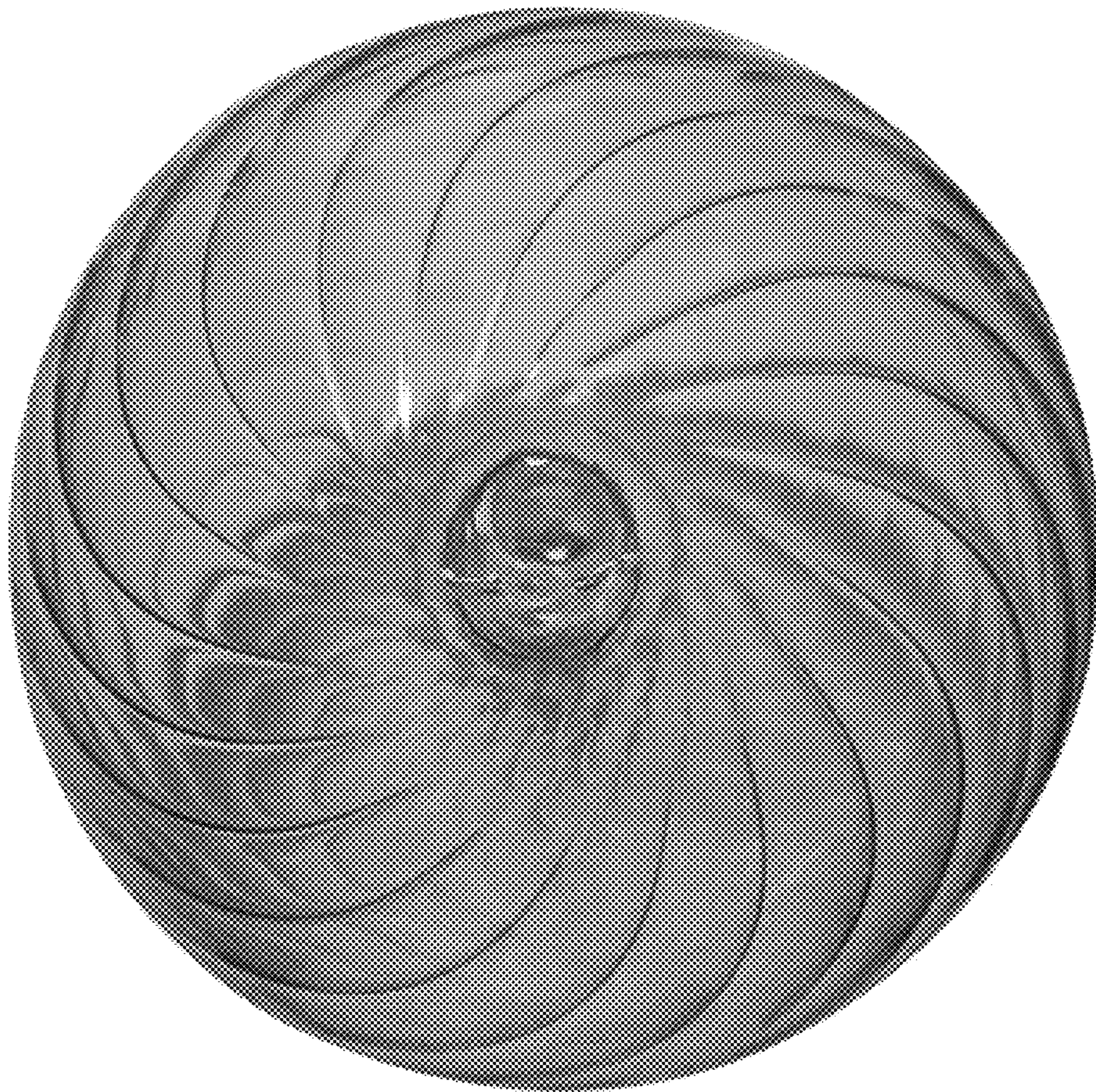


Fig. 26

