



US00D859698S

(12) **United States Design Patent** (10) **Patent No.:** **US D859,698 S**
Yeung (45) **Date of Patent:** **** Sep. 10, 2019**

(54) **LIGHT BULB**

(56) **References Cited**

(71) Applicant: **SIM International Company Limited,**
Hong Kong (HK)

U.S. PATENT DOCUMENTS

(72) Inventor: **Chi Keung Yeung,** Hong Kong (HK)

D340,295 S *	10/1993	Beauchamp	D10/116.1
D422,099 S *	3/2000	Kracke	D26/2
D443,703 S *	6/2001	Sood	D26/2
D549,360 S *	8/2007	An	D26/2
D550,864 S *	9/2007	Hernandez, Jr.	D26/2
D664,682 S *	7/2012	Matsuda	D26/2

(73) Assignee: **SIM International Company Limited,**
Hong Kong (HK)

* cited by examiner

(**) Term: **15 Years**

Primary Examiner — Marcus A Jackson

(21) Appl. No.: **29/656,357**

(57) **CLAIM**

(22) Filed: **Jul. 12, 2018**

The ornamental design for a light bulb, as shown and described.

(30) **Foreign Application Priority Data**

DESCRIPTION

Jun. 19, 2018 (HK) 1801217.1M

(51) **LOC (12) Cl.** **26-04**

(52) **U.S. Cl.**
USPC **D26/2**

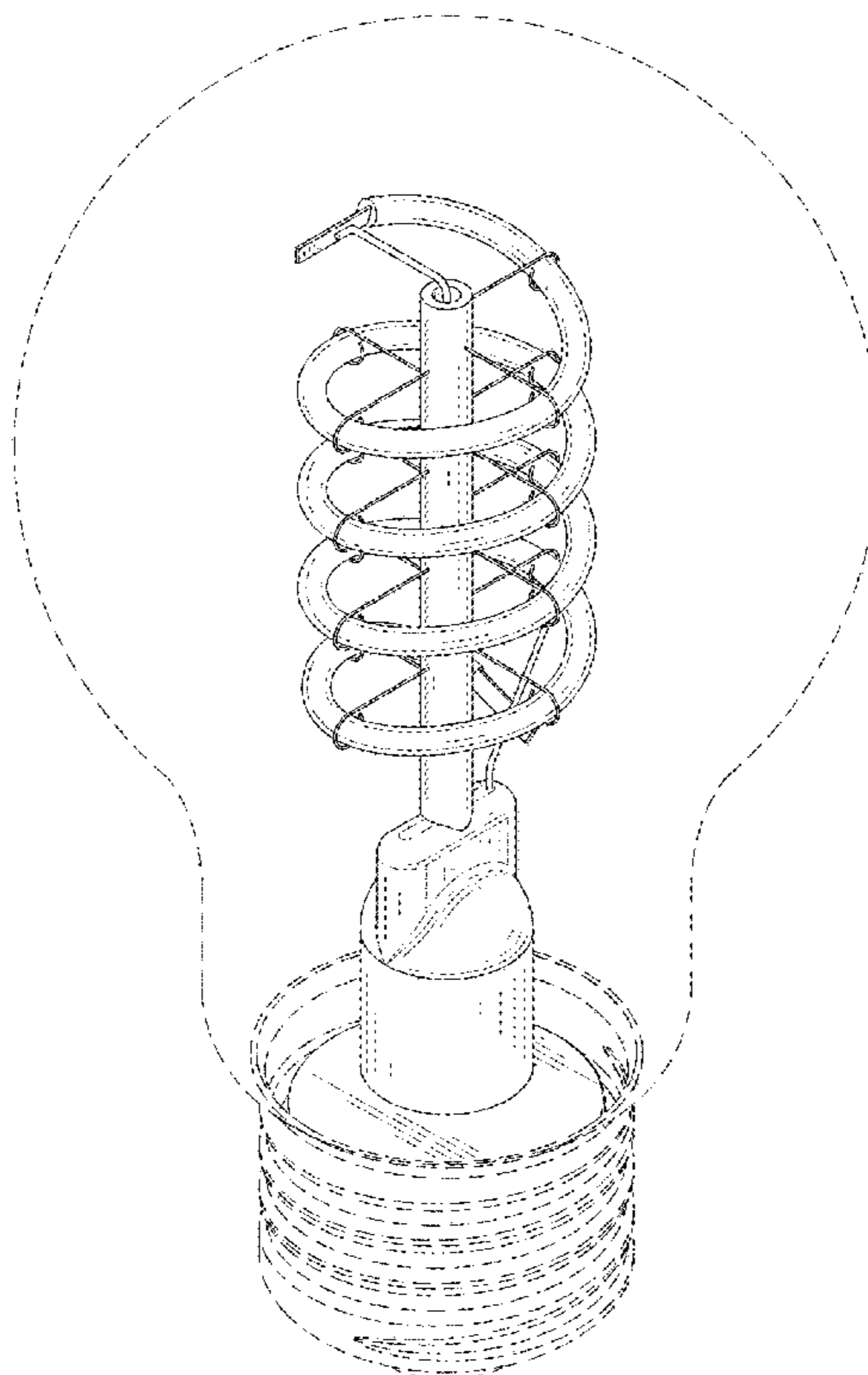
(58) **Field of Classification Search**
USPC D26/1-4
CPC H01R 5/00; H01R 13/46; H01R 13/514;
H01R 31/048; H01R 31/02; H01J 5/00;
H01J 5/16; H01J 1/02; H01J 15/00; H01J
5/48; H01J 5/50; H01J 19/54; F21V 5/00;
F21K 9/00; F21K 13/00

FIG. 1 is a top, front and left side perspective view of a light bulb showing my new design;
FIG. 2 is a bottom, rear and right side perspective view thereof;
FIG. 3 is a front elevational view thereof;
FIG. 4 is a rear elevational view thereof;
FIG. 5 is a left side view thereof;
FIG. 6 is a right side view thereof;
FIG. 7 is a top plan view thereof; and,
FIG. 8 is a bottom plan view thereof.

The broken lines in the drawings illustrate portions of the light bulb which form no part of the claimed design.

See application file for complete search history.

1 Claim, 8 Drawing Sheets



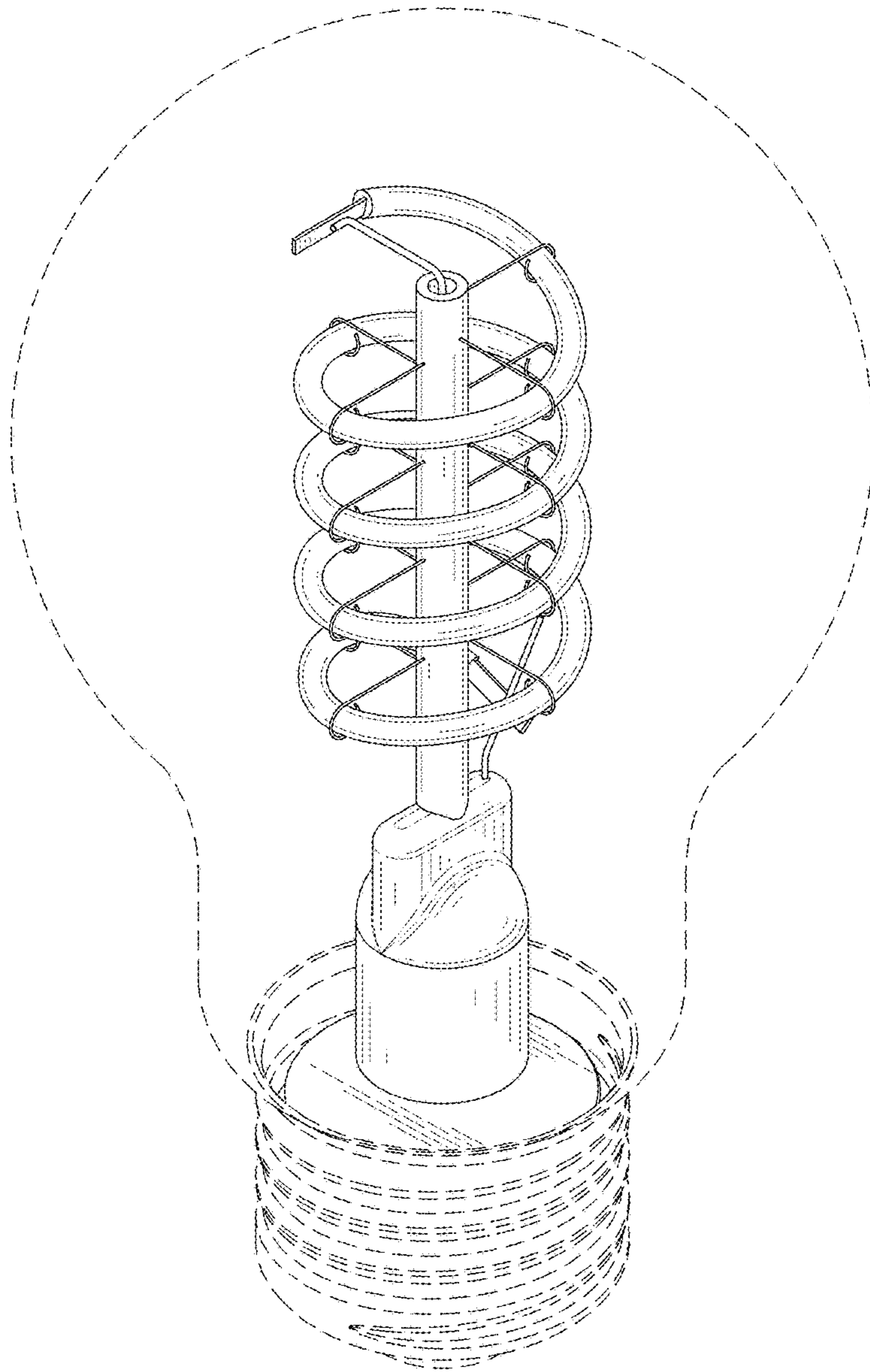


FIG. 1

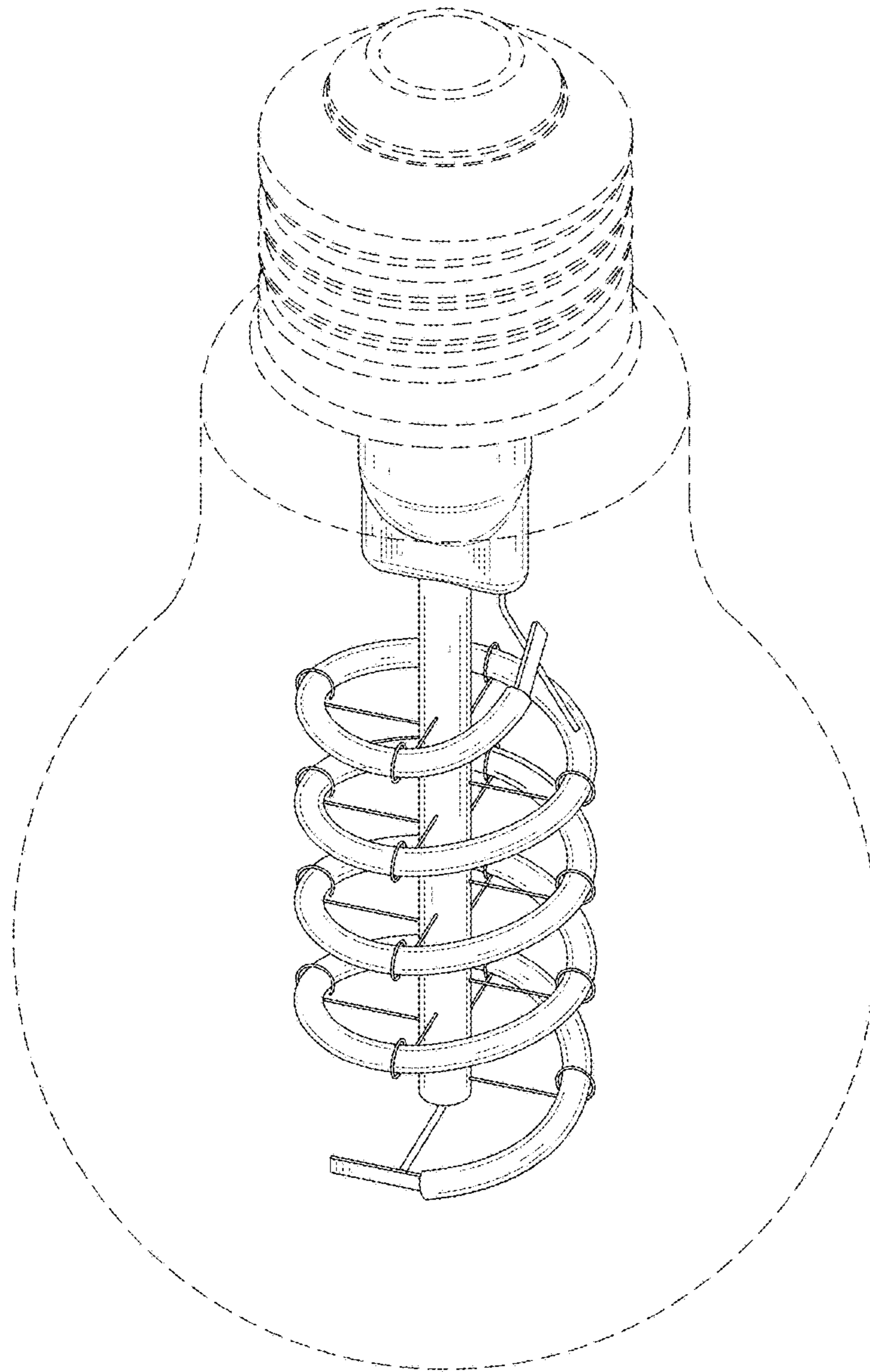


FIG. 2

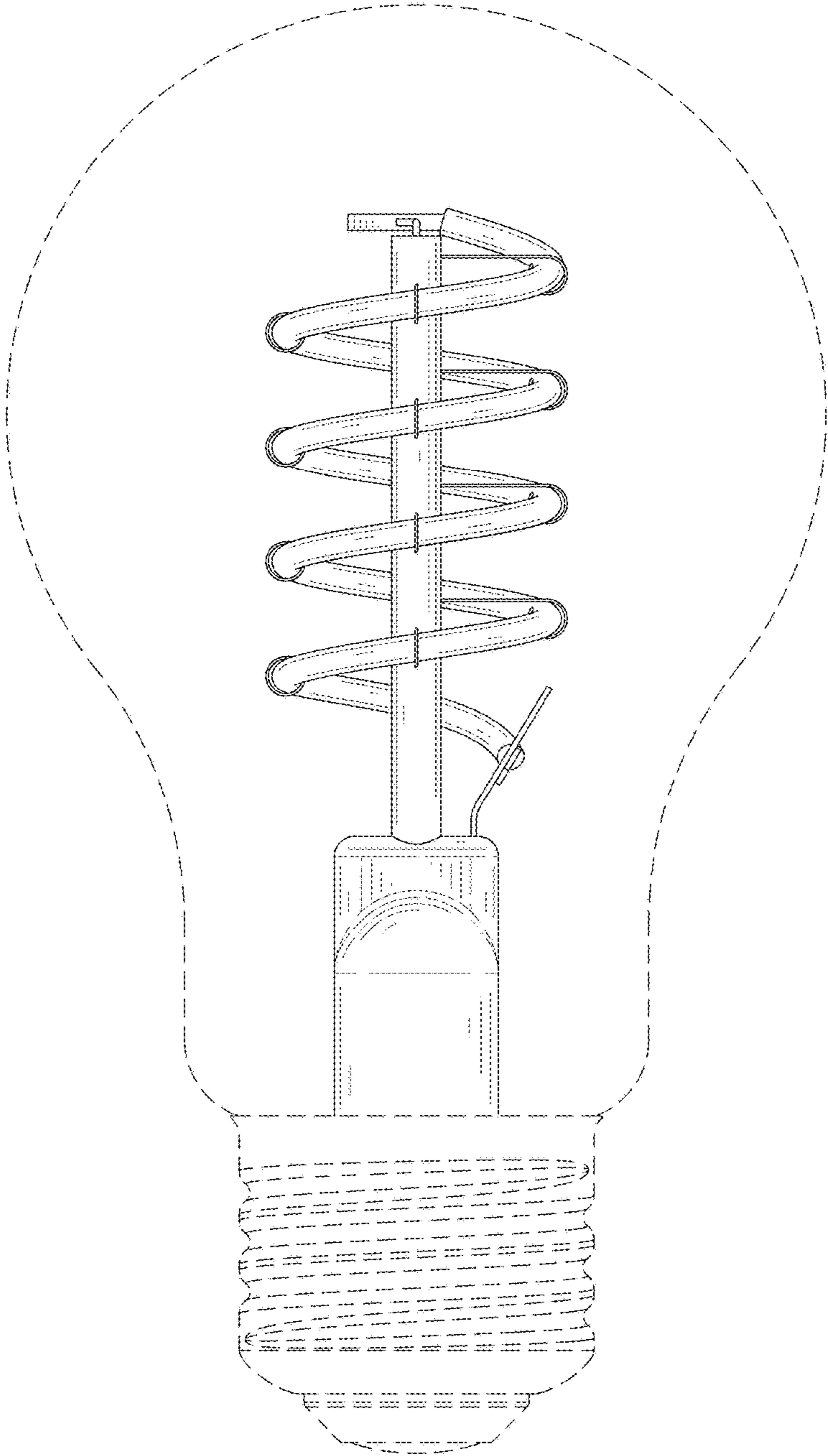


FIG. 3

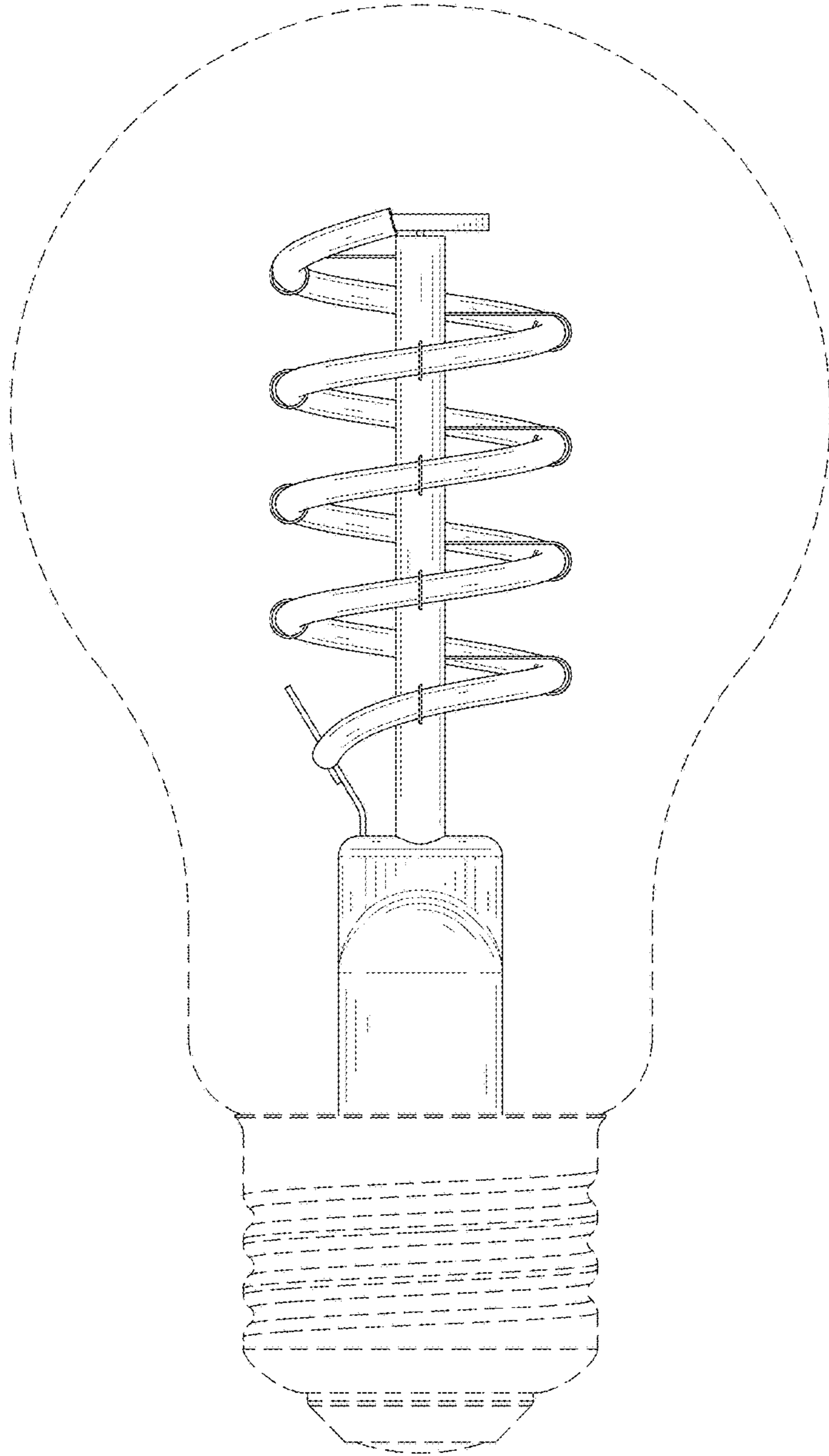


FIG. 4

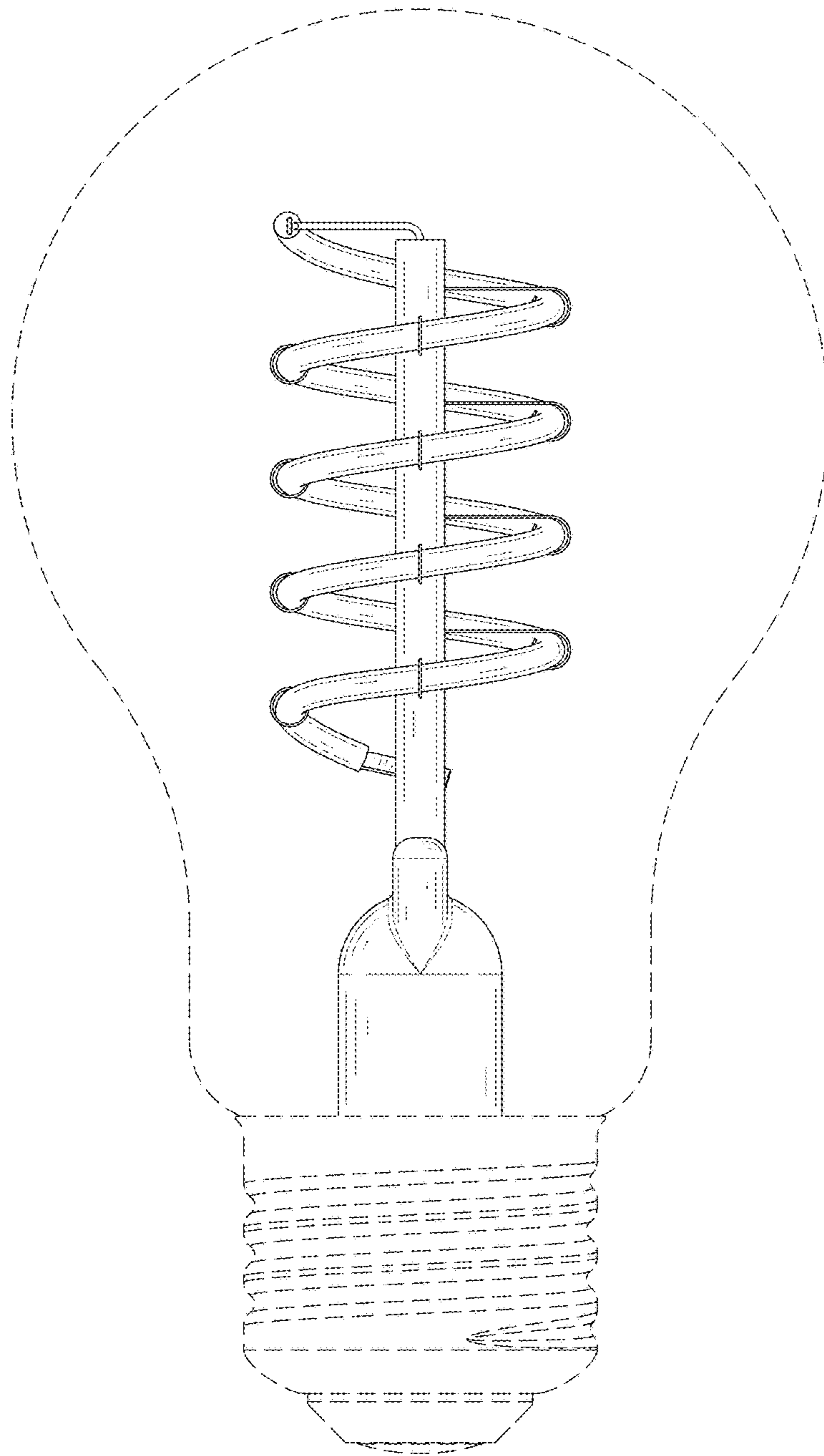


FIG. 5

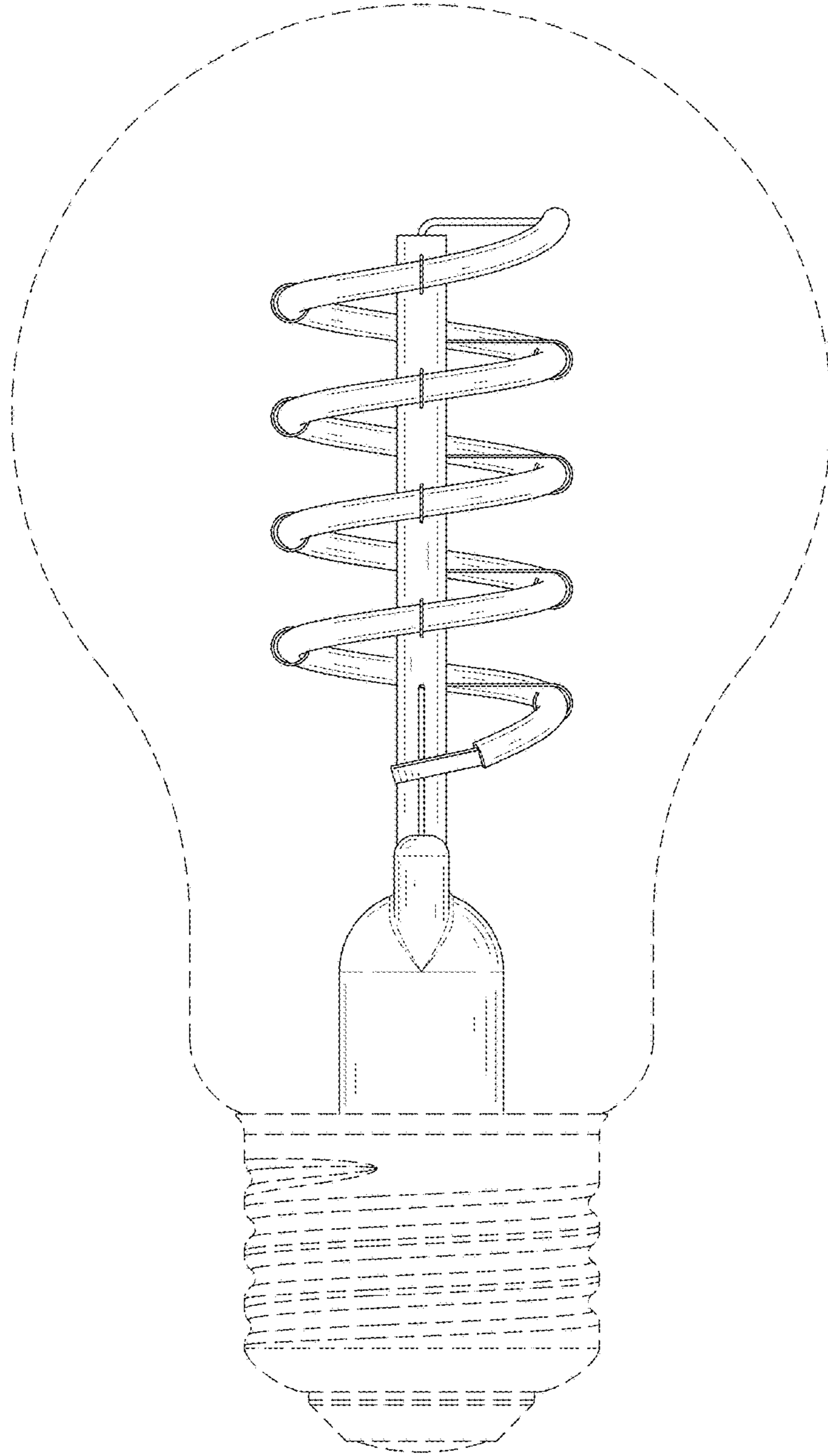


FIG. 6

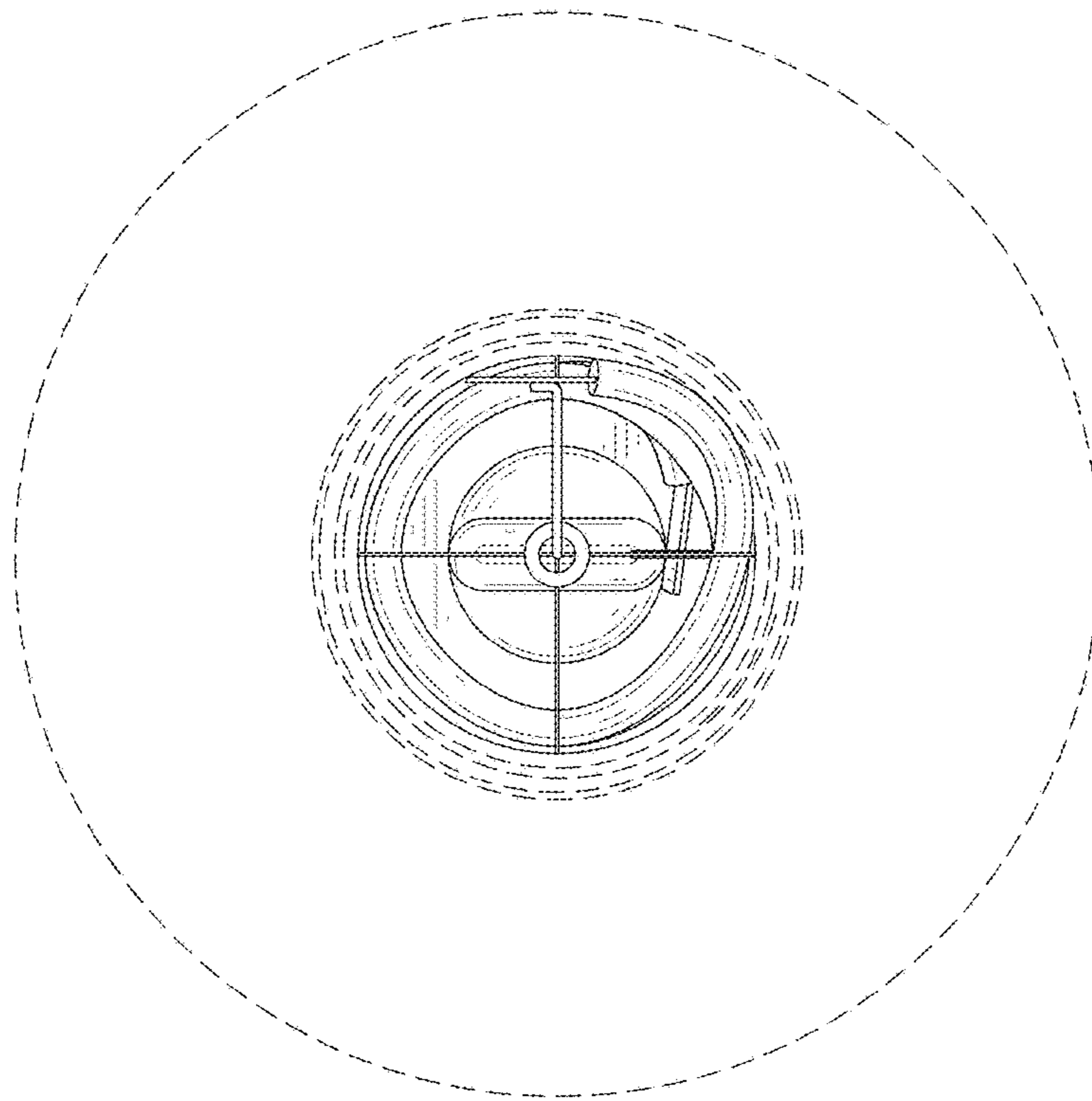


FIG. 7

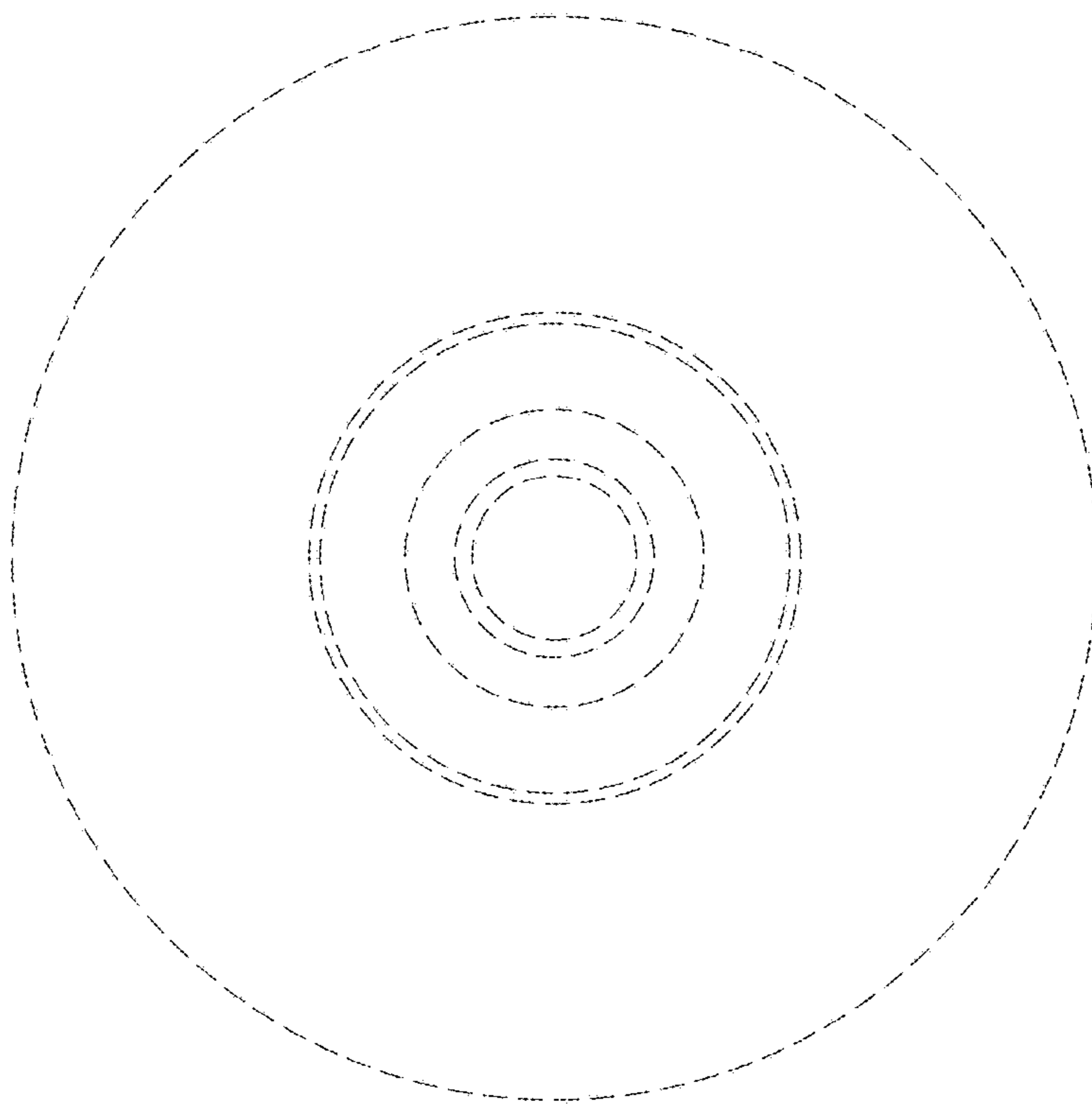


FIG. 8