



US00D859697S

(12) **United States Design Patent** (10) **Patent No.:** **US D859,697 S**
Yeung (45) **Date of Patent:** **** Sep. 10, 2019**

(54) **LIGHT BULB**

(56) **References Cited**

(71) Applicant: **SIM International Company Limited,**
Hong Kong (HK)

(72) Inventor: **Chi Keung Yeung,** Hong Kong (HK)

(73) Assignee: **SIM International Company Limited,**
Hong Kong (HK)

(**) Term: **15 Years**

(21) Appl. No.: **29/656,356**

(22) Filed: **Jul. 12, 2018**

(30) **Foreign Application Priority Data**

Jun. 19, 2018 (HK) 1801217.1M

(51) **LOC (12) Cl.** **26-04**

(52) **U.S. Cl.**
USPC **D26/2**

(58) **Field of Classification Search**
USPC D26/1-4
CPC H01R 5/00; H01R 13/46; H01R 13/514;
H01R 31/048; H01R 31/02; H01J 5/00;
H01J 5/16; H01J 1/02; H01J 15/00; H01J
5/48; H01J 5/50; H01J 19/54; F21V 5/00;
F21K 9/00; F21K 13/00

See application file for complete search history.

U.S. PATENT DOCUMENTS

| | | | | | | |
|----------|---|---|---------|----------------|-------|-------|
| D422,099 | S | * | 3/2000 | Kracke | | D26/2 |
| D443,703 | S | * | 6/2001 | Sood | | D26/2 |
| D549,360 | S | * | 8/2007 | An | | D26/2 |
| D550,864 | S | * | 9/2007 | Hernandez, Jr. | | D26/2 |
| D646,810 | S | * | 10/2011 | Takeuchi | | D26/2 |
| D655,024 | S | * | 2/2012 | deBetak | | D26/2 |

* cited by examiner

Primary Examiner — Marcus A Jackson

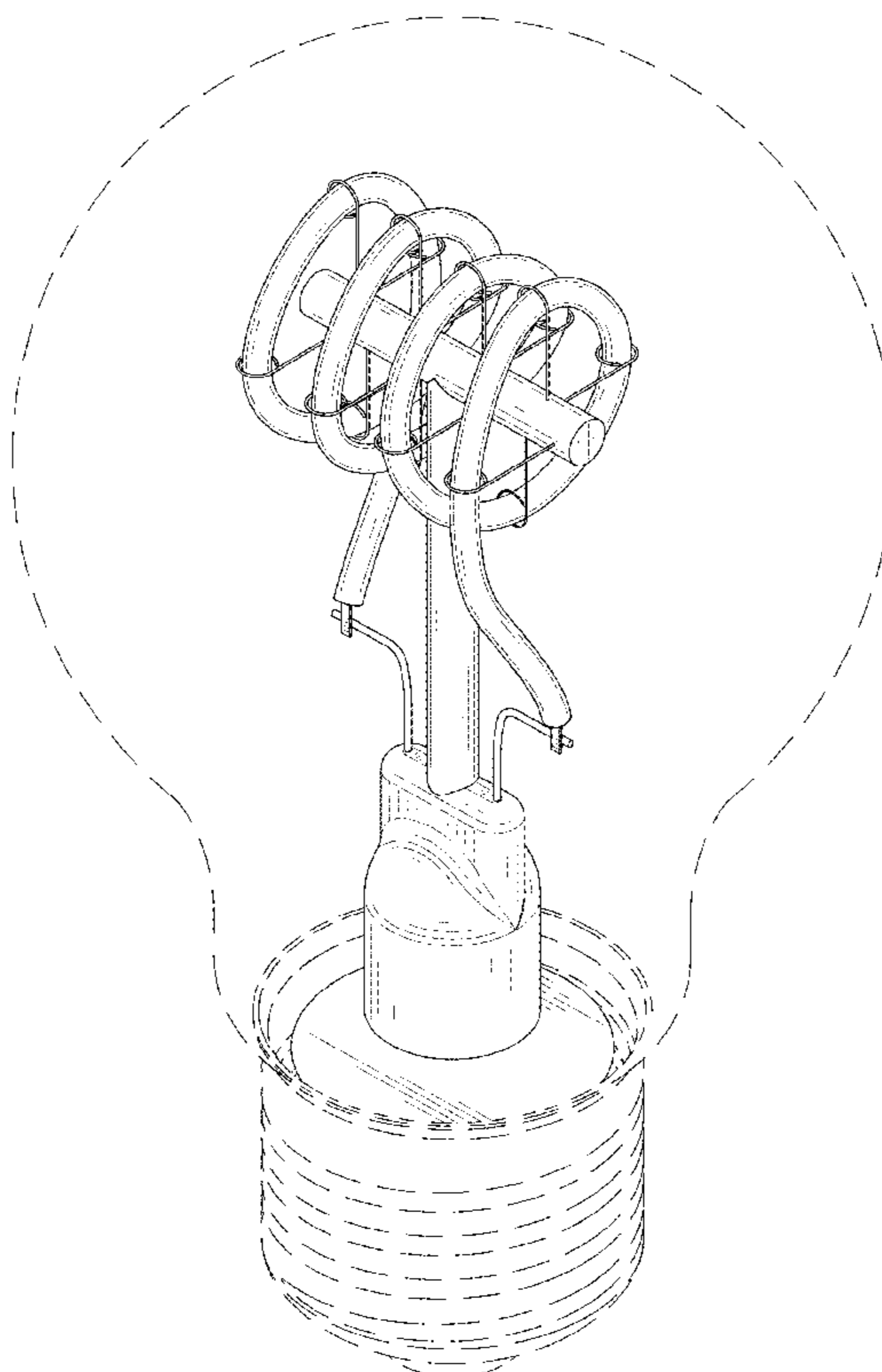
(57) **CLAIM**

The ornamental design for a light bulb, as shown and described.

DESCRIPTION

FIG. 1 is a top, front and left side perspective view of a light bulb showing my new design;
FIG. 2 is a bottom, rear and right side perspective view thereof;
FIG. 3 is a front elevational view thereof;
FIG. 4 is a rear elevational view thereof;
FIG. 5 is a left side view thereof;
FIG. 6 is a right side view thereof;
FIG. 7 is a top plan view thereof;
FIG. 8 is a bottom plan view thereof; and,
FIG. 9 is an enlarged view of portion 9 in FIG. 4.
The broken lines in the drawings illustrate portions of the light bulb which form no part of the claimed design.

1 Claim, 9 Drawing Sheets



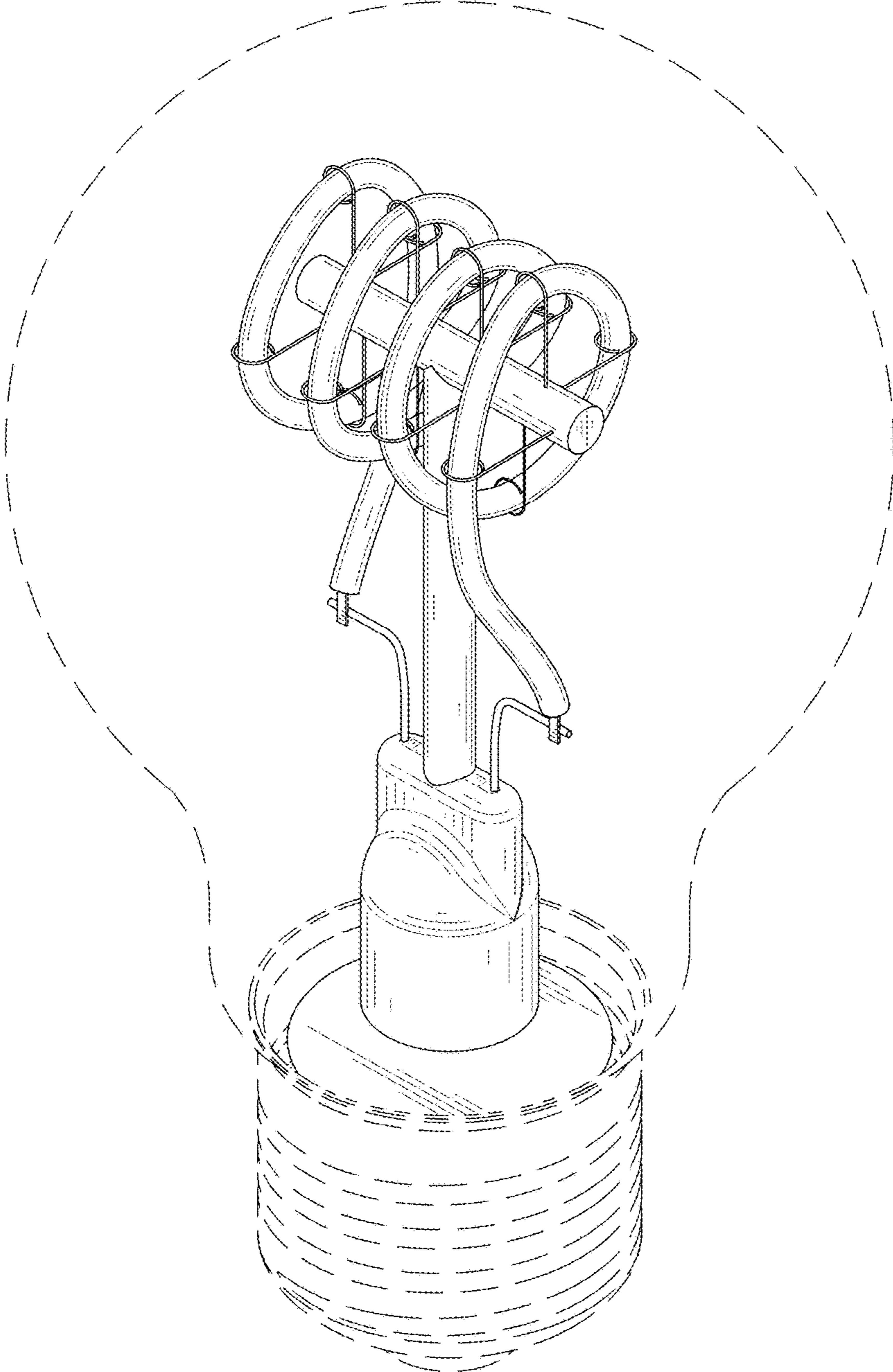


FIG. 1

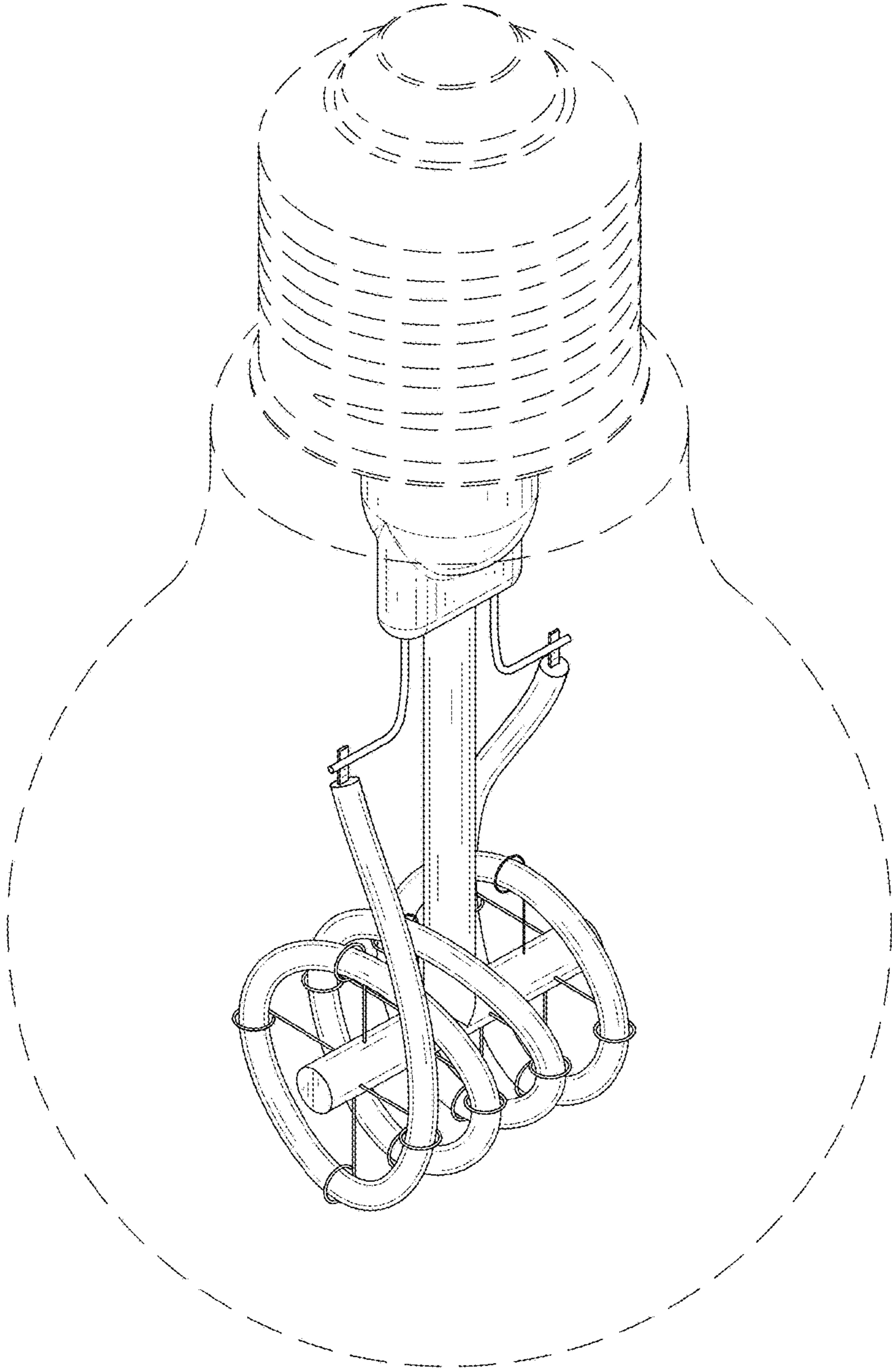


FIG. 2

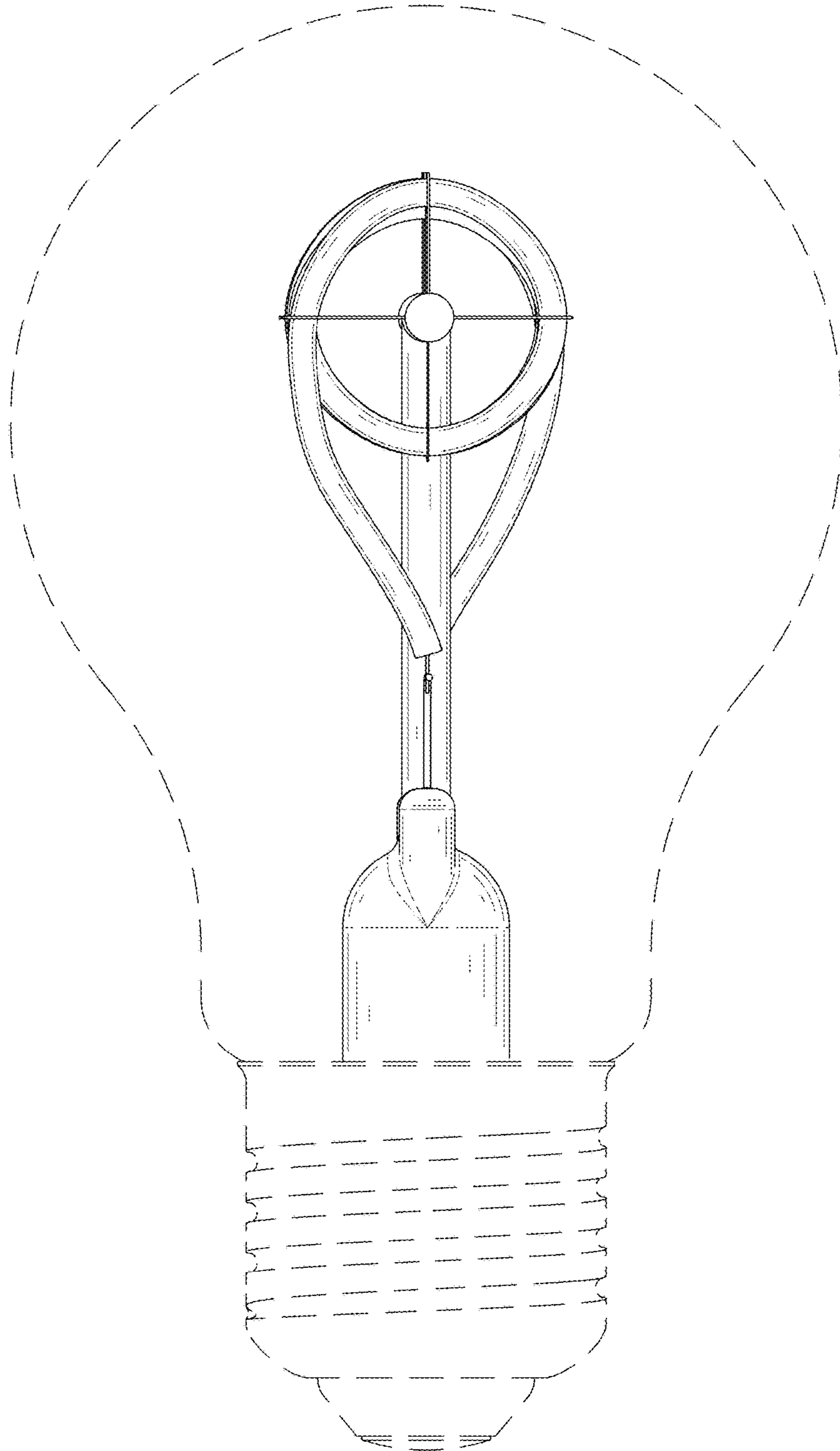


FIG. 3

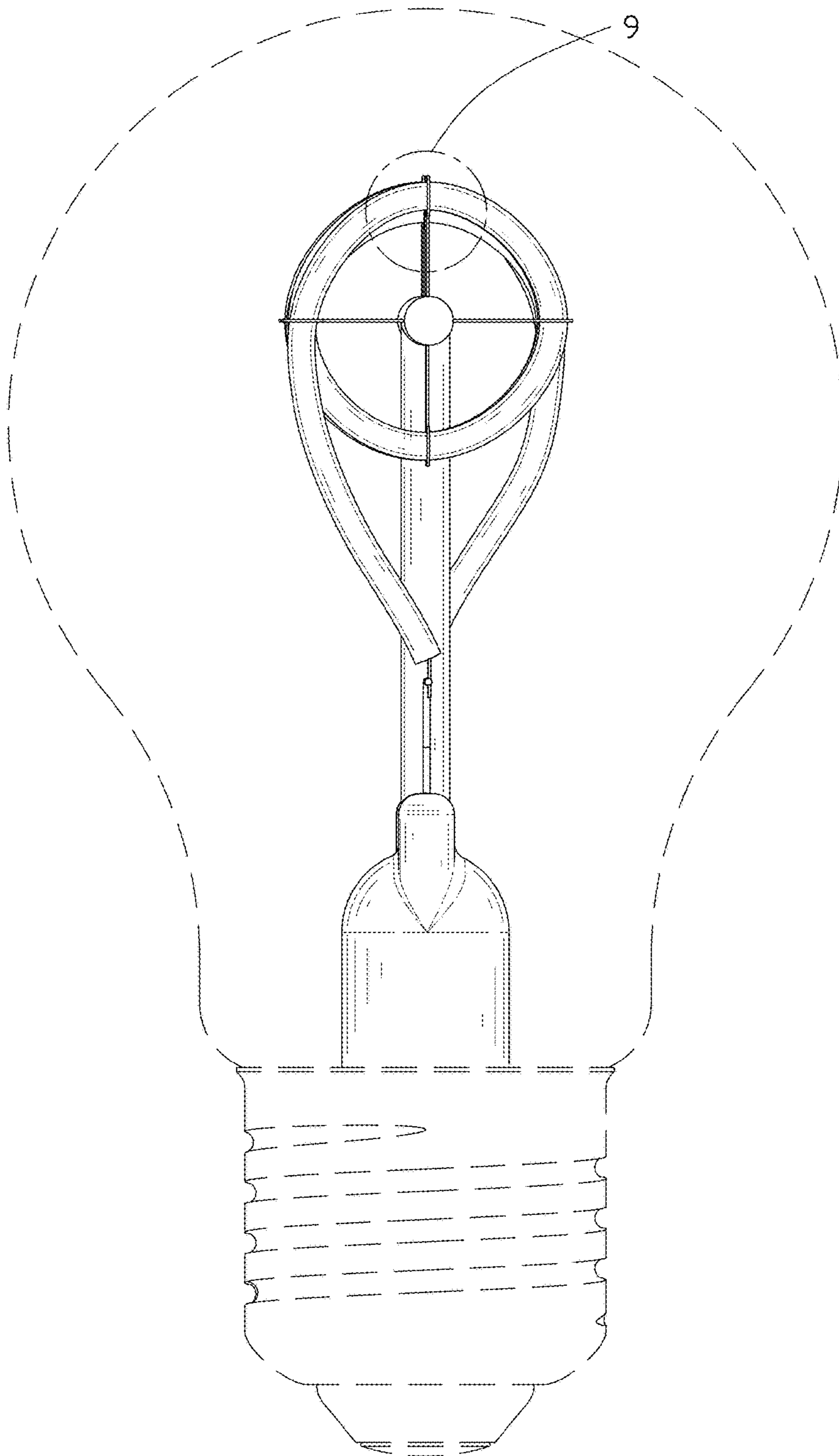


FIG. 4

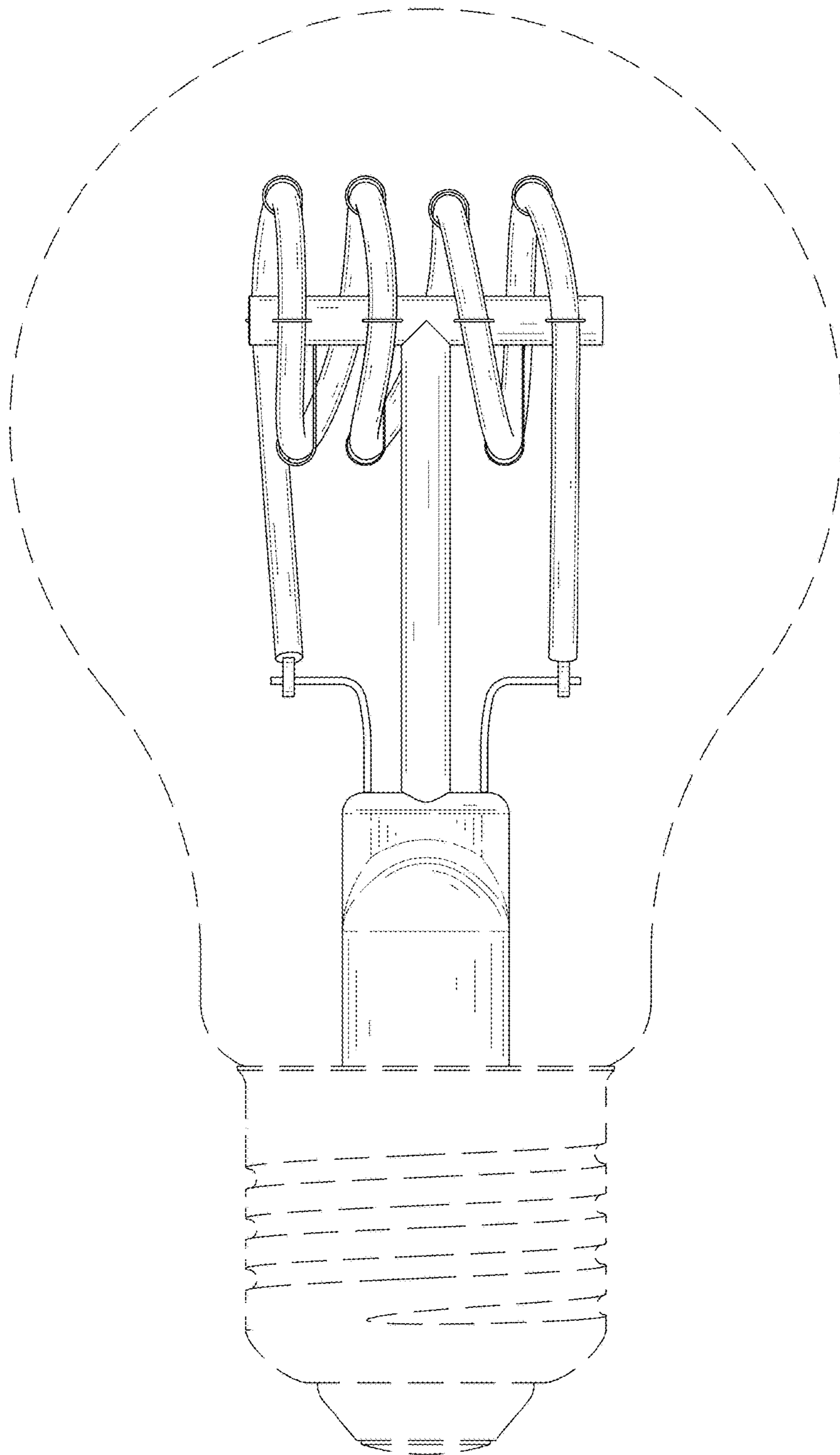


FIG. 5

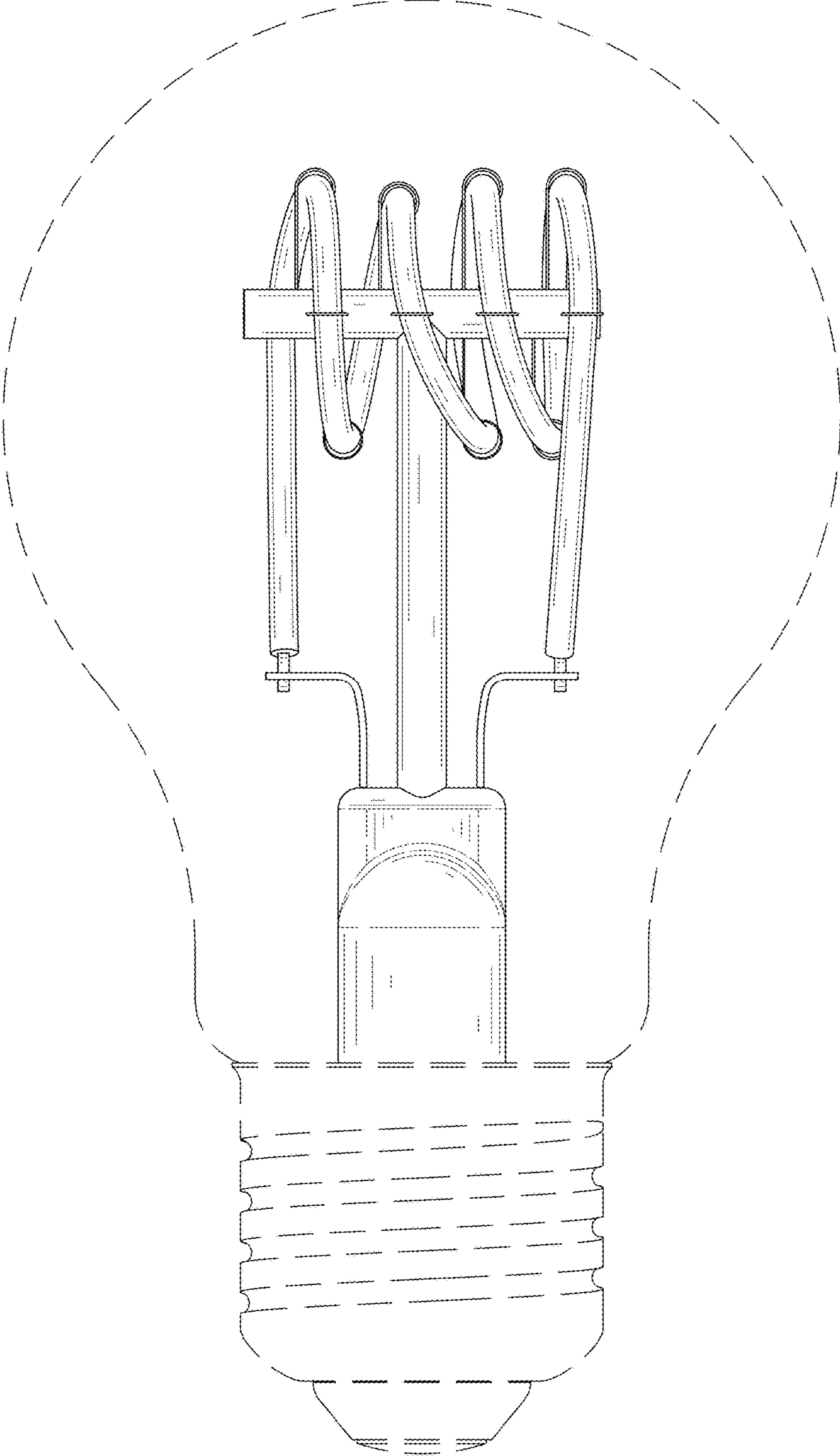


FIG. 6

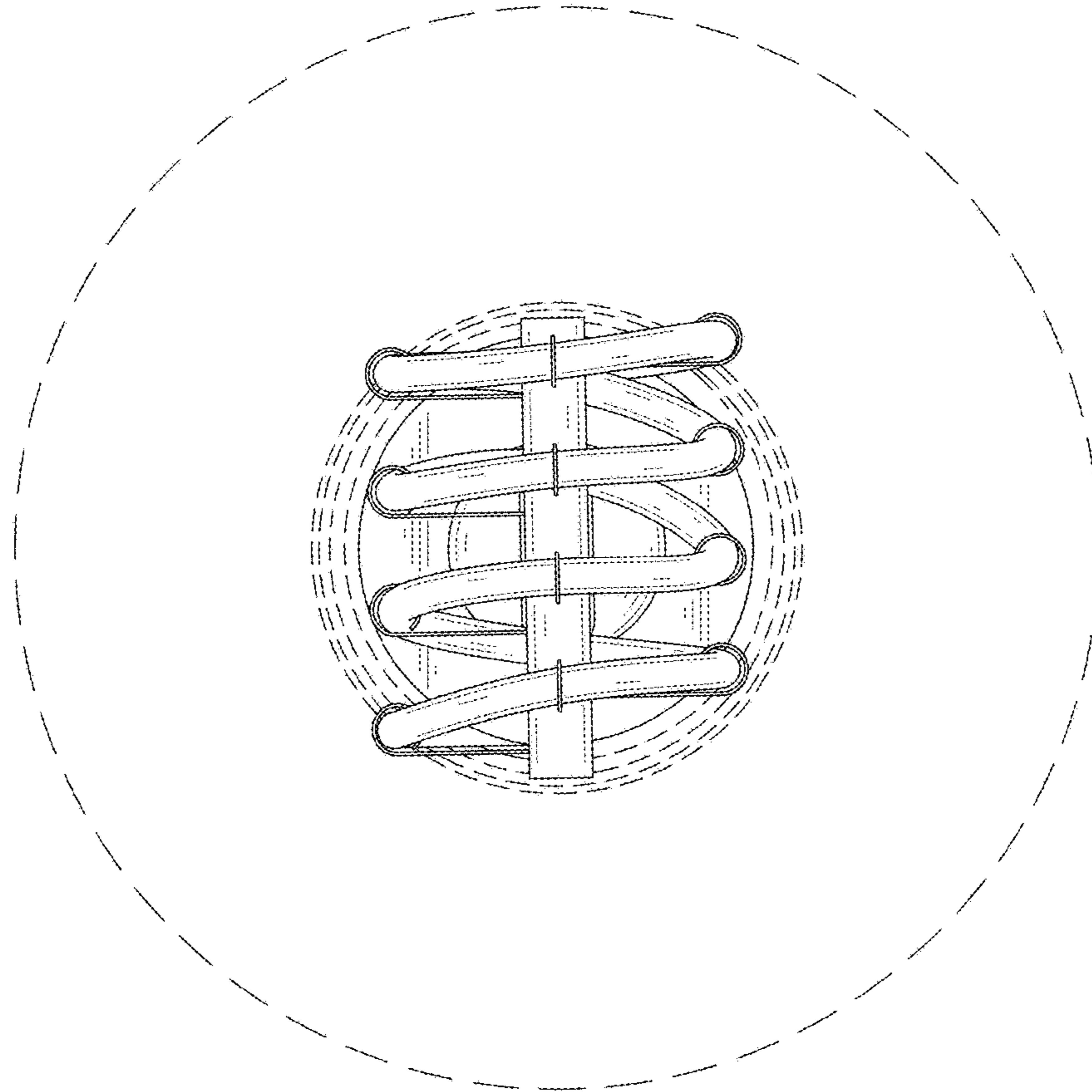


FIG. 7

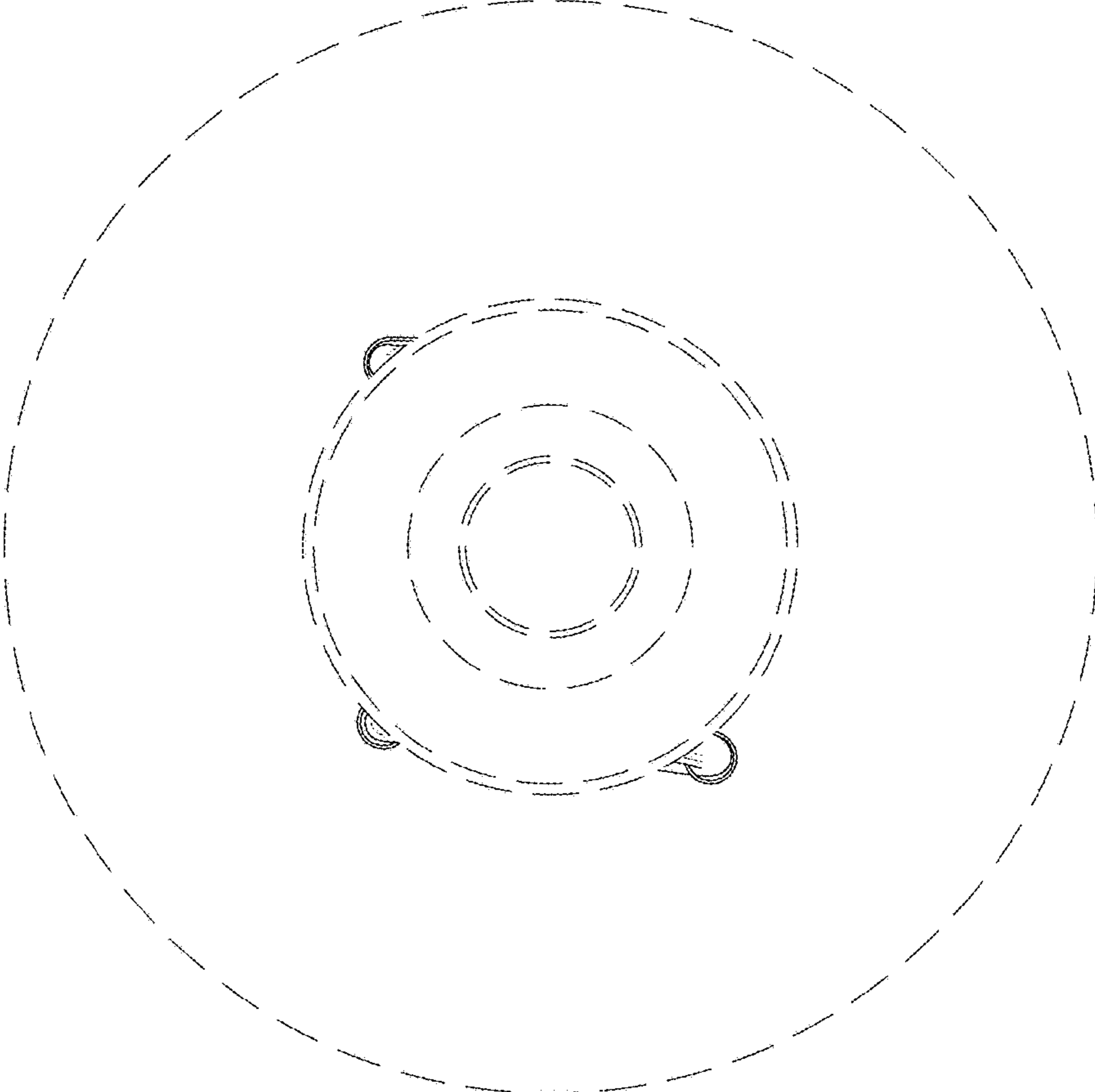


FIG. 8

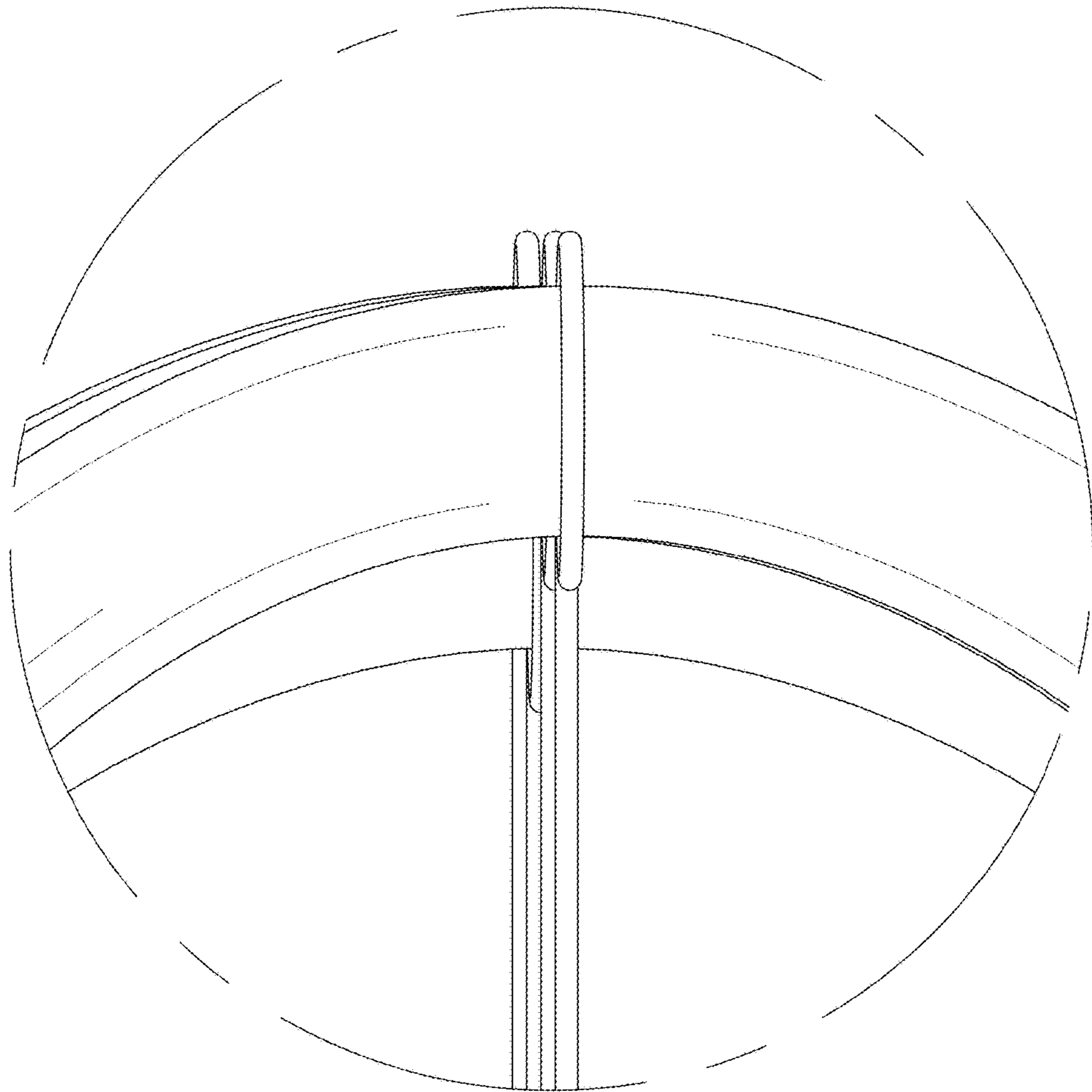


FIG. 9