



US00D859686S

(12) **United States Design Patent** Charm (10) **Patent No.:** **US D859,686 S**  
(45) **Date of Patent:** **\*\* Sep. 10, 2019**

(54) **CONTAINER TIN WITH CUTTER**

FOREIGN PATENT DOCUMENTS

(71) Applicant: **PLANET CANIT, LLC**, Highland Park, IL (US)

CN 202069859 U 12/2011  
CN 204208034 U 3/2015

(Continued)

(72) Inventor: **Hui Ho Charm**, Kwai Chung (HK)

OTHER PUBLICATIONS

(73) Assignee: **Planet Canit, LLC**, Highland Park, IL (US)

Etsy. Link: [https://www.etsy.com/listing/561190894/taxco-sterling-pill-snuff-box-in?show\\_sold\\_out\\_detail=1](https://www.etsy.com/listing/561190894/taxco-sterling-pill-snuff-box-in?show_sold_out_detail=1). Feb. 11, 2019. Taxco Sterling Pentagonal Pill Snuff Box. (Year: 2019).\*

(\*\*) Term: **15 Years**

(Continued)

(21) Appl. No.: **29/619,397**

*Primary Examiner* — Susan Bennett Hattan

*Assistant Examiner* — Lauren D McVey

(22) Filed: **Sep. 28, 2017**

(74) *Attorney, Agent, or Firm* — Eric L. Sophir; Dentons US LLP

(51) **LOC (12) Cl.** ..... **24-02**

(52) **U.S. Cl.**

USPC ..... **D24/224**; D9/761

(58) **Field of Classification Search**

USPC ..... D24/220, 224, 226, 229, 231; D9/761, D9/756

CPC ..... A61J 7/003; A61J 7/0076; A61J 7/0092; A61J 7/02; A61J 7/0007; A61J 7/0015; B65D 83/04; B65D 83/0409; B26D 3/30; B26D 7/01

See application file for complete search history.

(57) **CLAIM**

The ornamental design for a container tin with cutter, as shown and described.

**DESCRIPTION**

FIG. 1 is an isometric view of a container tin with cutter, showing my new design in a fully opened state; FIG. 2 is an isometric view thereof, in a partially opened state; FIG. 3 is a plan view thereof; FIG. 4 is a right side elevation view of the container tin with cutter of FIG. 1 in a fully closed state, the left side being a mirror image thereof; FIG. 5 is a front elevation view thereof; FIG. 6 is a rear elevation view thereof; FIG. 7 is a top, rear, and left side isometric view thereof; FIG. 8 is a top, front, and right side isometric view thereof; FIG. 9 is a top plan view thereof; and, FIG. 10 is a bottom plan view thereof.

The drawings show a right side elevational view of the container tin with cutter but do not show a left side elevational view as this is a mirror image of the right side elevational view.

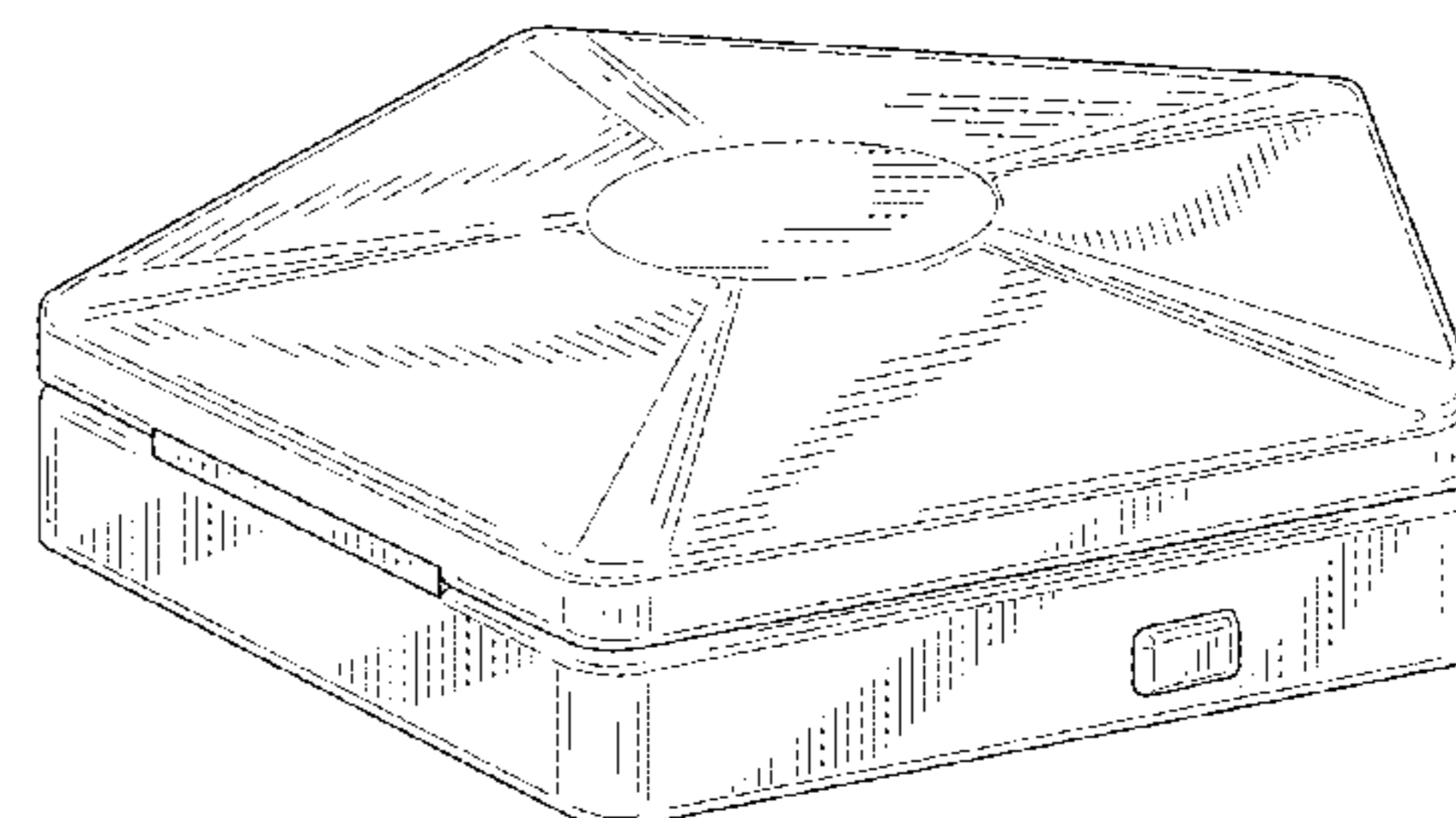
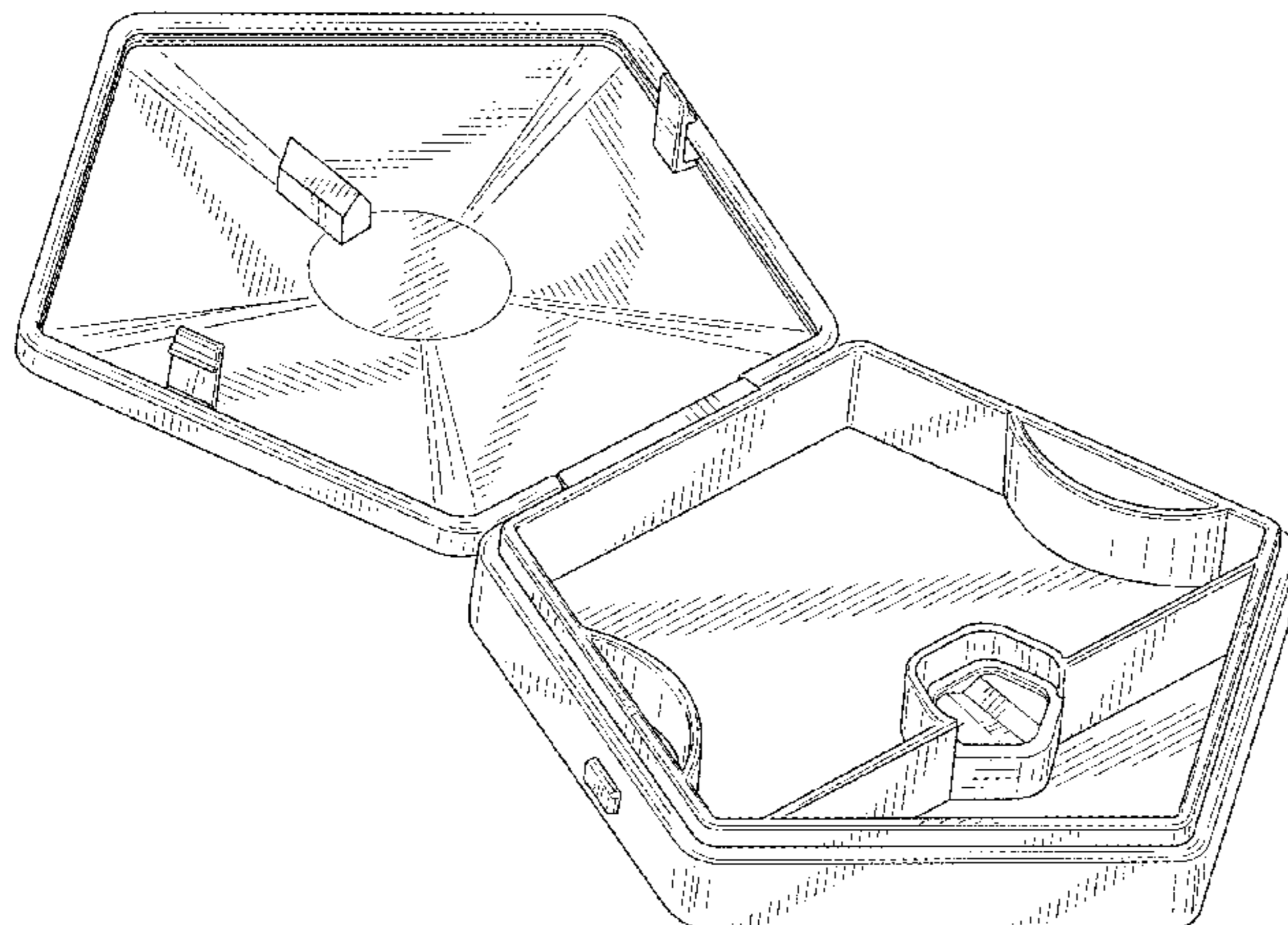
**1 Claim, 7 Drawing Sheets**

(56) **References Cited**

U.S. PATENT DOCUMENTS

- 1,649,088 A \* 11/1927 Tinsley ..... B65D 5/2033  
229/108
- 2,722,309 A \* 11/1955 Waterman ..... B65D 47/28  
206/534.2
- 4,159,568 A \* 7/1979 Berner ..... B65D 85/42  
30/124
- 4,697,344 A 10/1987 Leopoldi
- D299,744 S \* 2/1989 Bauer ..... D24/223

(Continued)



(56)

**References Cited**

U.S. PATENT DOCUMENTS

D310,731	S *	9/1990	Lieptz .....	D24/101
D316,298	S *	4/1991	Morrow .....	D24/223
5,118,021	A	6/1992	Fiocchi	
5,626,067	A *	5/1997	Lothe .....	B26B 29/06 269/289 R
D468,023	S *	12/2002	Buckley .....	D24/220
7,243,826	B2	7/2007	Darst	
8,292,101	B1	10/2012	Bragg et al.	
D815,752	S *	4/2018	Jackson .....	D24/224
D832,728	S *	11/2018	Piccoli .....	D10/106.91
D844,474	S *	4/2019	Atteberry .....	D10/106.1
2004/0007595	A1	1/2004	Stull et al.	
2005/0067452	A1	3/2005	Darst	
2008/0011803	A1	1/2008	Petrie et al.	
2009/0183373	A1	7/2009	Suhr	
2015/0021326	A1	1/2015	Giraud et al.	
2018/0086518	A1*	3/2018	Charm .....	B26D 3/30
2018/0161242	A1*	6/2018	Rodriguez .....	A61J 1/03

FOREIGN PATENT DOCUMENTS

DE	19959746	A1 *	6/2001	.....	B65D 71/50
FR	2901542	A1 *	11/2007	.....	B65D 85/36

OTHER PUBLICATIONS

The International Search Report and the Written Opinion of the International Searching Authority, dated Dec. 26, 2017, in corresponding International Application No. PCT/US17/54131, 23 pages.

\* cited by examiner

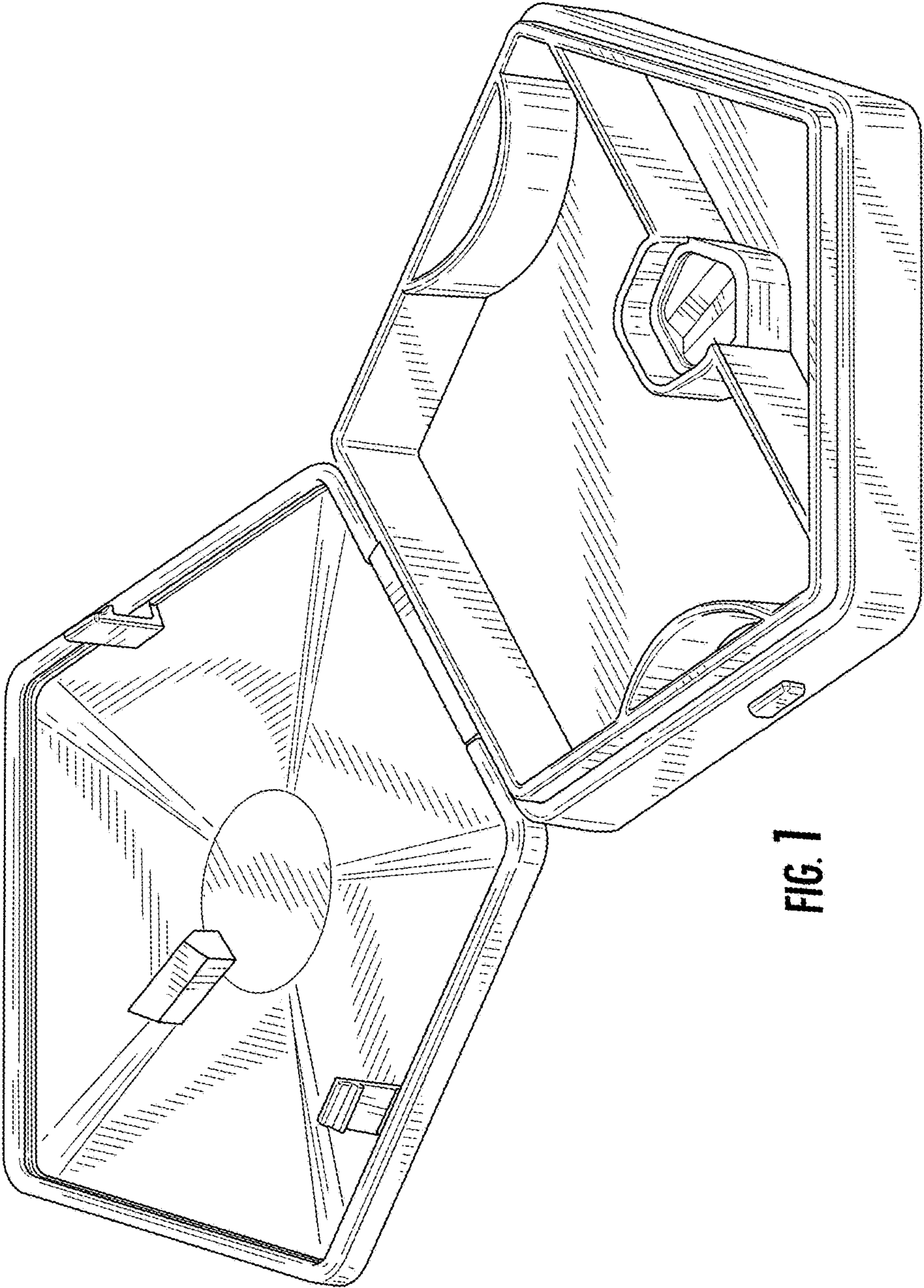


FIG. 1

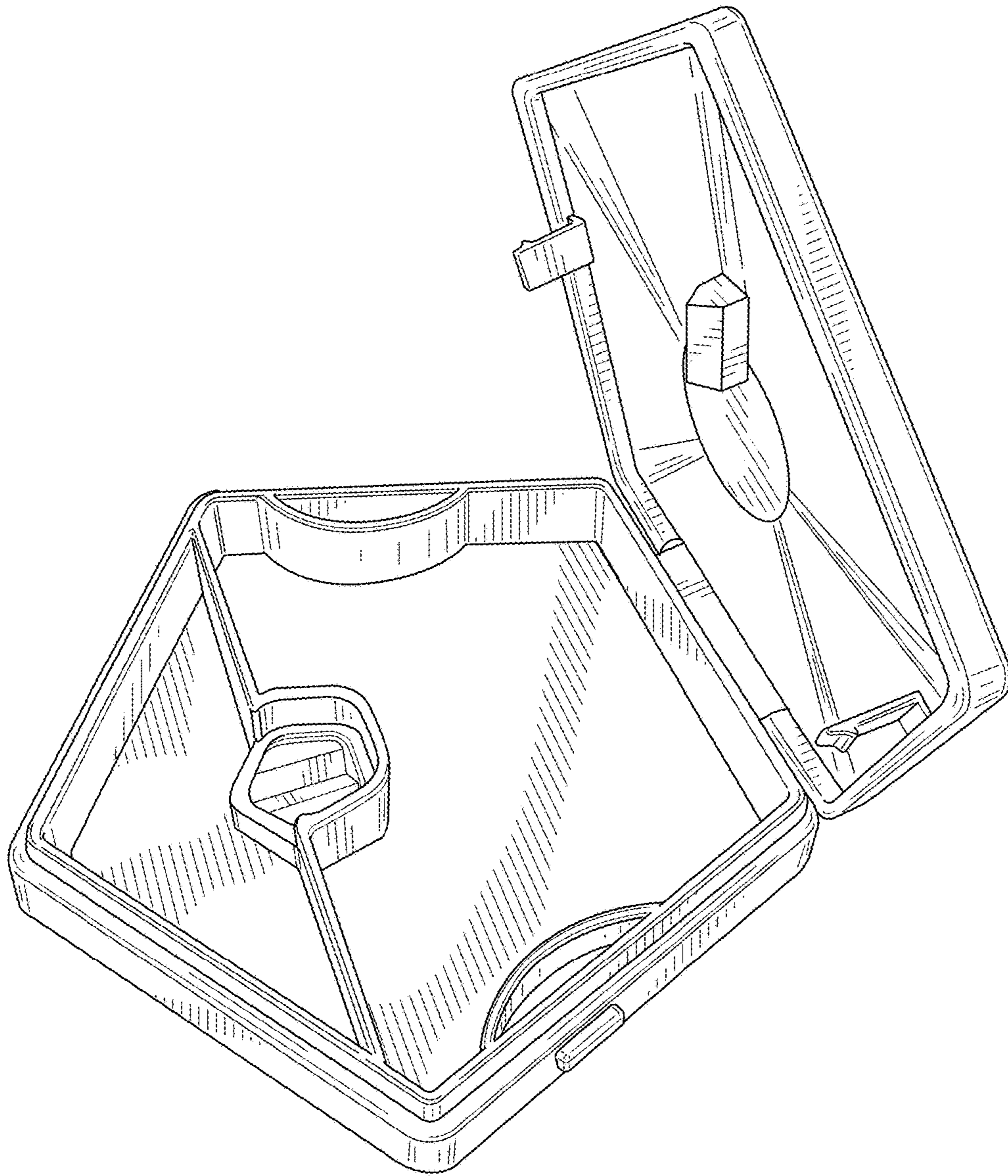


FIG. 2

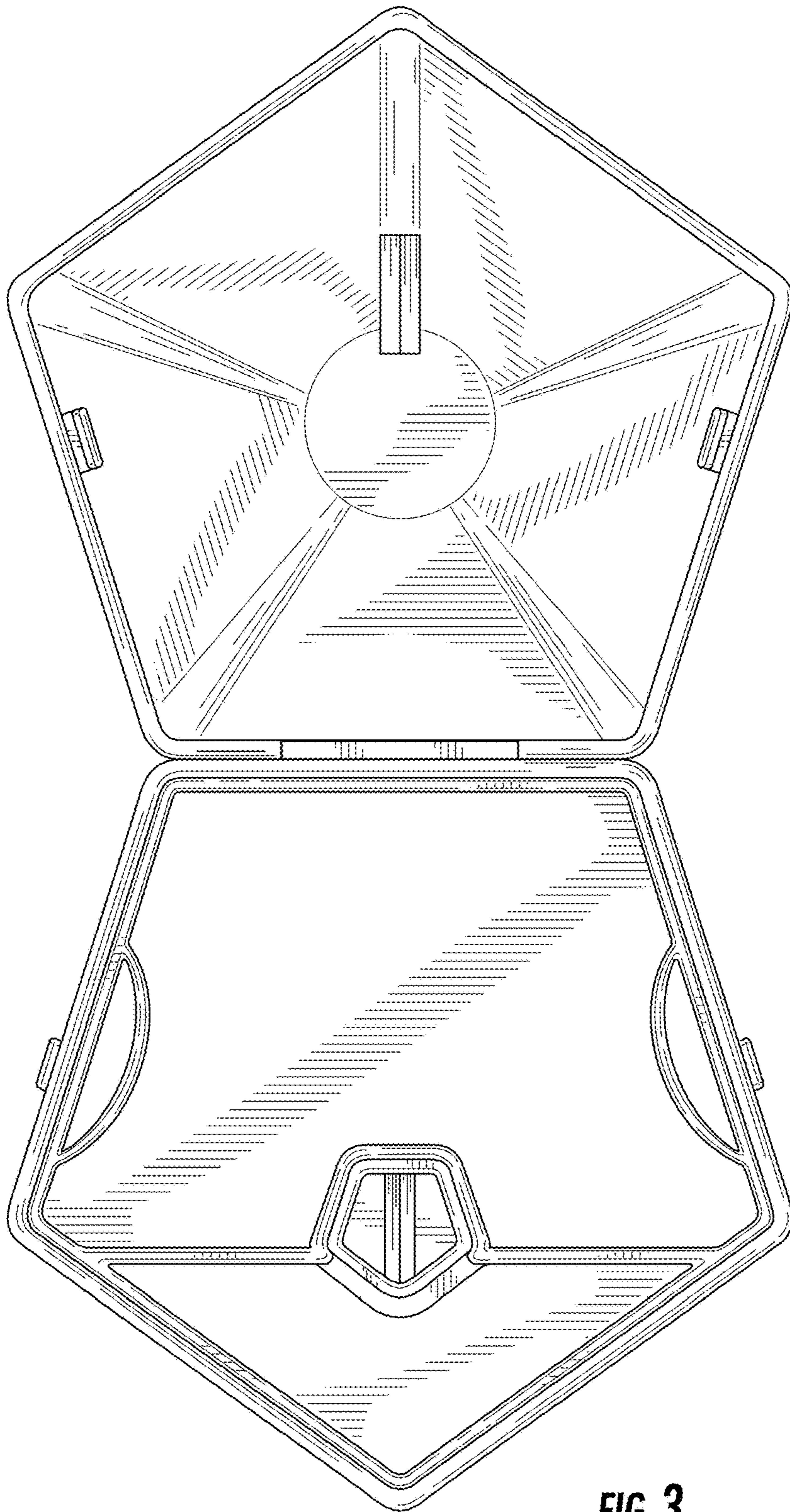
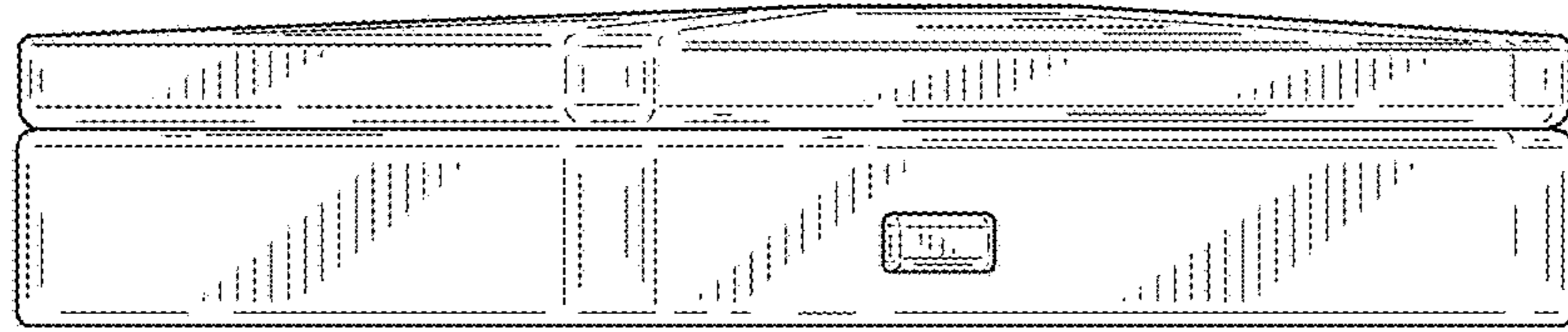
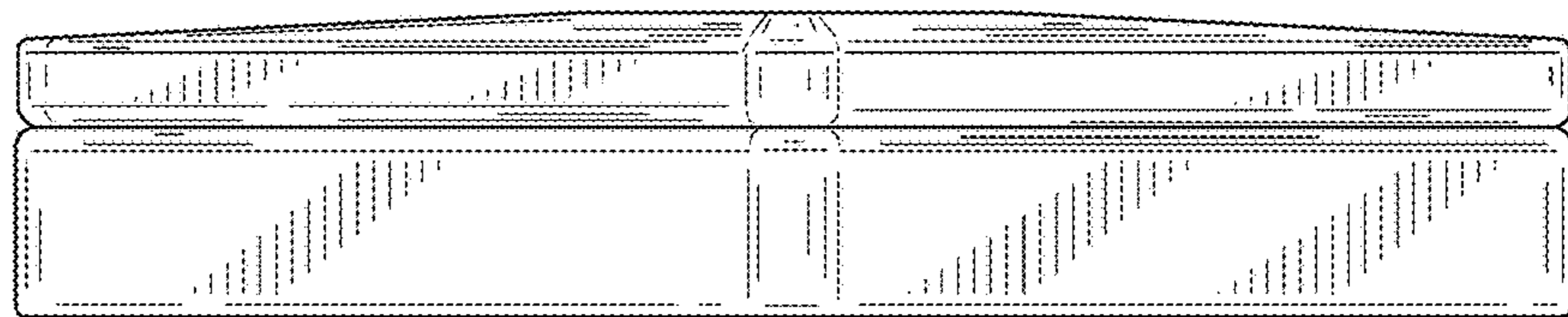


FIG. 3



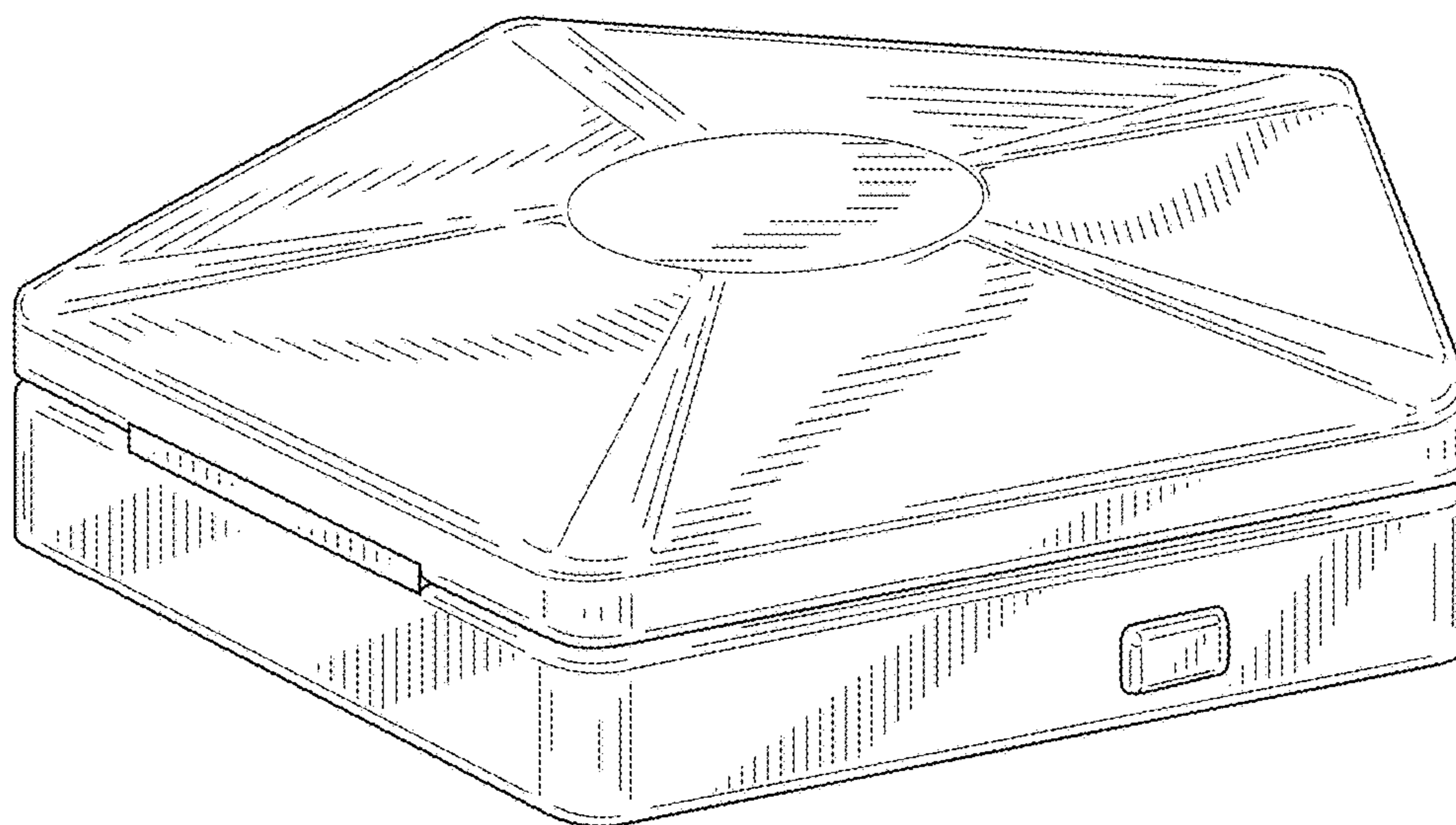
**FIG. 4**



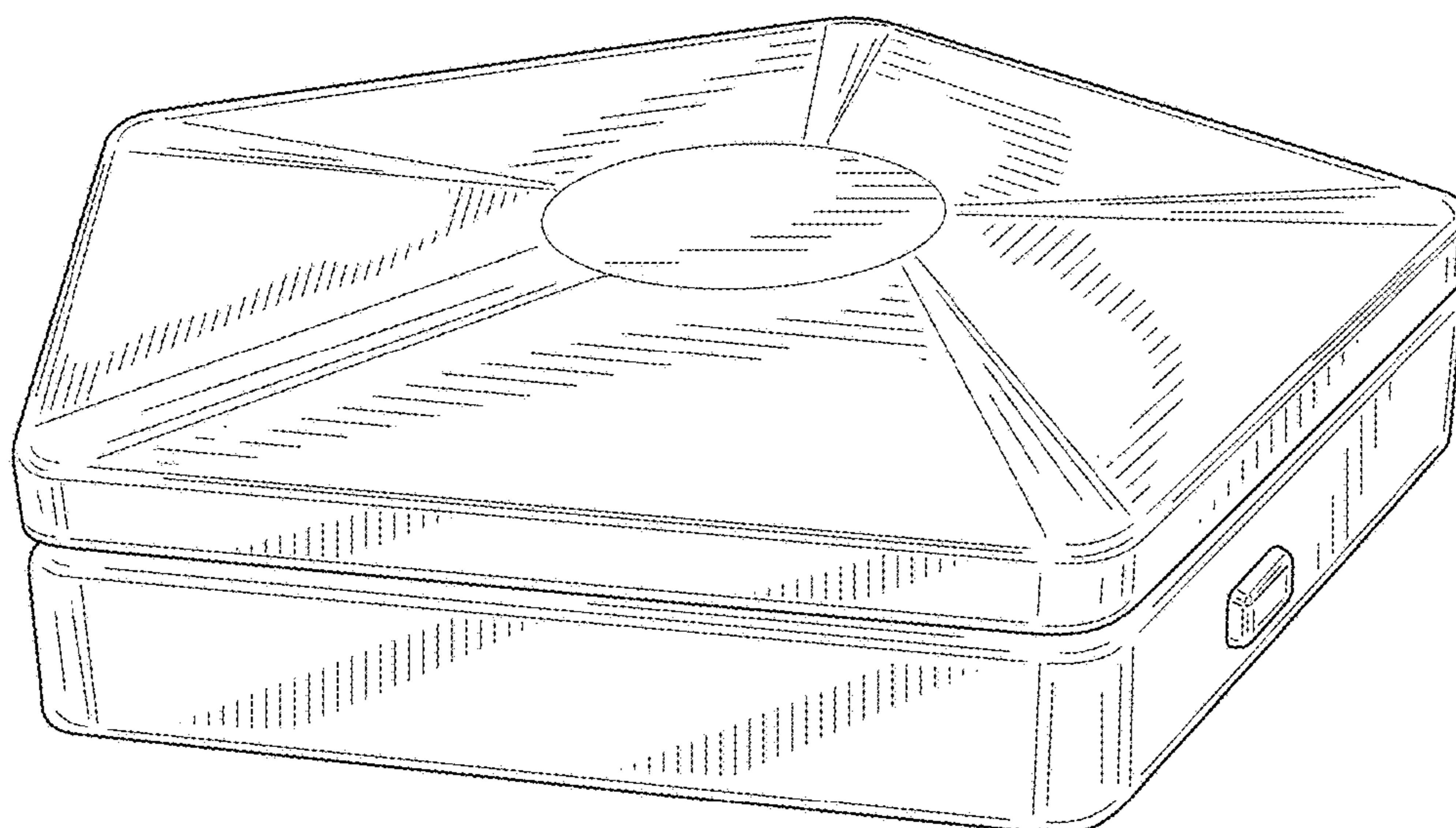
**FIG. 5**



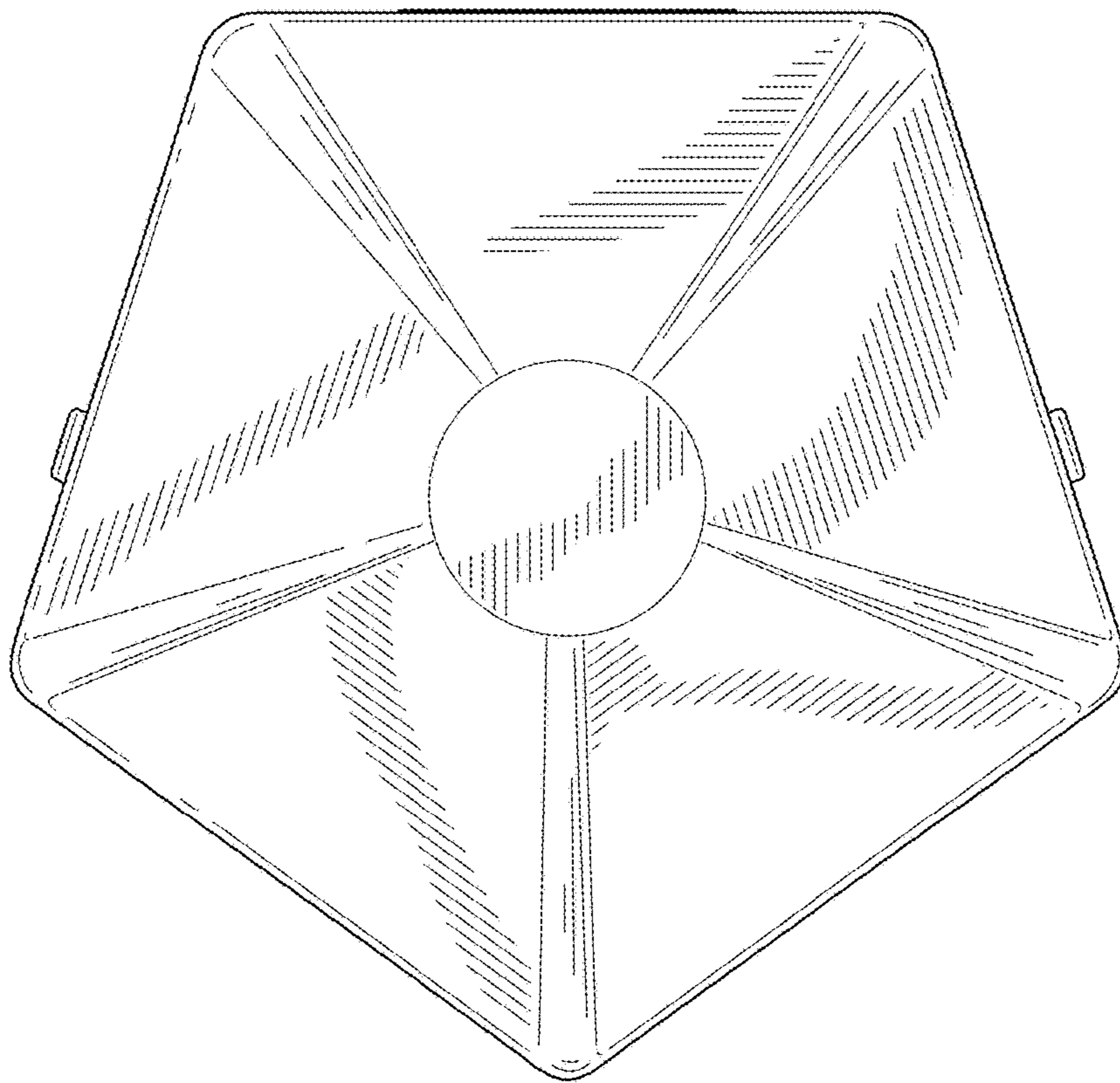
**FIG. 6**



**FIG. 7**

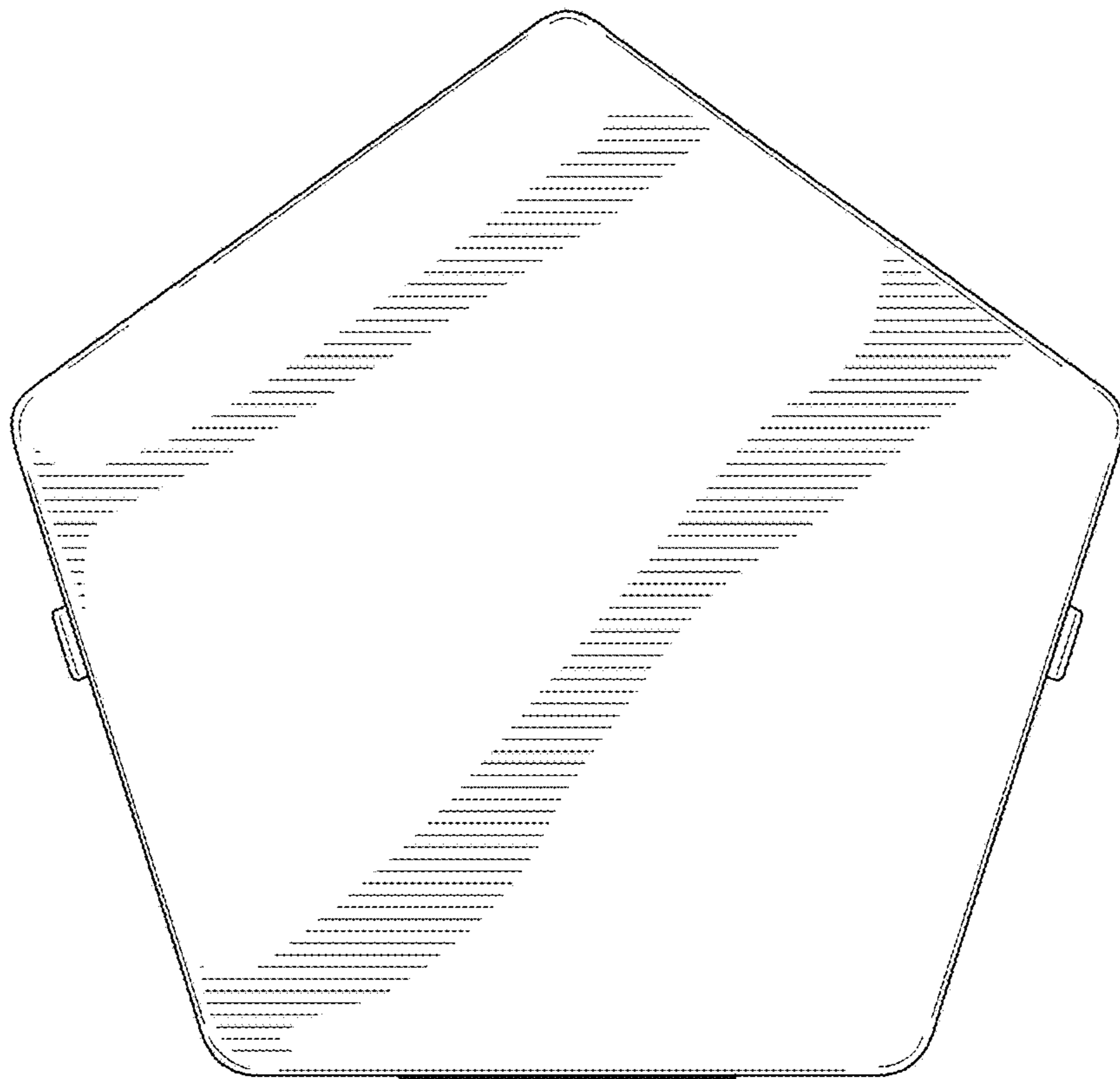


**FIG. 8**



**FIG. 9**





**FIG. 10**