



US00D859685S

(12) **United States Design Patent**
Tsai et al.

(10) **Patent No.:** **US D859,685 S**
(45) **Date of Patent:** **** Sep. 10, 2019**

(54) **DISPOSABLE BIO-ANALYSIS CARTRIDGE**

(71) Applicant: **BIOPTIC, INC.**, New Taipei (TW)

(72) Inventors: **Shou-Kuan Tsai**, New Taipei (TW);
Varouj D. Amirkhanian, La Crescenta,
CA (US)

(73) Assignee: **BIOPTIC, INC.**, New Taipei (TW)

(**) Term: **15 Years**

(21) Appl. No.: **29/596,283**

(22) Filed: **Mar. 7, 2017**

Related U.S. Application Data

(62) Division of application No. 15/438,754, filed on Feb. 21, 2017.

(51) **LOC (12) Cl.** **24-02**

(52) **U.S. Cl.**
USPC **D24/224**

(58) **Field of Classification Search**
USPC D24/107, 121, 133, 216, 222-230, 233;
D9/523, 547, 549, 550, 724, 732
CPC B01F 13/0025; B01J 2219/00292; B01J
2220/64; B01L 3/14; B01L 3/21-237;
B01L 3/508-50825; B01L 3/52-523;
G01F 11/02

See application file for complete search history.

(56) **References Cited**

U.S. PATENT DOCUMENTS

D373,633 S * 9/1996 La Motte 436/809
D439,673 S * 3/2001 Brophy D24/226

D627,477 S * 11/2010 Guichardon D24/222
D698,458 S * 1/2014 Tsai D24/224
D772,426 S * 11/2016 Sanchez D24/222
9,815,062 B2 * 11/2017 Cobb B01L 3/5082
2008/0184823 A1 * 8/2008 Kneucker B01L 3/0217
73/864.16
2009/0064801 A1 * 3/2009 Roussel B01L 3/0217
73/864.13
2013/0118118 A1 * 5/2013 Kubler B01L 3/50825
53/381.1

OTHER PUBLICATIONS

Bio-Fragment Analyzer. [online] Published Jul. 1, 2018. Retrieved from URL: <https://www.genengnews.com/new-products/bio-fragment-analyzer/6144>.*

* cited by examiner

Primary Examiner — Vy N Koenig
(74) *Attorney, Agent, or Firm* — Liu & Liu

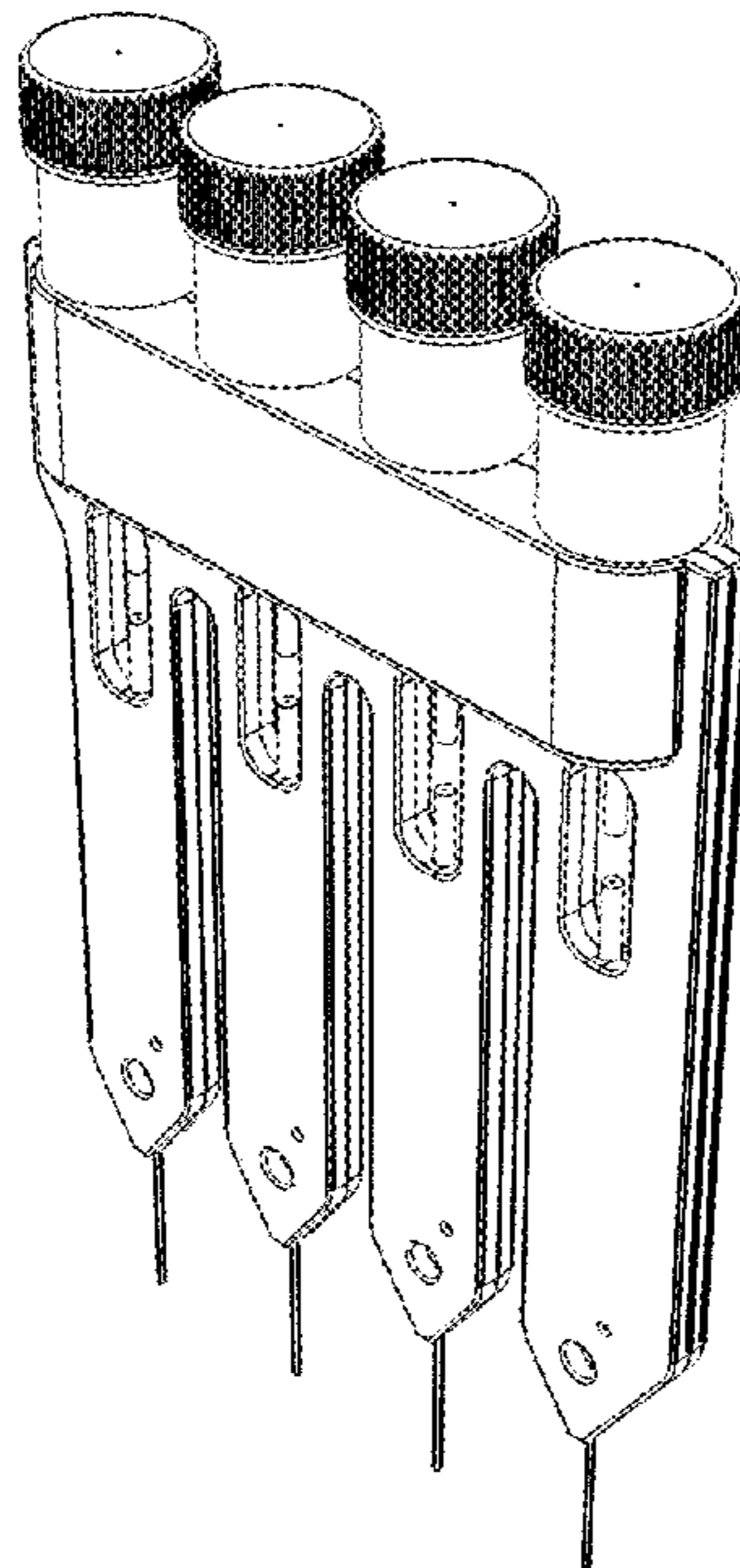
(57) **CLAIM**

The ornamental design for a disposable bio-analysis cartridge, as shown and described.

DESCRIPTION

FIG. 1 is a left perspective view of the new design;
FIG. 2 is a right perspective view thereof;
FIG. 3 is a front view thereof;
FIG. 4 is a rear view thereof;
FIG. 5 is a right side view thereof;
FIG. 6 is a left side view thereof;
FIG. 7 is a top plan view thereof; and,
FIG. 8 is a bottom plan view thereof.

1 Claim, 6 Drawing Sheets



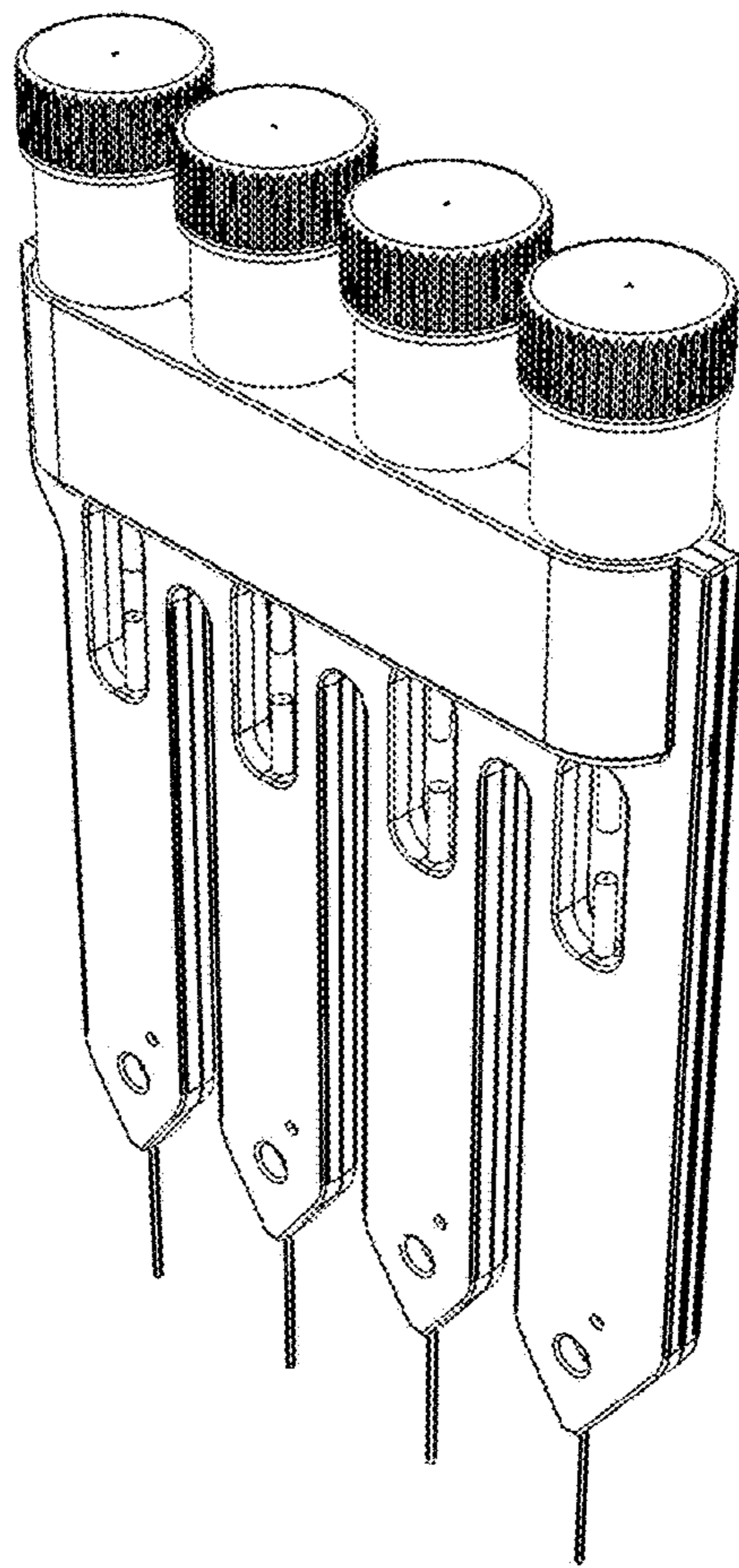


FIG. 1

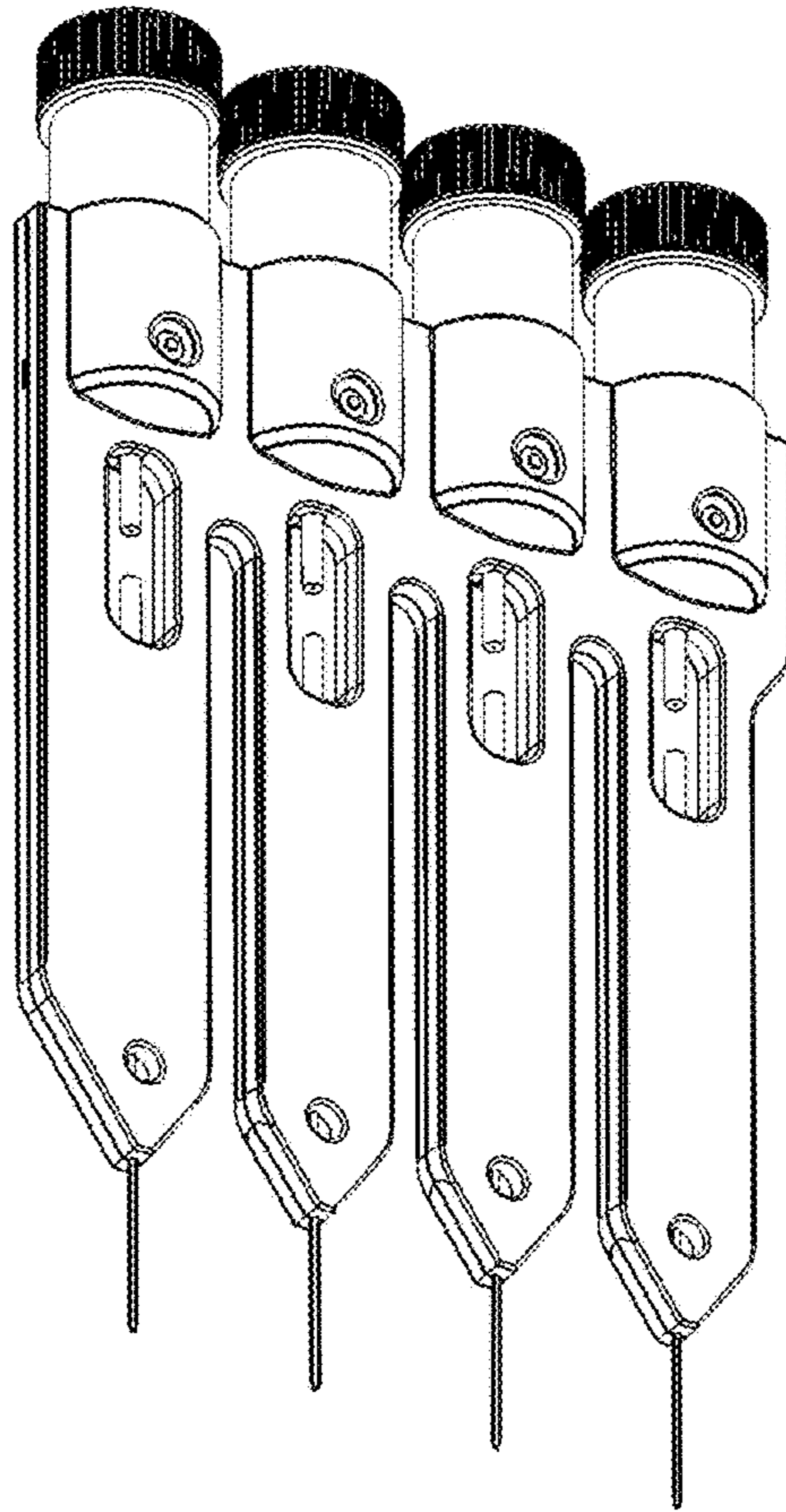


FIG. 2

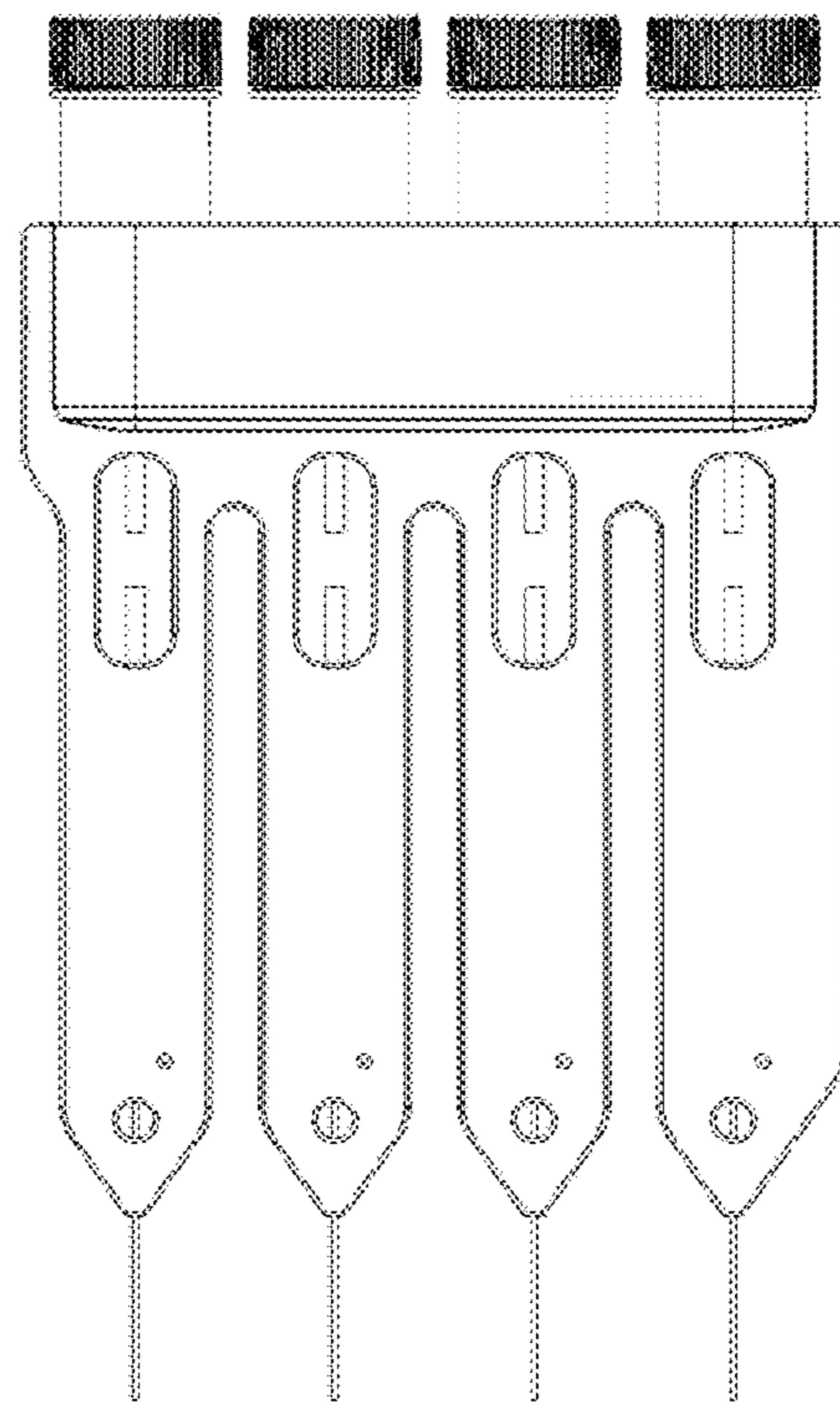


FIG. 3

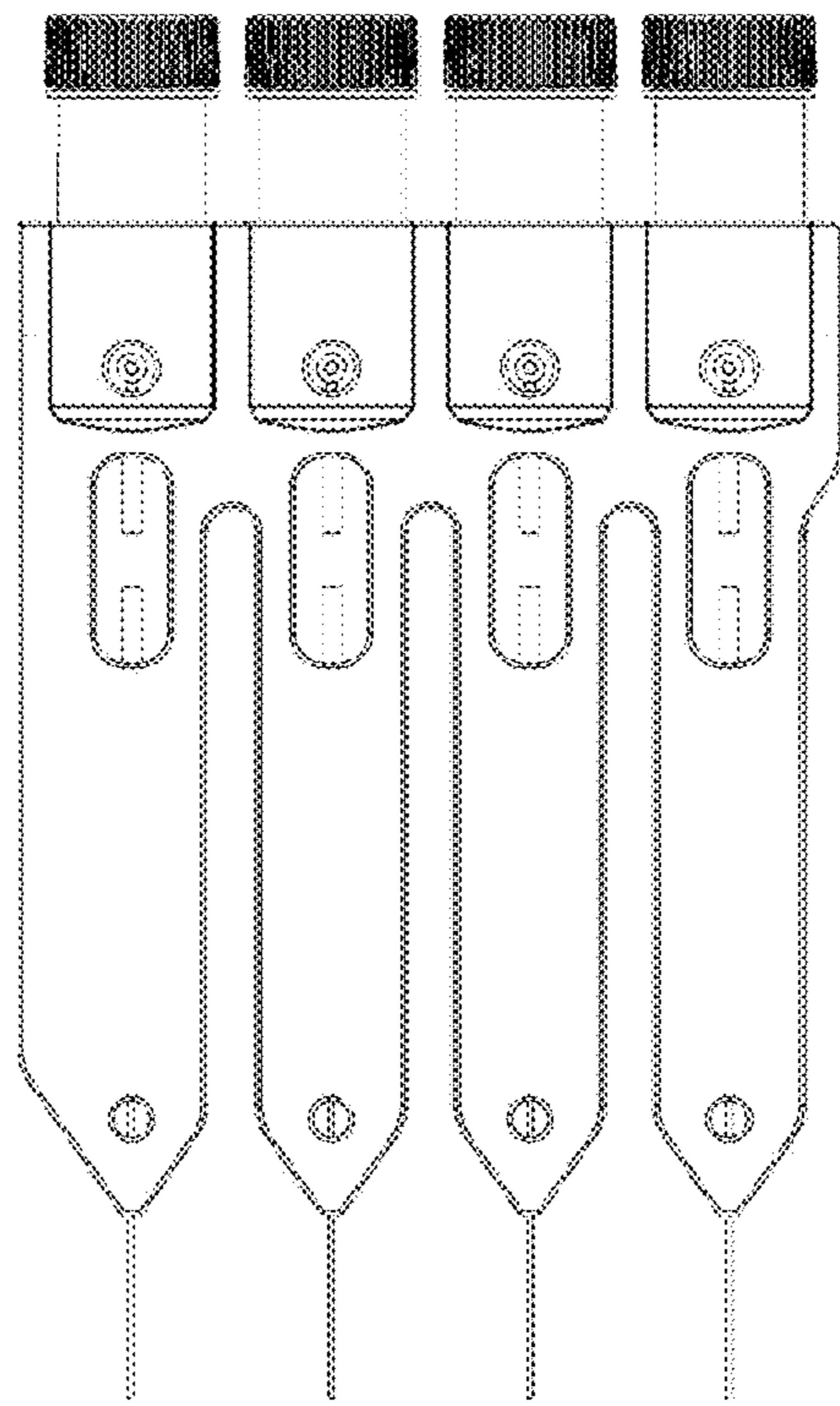


FIG. 4

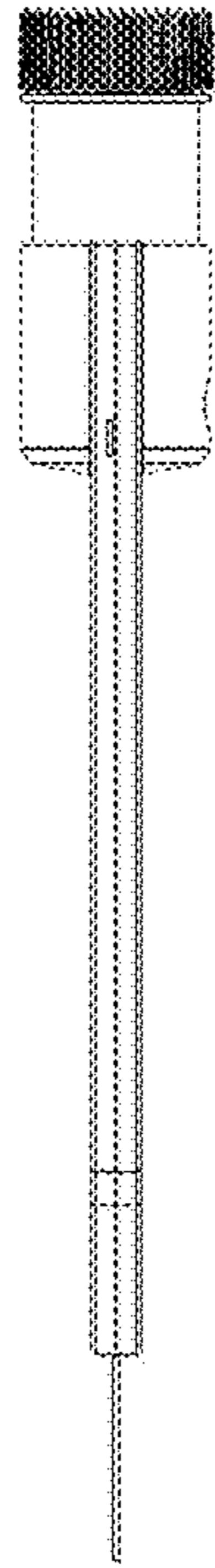


FIG. 5

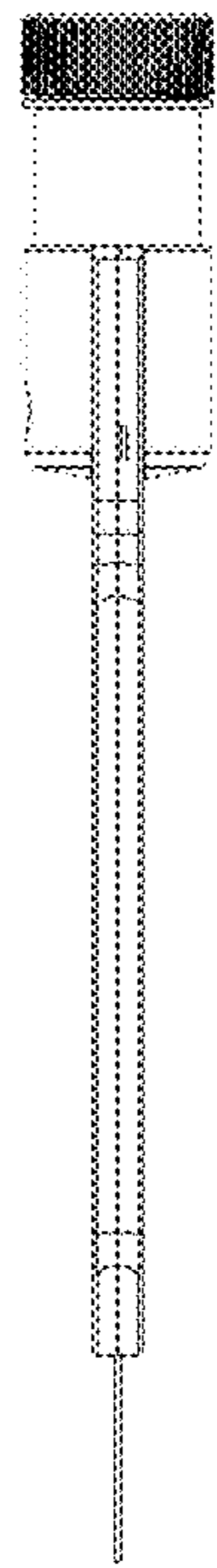


FIG. 6

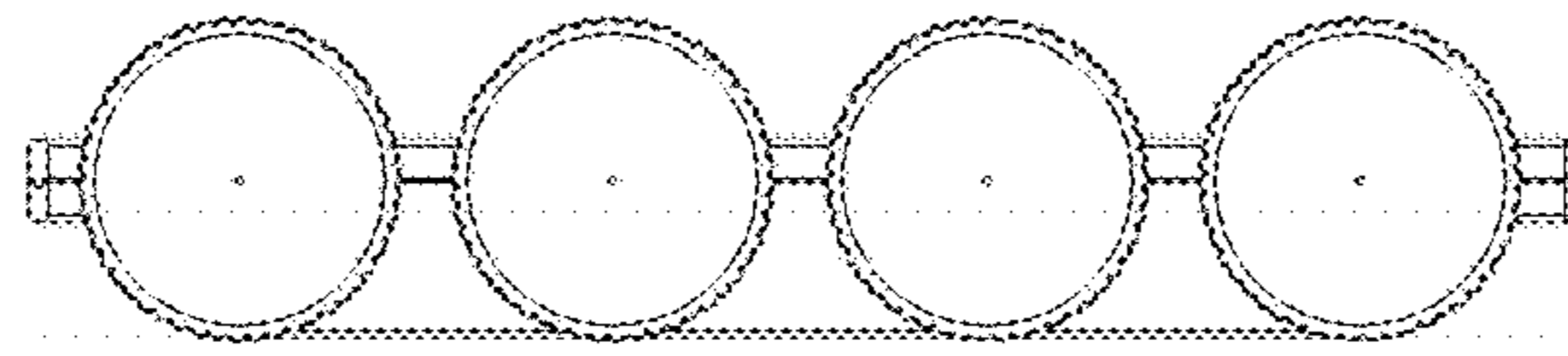


FIG. 7

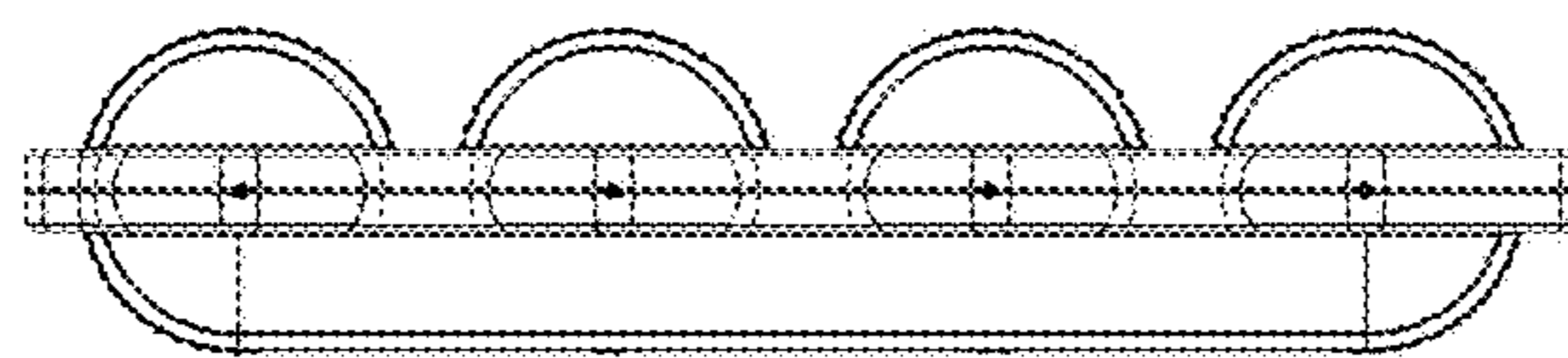


FIG. 8