



US00D859684S

(12) **United States Design Patent** (10) **Patent No.:** **US D859,684 S**
Edwards et al. (45) **Date of Patent:** **** Sep. 10, 2019**

(54) **BODY FLUID DIAGNOSTIC TESTING DEVICE**

- (71) Applicant: **LIA DIAGNOSTICS, INC.**,
Philadelphia, PA (US)
- (72) Inventors: **Bethany Edwards**, Harveys Lake, PA
(US); **Anna Couturier**, Philadelphia,
PA (US)
- (73) Assignee: **LIA DIAGNOSTICS, INC.**,
Philadelphia, PA (US)
- (**) Term: **15 Years**
- (21) Appl. No.: **29/665,863**
- (22) Filed: **Oct. 8, 2018**

Related U.S. Application Data

- (63) Continuation of application No. 29/582,054, filed on
Oct. 25, 2016, now Pat. No. Des. 830,572.
- (51) **LOC (12) Cl.** **24-02**
- (52) **U.S. Cl.**
USPC **D24/223**; D10/81
- (58) **Field of Classification Search**
USPC D10/81, 223
CPC .. B01L 2300/123; G01N 21/78; G01N 21/80;
G01N 33/76; G01N 33/689; G01N
33/54386; G01N 33/558; G01N
33/48792; G01N 33/48785; G01N
33/493; G01N 33/62; G01N 2201/022;
G01N 2201/0221; G01N 2201/0222;
G01N 2333/59; G01N 2800/368
See application file for complete search history.

(56) **References Cited**

U.S. PATENT DOCUMENTS

7,723,124 B2 *	5/2010	Aberl	G01N 33/558 436/518
7,776,618 B2	8/2010	Nazareth et al.	
7,846,383 B2	12/2010	Song	
D735,879 S	8/2015	Behar et al.	
D764,069 S	8/2016	Peluso	
9,606,116 B2	3/2017	Edwards et al.	

* cited by examiner

Primary Examiner — Antoine D Davis

(74) *Attorney, Agent, or Firm* — Rimôn, P.C.

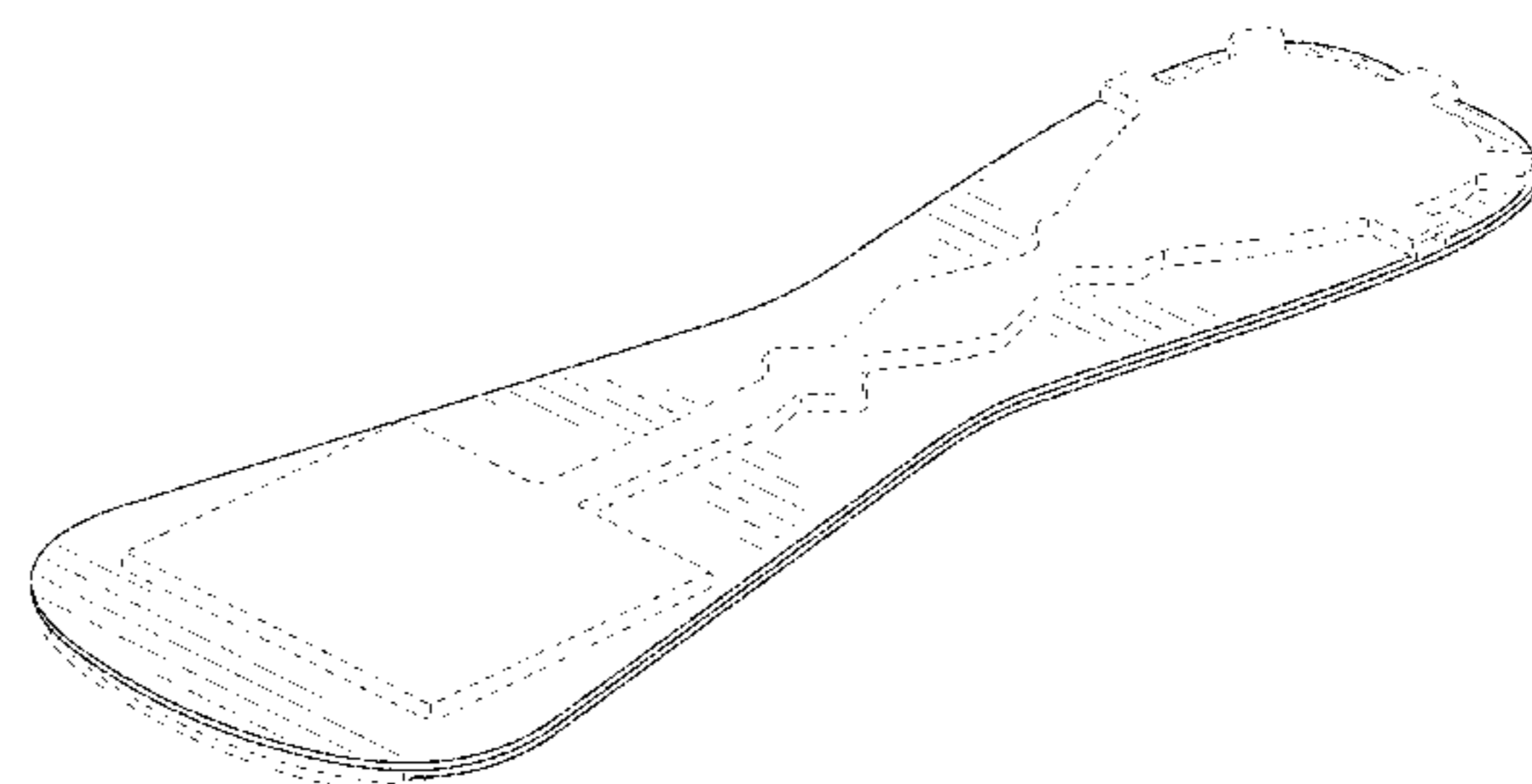
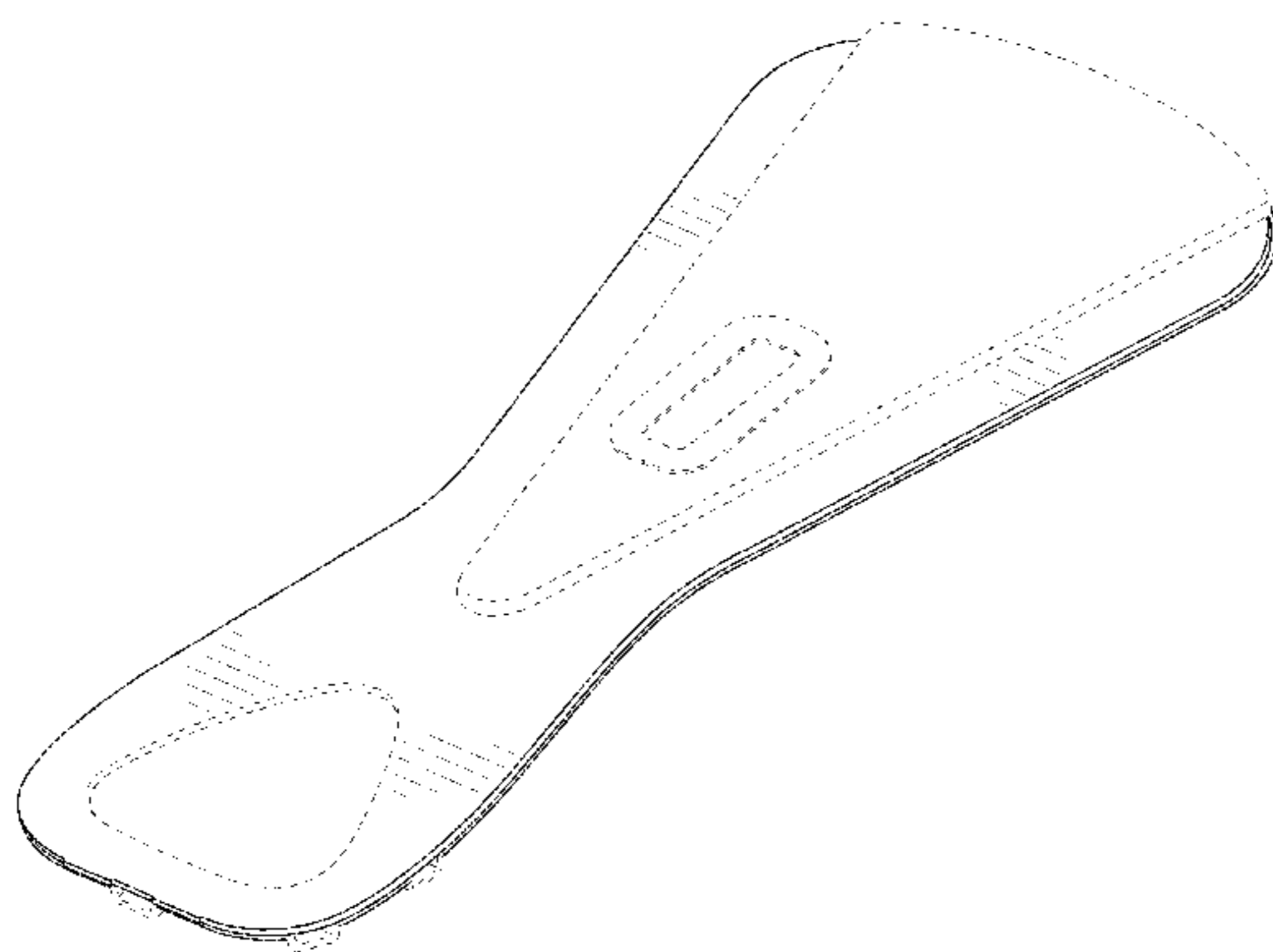
(57) **CLAIM**

We claim the ornamental design for a body fluid diagnostic testing device, as shown and described.

DESCRIPTION

FIG. 1 is an upper perspective view of a first embodiment of the body fluid diagnostic testing device;
 FIG. 2 is a lower perspective view of the body fluid diagnostic testing device in FIG. 1;
 FIG. 3 is a top plan view of the body fluid diagnostic testing device shown in FIG. 1;
 FIG. 4 is a bottom plan view of the body fluid diagnostic testing device shown in FIG. 1;
 FIG. 5 is a right side view of the body fluid diagnostic testing device shown in FIG. 1;
 FIG. 6 is a left side view of the body fluid diagnostic testing device shown in FIG. 1;
 FIG. 7 is a forward plan view of the body fluid diagnostic testing device shown in FIG. 1; and,
 FIG. 8 is a rear plan view of the body fluid diagnostic testing device shown in FIG. 1.
 The broken lines in the figures are environmental only and form no part of the claimed design.

1 Claim, 8 Drawing Sheets



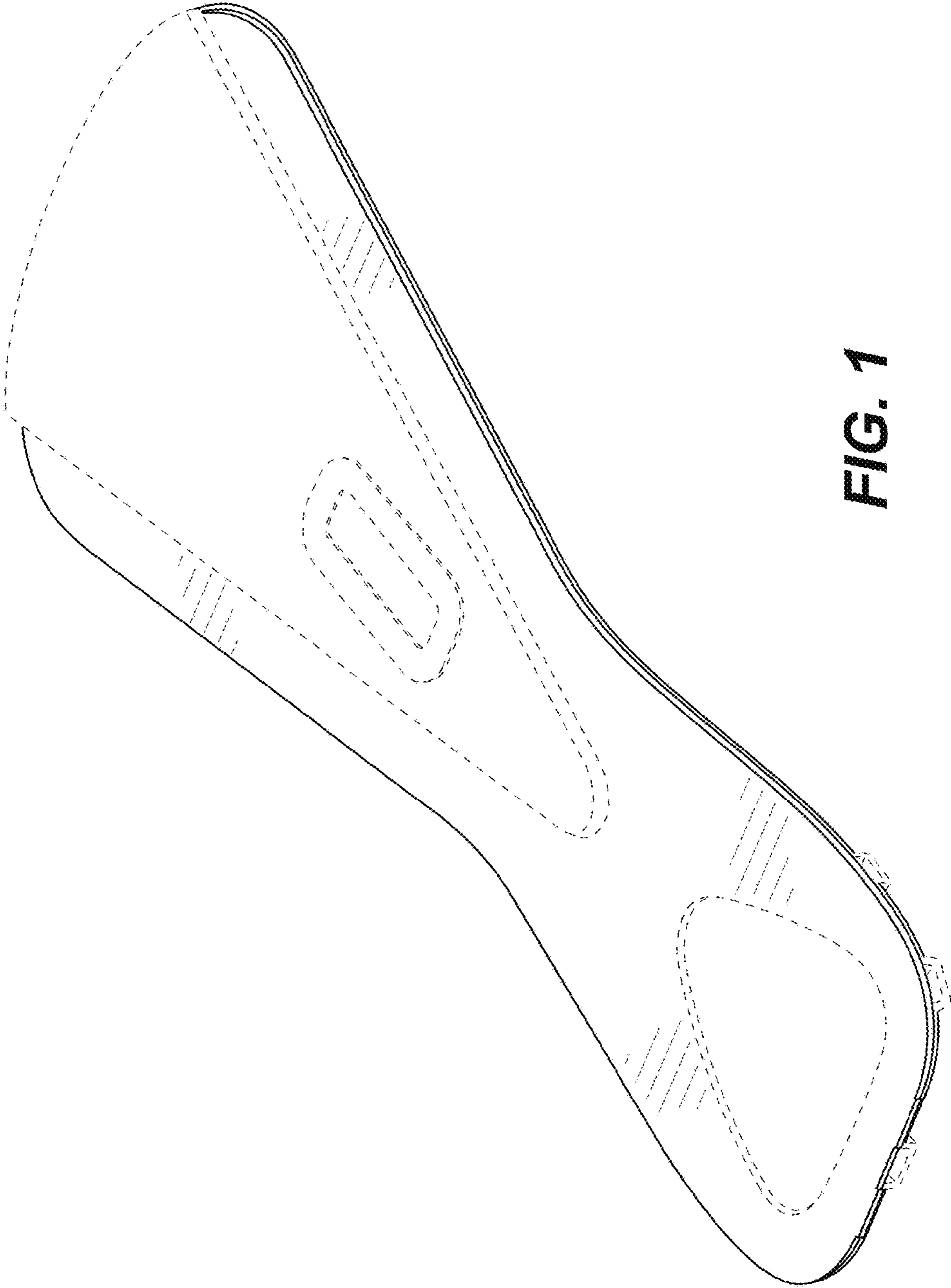


FIG. 1

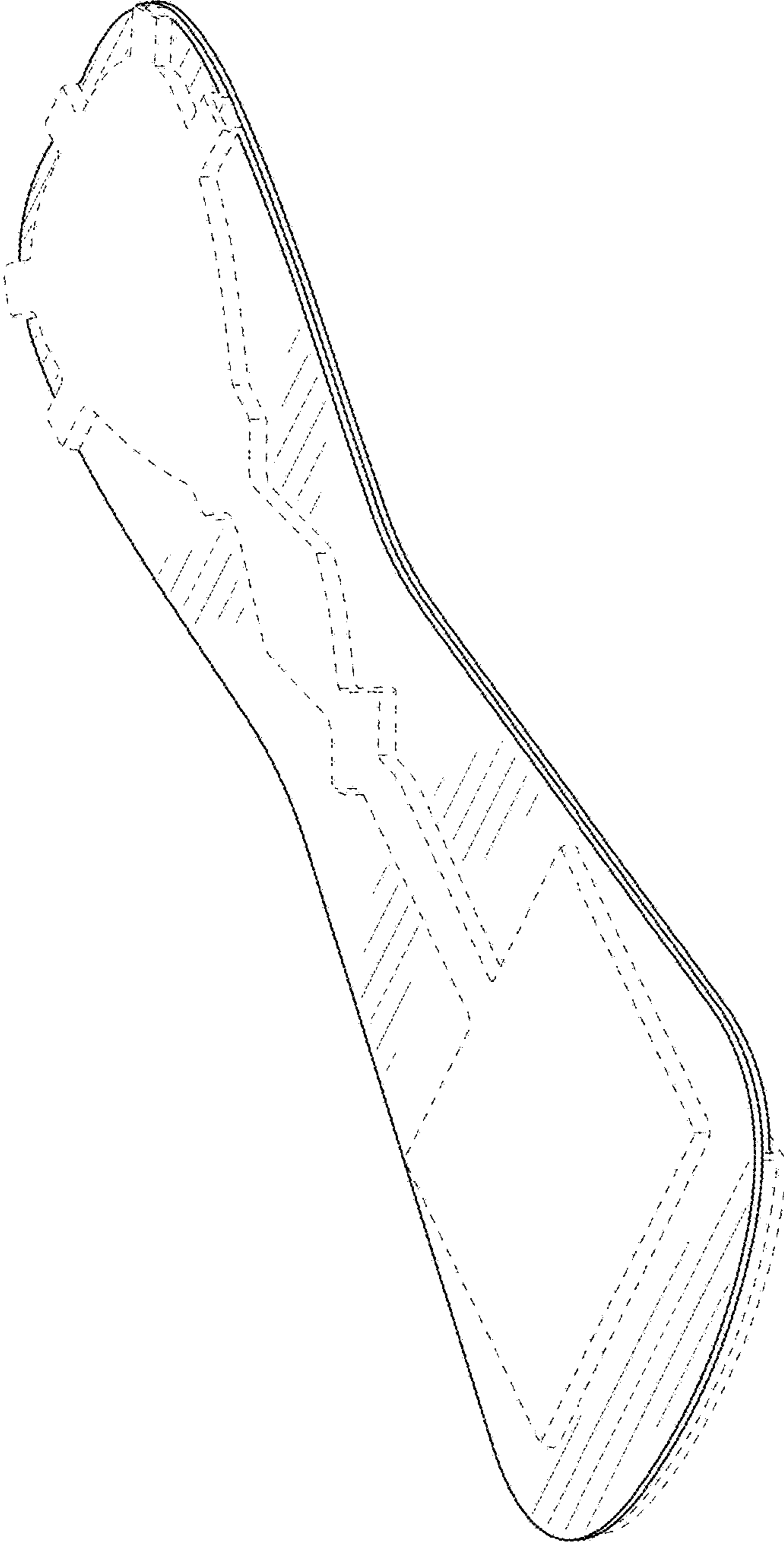


FIG. 2

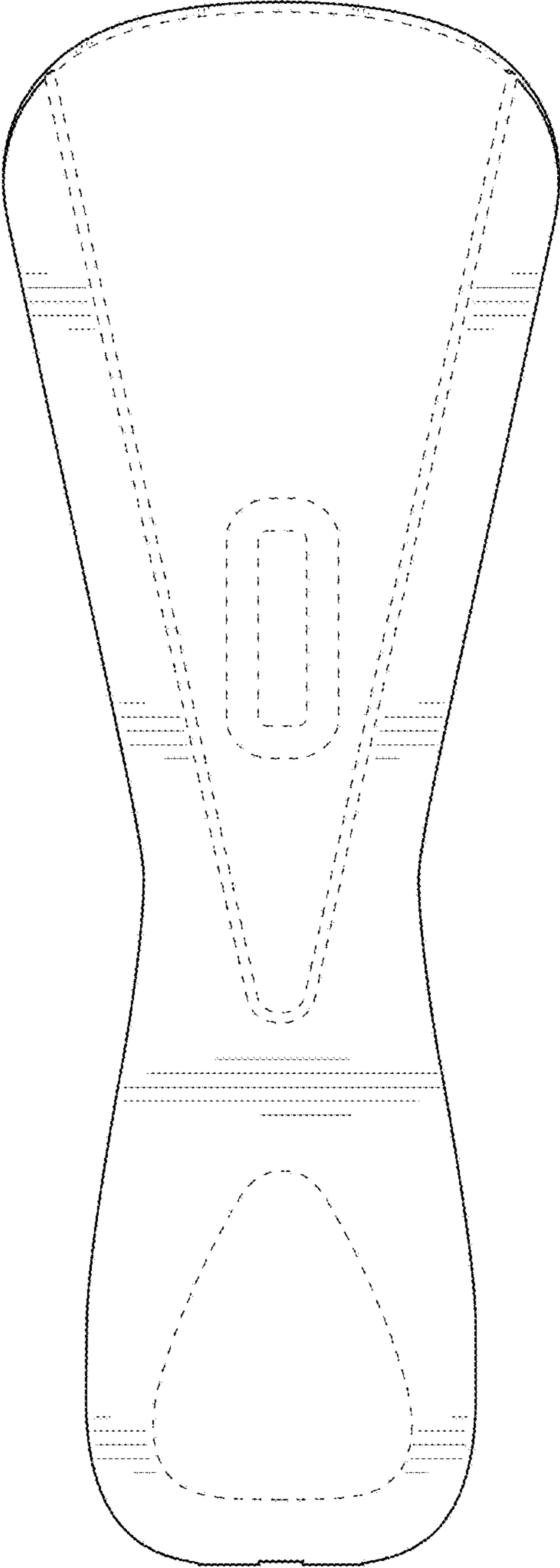


FIG. 3

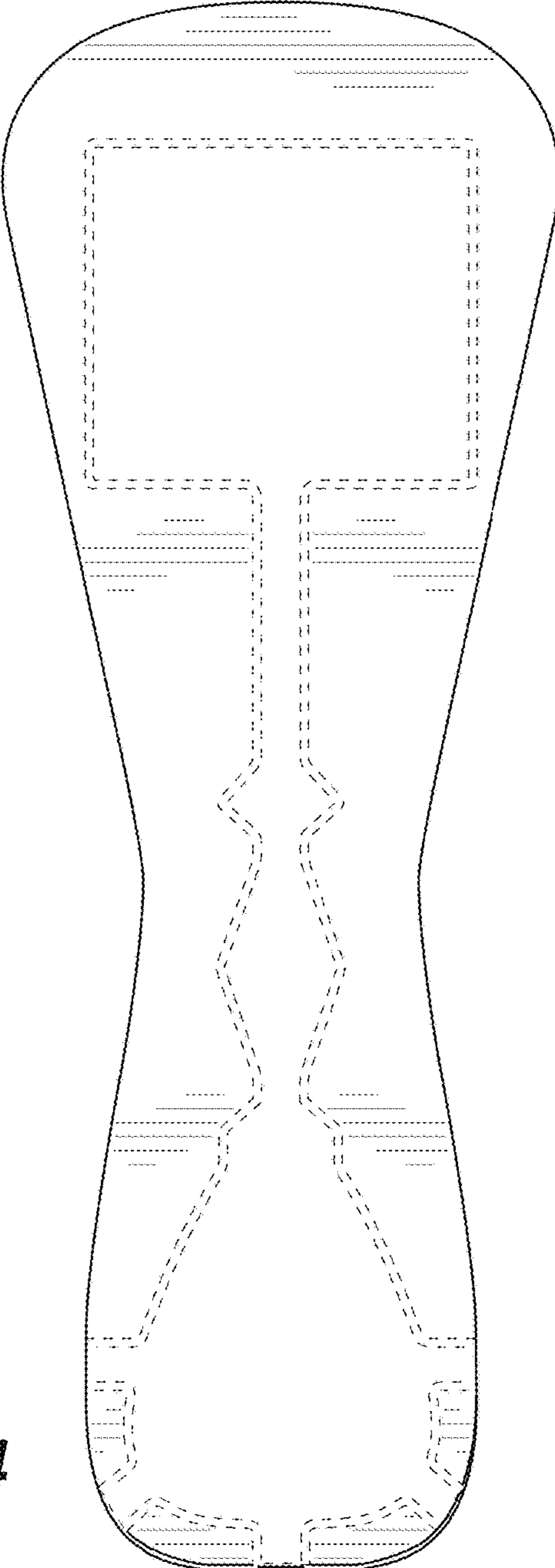


FIG. 4

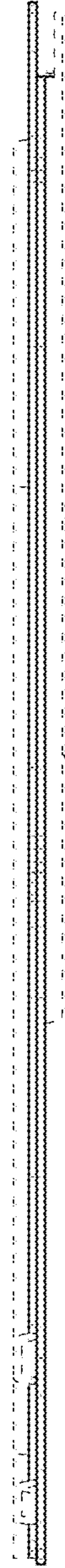


FIG. 5

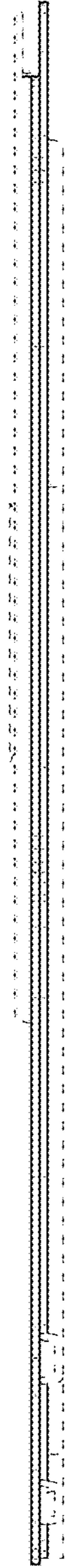


FIG. 6

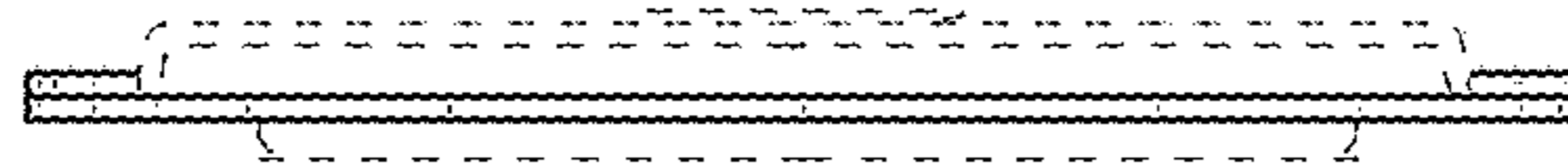


FIG. 7

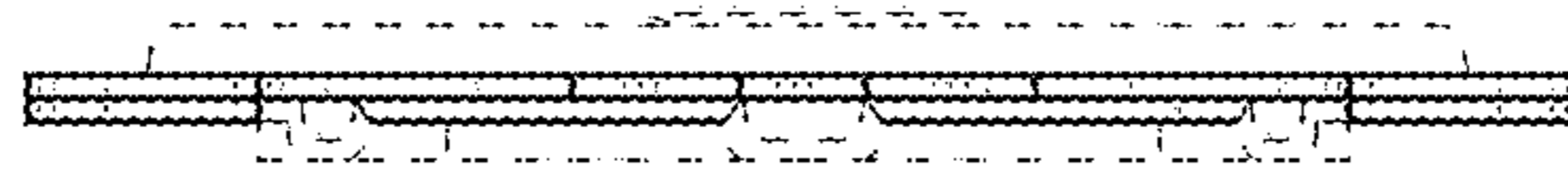


FIG. 8