



US00D859683S

(12) **United States Design Patent** (10) **Patent No.:** **US D859,683 S**
Harding et al. (45) **Date of Patent:** **** Sep. 10, 2019**

(54) **COLLECTION DEVICE**
(71) Applicant: **Becton, Dickinson and Company,**
Franklin Lakes, NJ (US)
(72) Inventors: **Weston F. Harding,** Lehi, UT (US);
Austin Jason Mckinnon, Herriman, UT
(US); **Matthew Oshinski,** Flanders, NJ
(US)

D559,397 S * 1/2008 Eriksson D24/224
D560,281 S * 1/2008 Kozak D24/216
D574,507 S * 8/2008 Muir D24/224
D594,131 S * 6/2009 Nguyen D24/216
D640,795 S * 6/2011 Jackson D24/216
D743,046 S * 11/2015 Poll D24/224
D743,571 S * 11/2015 Jackson D24/216
2004/0018634 A1 1/2004 Hajizadeh et al.
2005/0106753 A1 5/2005 Wu et al.
2012/0264229 A1 10/2012 Wan

(73) Assignee: **Becton, Dickinson and Company,**
Franklin Lakes, NJ (US)
(**) Term: **15 Years**

FOREIGN PATENT DOCUMENTS

WO WO 2011/095599 8/2011
* cited by examiner

(21) Appl. No.: **29/618,544**
(22) Filed: **Sep. 21, 2017**
(51) **LOC (12) Cl.** **24-01**
(52) **U.S. Cl.**
USPC **D24/216; D24/224**
(58) **Field of Classification Search**
USPC D24/216, 223-233, 186, 107, 121;
D10/81
CPC B01L 3/50; B01L 3/5021; B01L 3/5082;
B01L 3/50825; B01L 3/523; B04B
5/0414; C12M 1/16; A61B 10/0096
See application file for complete search history.

Primary Examiner — Anhdao Doan
(74) *Attorney, Agent, or Firm* — Knobbe Martens Olson
& Bear LLP

(57) **CLAIM**

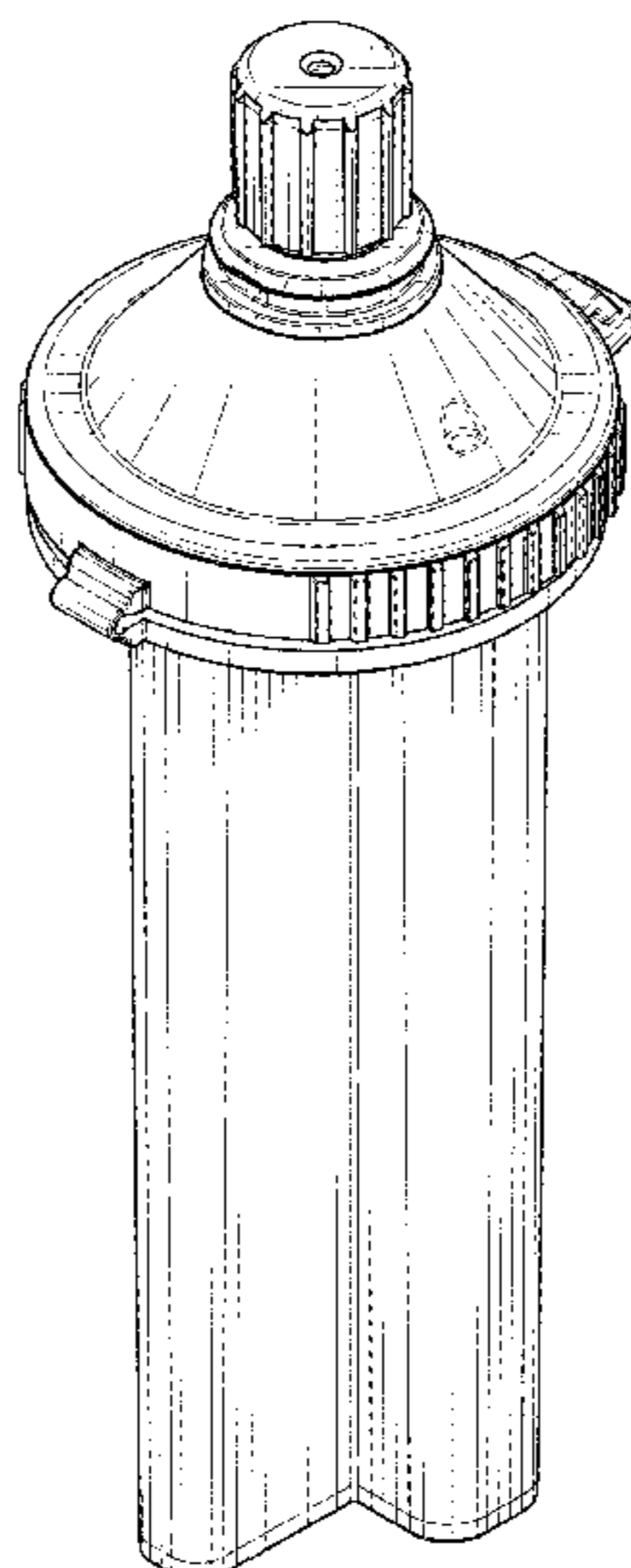
The ornamental design for a collection device, as shown and described.

DESCRIPTION

FIG. 1 is a top, left, and front perspective view of an embodiment of a collection device, showing our new design; FIG. 2 is a top, right, and front perspective view thereof; FIG. 3 is a front elevation view thereof; FIG. 4 is a back elevation view thereof; FIG. 5 is a left side elevation view thereof; FIG. 6 is a right side elevation view thereof; FIG. 7 is a top plan view thereof; FIG. 8 is a bottom plan view thereof; FIG. 9 is a bottom, left, and front perspective view thereof; and, FIG. 10 is a bottom, right, and front perspective view thereof. The broken lines illustrate portions of the collection device which form no part of the claimed design.

(56) **References Cited**
U.S. PATENT DOCUMENTS
D229,689 S * 12/1973 Dragotta D24/224
4,278,437 A * 7/1981 Haggar B01L 3/5082
356/246
5,422,273 A * 6/1995 Garrison A61B 10/0291
422/547
D383,851 S * 9/1997 Wong D24/224
D425,625 S * 5/2000 Niermann D24/224
D438,979 S * 3/2001 Gomes D24/216
D520,643 S * 5/2006 Clarke D24/216
7,114,403 B2 10/2006 Wu et al.
D558,357 S * 12/2007 Byrd D24/224

1 Claim, 8 Drawing Sheets



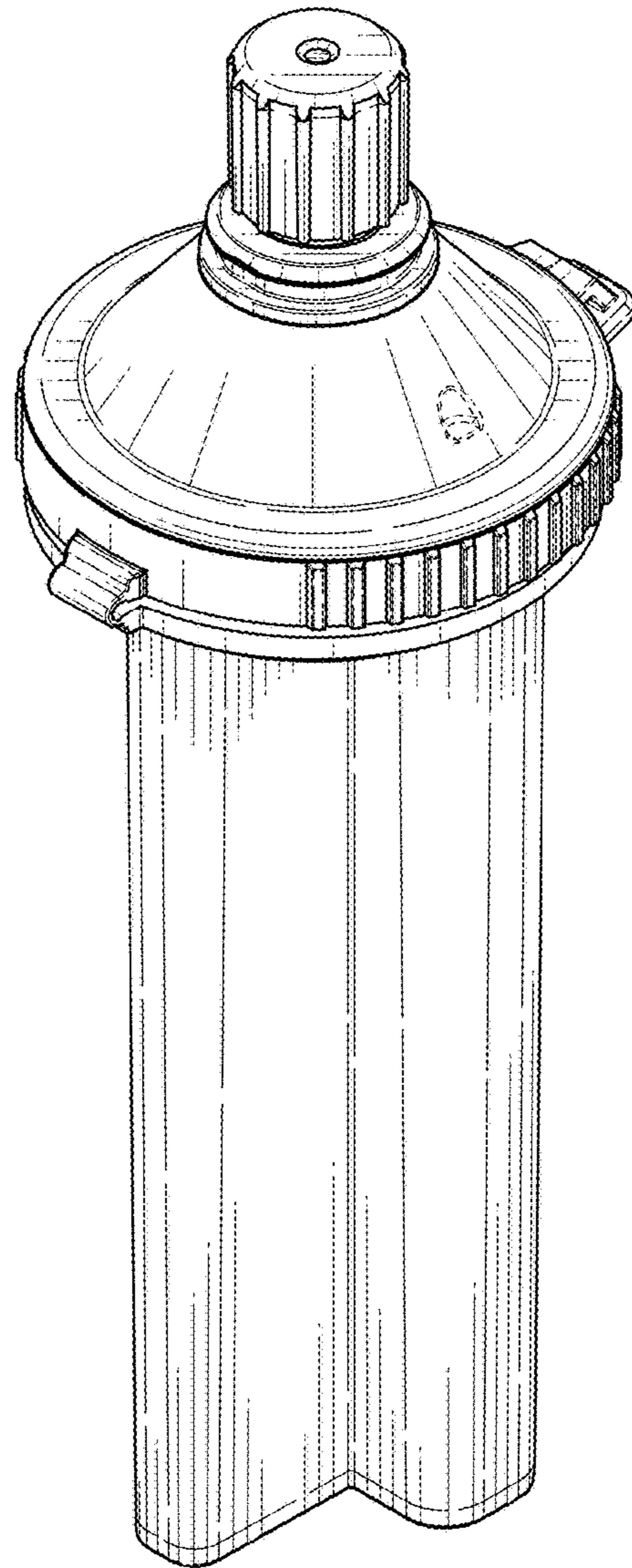


FIG. 1

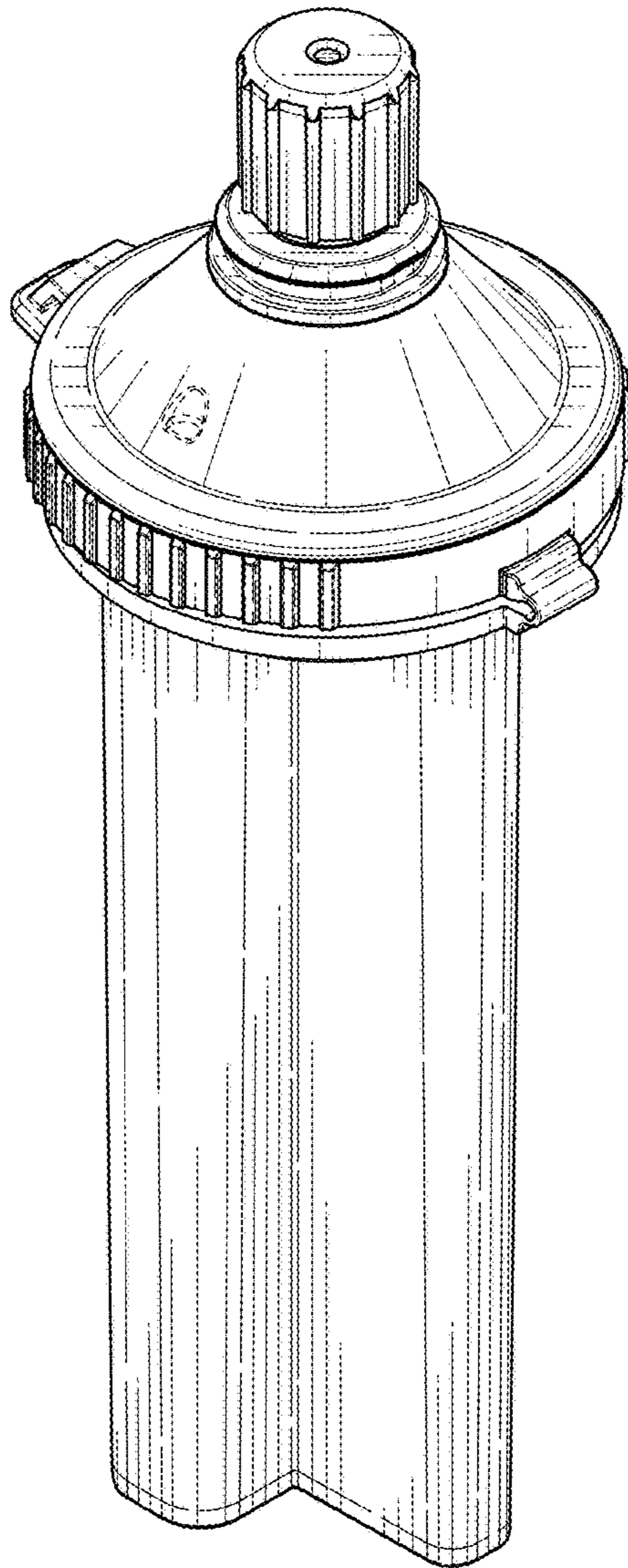


FIG. 2

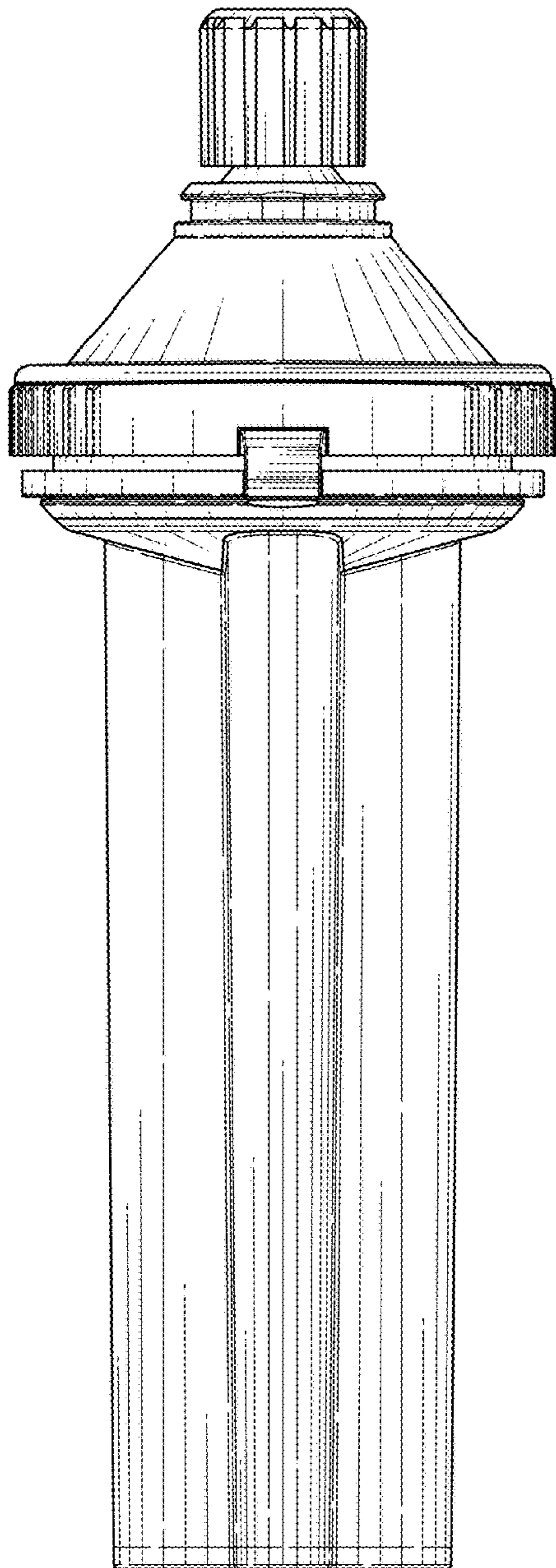


FIG. 3

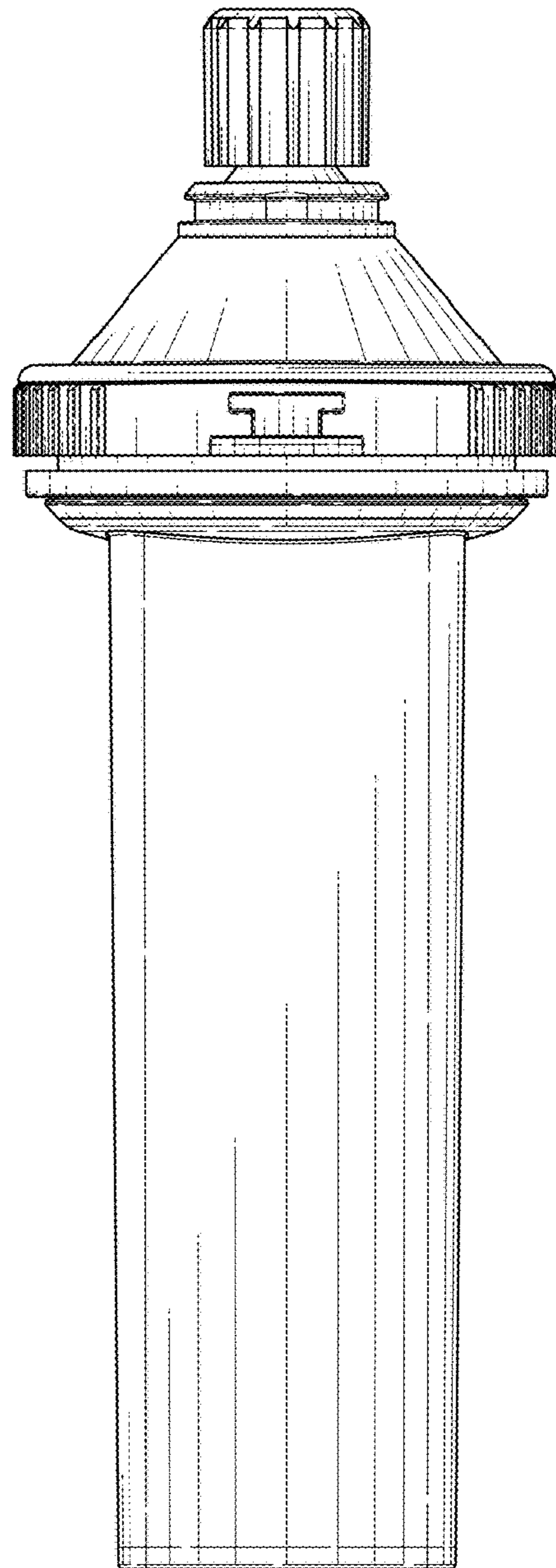


FIG. 4

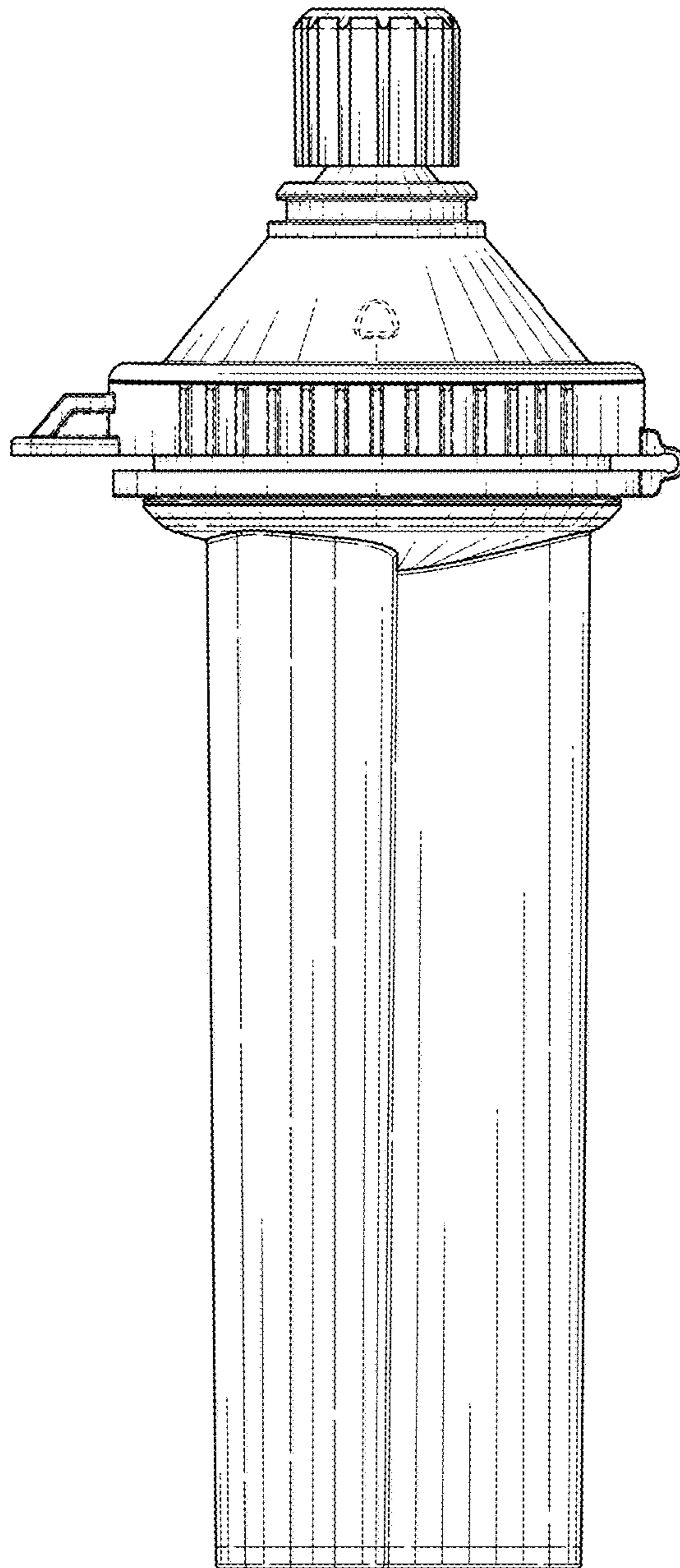


FIG. 5

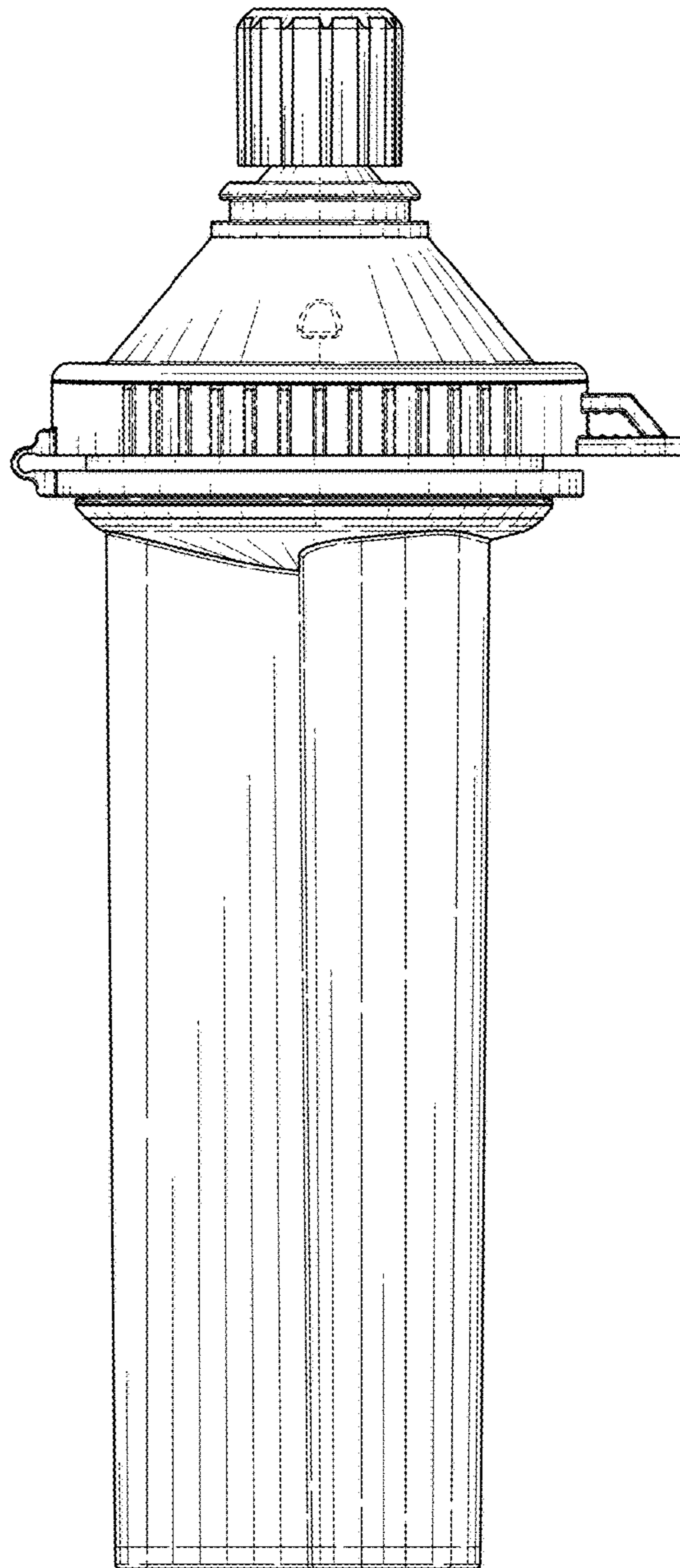


FIG. 6

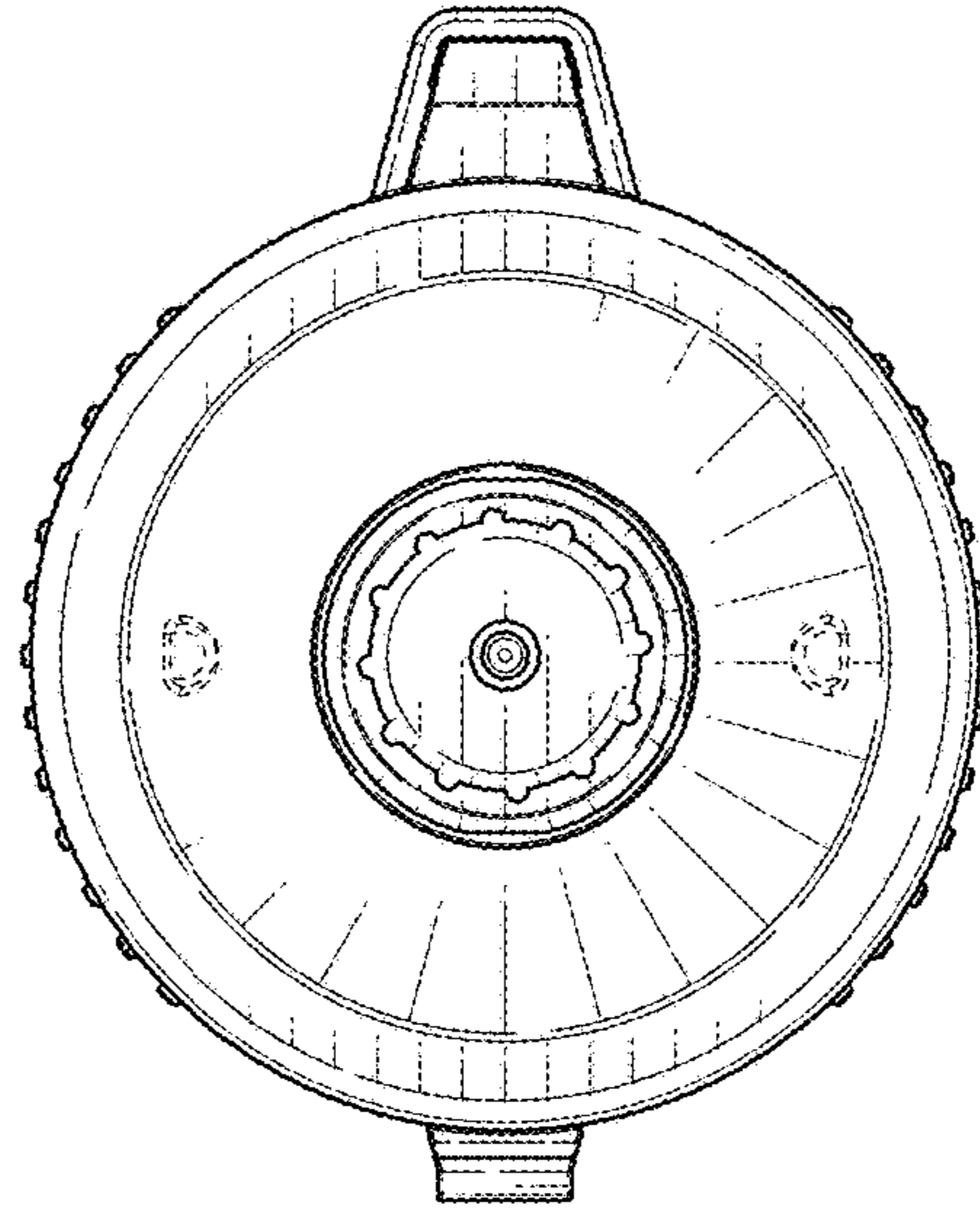


FIG. 7

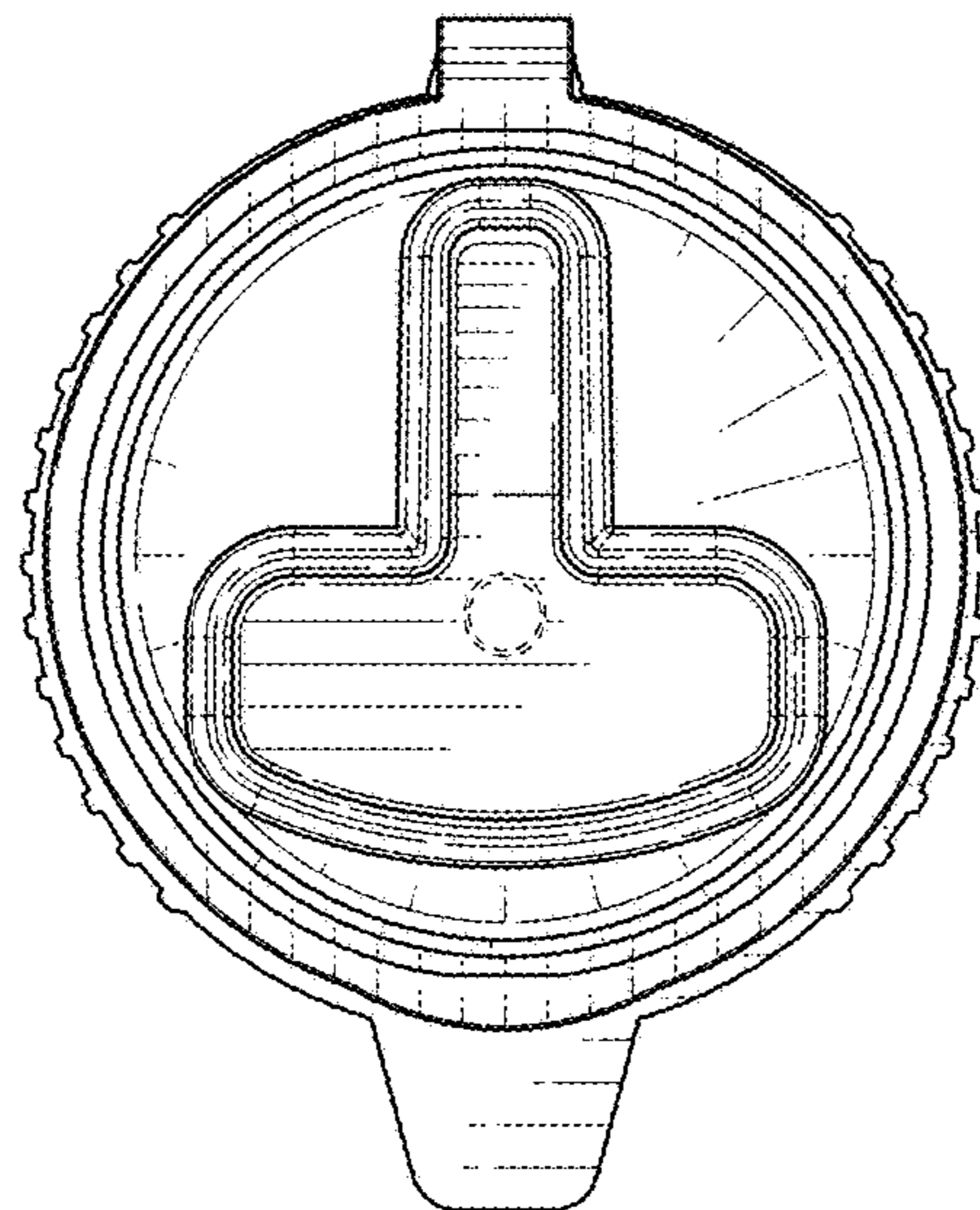


FIG. 8

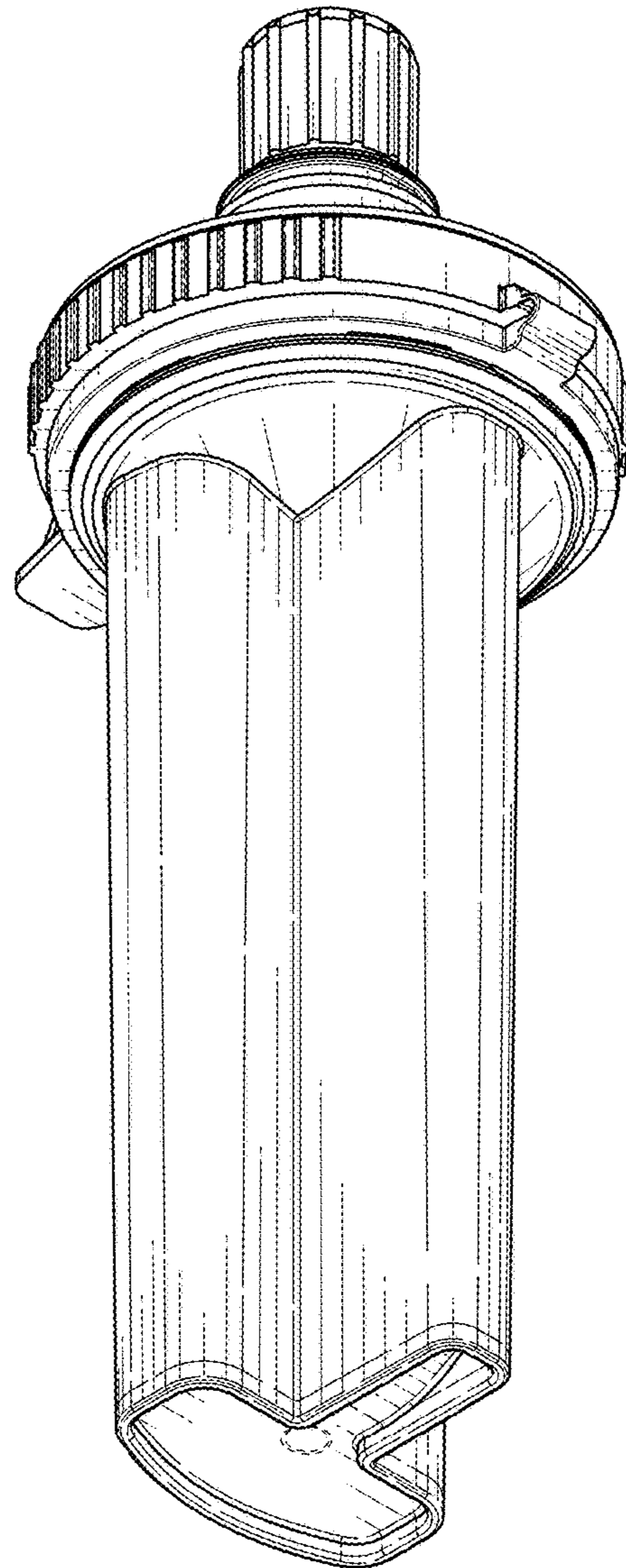


FIG. 9

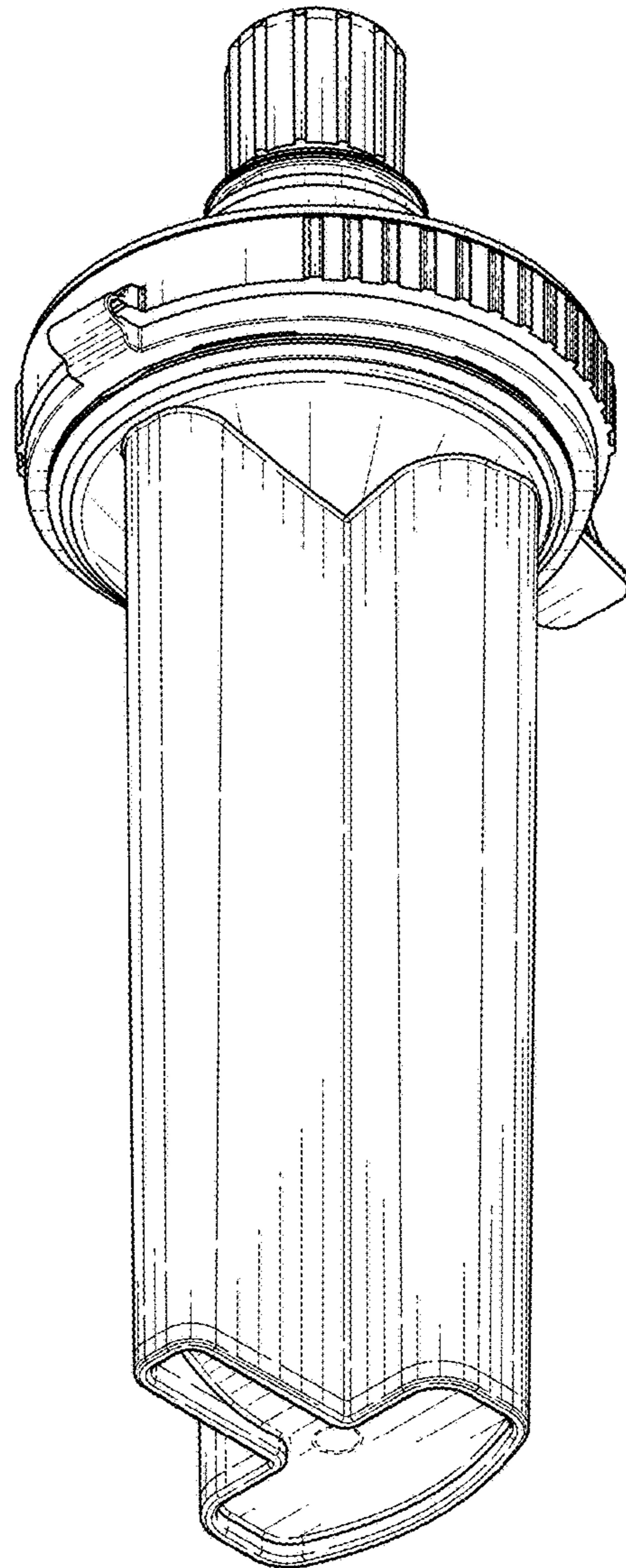


FIG. 10