



US00D859682S

(12) **United States Design Patent**  
**Topolev**

(10) **Patent No.:** **US D859,682 S**

(45) **Date of Patent:** **\*\* Sep. 10, 2019**

(54) **MASSAGING DEVICE**

(71) Applicant: **Sergei E. Topolev**, St Petersburg (RU)

(72) Inventor: **Sergei E. Topolev**, St Petersburg (RU)

(\*\*) Term: **15 Years**

(21) Appl. No.: **29/611,528**

(22) Filed: **Jul. 21, 2017**

**Related U.S. Application Data**

(63) Continuation-in-part of application No. 29/592,169, filed on Jan. 27, 2017.

(30) **Foreign Application Priority Data**

Jan. 27, 2017 (RU) ..... 2017500410

(51) **LOC (12) Cl.** ..... **28-03**

(52) **U.S. Cl.**  
USPC ..... **D24/215**

(58) **Field of Classification Search**  
USPC .. 601/15, 18, 19, 27, 28-32, 46, 47, 48, 52, 601/99, 112, 113, 118, 135, 137, DIG. 12, 601/DIG. 14, DIG. 15, DIG. 16, DIG. 17; D24/200, 211, 212, 213, 214, 215; D30/160; 600/38, 39  
CPC ..... A61H 19/34; A61H 19/40; A61H 19/44; A61H 19/50  
See application file for complete search history.

(56) **References Cited**

**U.S. PATENT DOCUMENTS**

D447,809 S \* 9/2001 Gladieux, III ..... D24/211  
D574,504 S \* 8/2008 Imboden ..... D24/215  
D603,052 S \* 10/2009 Bauer ..... D24/214  
D604,425 S \* 11/2009 Stewart ..... D24/214  
D605,779 S \* 12/2009 Murison ..... D24/215  
D606,208 S \* 12/2009 Nan ..... D24/215

D613,417 S \* 4/2010 Imboden ..... D24/215  
D637,308 S \* 5/2011 Imboden ..... D24/215  
D652,942 S \* 1/2012 Murison ..... D24/215  
D665,092 S \* 8/2012 Sedic ..... D24/215  
D665,094 S \* 8/2012 Sedic ..... D24/215  
D666,734 S \* 9/2012 Takashima ..... D24/215  
D698,456 S \* 1/2014 Zedaker ..... D24/215  
D700,347 S \* 2/2014 Sedic ..... D24/215

(Continued)

*Primary Examiner* — Cynthia Ramirez

*Assistant Examiner* — Michael A Maharajh

(74) *Attorney, Agent, or Firm* — Arent Fox LLP; Michael Fainberg

(57) **CLAIM**

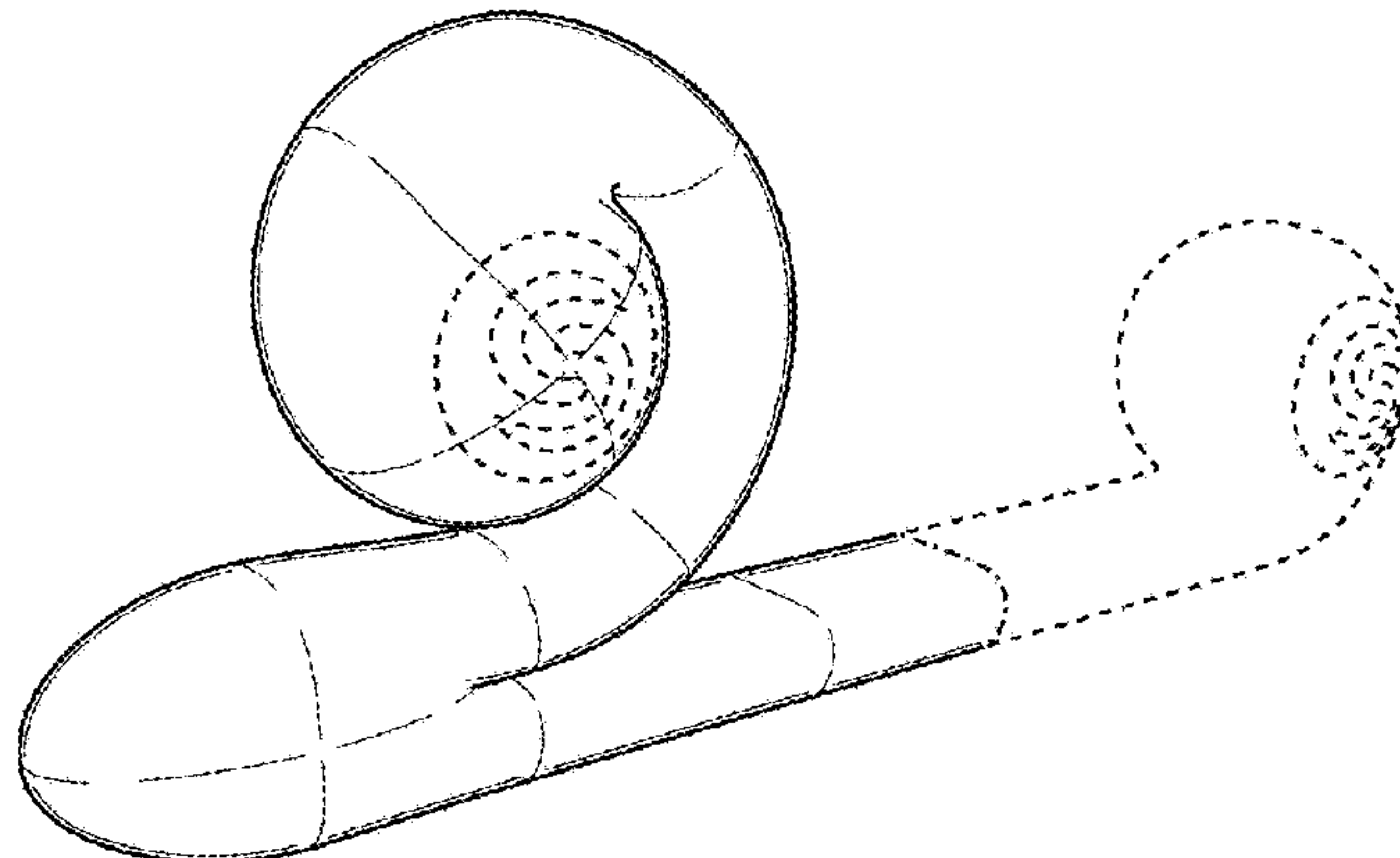
The ornamental design for a massaging device, as shown and described.

**DESCRIPTION**

FIG. 1 is a perspective view showing a first embodiment of the massaging device of my new design; FIG. 2 is a right-side view thereof; FIG. 3 is a left-side view thereof; FIG. 4 is a top view thereof; FIG. 5 is a bottom view thereof; FIG. 6 is a front view thereof; FIG. 7 is a back view thereof; FIG. 8 is another perspective view showing a second embodiment of the massaging device; FIG. 9 is a right-side view thereof; FIG. 10 is a left-side view thereof; FIG. 11 is a top view thereof; FIG. 12 is a bottom view thereof; FIG. 13 is a front view thereof; and, FIG. 14 is a back view thereof.

The dash broken lines shown in the drawings are for purpose of illustrating environmental structure, which form no part of the claimed design. The dot-dashed lines are directed to boundary lines, which form no part of the claimed design.

**1 Claim, 14 Drawing Sheets**



(56)

**References Cited**

U.S. PATENT DOCUMENTS

D702,363	S *	4/2014	Tai	.....	D24/215
D712,054	S *	8/2014	Tai	.....	A61H 19/40
					D24/215
D712,059	S *	8/2014	Sedic	.....	D24/215
D714,953	S *	10/2014	Marshall	.....	D24/215
D723,179	S *	2/2015	Elliott	.....	D24/215
D727,524	S *	4/2015	Qian	.....	D24/215
D727,525	S *	4/2015	Qian	.....	D24/215
9,022,925	B2 *	5/2015	Nan	.....	A61H 19/34
					600/38
D743,570	S *	11/2015	Cheung	.....	D24/215
D758,604	S *	6/2016	Brinberg	.....	D24/215
9,474,681	B2 *	10/2016	Sedic	.....	A61H 19/50
D771,828	S *	11/2016	Sedic	.....	D24/215
D795,445	S *	8/2017	Marshall	.....	D24/215
D795,446	S *	8/2017	Marshall	.....	D24/215
D802,783	S *	11/2017	Marshall	.....	D24/215
D818,142	S *	5/2018	Cheung	.....	D24/215
D818,143	S *	5/2018	Cheung	.....	D24/215
D818,144	S *	5/2018	Cheung	.....	D24/215
D818,603	S *	5/2018	Marshall	.....	D24/215

\* cited by examiner

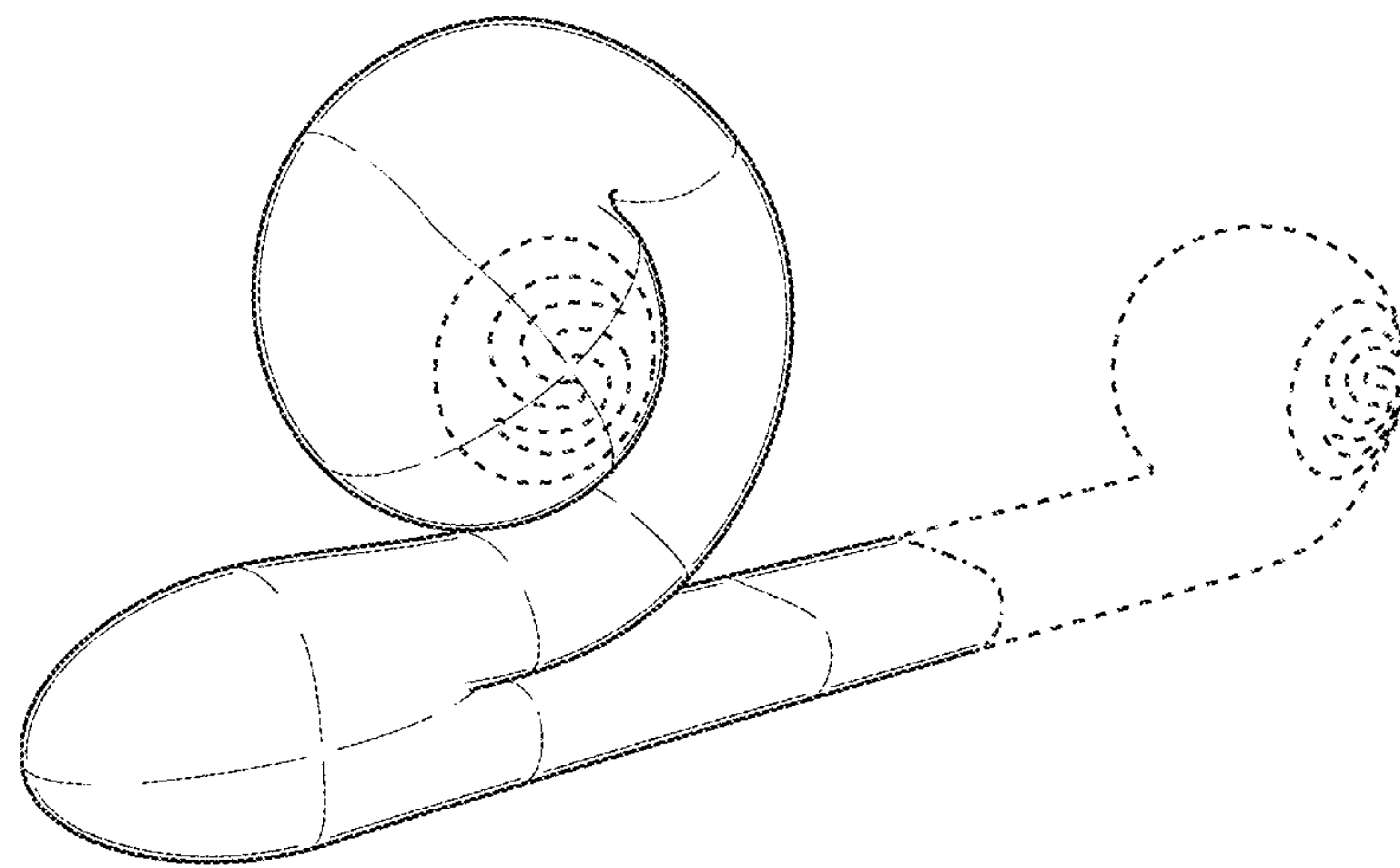


FIG.1

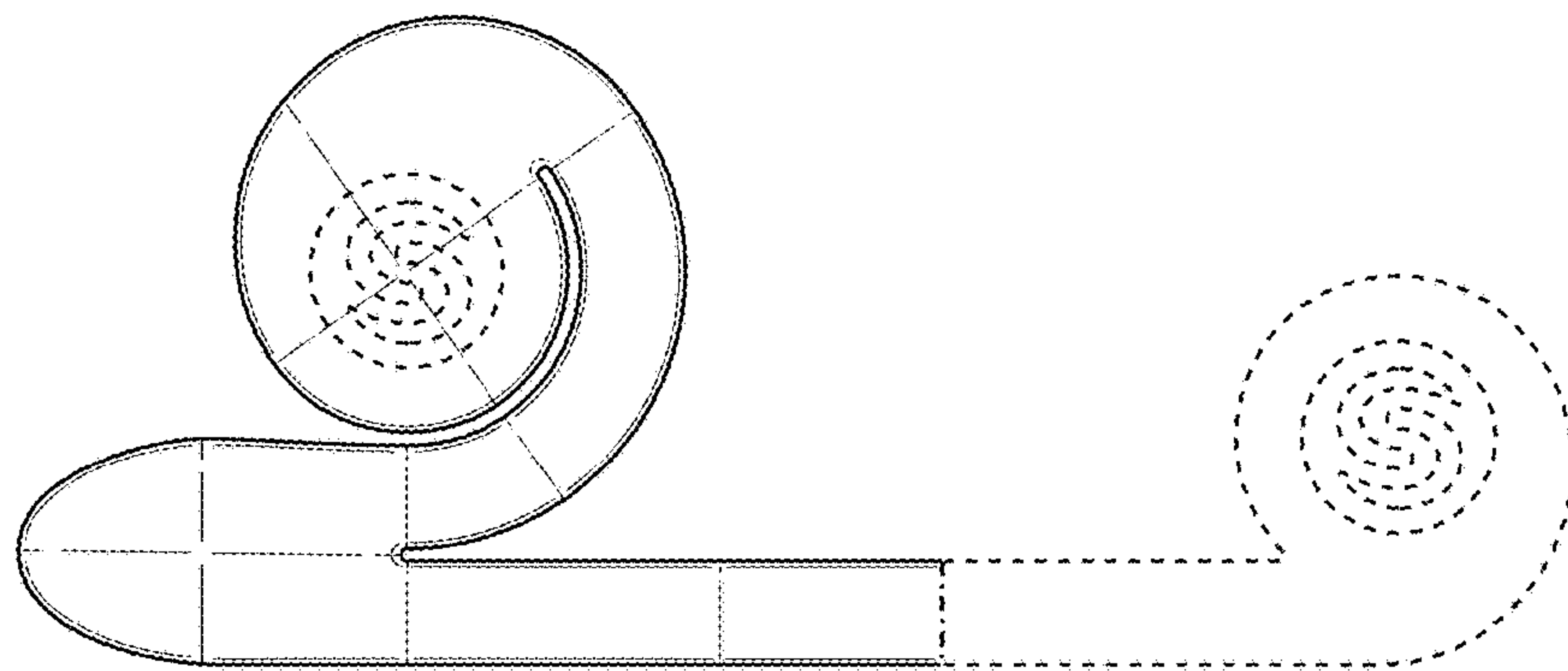


FIG.2

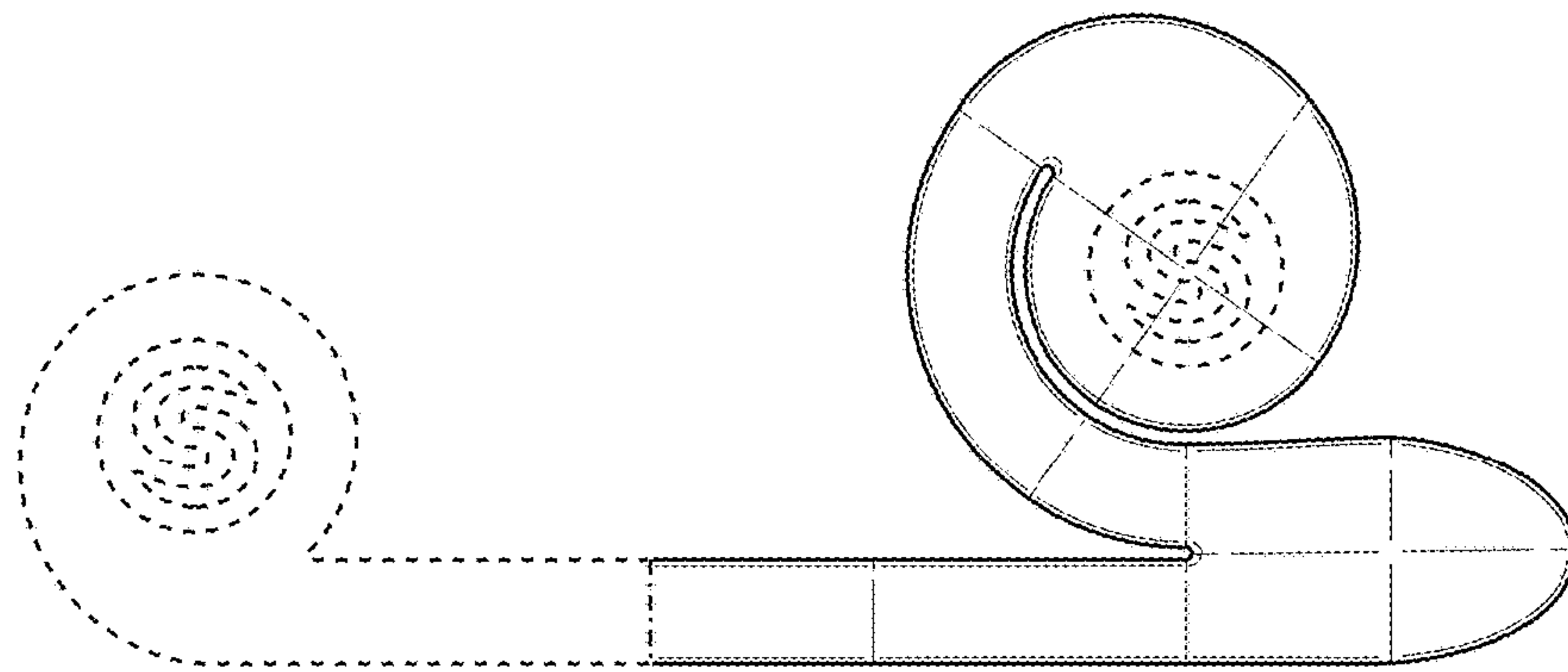


FIG.3

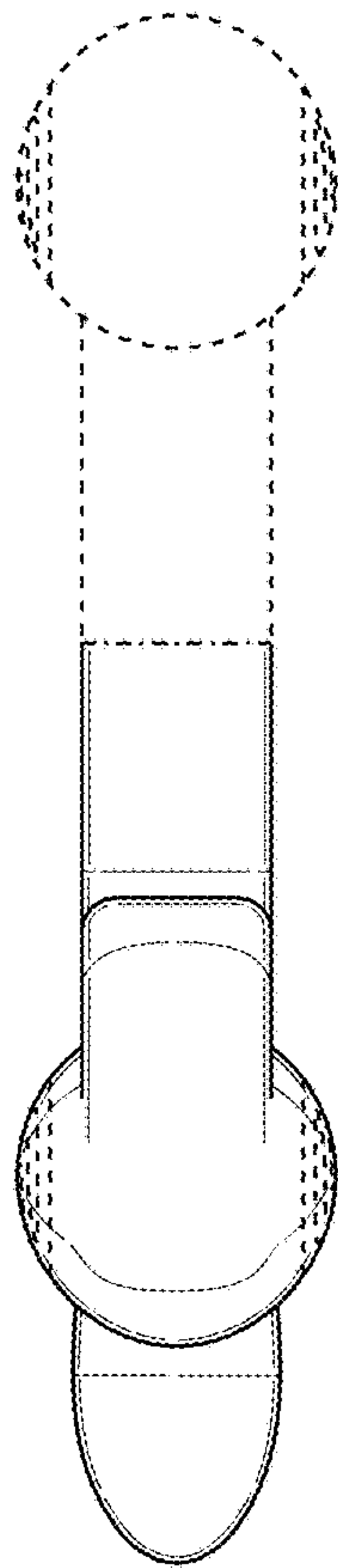


FIG.4

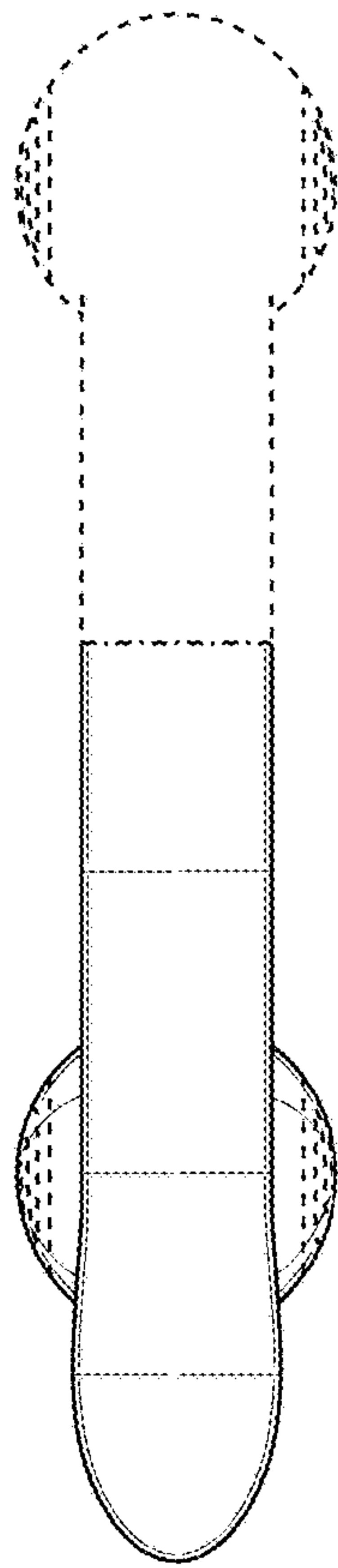


FIG. 5

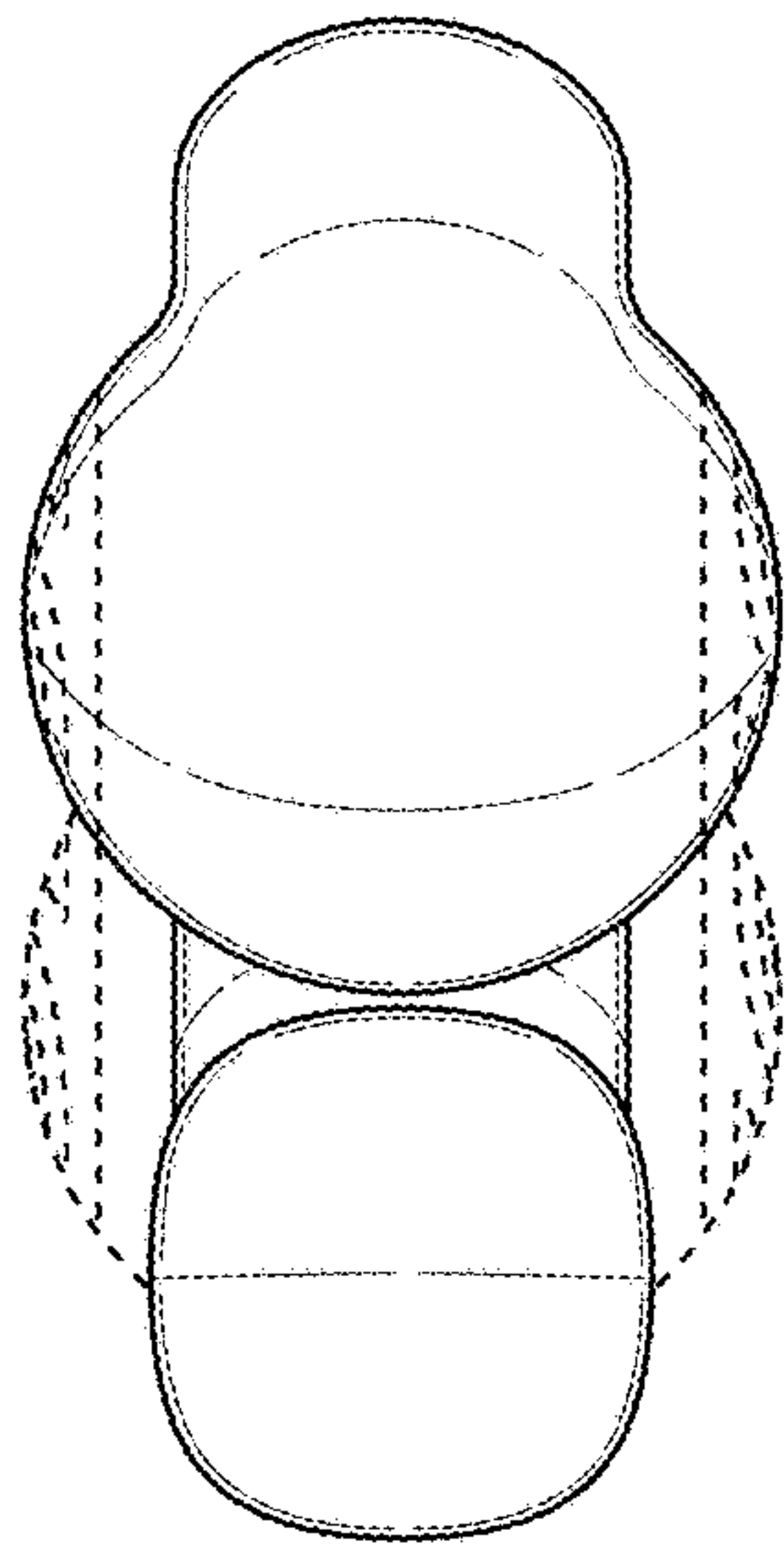


FIG.6



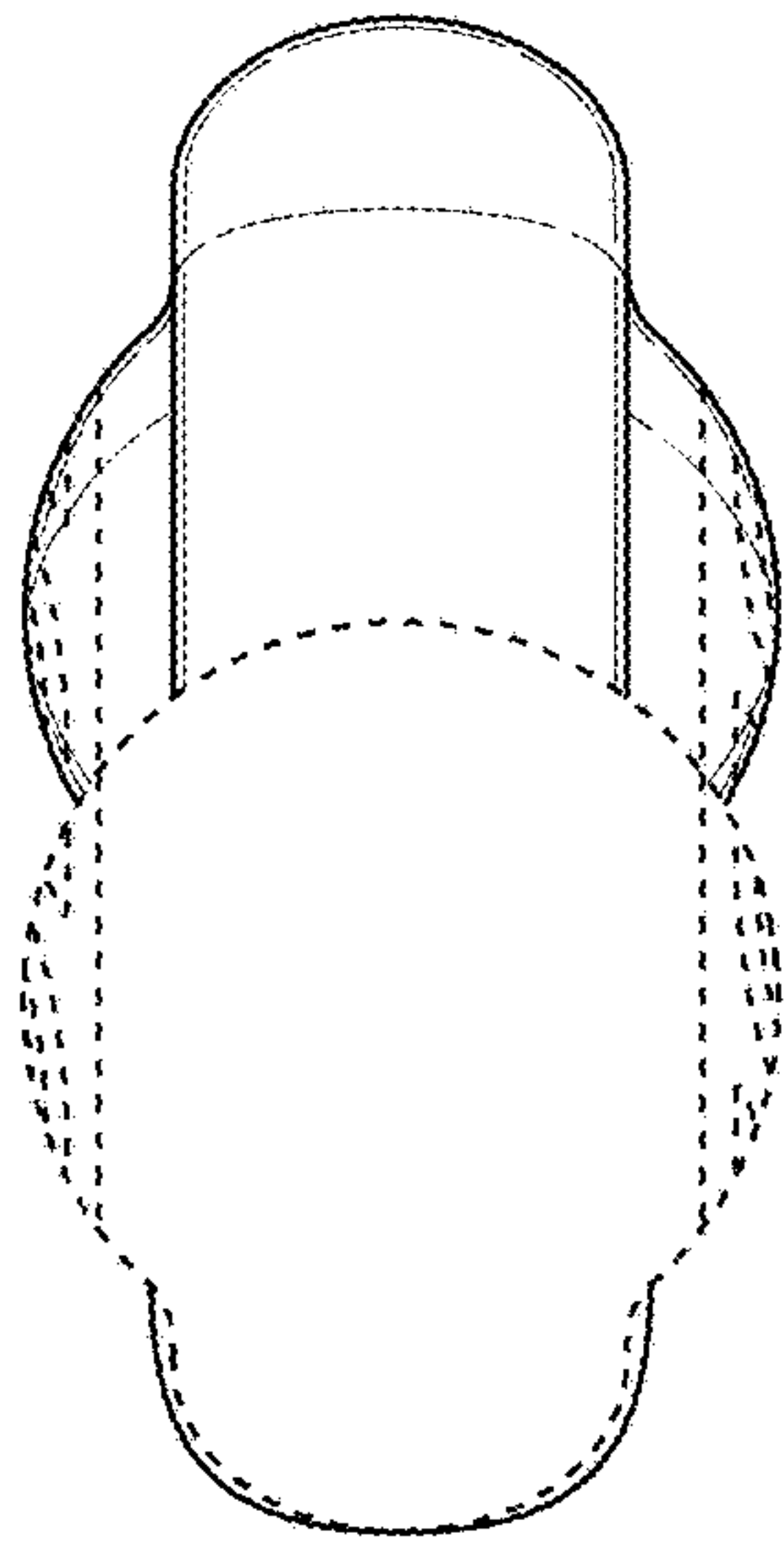


FIG.7

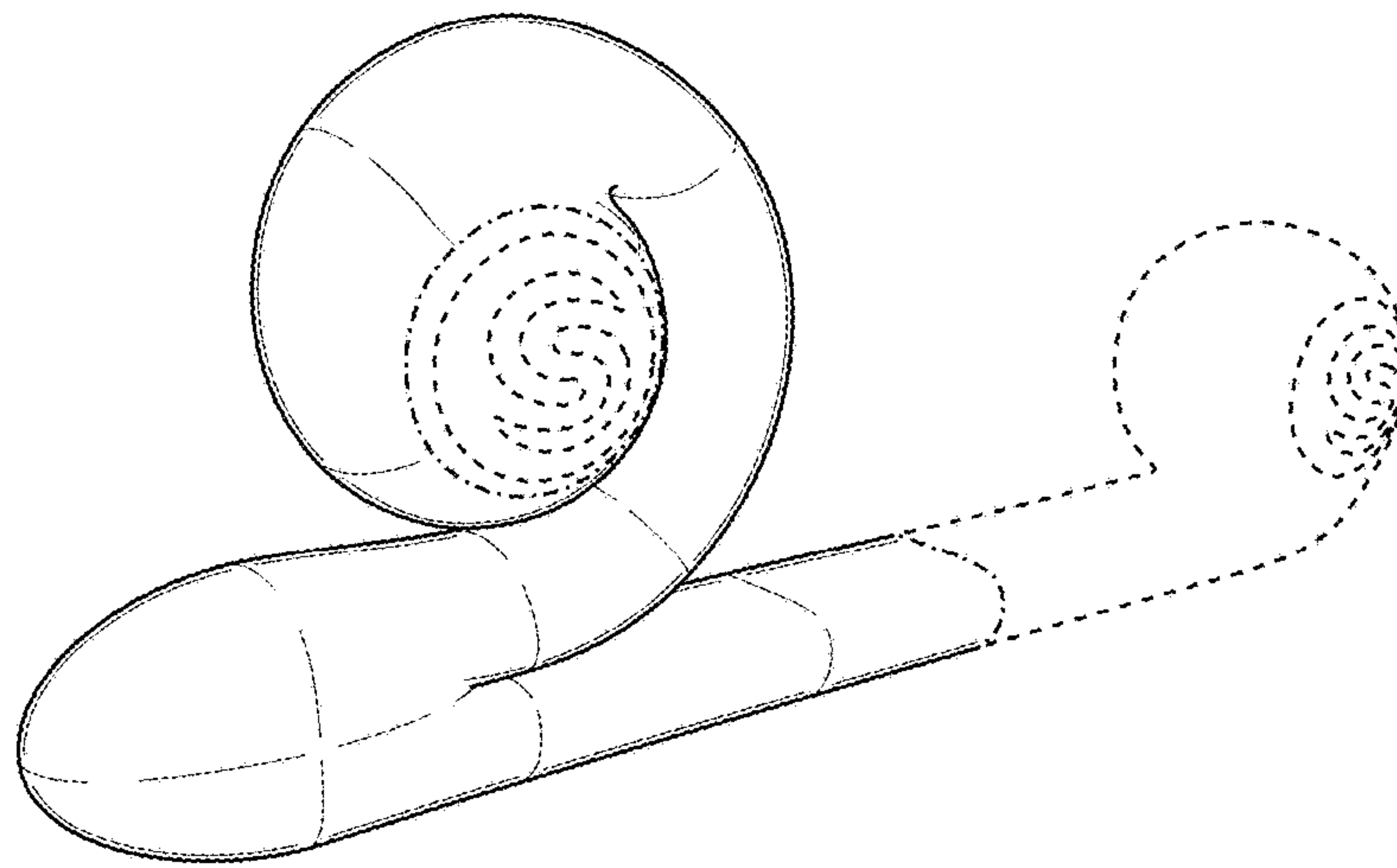


FIG. 8

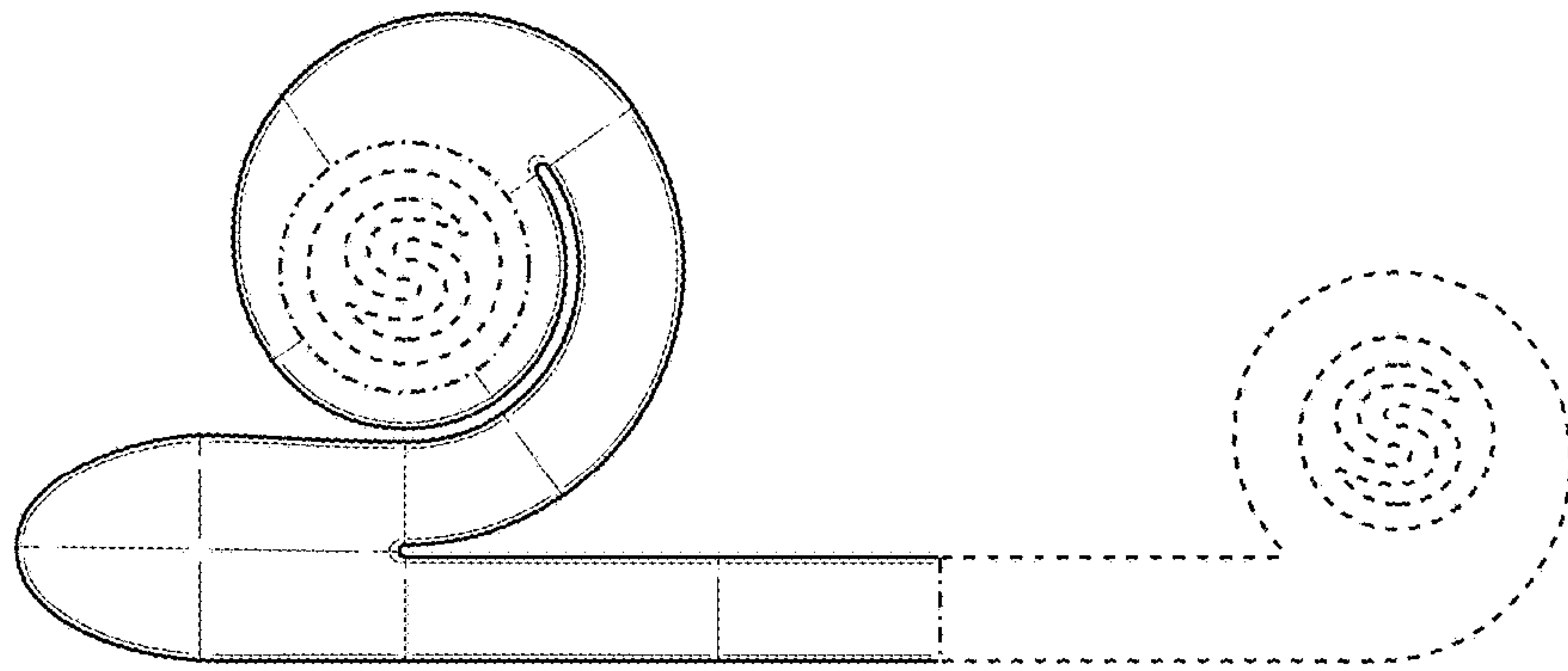


FIG.9

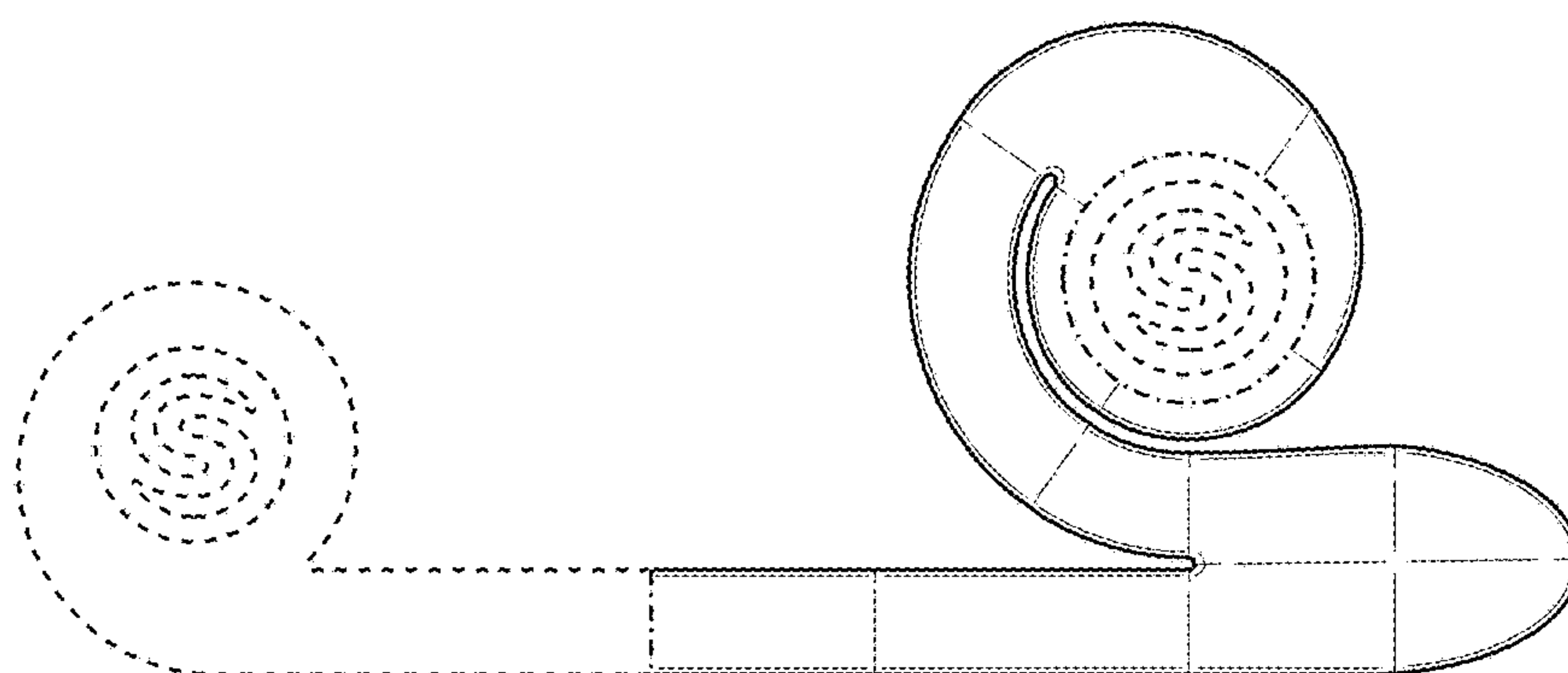


FIG.10

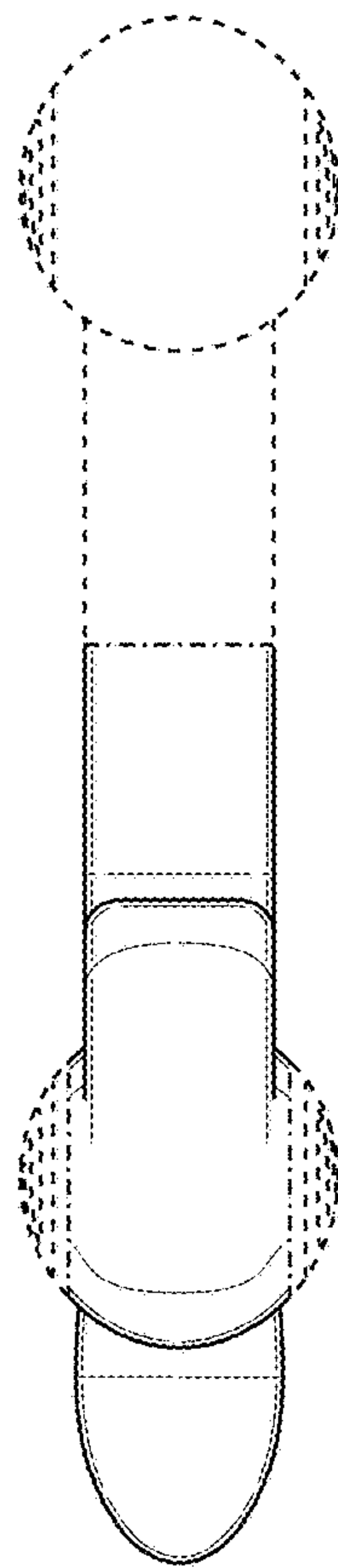


FIG.11

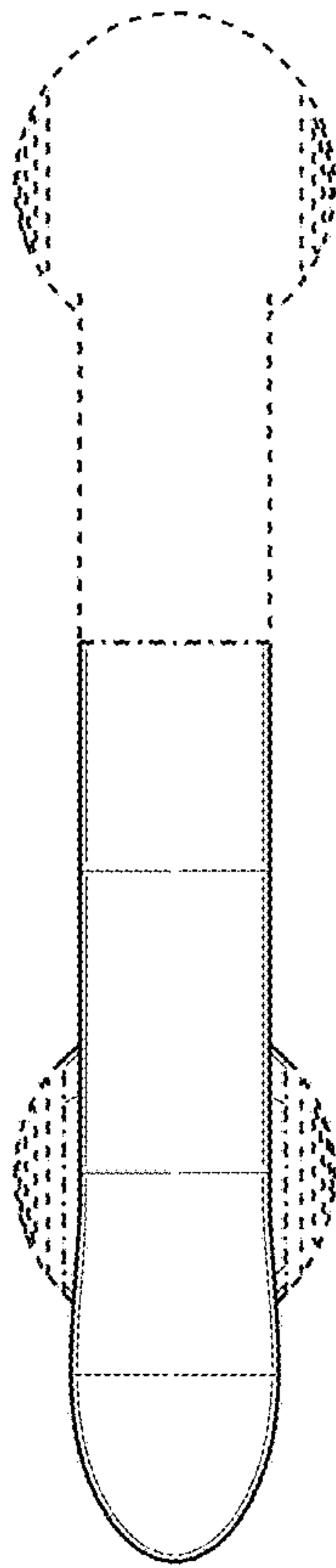


FIG.12

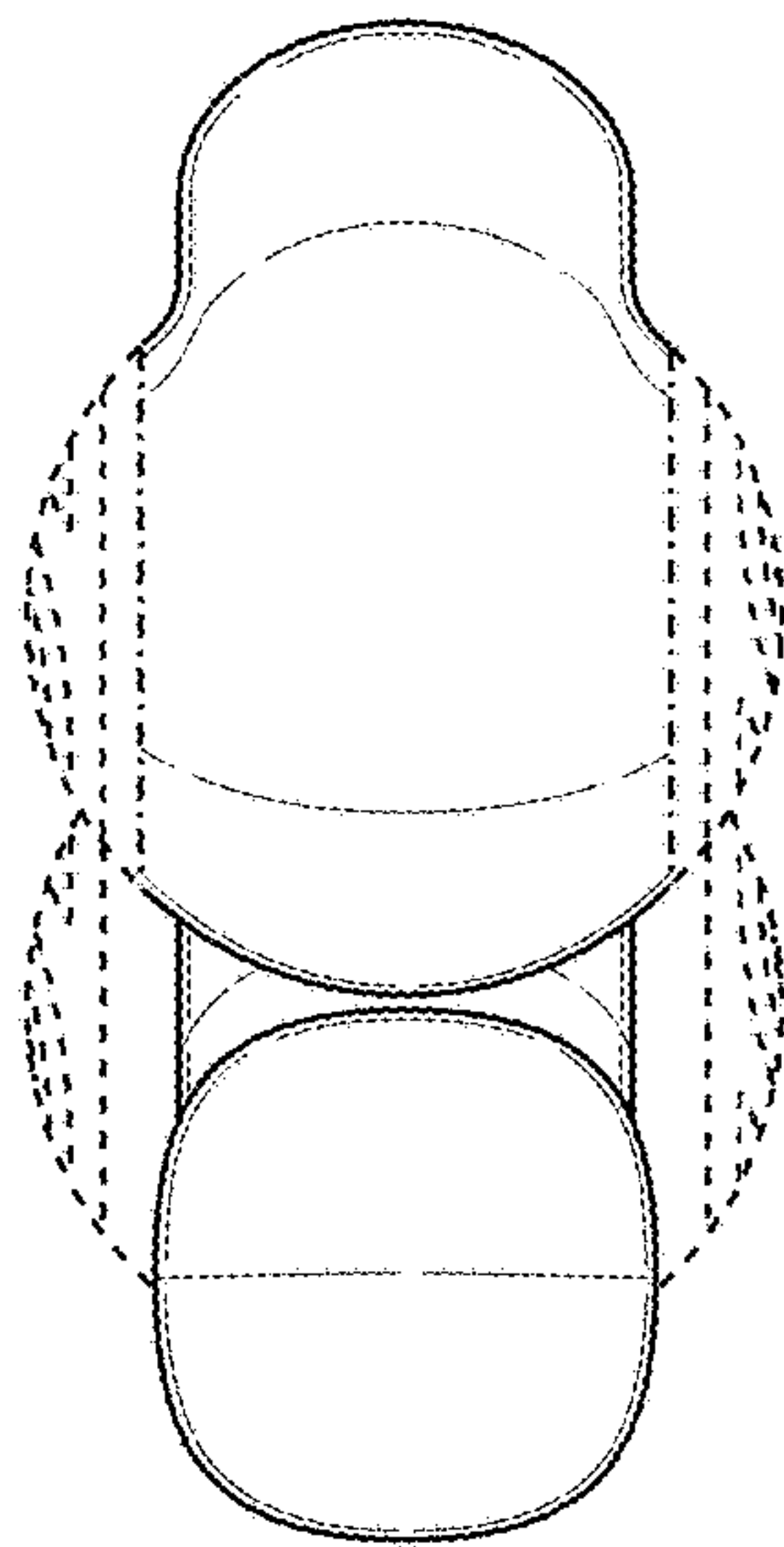


FIG.13

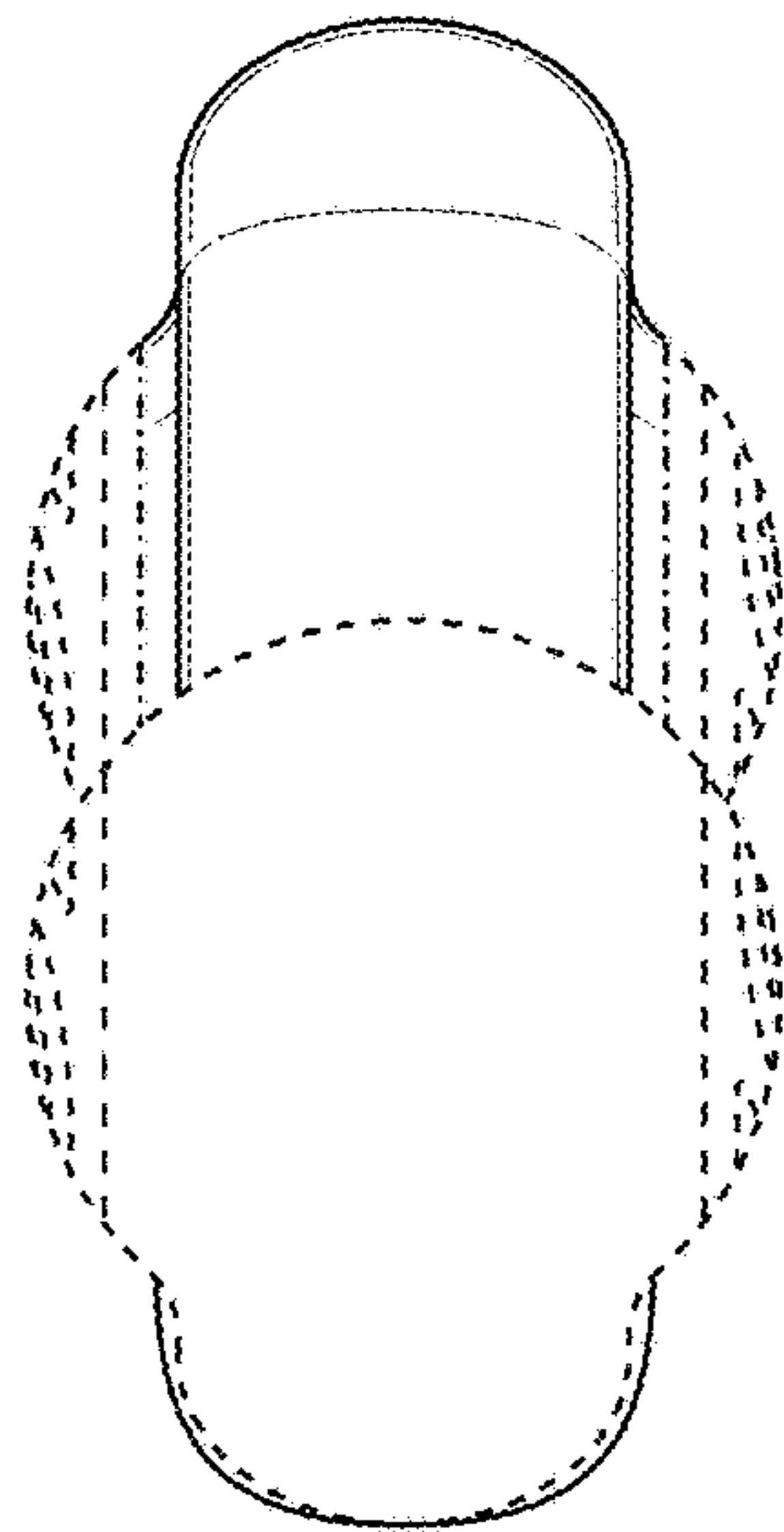


FIG.14