



US00D859681S

(12) **United States Design Patent** (10) **Patent No.:** **US D859,681 S**
Tang (45) **Date of Patent:** **** Sep. 10, 2019**

(54) **BLACKHEAD REMOVER**

(71) Applicant: **Hongtao Tang**, Guangdong (CN)

(72) Inventor: **Hongtao Tang**, Guangdong (CN)

(73) Assignee: **Shenzhen Maiyiwei Technology Co., Ltd.**, Shenzhen

(**) Term: **15 Years**

(21) Appl. No.: **29/648,620**

(22) Filed: **May 23, 2018**

(51) **LOC (12) Cl.** **28-03**

(52) **U.S. Cl.**
USPC **D24/214**

(58) **Field of Classification Search**

USPC D24/200, 211, 212, 213, 214, 215, 133,
D24/137, 150, 151, 157, 158; 601/19,
601/22, 46, 52, 63, 80, 99, 104, 110–114,
601/118–120, 125, 134, 151, 152,
601/DIG. 12, DIG. 14, DIG. 15, DIG. 16,
601/DIG. 17; D4/102
CPC A61H 1/00; A61H 1/001; A61H 1/0237;
A61H 2015/0007; A61H 2015/0014;
A61H 2015/0042; A61H 2015/0064;
A61H 15/00; A61H 2011/005; A61H
19/44; A61H 19/50; A61H 21/00; A61H
37/00

See application file for complete search history.

(56) **References Cited**

U.S. PATENT DOCUMENTS

D362,307 S *	9/1995	Cirone	D24/211
D484,606 S *	12/2003	Ahn	D24/200
D695,903 S *	12/2013	Tamsiran	D24/209
D738,516 S *	9/2015	Karim	D24/200
D795,423 S *	8/2017	Chen	D24/133
D825,073 S *	8/2018	Lenke	D24/215
D827,843 S *	9/2018	Bainton	D24/200

* cited by examiner

Primary Examiner — Sandra S Snapp

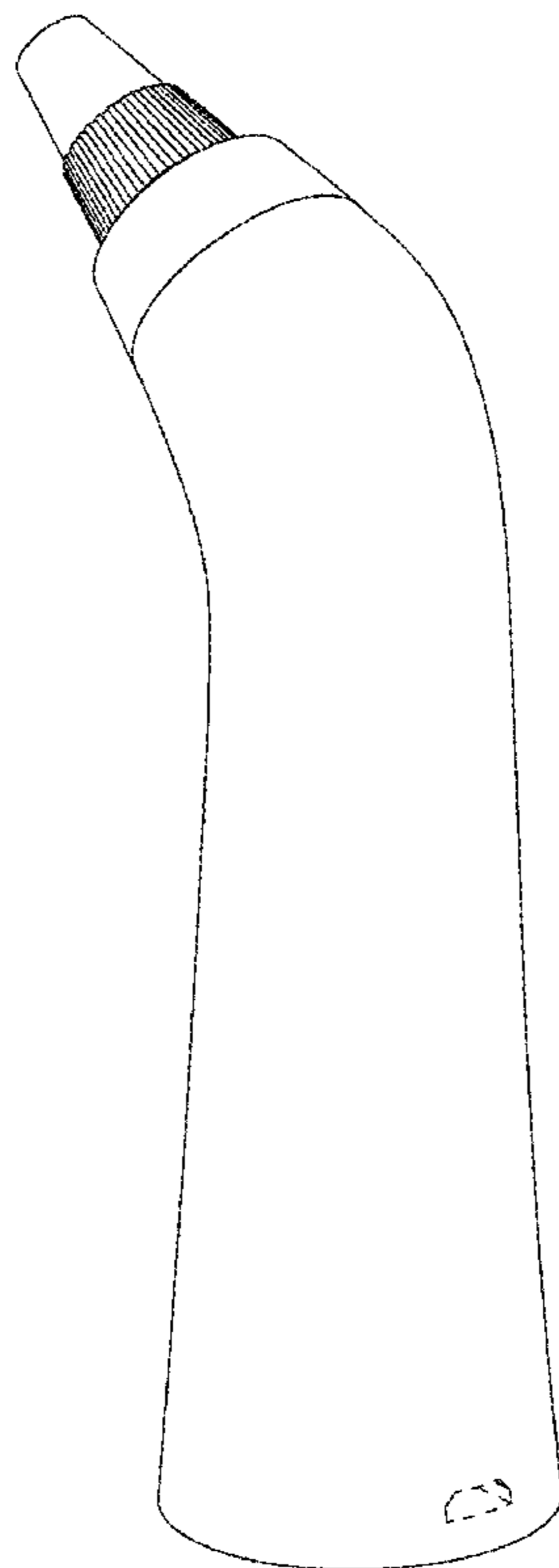
(57) **CLAIM**

The ornamental design for a blackhead remover, as shown and described.

DESCRIPTION

FIG. 1 is a perspective view of a blackhead remover showing my new design;
FIG. 2 is a front side view thereof;
FIG. 3 is a rear side view thereof;
FIG. 4 is a right side view thereof;
FIG. 5 is a left side view thereof;
FIG. 6 is a bottom plan view thereof; and,
FIG. 7 is a top plan view thereof.
All elements shown in broken lines in the drawings depict portions of the blackhead remover and form no part of the claimed design.

1 Claim, 7 Drawing Sheets



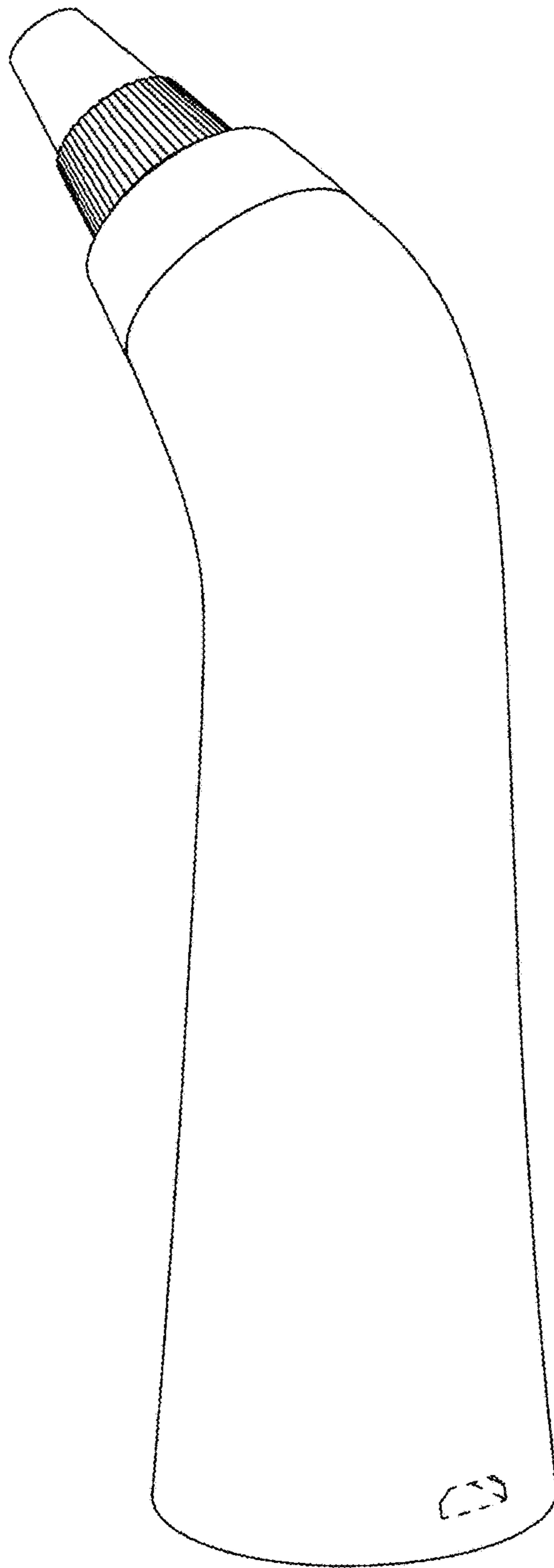


FIG. 1

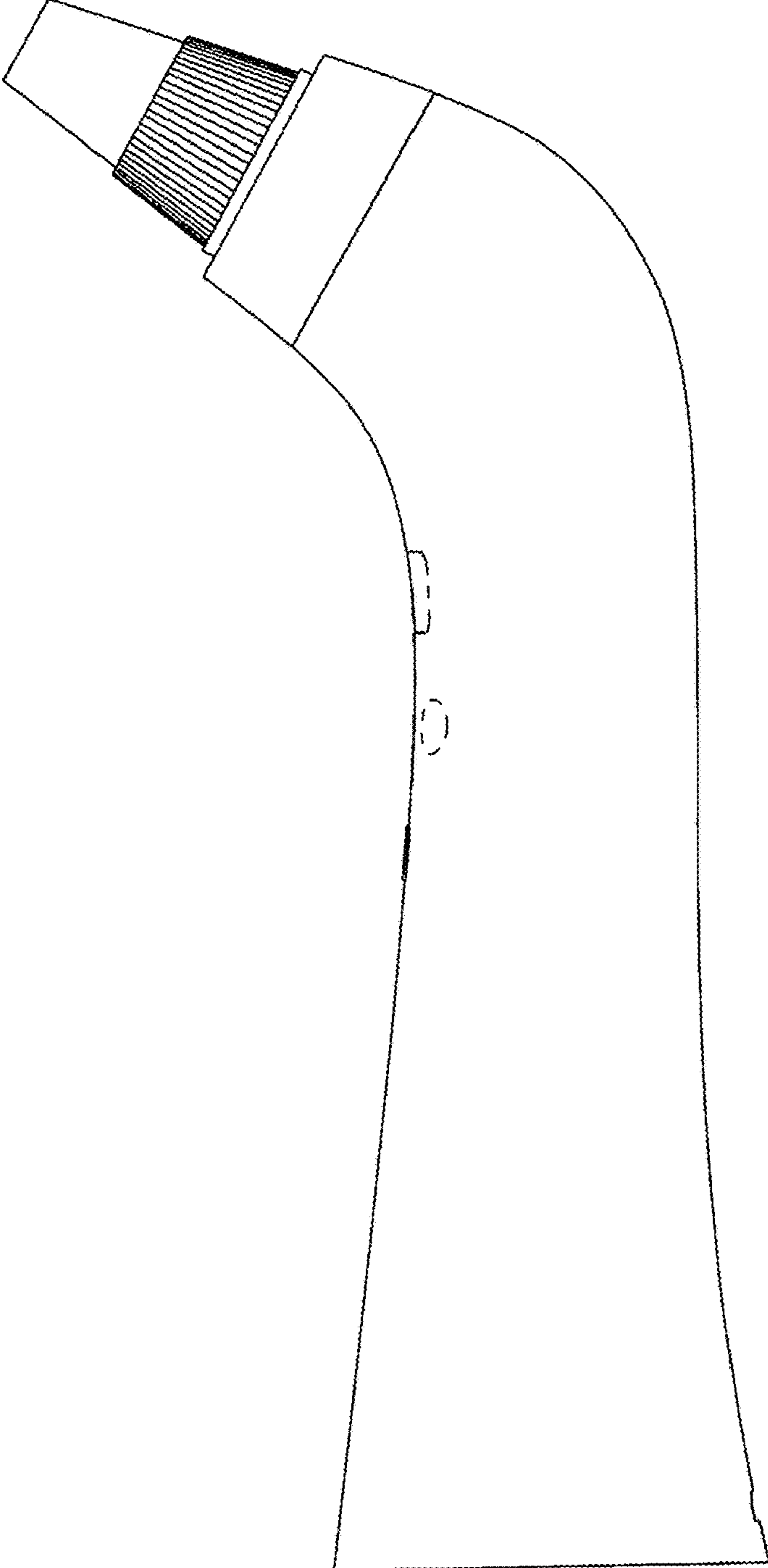


FIG. 2

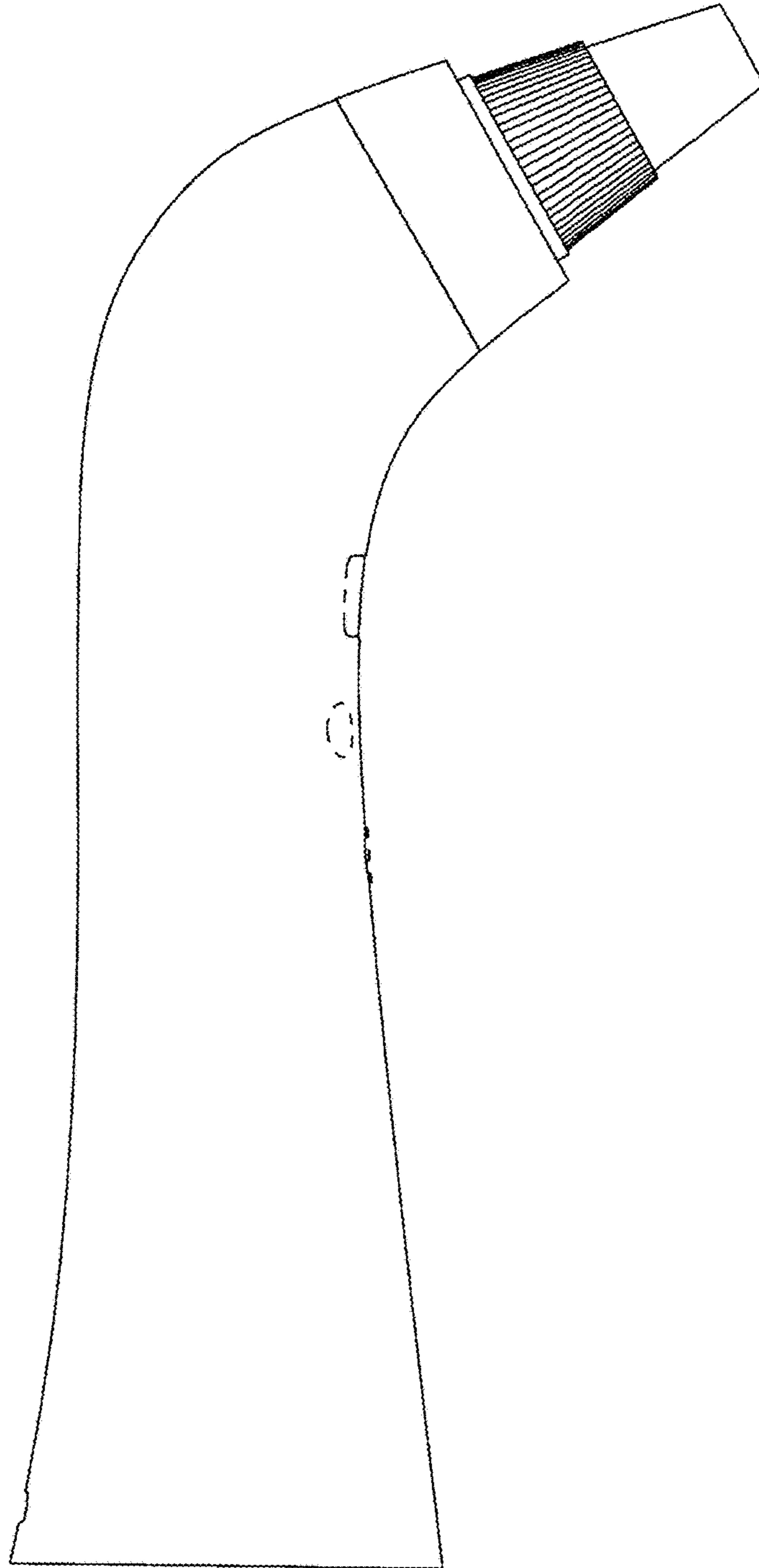


FIG. 3

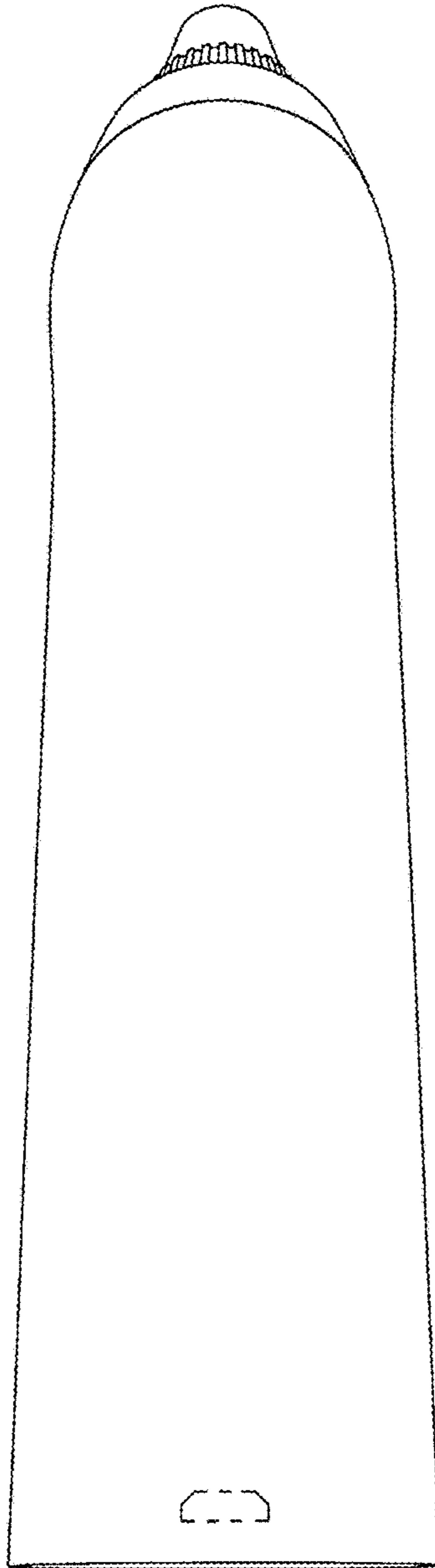


FIG. 4

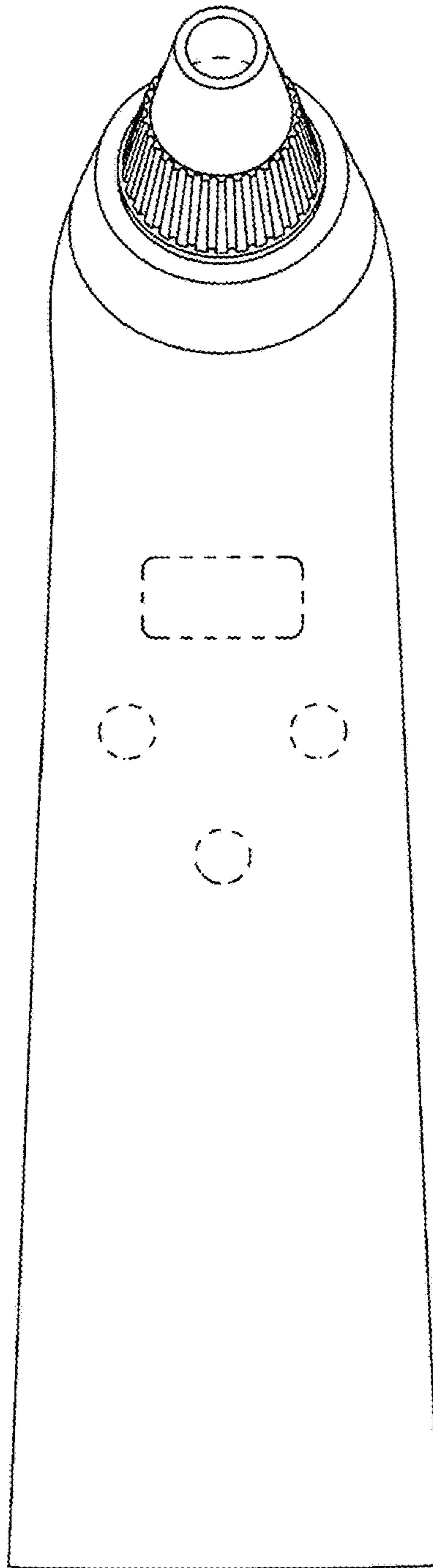


FIG. 5

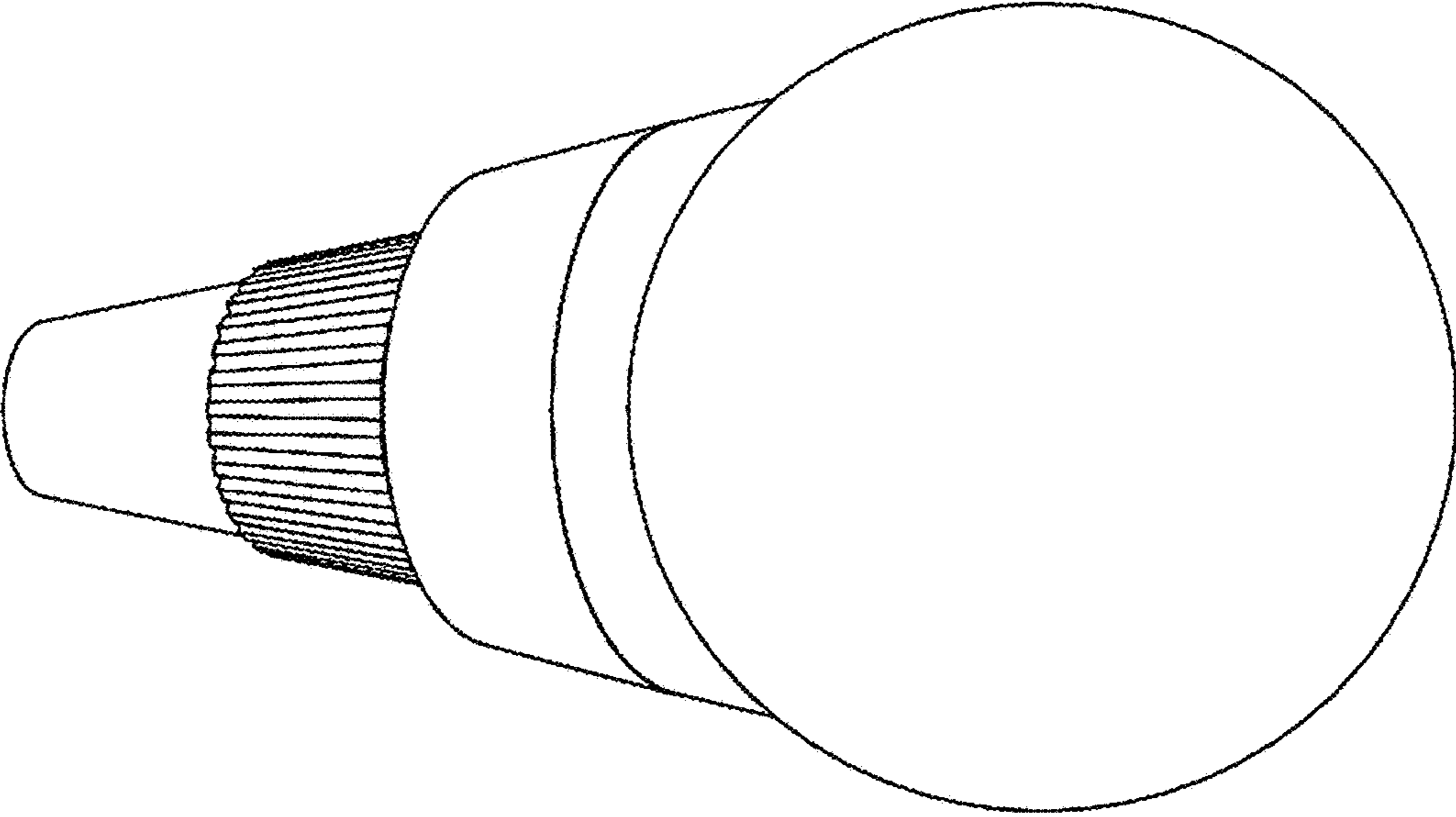


FIG. 6

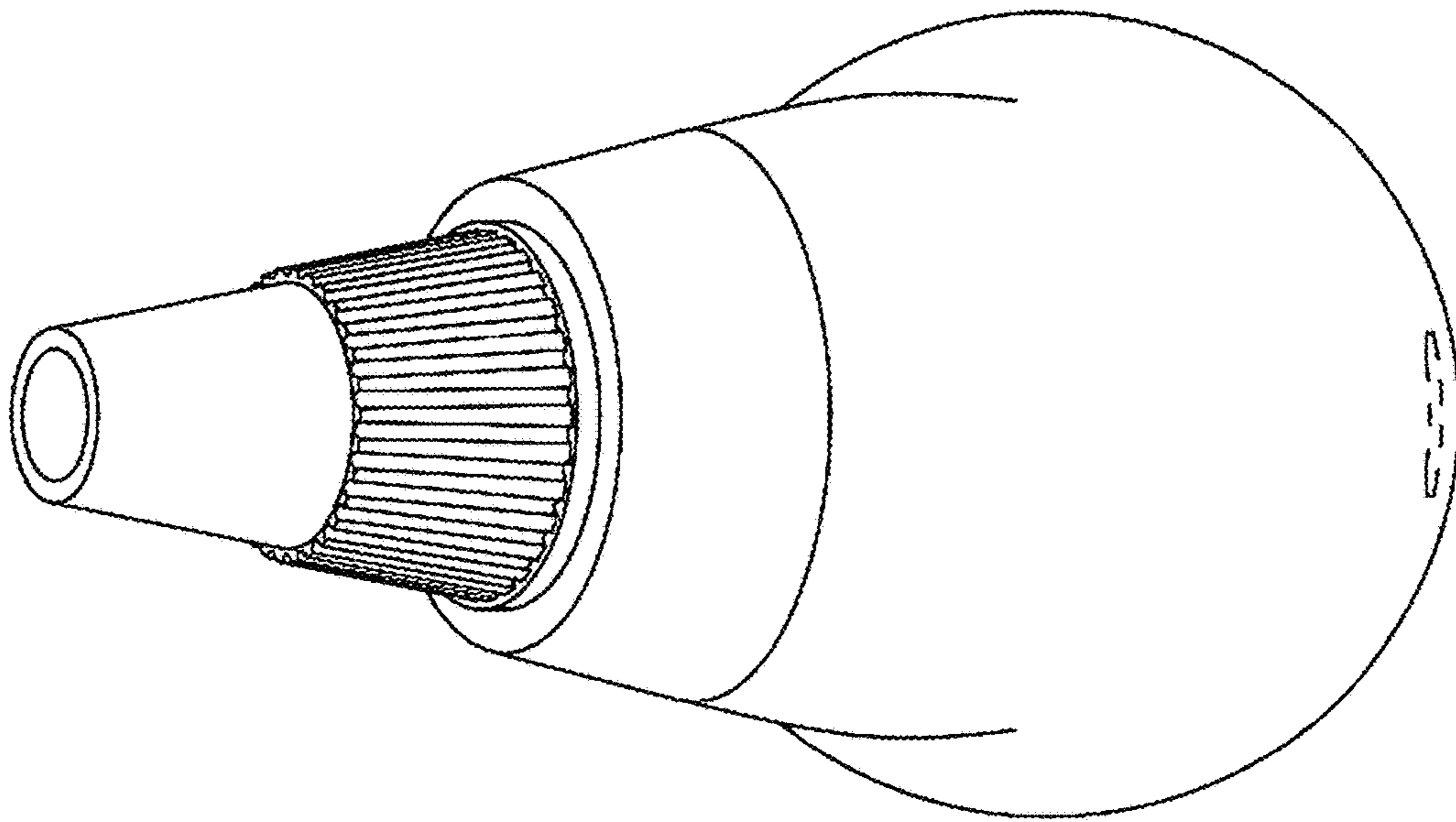


FIG. 7



US00D859681C1

(12) **EX PARTE REEXAMINATION CERTIFICATE** (11861st)
United States Patent
Tang

(10) **Number:** **US D859,681 C1**
(45) **Certificate Issued:** **Jun. 8, 2021**

- (54) **BLACKHEAD REMOVER**
- (71) Applicant: **Hongtao Tang**, Guangdong (CN)
- (72) Inventor: **Hongtao Tang**, Guangdong (CN)

D14/380, 384, 388-401, 455; D10/78;
 D13/123, 162, 164, 168, 184; D18/7, 12,
 D18/12.2, 52; D21/324, 333, 566
 CPC G06F 1/1662; G06F 1/1664; G06F 1/1666;
 G06F 1/1669; G06F 1/1671; G06F
 1/1673; G06F 3/02; G06F 3/0202; G06F
 3/0205; G06F 3/0213; G06F 3/0216;
 G06F 3/0219; G06F 3/0231; G06F
 3/0234; G06F 3/002; G06F 3/016; G06F
 3/03547; G06F 3/041; H04M 1/23
 See application file for complete search history.

Reexamination Request:
No. 90/014,431, Jan. 14, 2020

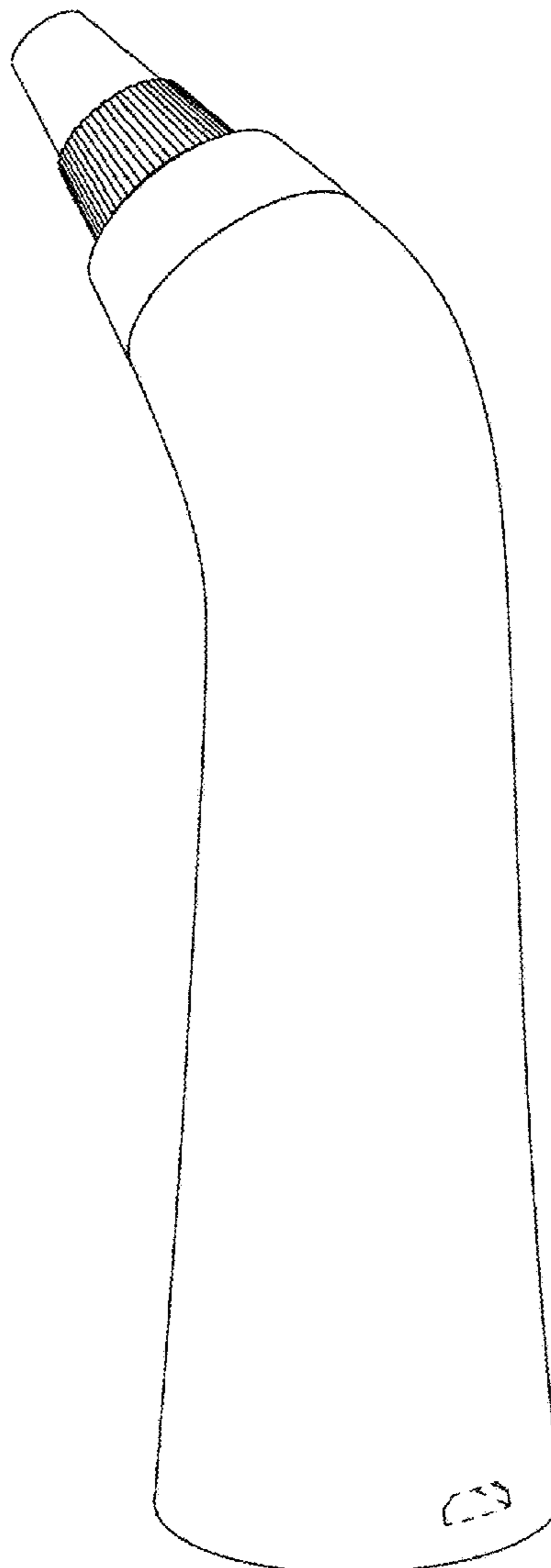
Reexamination Certificate for:
Patent No.: **Des. 859,681**
Issued: **Sep. 10, 2019**
Appl. No.: **29/648,620**
Filed: **May 23, 2018**

- (51) **LOC (13) Cl.** **28-03**
- (52) **U.S. Cl.**
USPC **D24/214**
- (58) **Field of Classification Search**
USPC D14/218, 250, 320, 331, 333, 338, 339,
D14/341, 346, 348, 363, 356, 347, 379,

(56) **References Cited**

To view the complete listing of prior art documents cited during the proceeding for Reexamination Control Number 90/014,431, please refer to the USPTO's public Patent Application Information Retrieval (PAIR) system under the Display References tab.

Primary Examiner — Darlington Ly



1
EX PARTE
REEXAMINATION CERTIFICATE

THE PATENT IS HEREBY AMENDED AS
INDICATED BELOW.

5

AS A RESULT OF REEXAMINATION, IT HAS BEEN
DETERMINED THAT:

The sole claim is cancelled.

10

* * * * *