



US00D859680S

(12) **United States Design Patent** (10) **Patent No.:** **US D859,680 S**
Wersland et al. (45) **Date of Patent:** **** Sep. 10, 2019**

(54) **MESSAGE ELEMENT**

(71) Applicant: **THERAGUN, LLC**, Santa Monica, CA (US)

(72) Inventors: **Jason Wersland**, Manhattan Beach, CA (US); **Michael Waldron**, Dunnington (GB); **Geert Ensing**, Shanghai (CN)

(73) Assignee: **THERAGUN, LLC**, Santa Monica, CA (US)

(**) Term: **15 Years**

(21) Appl. No.: **29/690,357**

(22) Filed: **May 7, 2019**

Related U.S. Application Data

(63) Continuation of application No. 29/637,057, filed on Feb. 13, 2018, now Pat. No. Des. 850,640, which is a continuation-in-part of application No. 15/647,050, filed on Jul. 11, 2017.

(51) **LOC (12) Cl.** **28-03**

(52) **U.S. Cl.**
USPC **D24/211**

(58) **Field of Classification Search**
USPC 52/574; 273/153 P, 153 R, 153 S, 157 R, 273/160; 434/211, 259; 600/38; 601/15, 601/18, 19, 27, 28, 29, 30, 31, 32, 46, 47, 601/48, 52, 72, 99, 112, 113, 118, 135, 601/137, DIG. 12, DIG. 14, DIG. 15, 601/DIG. 16, DIG. 17; D21/505; D24/200, 211, 212, 213, 214, 215; D9/434, 443, 454; D8/378; D11/181; D26/113, 154
CPC A61H 15/0085; A61H 23/0263; A61H 15/00; A61H 39/04; A61H 15/0092; A61H 7/001; A61H 7/003; F16G 13/16; A63B 19/00; A47C 16/025
See application file for complete search history.

(56) **References Cited**

U.S. PATENT DOCUMENTS

1,947,042 A * 2/1934 Glennan A61H 15/02
401/174
2,854,971 A * 10/1958 Williams A61H 15/00
606/238
4,233,966 A * 11/1980 Takahashi A61H 39/04
601/134
D270,279 S * 8/1983 Hamilton D24/211
D274,555 S * 7/1984 Shiu D24/211
D311,790 S * 10/1990 Krief D10/68
D376,015 S * 11/1996 Newberry D24/211

(Continued)

OTHER PUBLICATIONS

Amazon, "TheraGun G2PRO Professional Massager", Nov. 18, 2017. https://www.amazon.com/TheraGun-G2PRO-Professional-Massager/dp/B07578H2GX/ref=cm_cr_arp_d_product_top?ie=UTF8. Shown on p. 1. (Year: 2017).*

Primary Examiner — Susan E Krakower

Assistant Examiner — Michael A Maharajh

(74) *Attorney, Agent, or Firm* — Jeffer Mangels; Butler & Mitchell LLP; Brennan C. Swain, Esq.

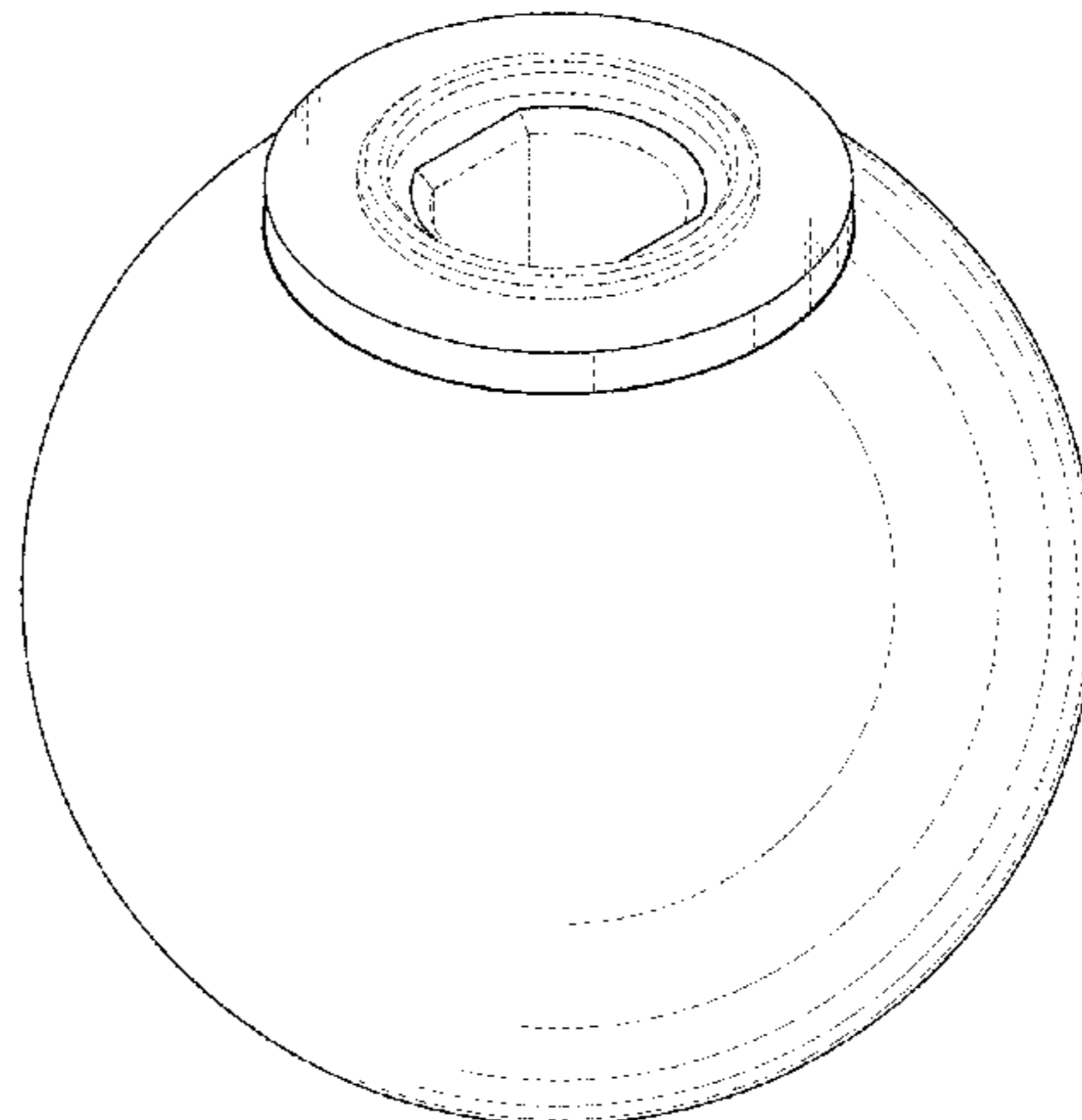
(57) **CLAIM**

The ornamental design for a massage element, as shown and described.

DESCRIPTION

FIG. 1 is a perspective view of a massage element showing our new design;
FIG. 2 is a front elevational view of the present invention shown in FIG. 1, the rear, right and left side elevational views being mirror images thereof;
FIG. 3 is a top plan view of the present invention shown in FIG. 1; and,
FIG. 4 is a bottom plan view of the present invention shown in FIG. 1.

1 Claim, 4 Drawing Sheets



(56)

References Cited

U.S. PATENT DOCUMENTS

5,577,996 A * 11/1996 Gardner A61H 15/0092
601/118
D387,871 S * 12/1997 Childs D24/211
D389,409 S * 1/1998 Tucker D9/454
5,765,921 A * 6/1998 Chuang A47C 16/025
297/423.41
D396,110 S * 7/1998 Kang D24/211
D400,820 S * 11/1998 Hardy D11/117
D403,076 S * 12/1998 York D24/214
D403,428 S * 12/1998 Russo D24/200
5,843,005 A * 12/1998 Chubinsky A61H 7/003
601/15
6,036,463 A * 3/2000 Klassen F01C 3/06
418/195
6,102,876 A * 8/2000 Winger A61H 15/0092
601/107
6,109,999 A * 8/2000 Kuo A63B 19/00
446/236
D491,271 S * 6/2004 Siegfried D24/211
D502,264 S * 2/2005 Timmer D24/211
D507,057 S * 7/2005 Timmer D24/211
D537,166 S * 2/2007 Huang D24/211
7,207,957 B2 * 4/2007 Szczepanski A61H 15/0085
601/112

D545,974 S * 7/2007 Nan D11/121
D545,975 S * 7/2007 Bell D24/211
7,399,285 B2 * 7/2008 Stein A61H 15/02
601/131
D581,229 S * 11/2008 Uglum D8/38
D586,470 S * 2/2009 Warder D24/211
D596,306 S * 7/2009 Levine D24/214
D688,379 S * 8/2013 Ehlers D21/685
D691,279 S * 10/2013 Hane-Karr D24/211
D691,334 S * 10/2013 Byrne D30/121
8,607,541 B1 * 12/2013 Cavuoti 446/120
8,808,208 B2 * 8/2014 Mouatt A61H 7/001
482/131
D719,706 S * 12/2014 Hamill D30/160
D726,028 S * 4/2015 Thompson D28/7
D776,370 S * 1/2017 Miksovsky D1/106
D789,548 S * 6/2017 Cheng D24/211
D822,221 S * 7/2018 Huth D24/211
D827,847 S * 9/2018 Downare D24/211
D829,919 S * 10/2018 Davis D24/211
D830,569 S * 10/2018 Solomon D24/215
D850,640 S * 6/2019 Wersland D24/211
2016/0367425 A1 * 12/2016 Wersland A61H 1/00
2018/0200141 A1 * 7/2018 Wersland A61H 15/0085
2018/0263845 A1 * 9/2018 Wersland A61H 23/0263

* cited by examiner

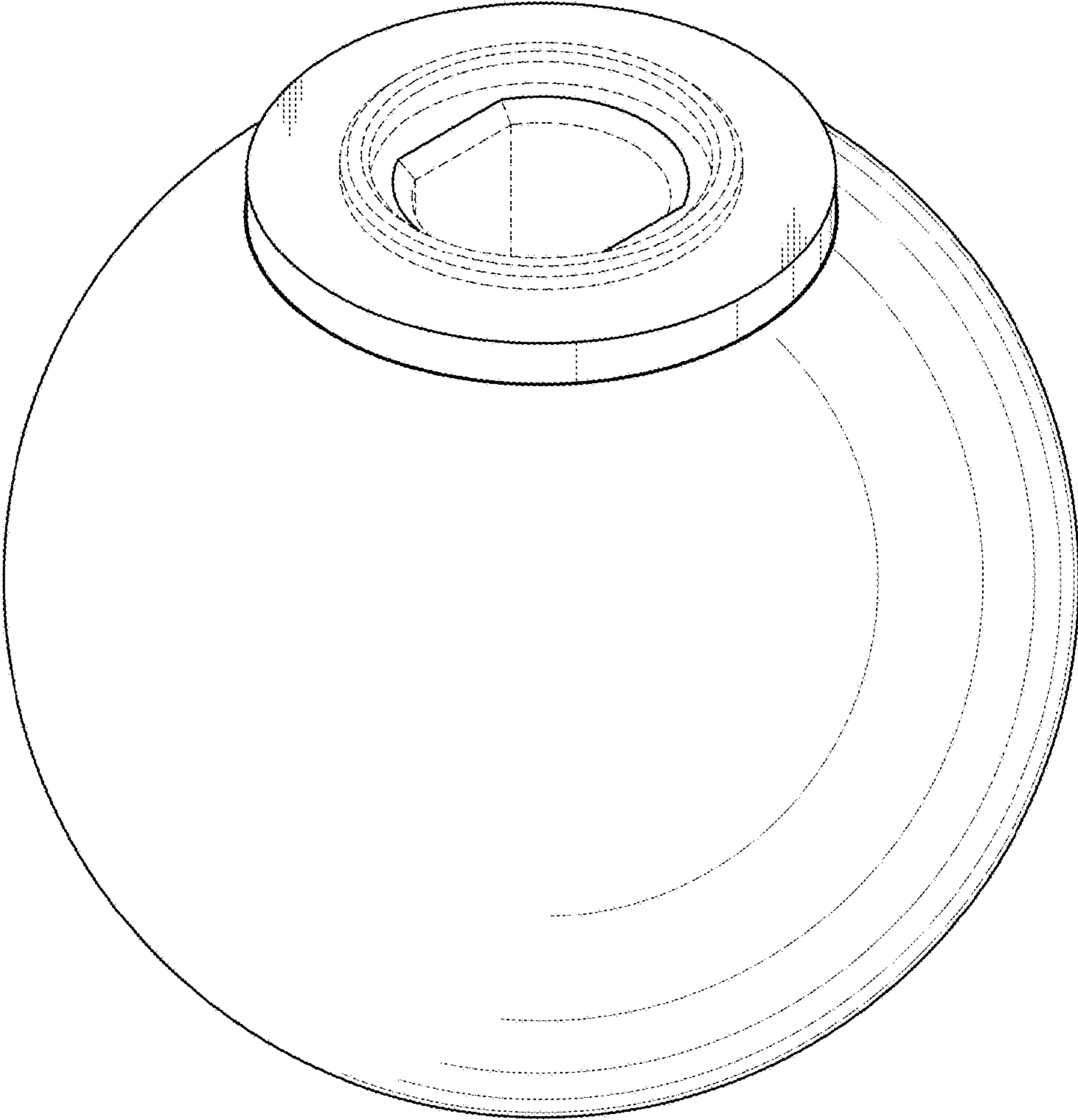


FIG. 1

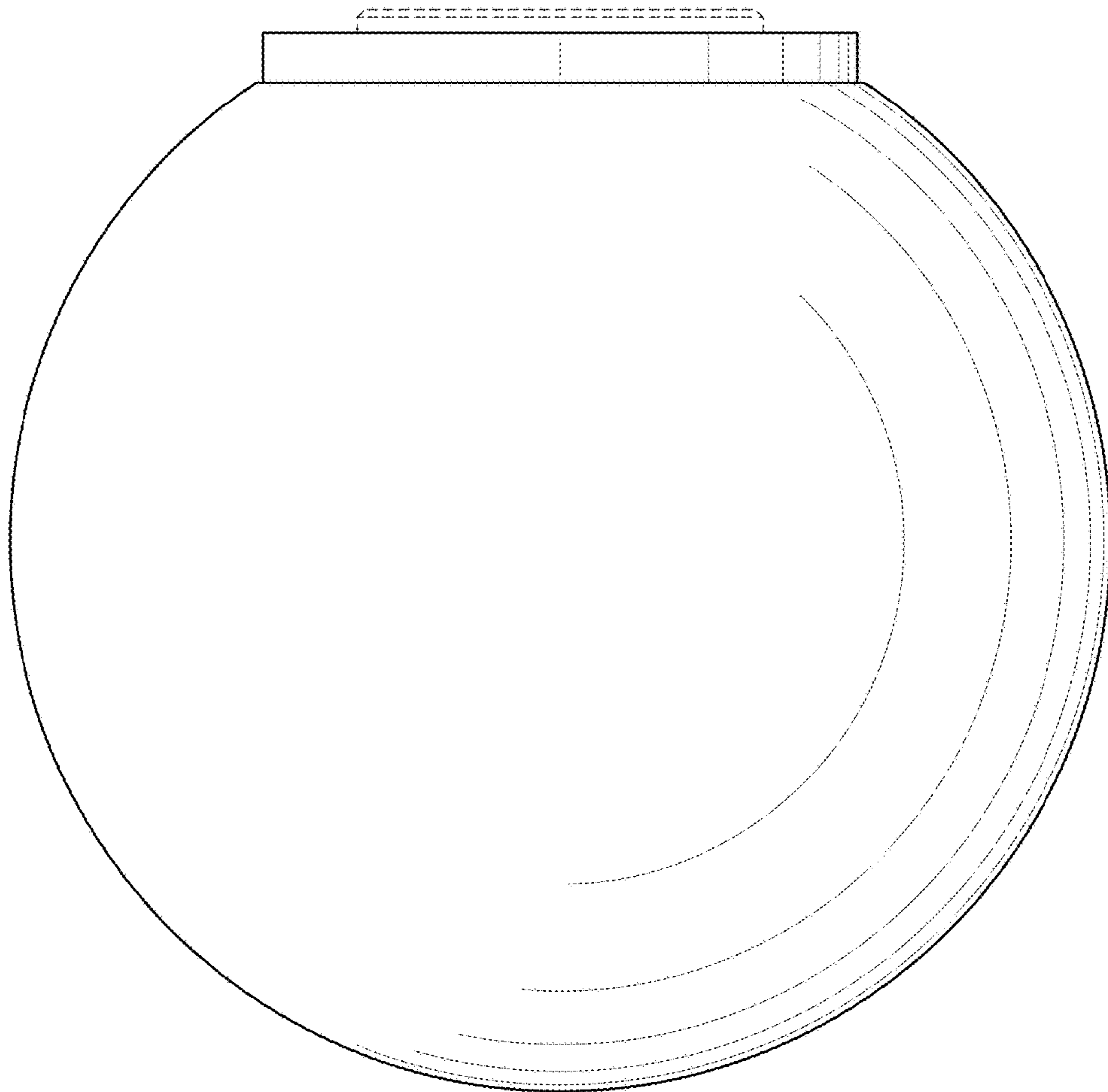


FIG. 2

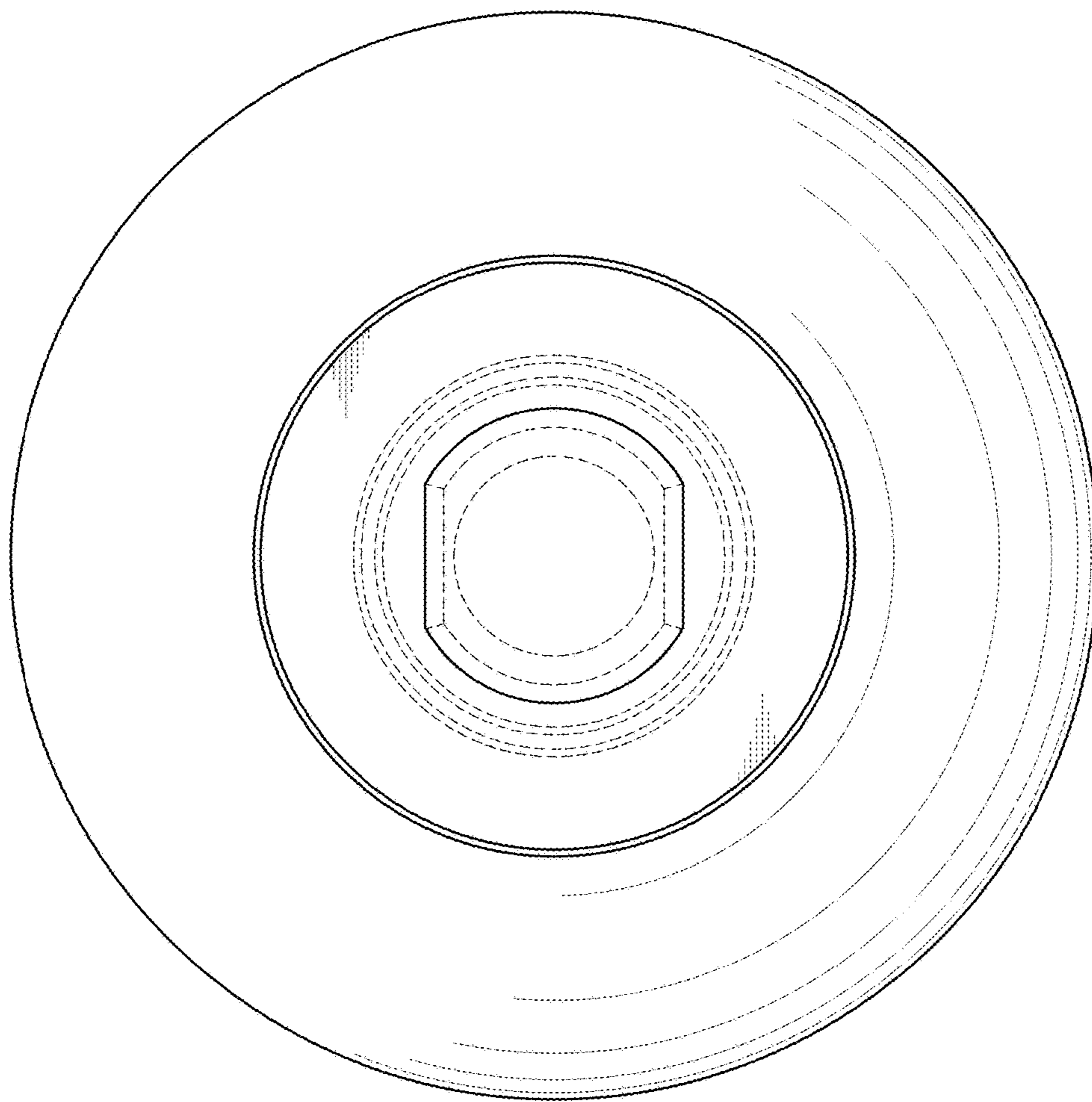


FIG. 3

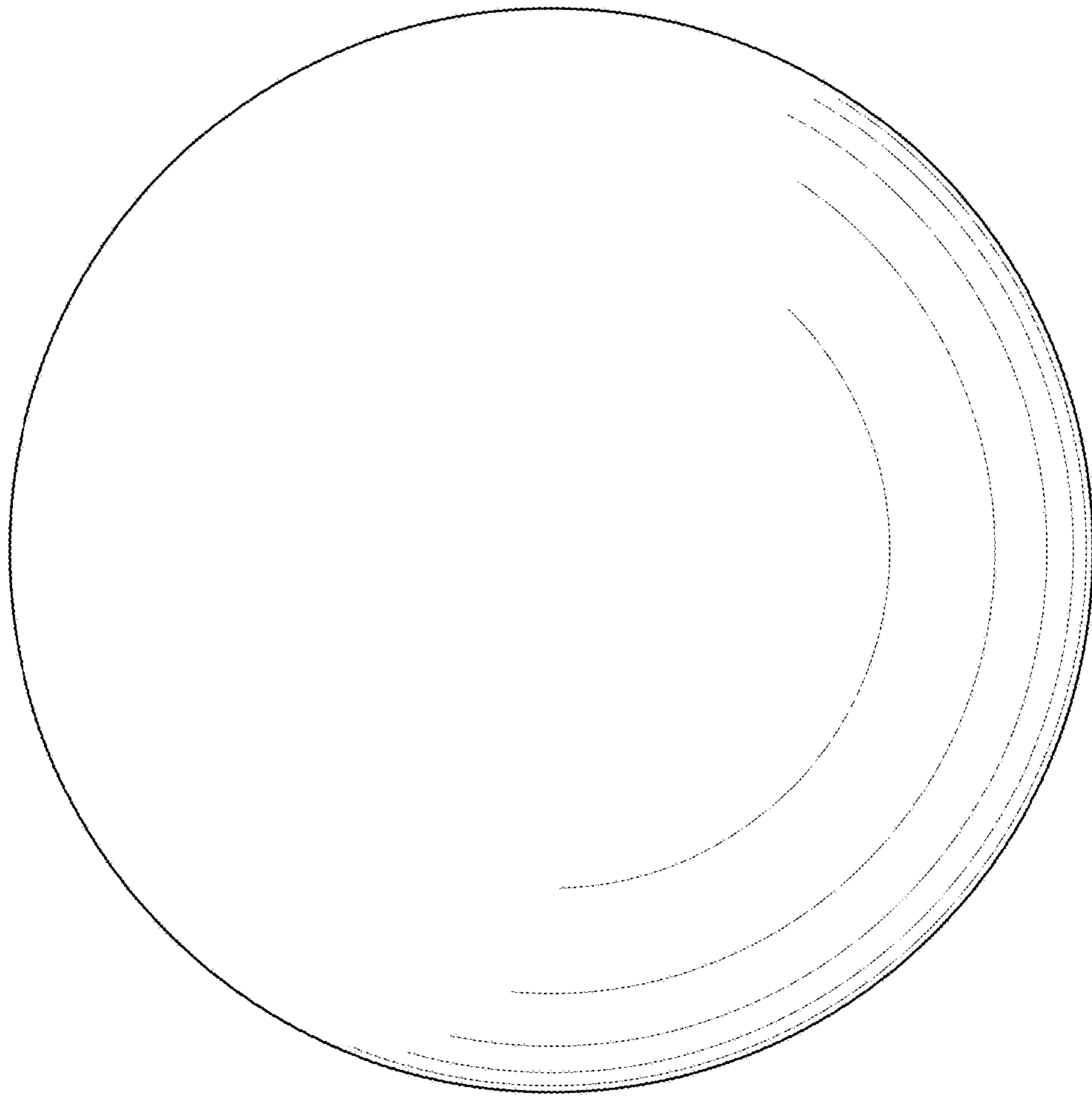


FIG. 4