



US00D859673S

(12) **United States Design Patent**  
**Ito et al.**

(10) **Patent No.:** **US D859,673 S**  
(45) **Date of Patent:** **\*\* Sep. 10, 2019**

(54) **PAD FOR NERVE STIMULATOR DEVICE**

6,615,086 B2 \* 9/2003 Tsai ..... A61N 1/0492  
601/15

(71) Applicant: **OMRON HEALTHCARE Co., Ltd.,**  
**Muko (JP)**

D484,984 S 1/2004 Takizawa et al.

7,069,089 B2 6/2006 Minogue et al.

D534,871 S 1/2007 Larsen

D566,288 S 4/2008 Chuang

D584,414 S 1/2009 Lash et al.

D625,016 S 10/2010 Potts et al.

D626,244 S 10/2010 Sagnip et al.

8,086,318 B2 12/2011 Strother et al.

D704,848 S 5/2014 Thomas et al.

D712,052 S 8/2014 Thomas et al.

D713,049 S 9/2014 Shah

D716,958 S \* 11/2014 Thomas ..... D24/200

D740,428 S 10/2015 Suzuki

D745,975 S 12/2015 Igaue et al.

9,283,371 B2 3/2016 Duncan

(Continued)

(\*\*) Term: **15 Years**

(21) Appl. No.: **29/642,813**

(22) Filed: **Apr. 2, 2018**

(30) **Foreign Application Priority Data**

Oct. 3, 2017 (JP) ..... 2017-021902

(51) **LOC (12) Cl.** ..... **28-03**

(52) **U.S. Cl.**

USPC ..... **D24/200**

(58) **Field of Classification Search**

USPC ..... D24/200, 185-187, 214-215

CPC ..... A61N 1/04; A61N 1/0404; A61N 1/0452;

A61N 1/0456; A61N 1/0492; A61N 1/06;

A61N 1/36; A61N 1/36021; A61N

1/36057; A61H 21/00; A61H 23/00;

A61H 2205/00

See application file for complete search history.

(56) **References Cited**

U.S. PATENT DOCUMENTS

D255,149 S 5/1980 Bevilacqua

D383,212 S 9/1997 Okabe

D394,906 S 6/1998 Lange et al.

D412,751 S 8/1999 Davis et al.

D413,168 S 8/1999 Davis et al.

D432,240 S 10/2000 Katz et al.

OTHER PUBLICATIONS

U.S. Appl. No. 29/596,921, filed Mar. 13, 2017. (Unpublished).

*Primary Examiner* — Wan Laymon

(74) *Attorney, Agent, or Firm* — Saidman DesignLaw  
Group, LLC

(57) **CLAIM**

The ornamental design for a pad for nerve stimulator device,  
as shown and described.

**DESCRIPTION**

FIG. 1 is a perspective view of a pad for nerve stimulator  
device showing our new design;

FIG. 2 is a front view thereof;

FIG. 3 is a rear view thereof;

FIG. 4 is a left side view thereof;

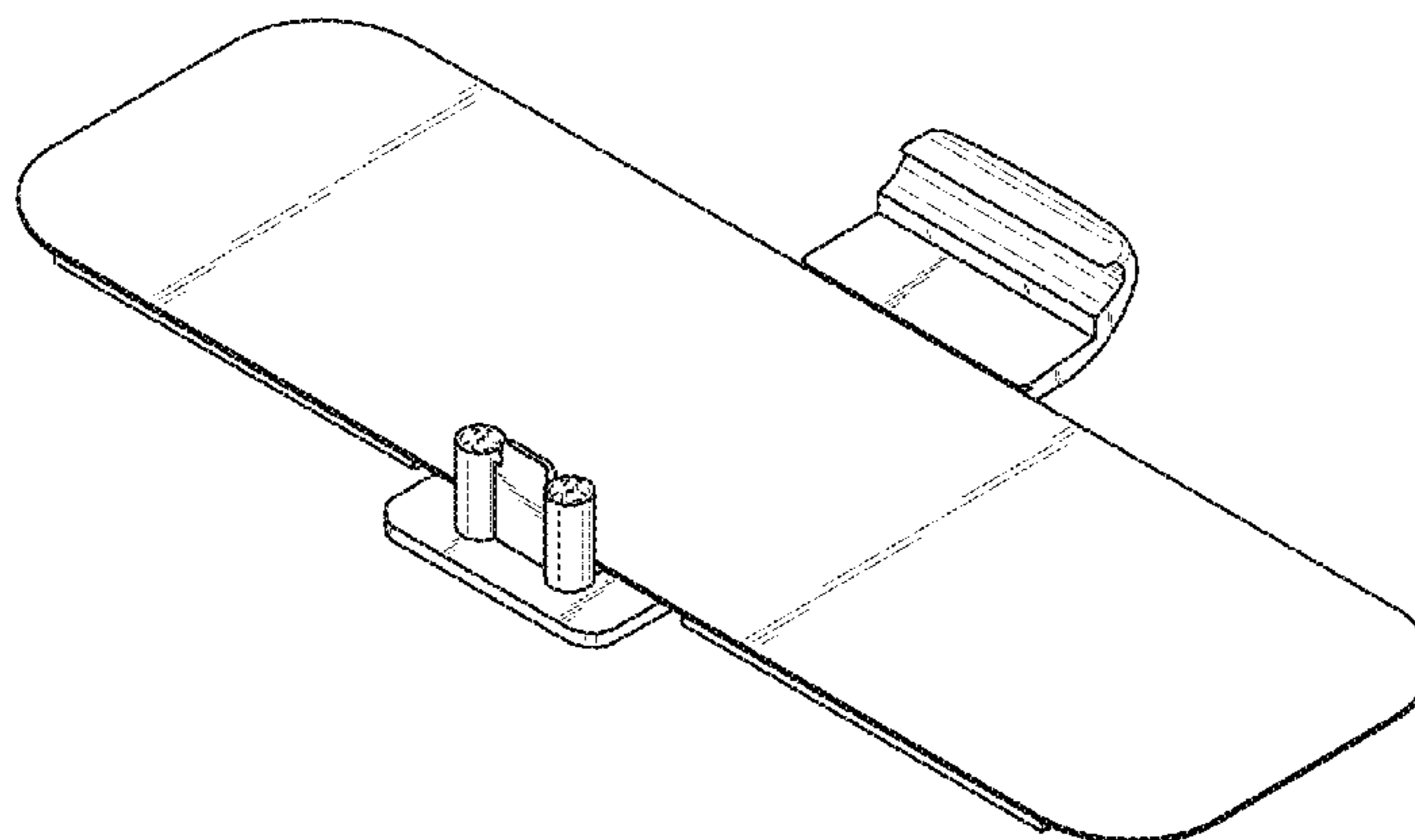
FIG. 5 is a right side view thereof;

FIG. 6 is a top view thereof; and,

FIG. 7 is a bottom view thereof.

The broken lines illustrate structure or features which form  
no part of the claimed design.

**1 Claim, 4 Drawing Sheets**



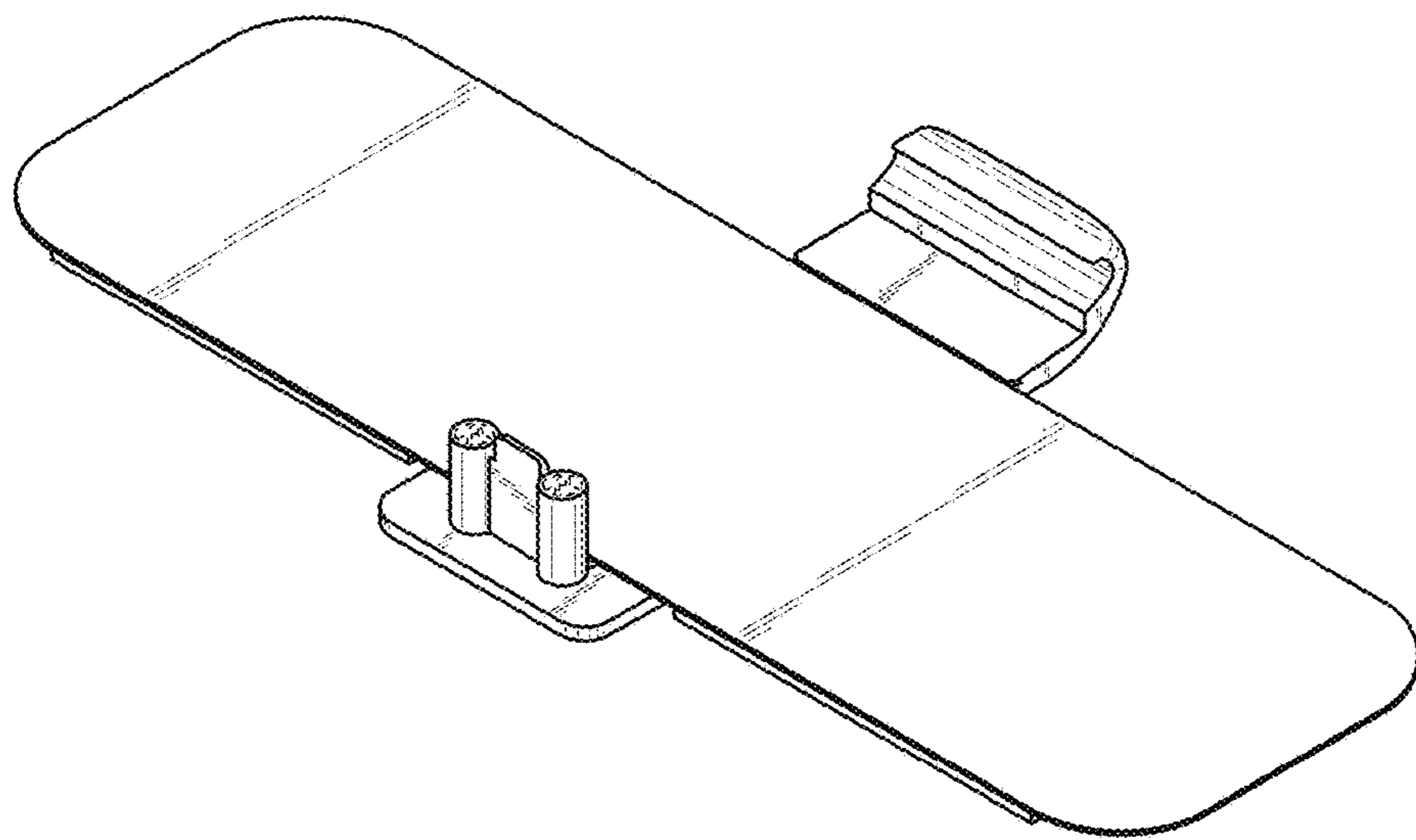
(56)

**References Cited**

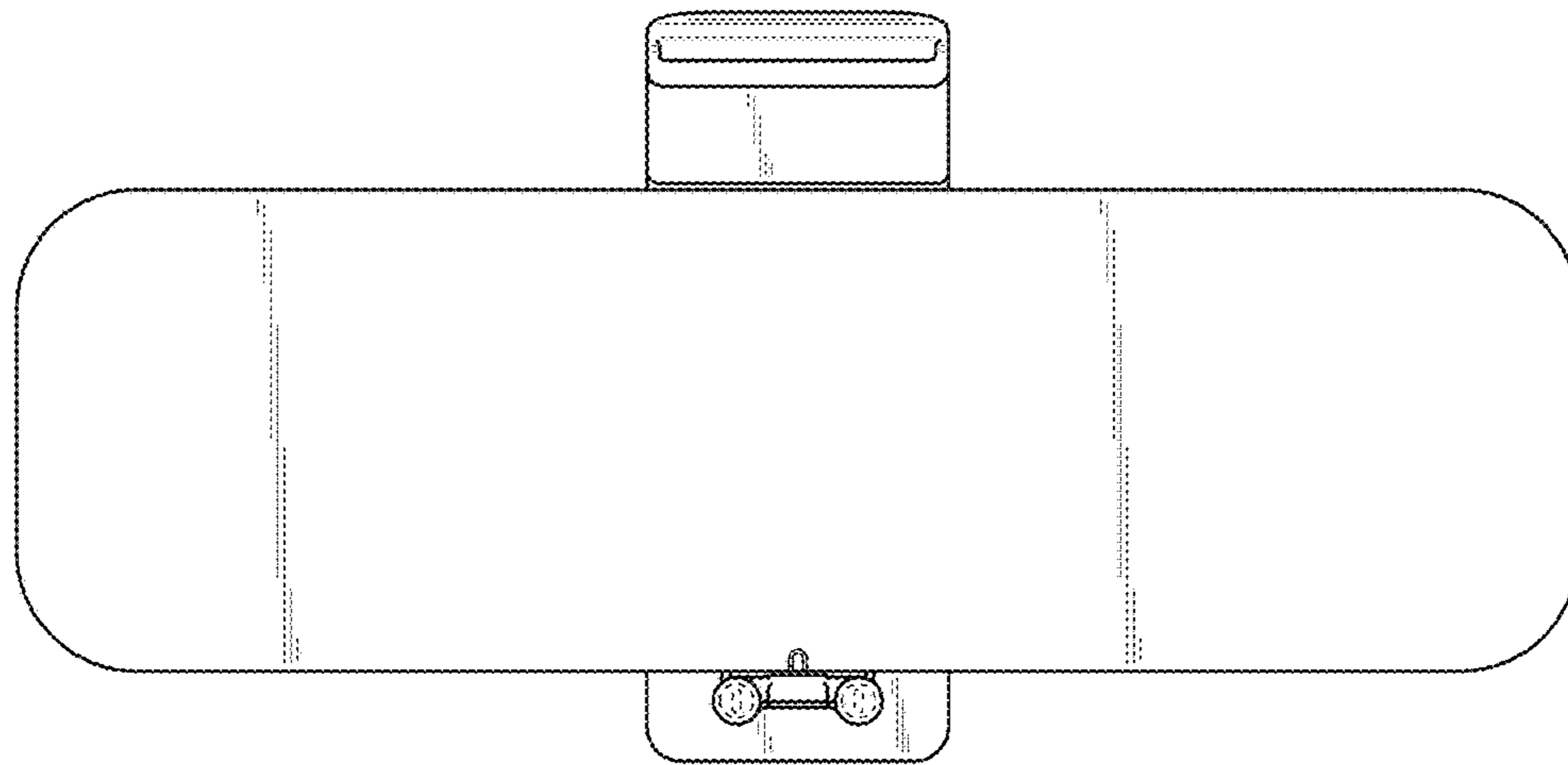
U.S. PATENT DOCUMENTS

D754,355 S 4/2016 Ganapathy et al.  
9,415,217 B2\* 8/2016 Chen ..... A61N 1/0456  
D775,361 S 12/2016 Vosch et al.  
D797,301 S 9/2017 Chen  
D798,170 S 9/2017 Toth et al.  
D810,311 S 2/2018 Chen  
D810,952 S 2/2018 Hsu  
D821,595 S\* 6/2018 Ito ..... D24/200  
2010/0305669 A1 12/2010 Sasaki  
2013/0197341 A1 8/2013 Grob et al.  
2013/0317333 A1 11/2013 Yang et al.  
2014/0206976 A1 7/2014 Thompson et al.  
2015/0238094 A1 8/2015 Lai et al.  
2016/0008597 A1 1/2016 Chen  
2017/0188872 A1\* 7/2017 Hughes ..... A61B 5/6832  
2017/0209693 A1\* 7/2017 An ..... A61N 1/36021  
2017/0224990 A1 8/2017 Goldwasser et al.  
2017/0265251 A1\* 9/2017 Chuang ..... A61N 1/0492  
2017/0368345 A1 12/2017 Kong et al.  
2018/0177997 A1\* 6/2018 Doi ..... A61N 1/04

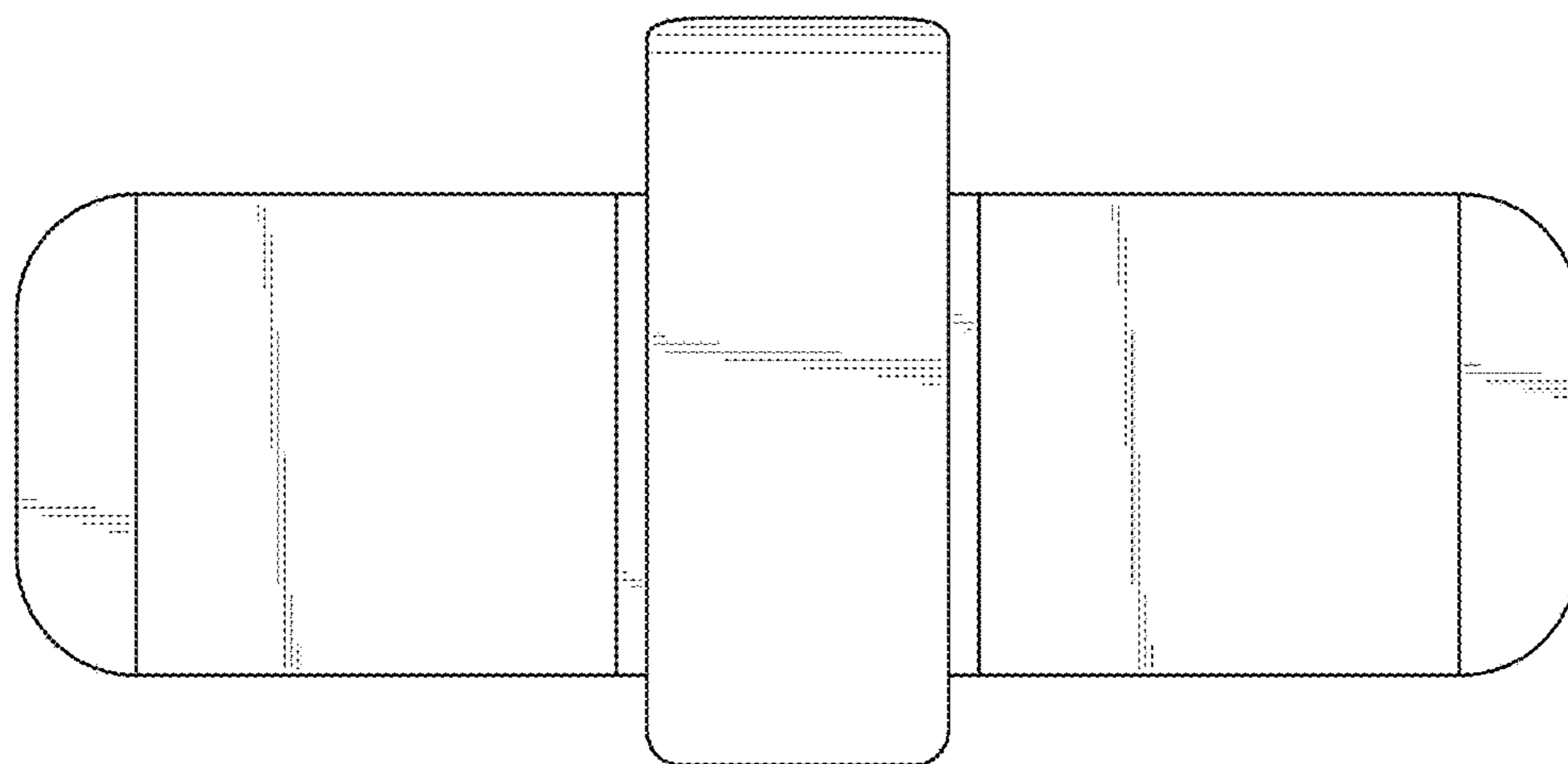
\* cited by examiner



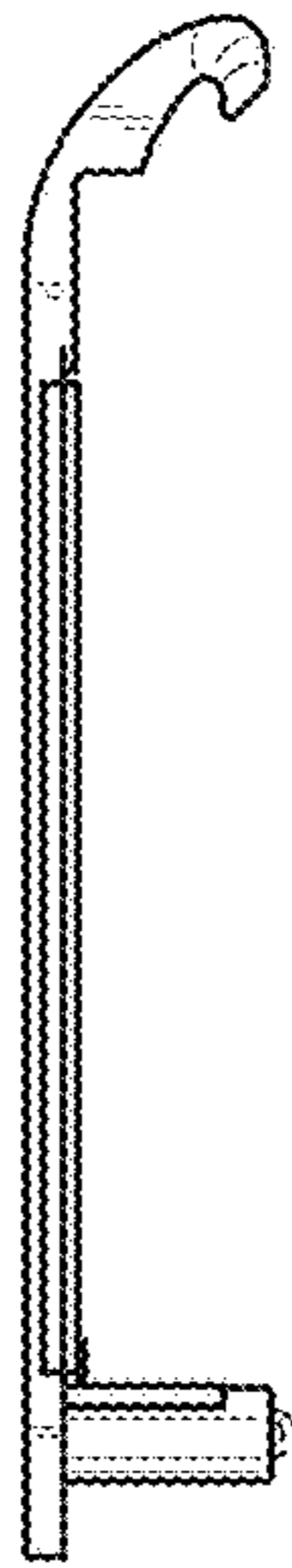
*Fig. 1*



*Fig. 2*



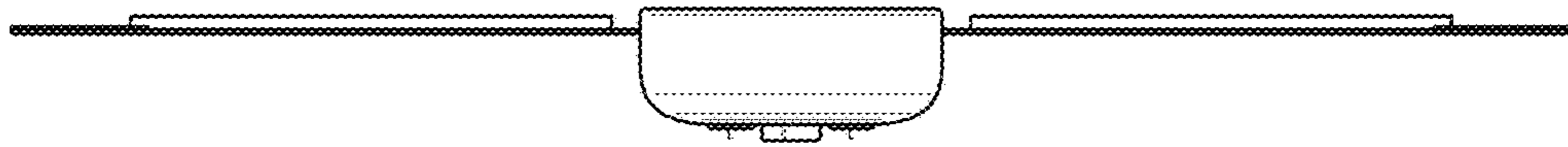
*Fig. 3*



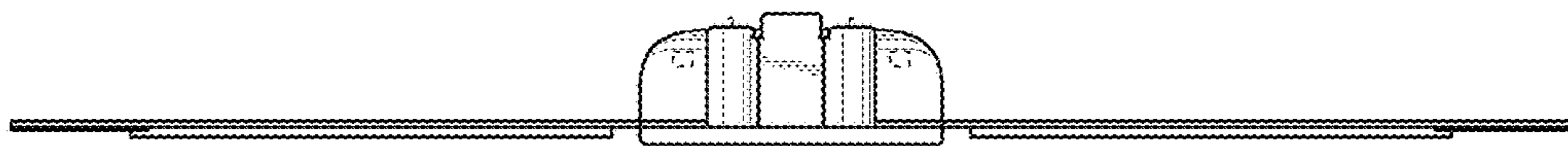
*Fig. 4*



*Fig. 5*



*Fig. 6*



*Fig. 7*