



US00D859671S

(12) **United States Design Patent**
Wang

(10) **Patent No.:** **US D859,671 S**

(45) **Date of Patent:** **** Sep. 10, 2019**

(54) **WEIGHT REDUCING APPARATUS**

(71) Applicant: **HongCheng Wang**, Guangdong (CN)

(72) Inventor: **HongCheng Wang**, Guangdong (CN)

(**) Term: **15 Years**

(21) Appl. No.: **29/632,763**

(22) Filed: **Jan. 10, 2018**

(51) **LOC (12) Cl.** **28-03**

(52) **U.S. Cl.**
USPC **D24/200**

(58) **Field of Classification Search**
USPC D24/200, 186, 214–215; D21/683;
601/46, 61, 64, 66, 68, 80, 84, 125, 137
CPC A61F 5/0003; A61F 5/0026; A61H 15/00;
A61H 15/0085; A61H 15/0092
See application file for complete search history.

(56) **References Cited**

U.S. PATENT DOCUMENTS

D32,665 S * 5/1900 Stevens D24/214
D452,570 S * 12/2001 Since D24/200
D456,522 S * 4/2002 Elkerbout D24/214

D603,971 S * 11/2009 Gonzales D24/200
7,634,314 B2 * 12/2009 Applebaum A61H 15/0085
601/20
D752,235 S * 3/2016 Levi D24/200

* cited by examiner

Primary Examiner — Wan Laymon

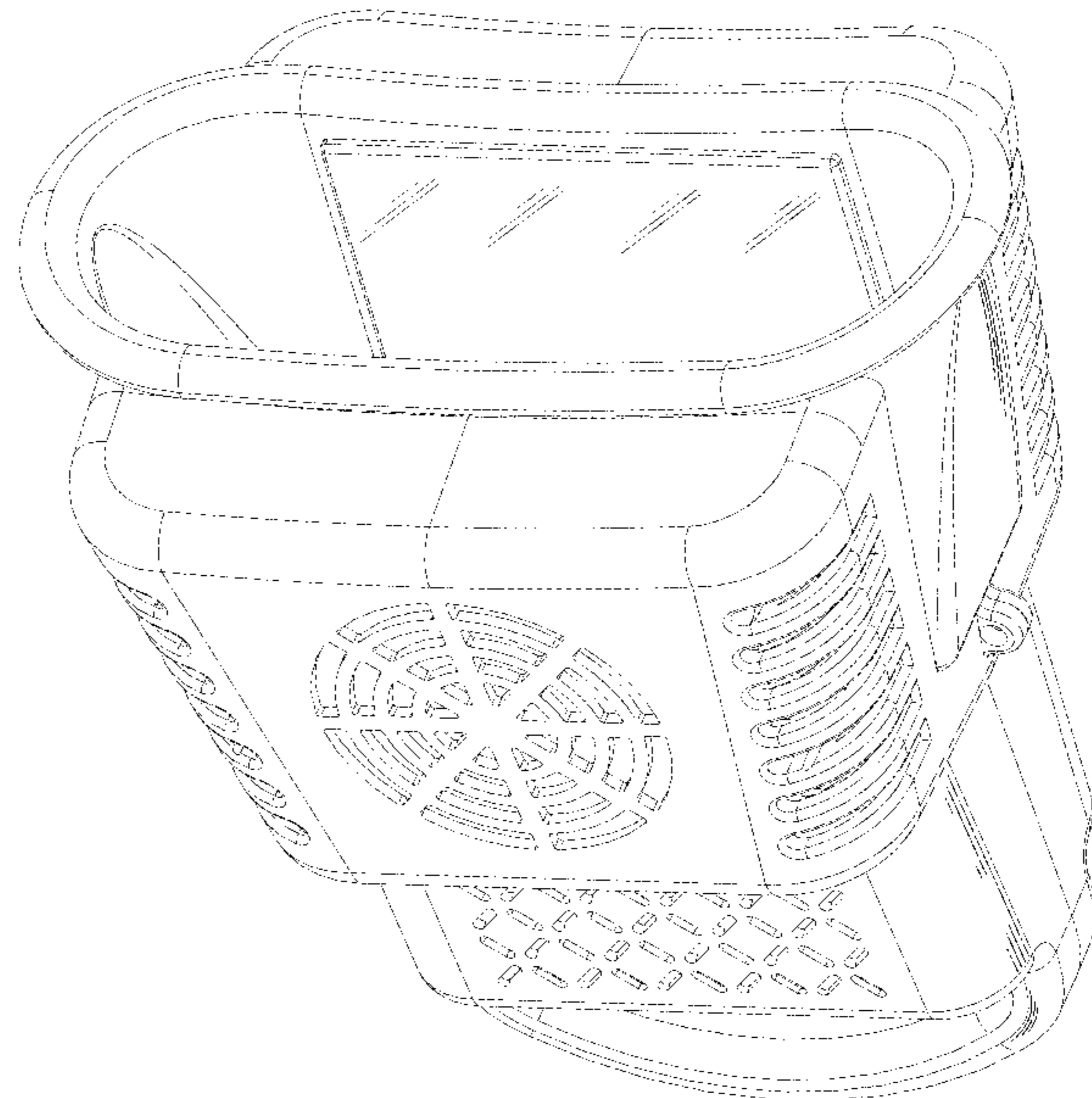
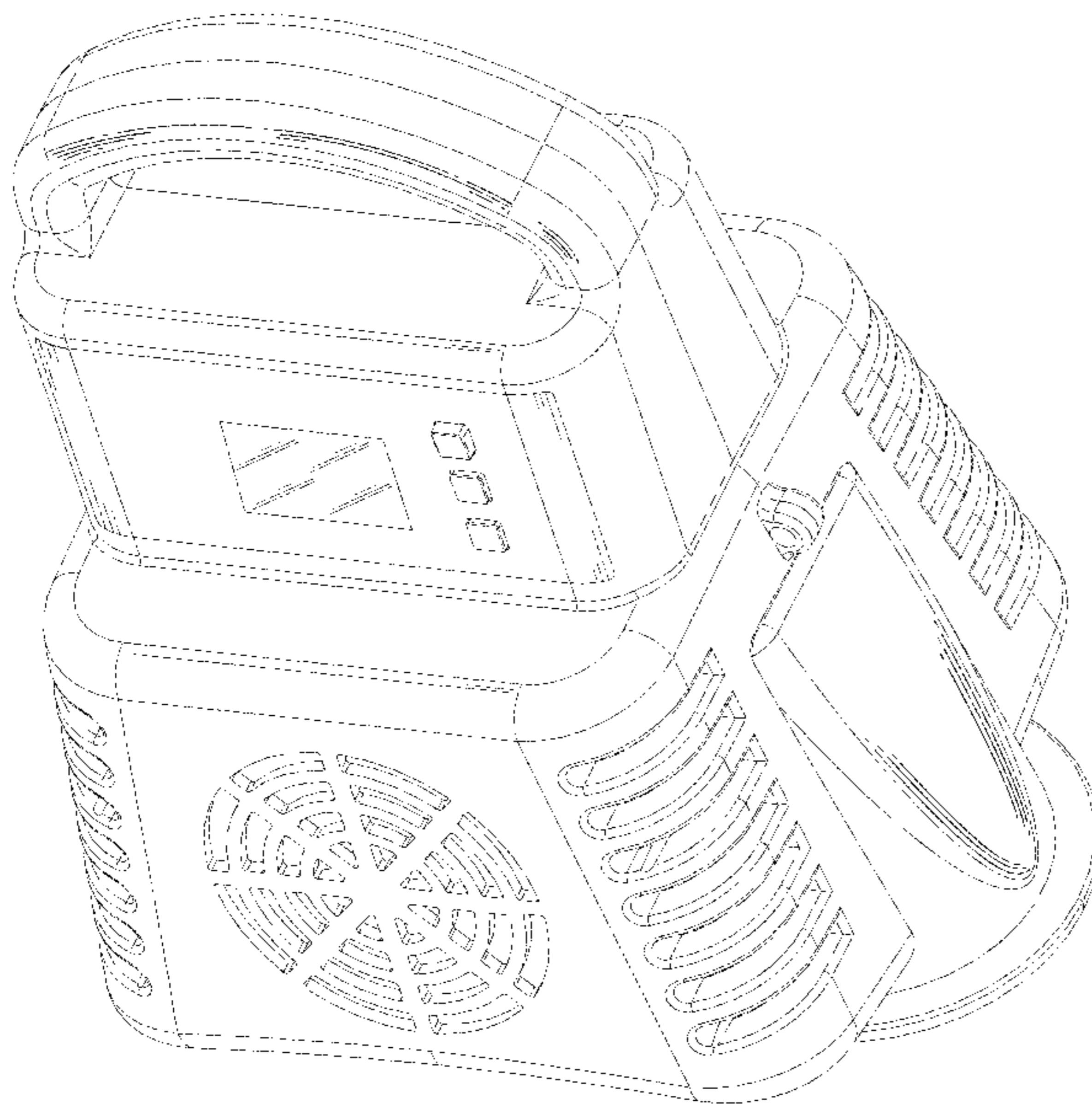
(57) **CLAIM**

The ornamental design for a weight reducing apparatus, as shown and described.

DESCRIPTION

FIG. 1 is a front elevational view of a weight reducing apparatus showing my new design;
FIG. 2 is a rear elevational view thereof;
FIG. 3 is a left side view thereof;
FIG. 4 is a right side view thereof;
FIG. 5 is a top plan view thereof;
FIG. 6 is a bottom plan view thereof;
FIG. 7 is a perspective view thereof; and,
FIG. 8 is another perspective view thereof.
The broken lines shown in weight reducing apparatus form no part of the claimed design.

1 Claim, 8 Drawing Sheets



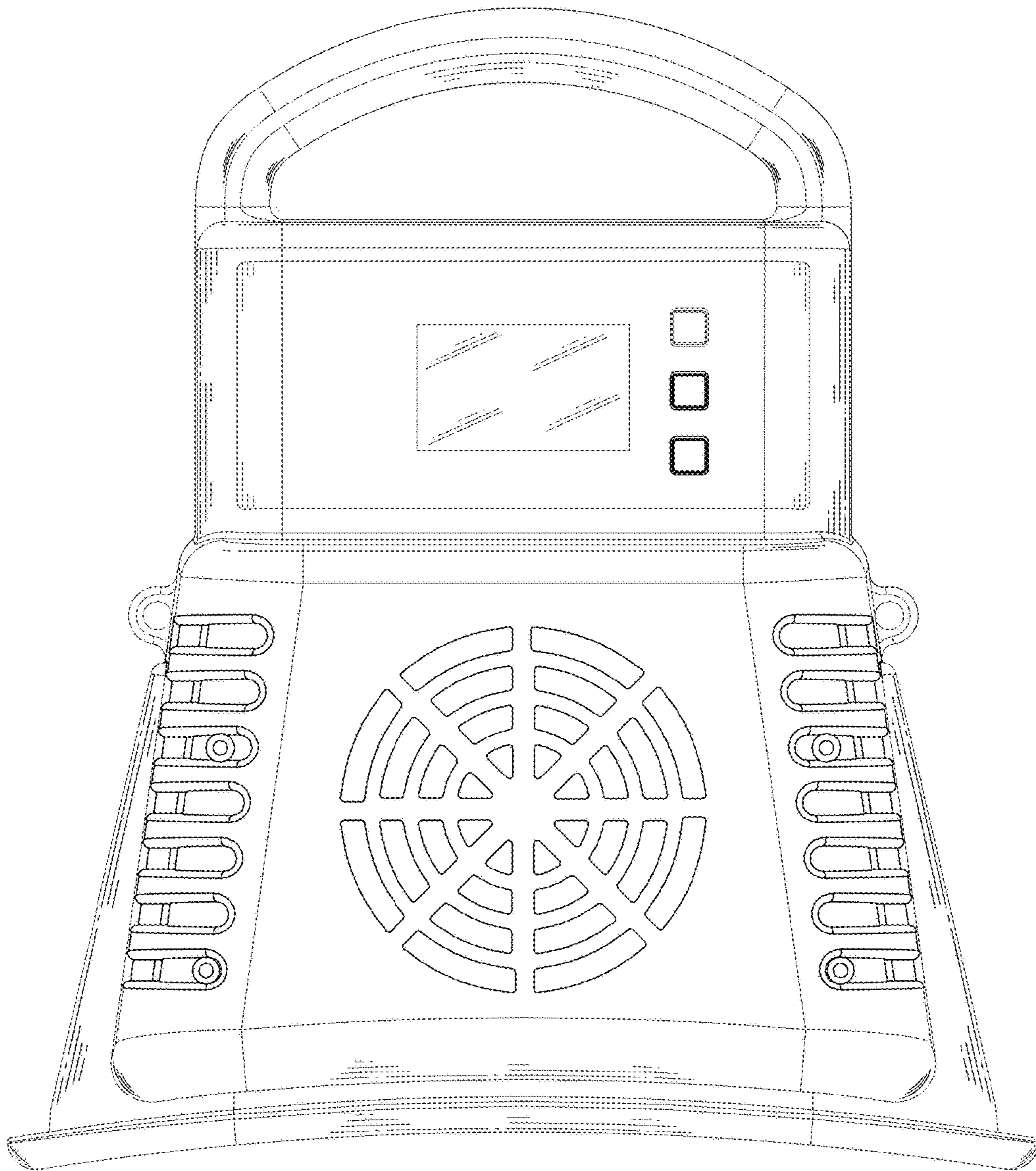


Fig. 1

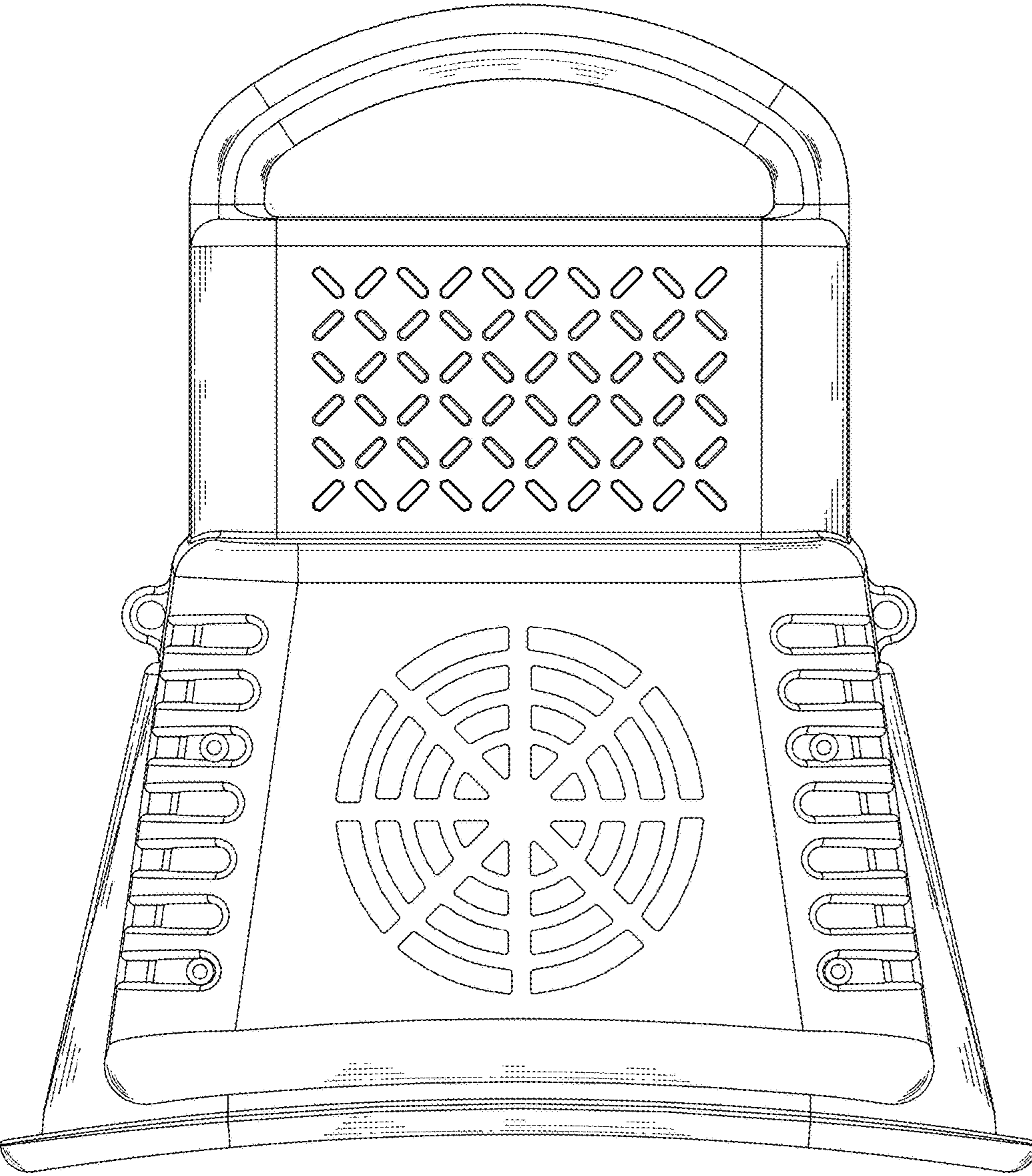


Fig. 2

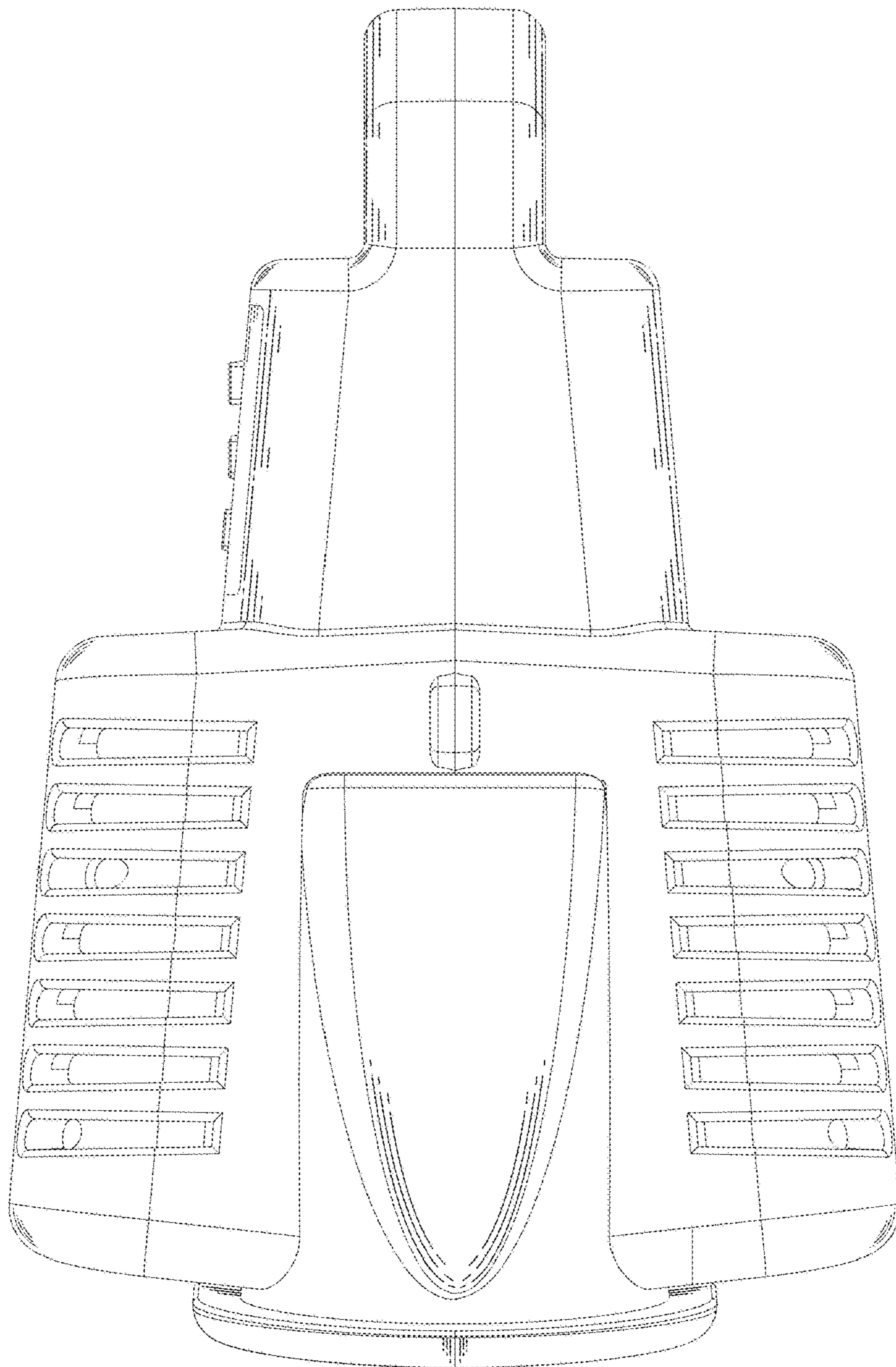


Fig. 3

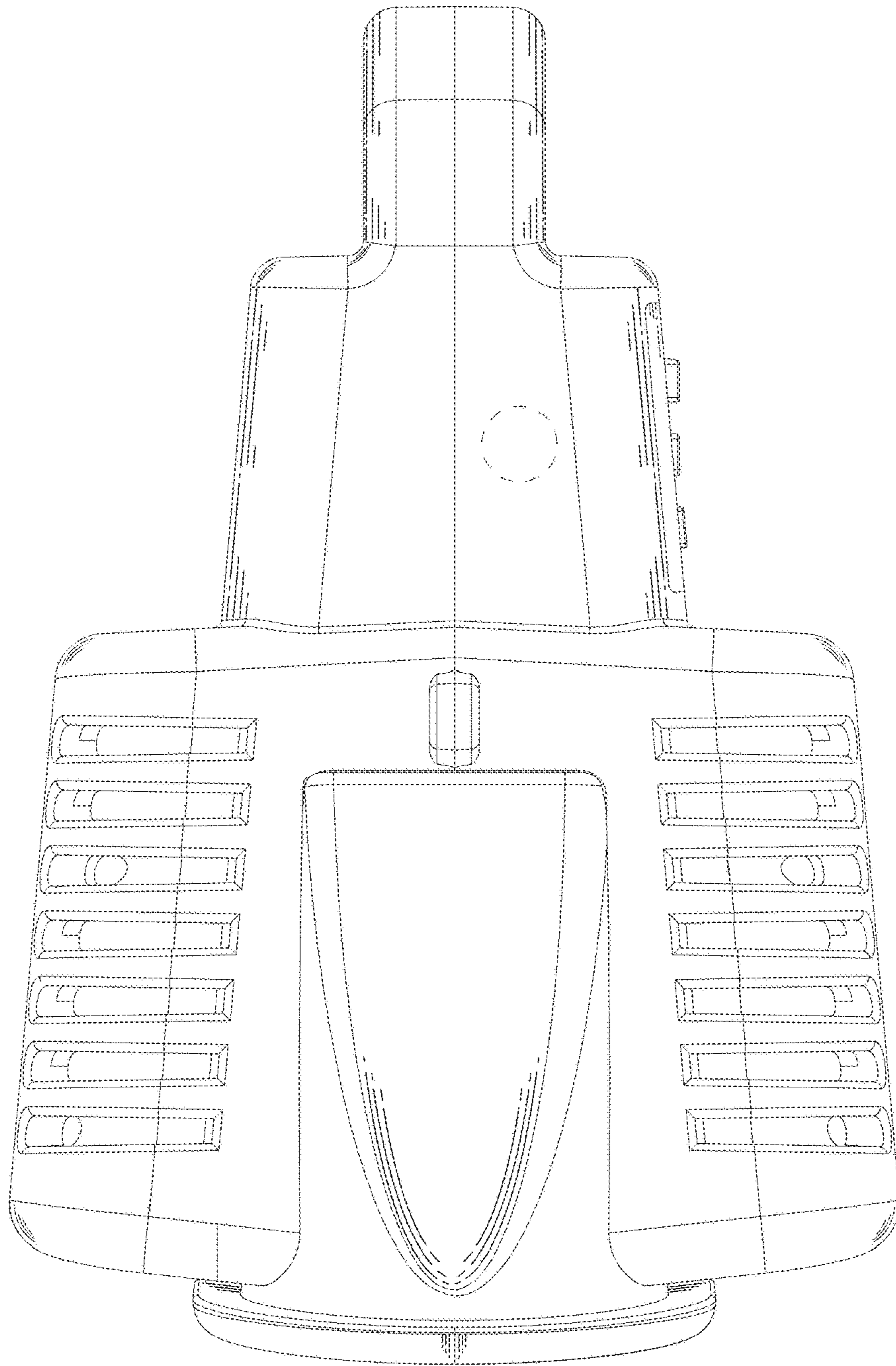


Fig. 4

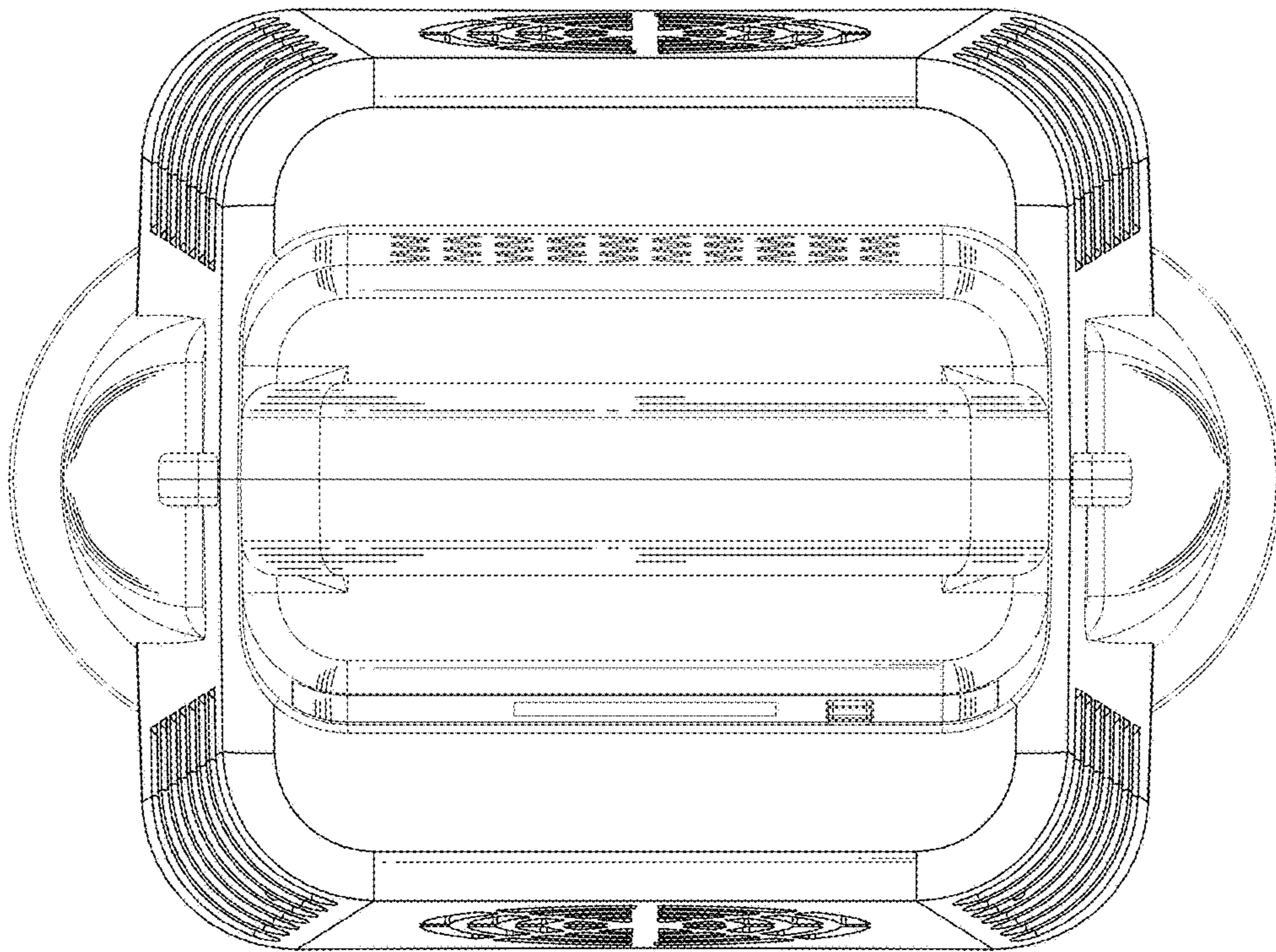


Fig. 5

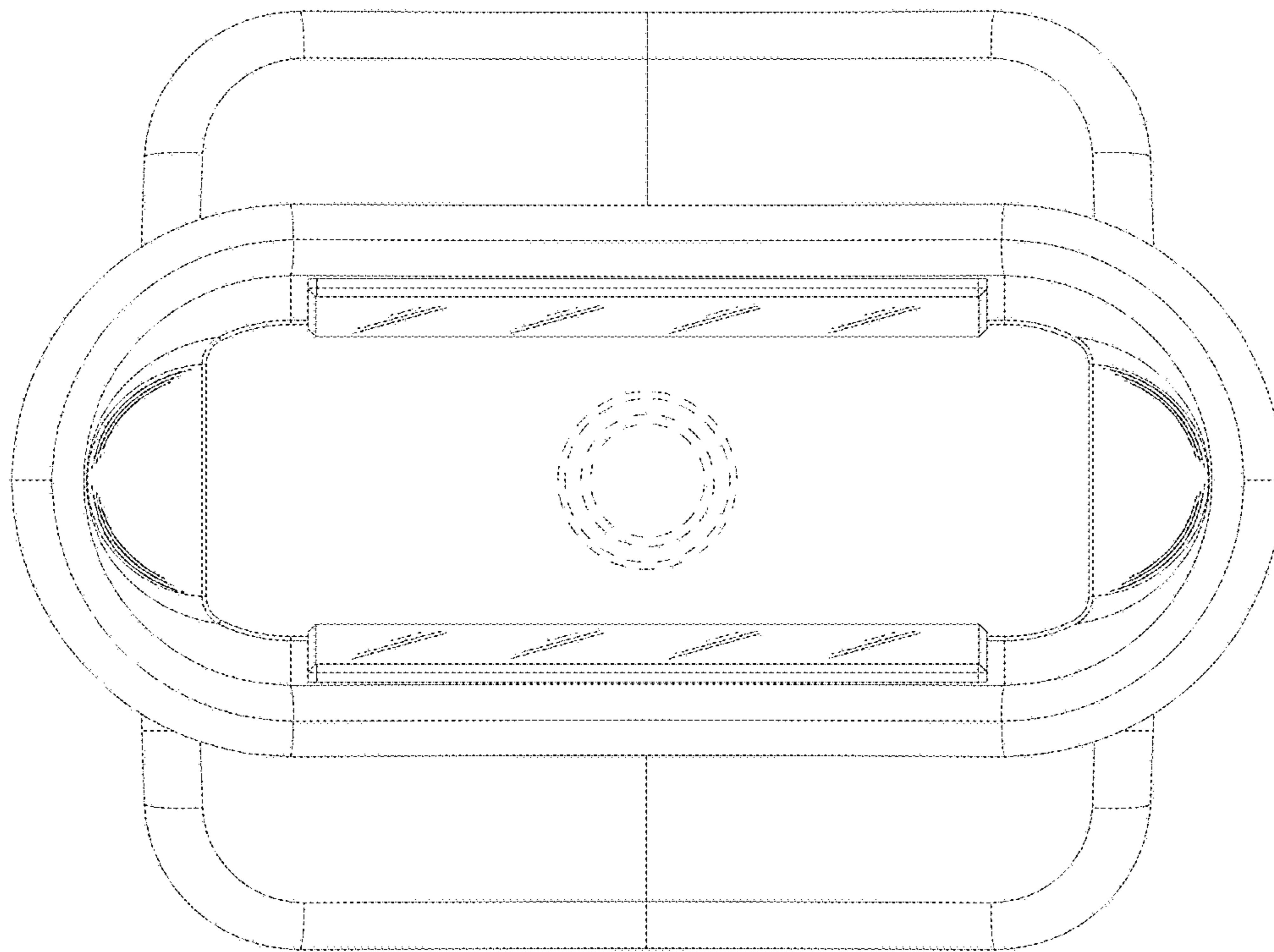


Fig. 6

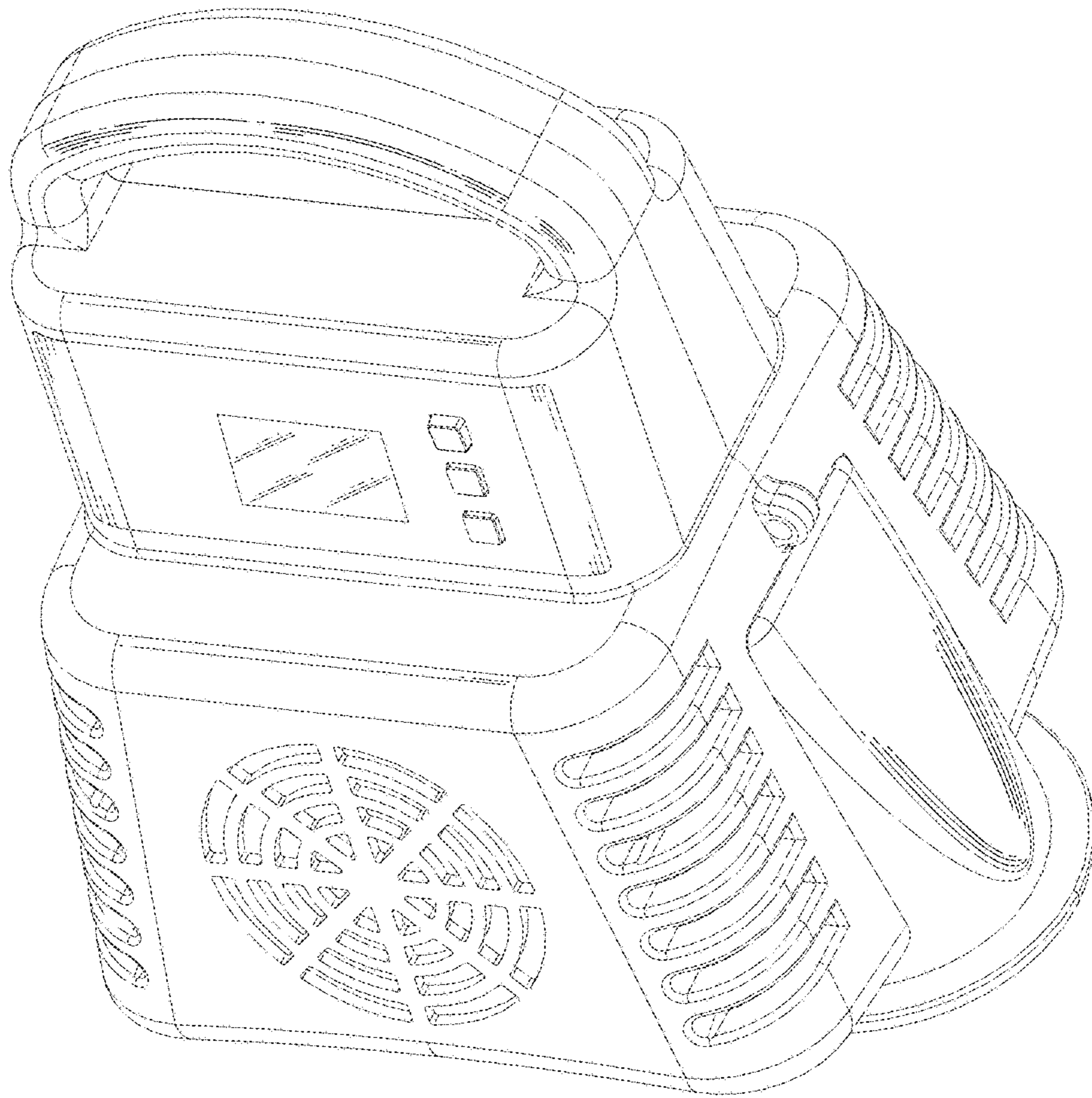


Fig. 7

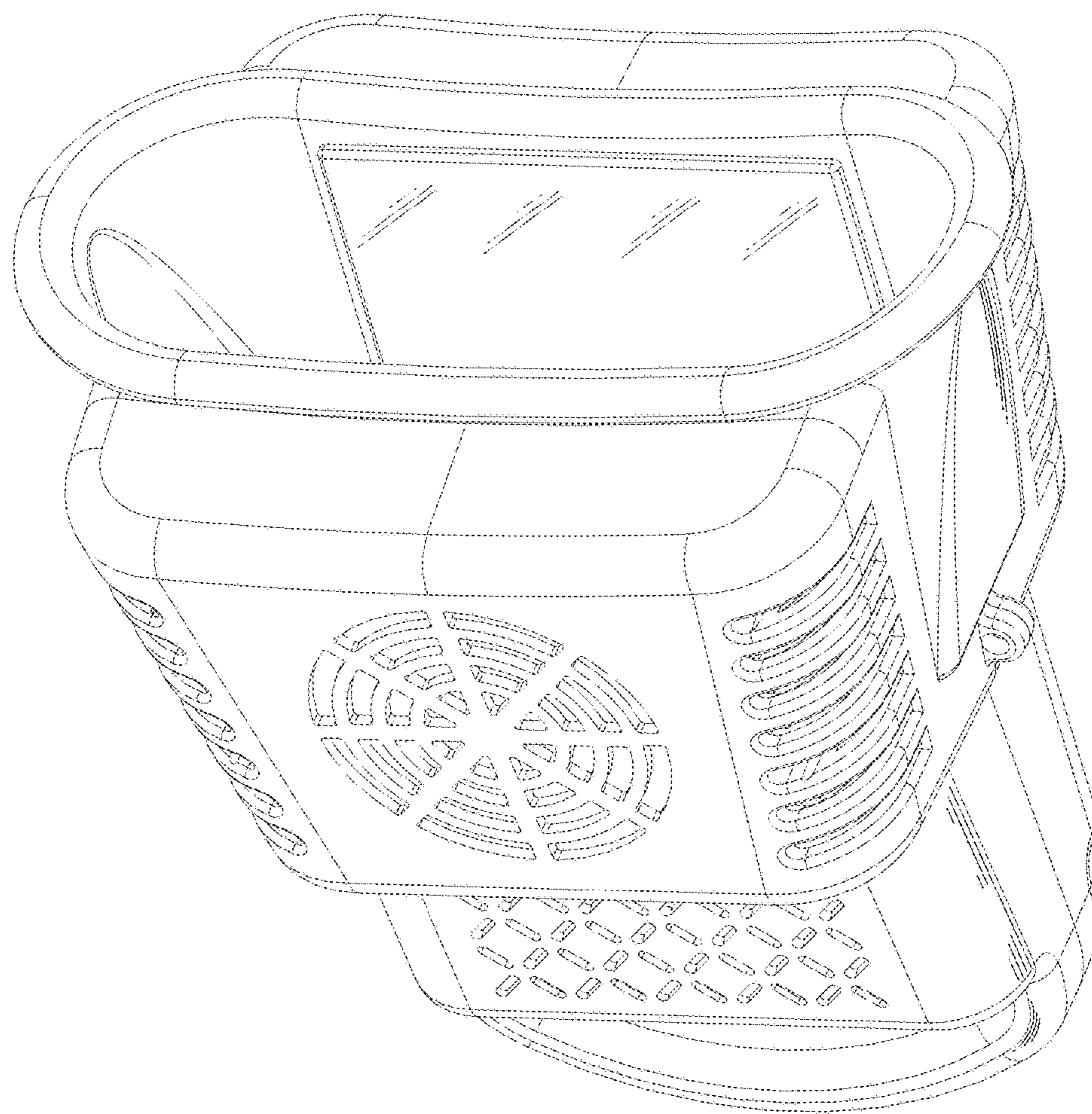


Fig. 8