



US00D859669S

(12) **United States Design Patent**
Tate

(10) **Patent No.:** **US D859,669 S**

(45) **Date of Patent:** **** Sep. 10, 2019**

(54) **THERAPEUTIC DEVICE**

(71) Applicant: **Latoya Tate**, Stockbridge, GA (US)

(72) Inventor: **Latoya Tate**, Stockbridge, GA (US)

(**) Term: **15 Years**

(21) Appl. No.: **29/631,447**

(22) Filed: **Dec. 29, 2017**

(51) **LOC (12) Cl.** **24-01**

(52) **U.S. Cl.**
USPC **D24/190**

(58) **Field of Classification Search**
USPC D24/184, 189, 190, 191, 206-208;
D6/597-601; D29/100
CPC A47C 7/383; A47C 16/00; A47C 27/081;
A61F 5/055; A61F 5/028; A61F 5/026;
A61F 7/02; A61F 2007/0201; A47G 9/10;
Y10S 128/23; A41D 13/0015
See application file for complete search history.

(56) **References Cited**

U.S. PATENT DOCUMENTS

D343,088 S *	1/1994	Owens	D6/601
D386,032 S *	11/1997	Bear	D21/655
D395,087 S *	6/1998	Devries	D24/190
D401,347 S *	11/1998	Cosentino	D24/208
D405,188 S *	2/1999	Evans	D21/604
D407,939 S *	4/1999	Bear	D21/600

D410,167 S *	5/1999	Bear	D21/654
D459,000 S *	6/2002	Smith	D24/208
D525,365 S *	7/2006	Mills	D21/604
D658,302 S *	4/2012	Nixon	D24/190
D660,445 S *	5/2012	Baumwald	D24/208
D769,451 S *	10/2016	MacMillan	D24/190
D777,935 S *	1/2017	Shaffer	D24/190

* cited by examiner

Primary Examiner — Jennifer L Watkins

(74) *Attorney, Agent, or Firm* — Taylor English Duma LLP

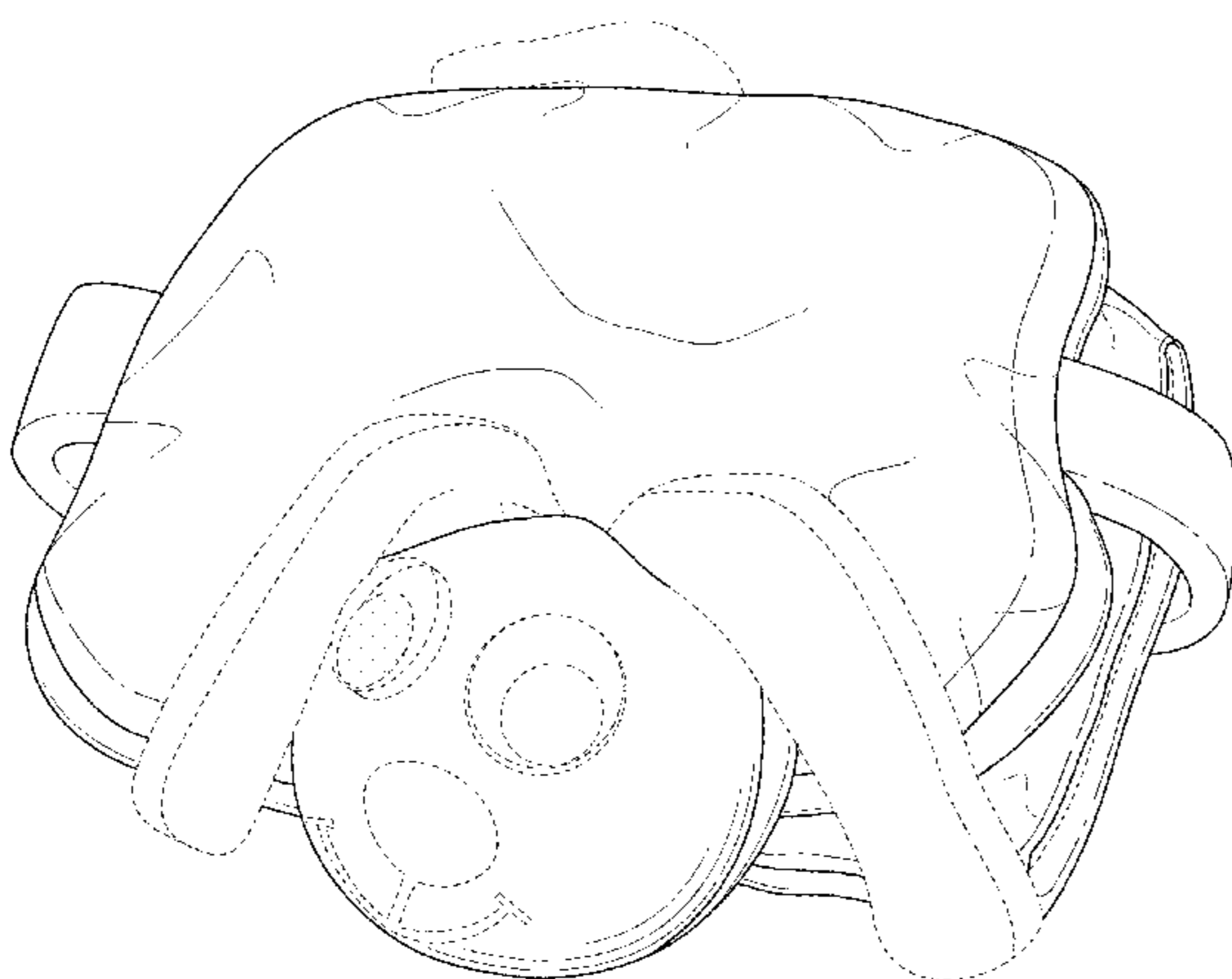
(57) **CLAIM**

I claim the ornamental design for a therapeutic device, as shown and described.

DESCRIPTION

FIG. 1 is a perspective view of the claimed design.
FIG. 2 is a front elevation view thereof.
FIG. 3 is a rear elevation view thereof.
FIG. 4 is a left-side elevation view thereof.
FIG. 5 is a right-side elevation view thereof.
FIG. 6 is a top plan view thereof.
FIG. 7 is a bottom plan view thereof.
FIG. 8 is an exploded perspective view thereof; and,
FIG. 9 is a perspective view showing the claimed design on the arm of a person.
The broken lines in the figures are for the purpose of depicting environment and form no part of the claim.

1 Claim, 7 Drawing Sheets



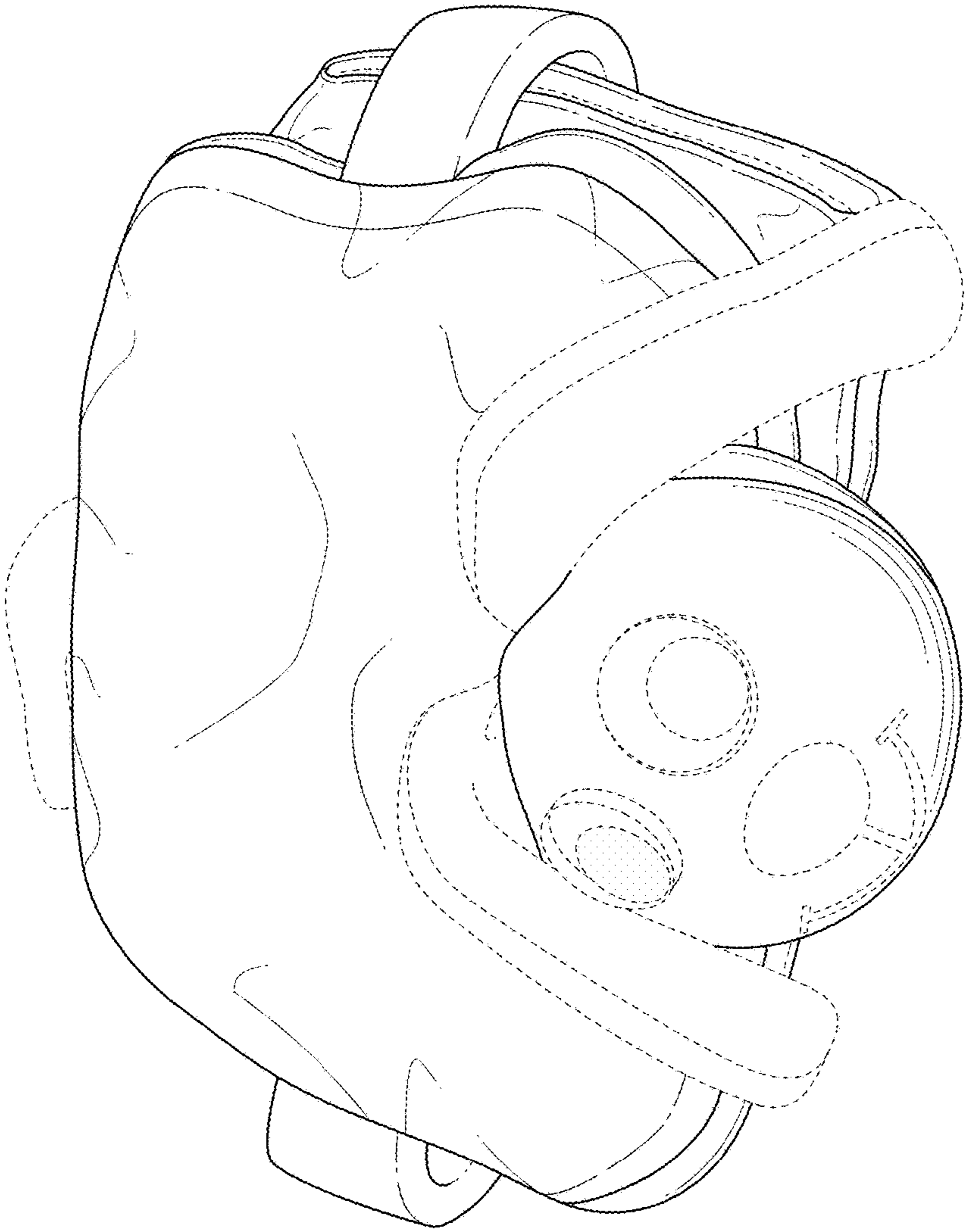


FIG. 1

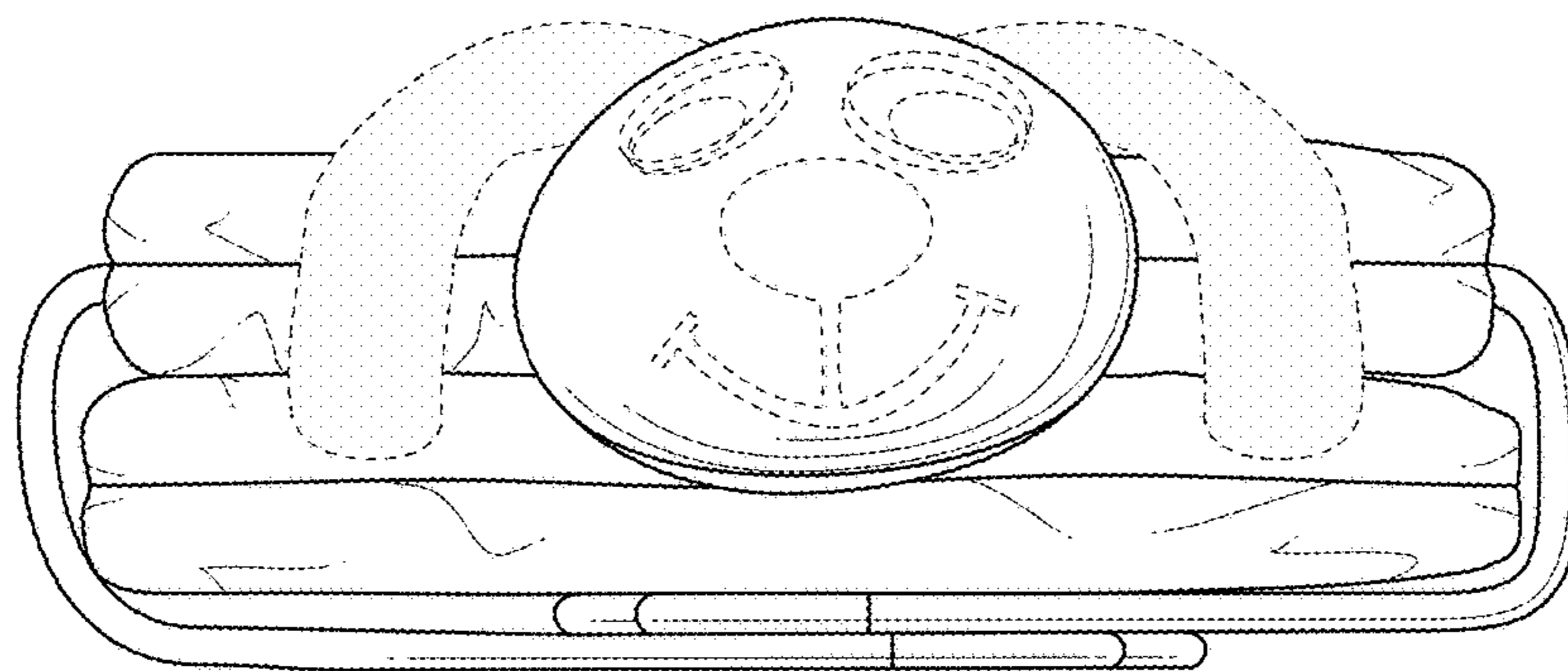


FIG. 2

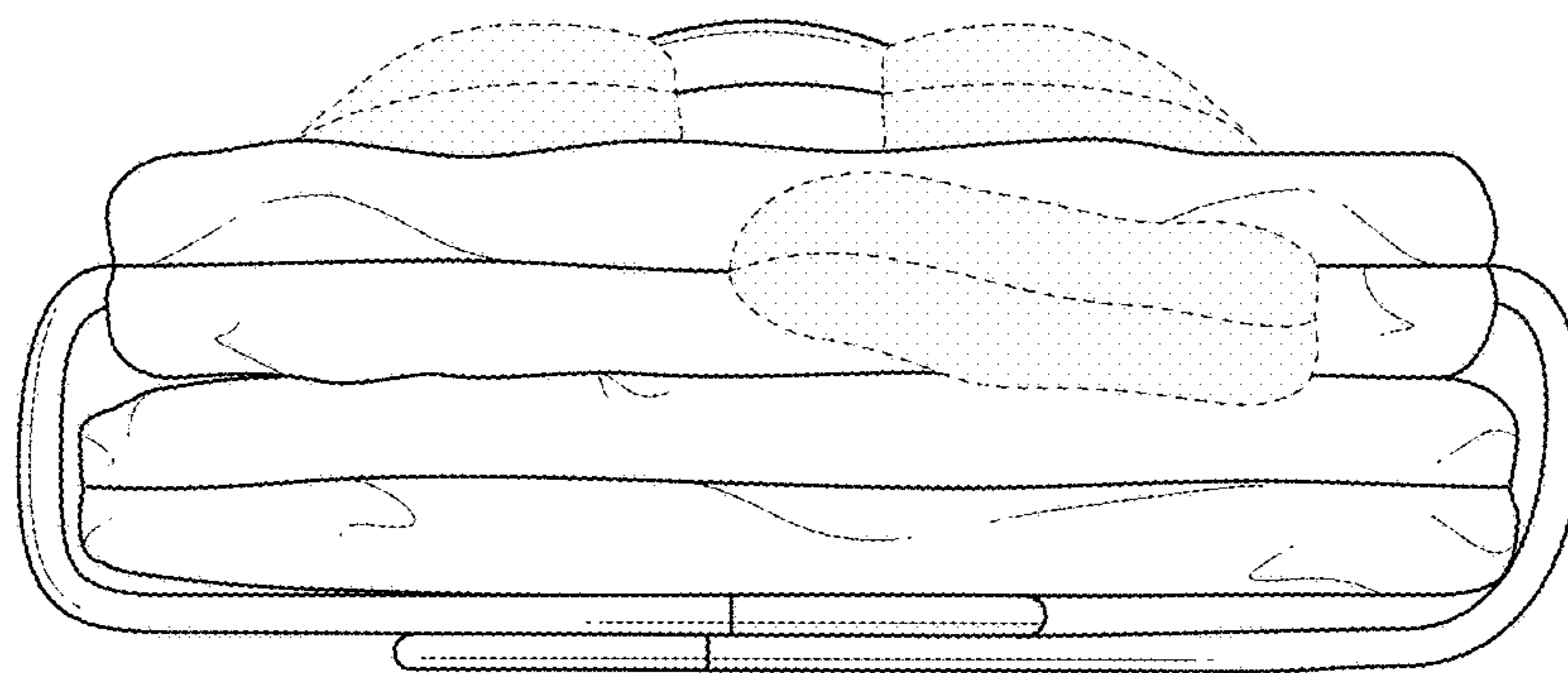


FIG. 3

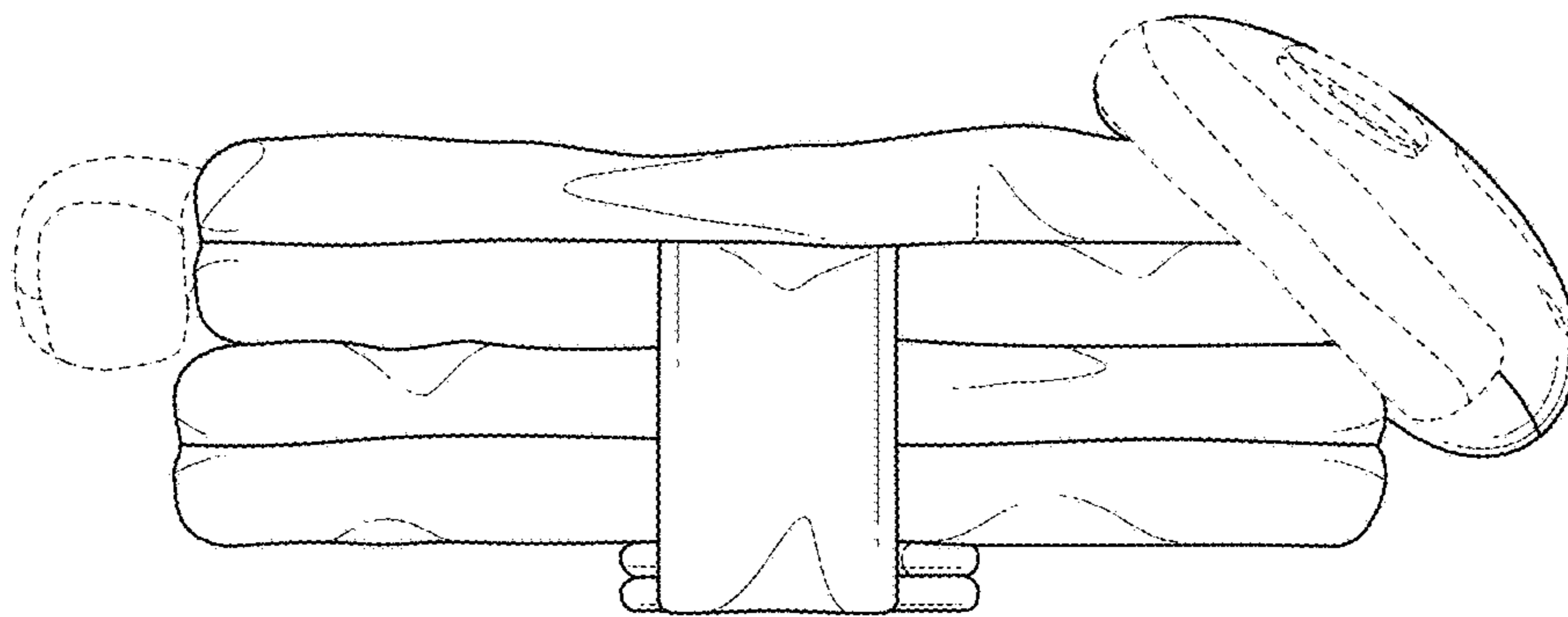


FIG. 4

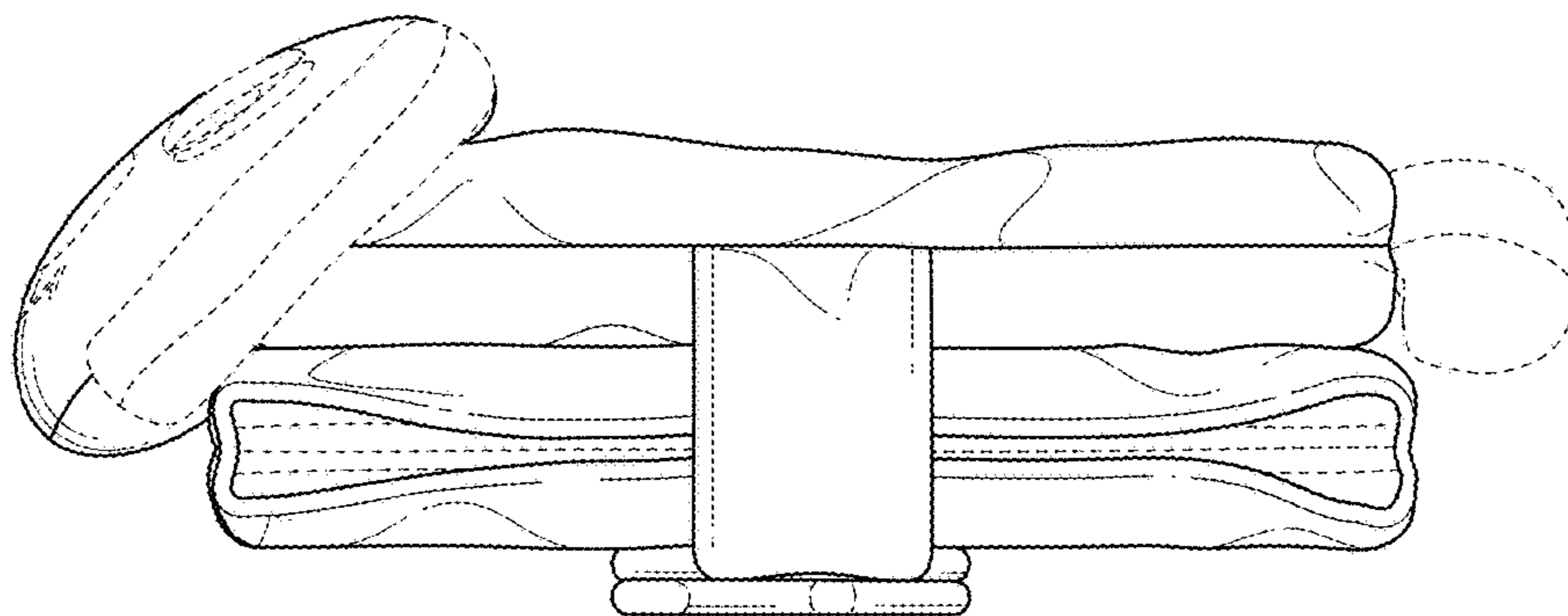


FIG. 5

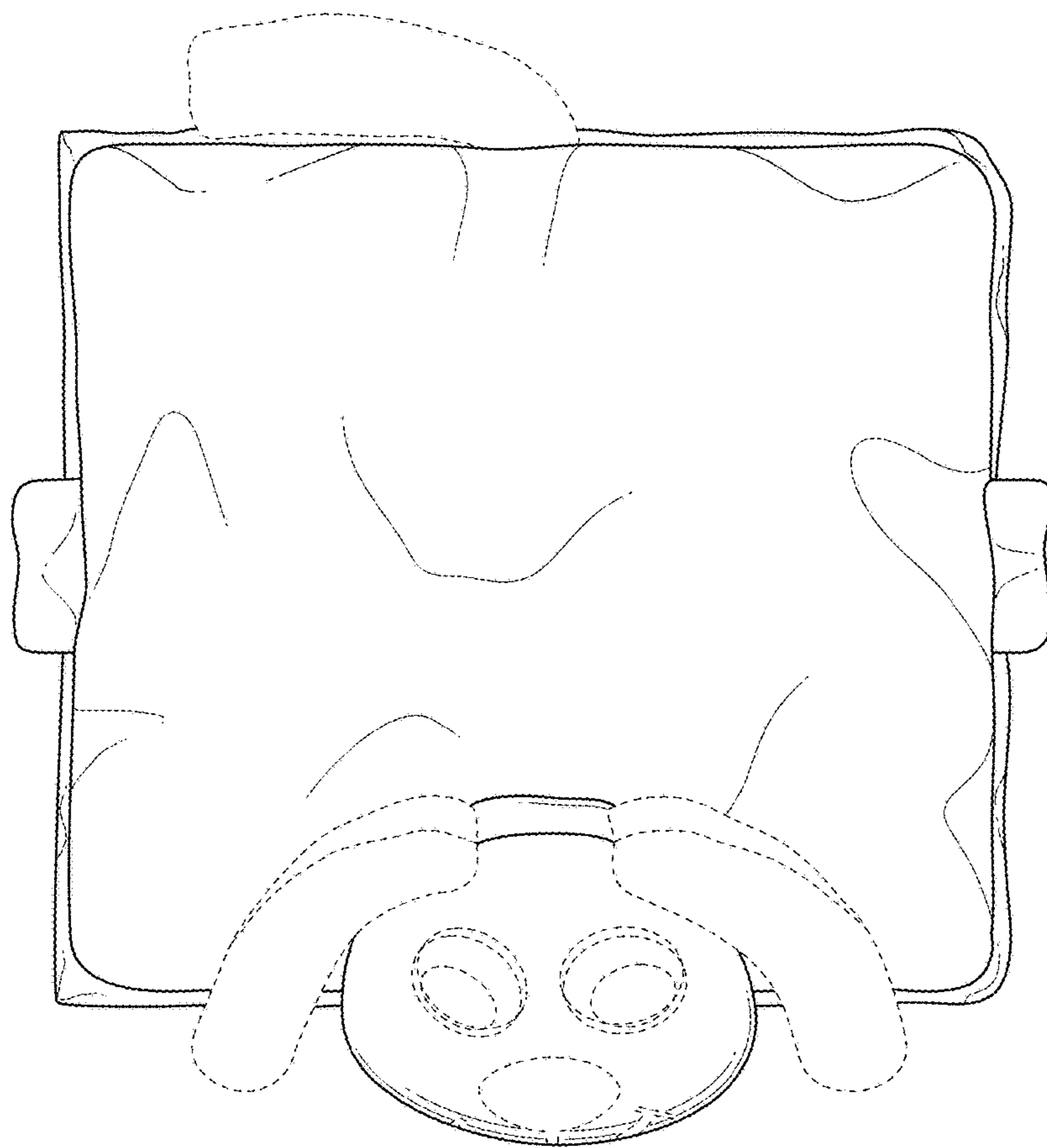


FIG. 6

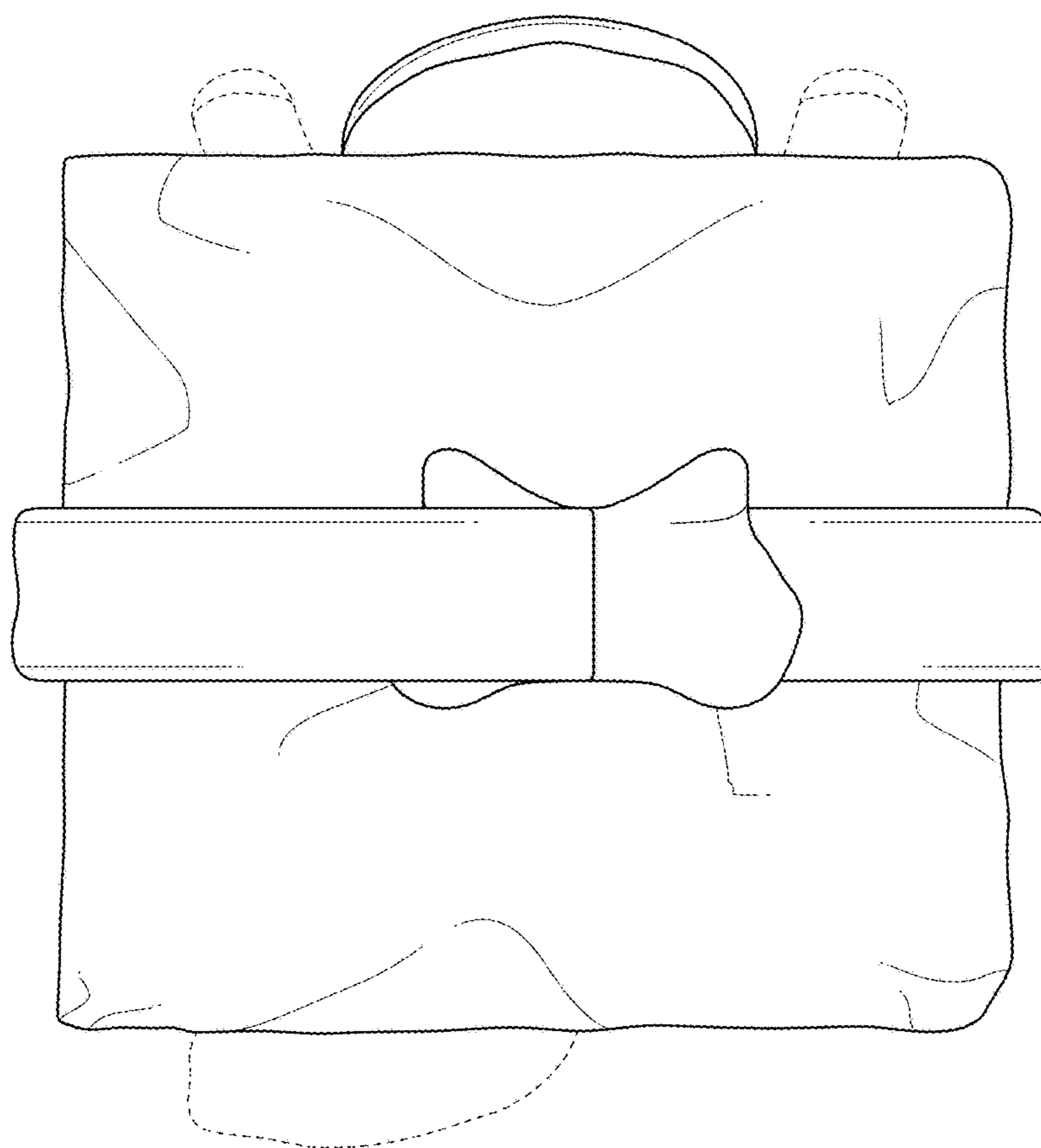


FIG. 7

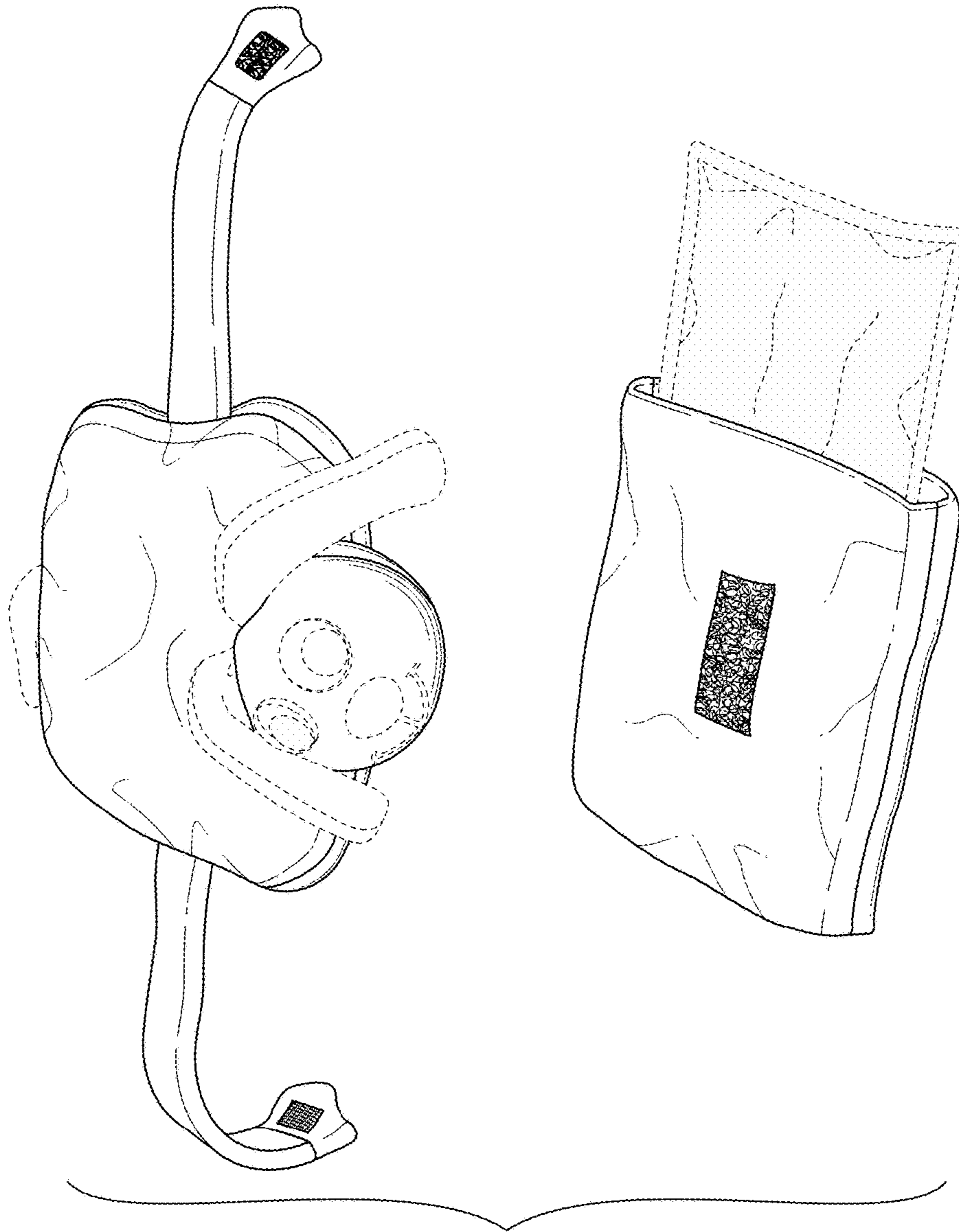


FIG. 8



FIG. 9