



US00D859668S

(12) **United States Design Patent**  
**Durfee**

(10) **Patent No.:** **US D859,668 S**

(45) **Date of Patent:** **\*\* Sep. 10, 2019**

- (54) **BACK ROLL SPINAL BRACE SUPPORT**
- (71) Applicant: **Eileen Durfee**, Kennewick, WA (US)
- (72) Inventor: **Eileen Durfee**, Kennewick, WA (US)
- (\*\*) Term: **15 Years**
- (21) Appl. No.: **29/619,829**
- (22) Filed: **Oct. 2, 2017**
- (51) **LOC (12) Cl.** ..... **24-04**
- (52) **U.S. Cl.**  
USPC ..... **D24/190; D21/662**
- (58) **Field of Classification Search**  
USPC ..... D24/188, 190–192, 200, 211, 215;  
D21/662  
CPC ..... A47C 7/425; A47C 20/027; A47C 7/46;  
A47C 16/00; A47C 20/026; A47C  
27/081; A47C 27/10; A47C 7/383; A47C  
7/42; A61B 2017/0256  
See application file for complete search history.

- 8,252,024 B2 \* 8/2012 Bax ..... A61H 1/0292  
5/630
- 8,393,027 B2 \* 3/2013 Weisberg ..... A47G 9/109  
5/636
- D739,527 S \* 9/2015 Chauvette ..... D24/129
- D749,722 S \* 2/2016 Chauvette ..... D24/129
- D749,723 S \* 2/2016 Chauvette ..... D24/129
- D762,042 S \* 7/2016 Osenga ..... D1/106
- D781,429 S \* 3/2017 Westdyk ..... D24/183
- D783,815 S \* 4/2017 Lewis ..... D24/129
- D785,790 S \* 5/2017 Lewis ..... D24/129
- D815,747 S \* 4/2018 Kellock ..... B60N 2/80  
D24/190
- D821,600 S \* 6/2018 Chang ..... D24/215
- 2008/0280534 A1 \* 11/2008 Chandler ..... A45D 44/22  
450/59

\* cited by examiner

*Primary Examiner* — Jennifer L Watkins

(57) **CLAIM**

The ornamental design for a back roll spinal brace support, as shown and described.

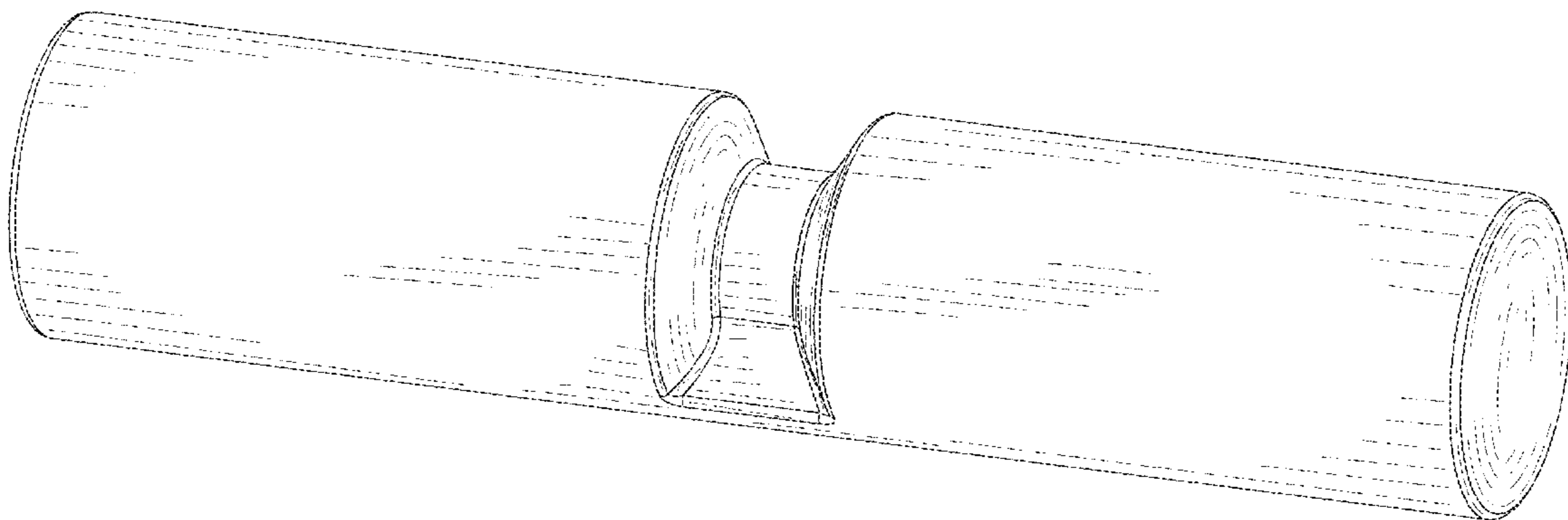
**DESCRIPTION**

FIG. 1 is a perspective view of a back roll spinal brace support;  
 FIG. 2 is a diametric view thereof;  
 FIG. 3 is a front elevational and a rear elevational thereof;  
 FIG. 4 a left elevational view and right elevational thereof;  
 FIG. 5 is a top elevational view thereof; and,  
 FIG. 6 is a bottom elevational view thereof.

**1 Claim, 6 Drawing Sheets**

(56) **References Cited**  
 U.S. PATENT DOCUMENTS

- D428,946 S \* 8/2000 Boorstein ..... D21/679
- D567,952 S \* 4/2008 Fink ..... D24/200
- D567,954 S \* 4/2008 Fink ..... D24/200
- D615,605 S \* 5/2010 Frasco ..... D21/682
- 7,887,568 B2 \* 2/2011 Ahlgren ..... A61F 2/4611  
606/279



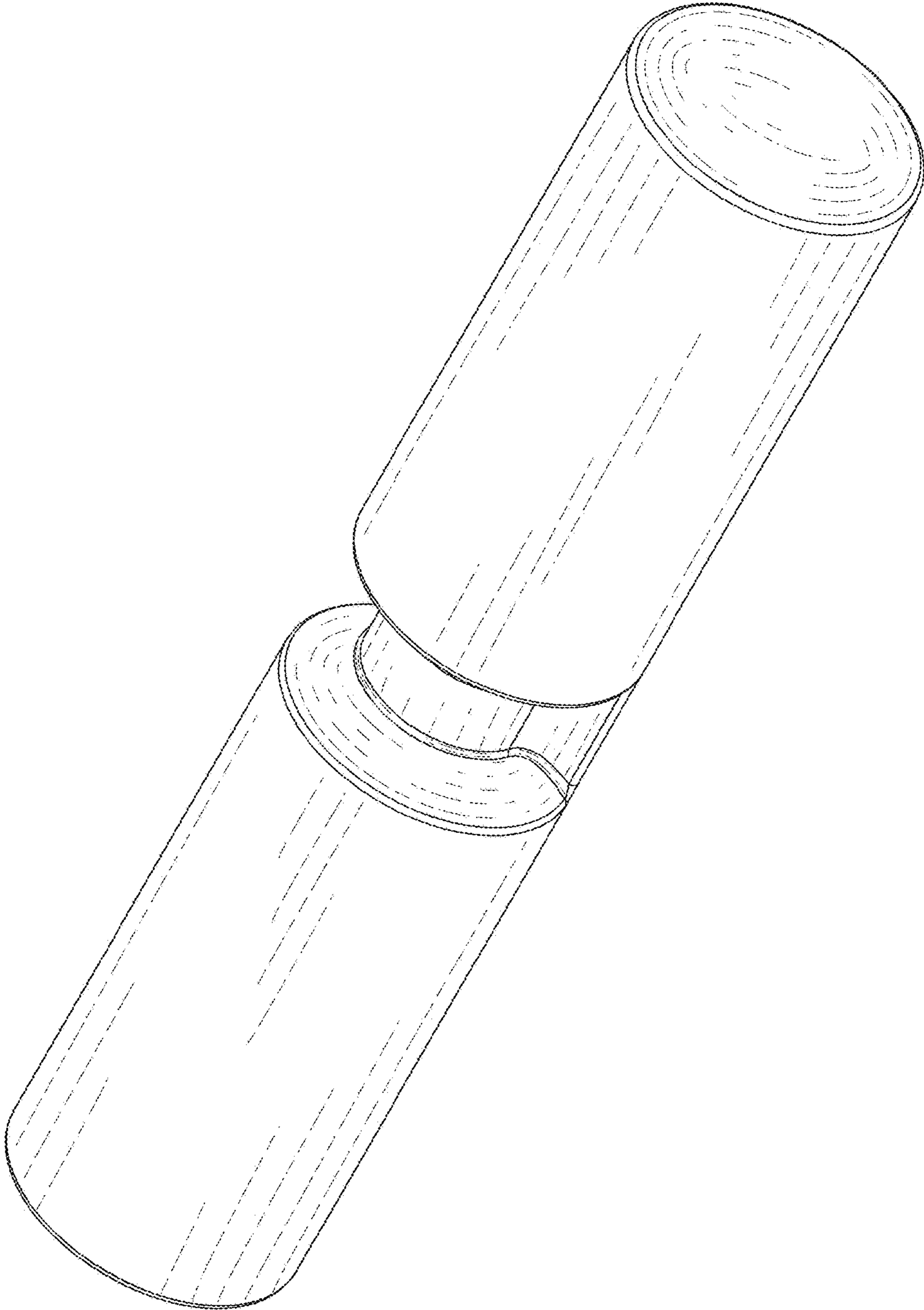


FIG. 1

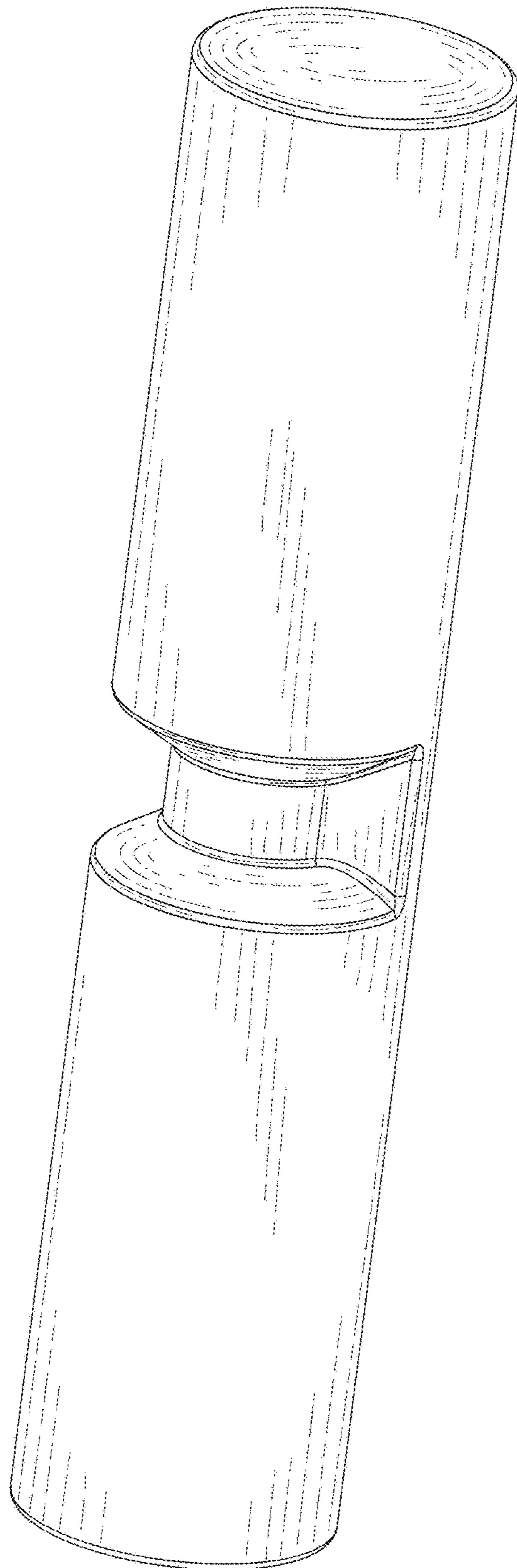


FIG. 2

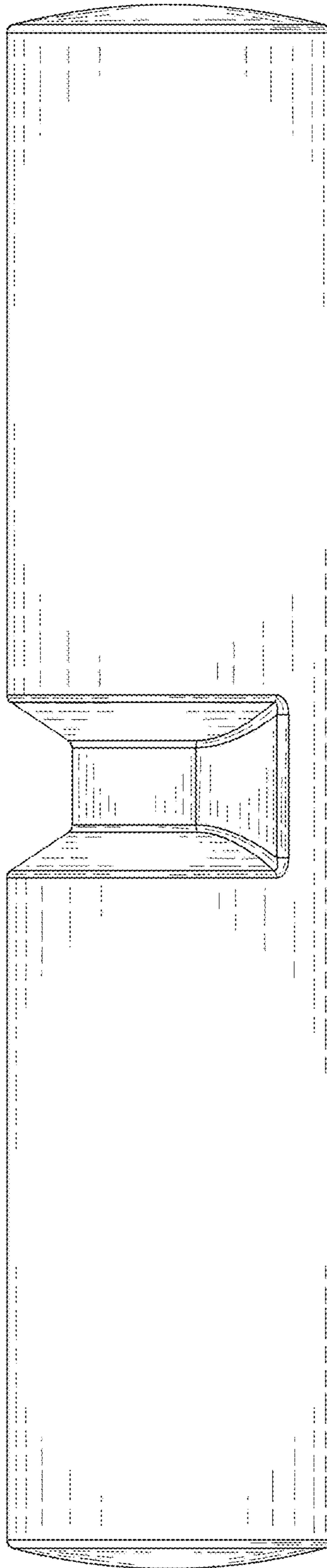


FIG. 3

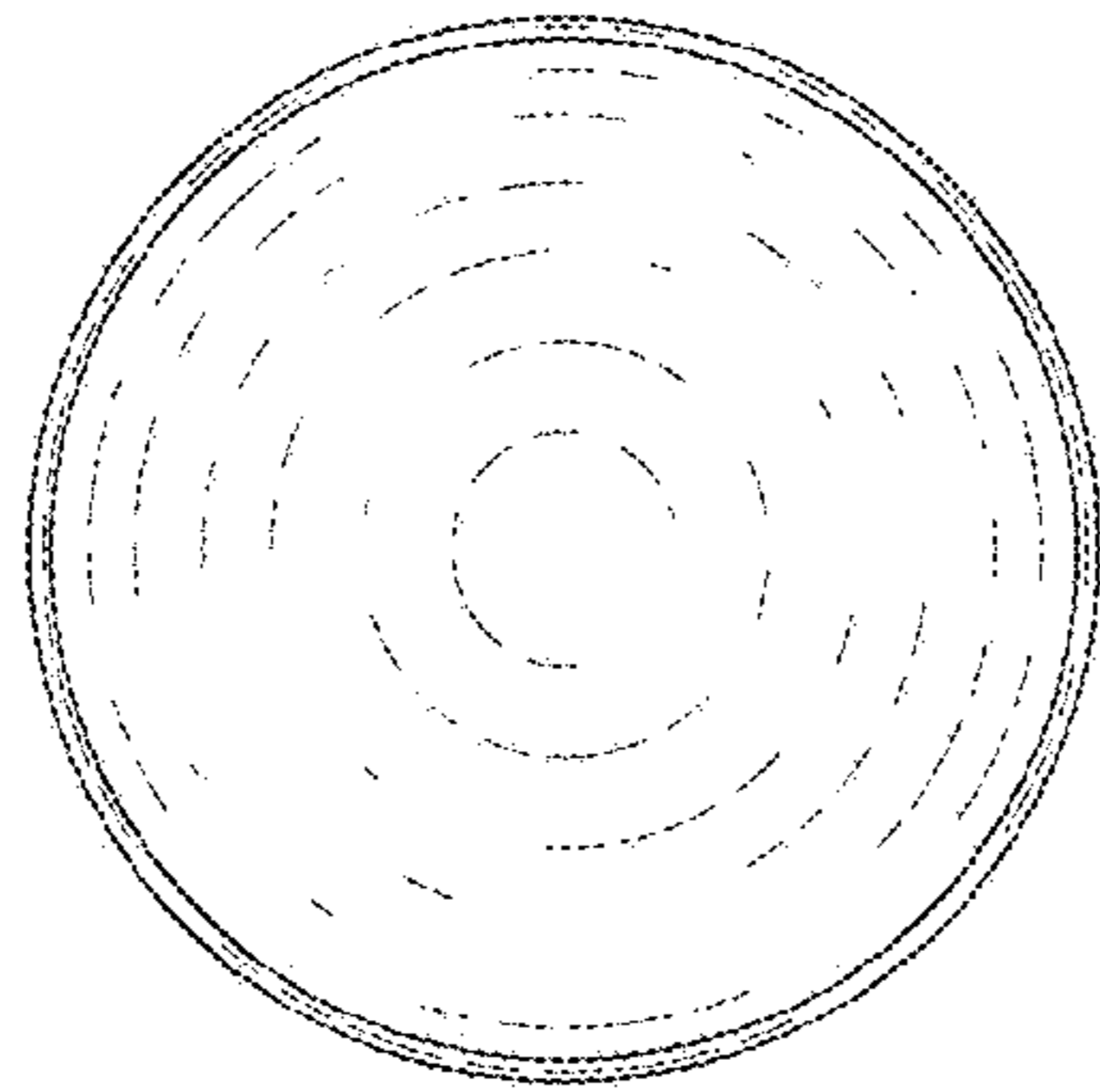


FIG. 4

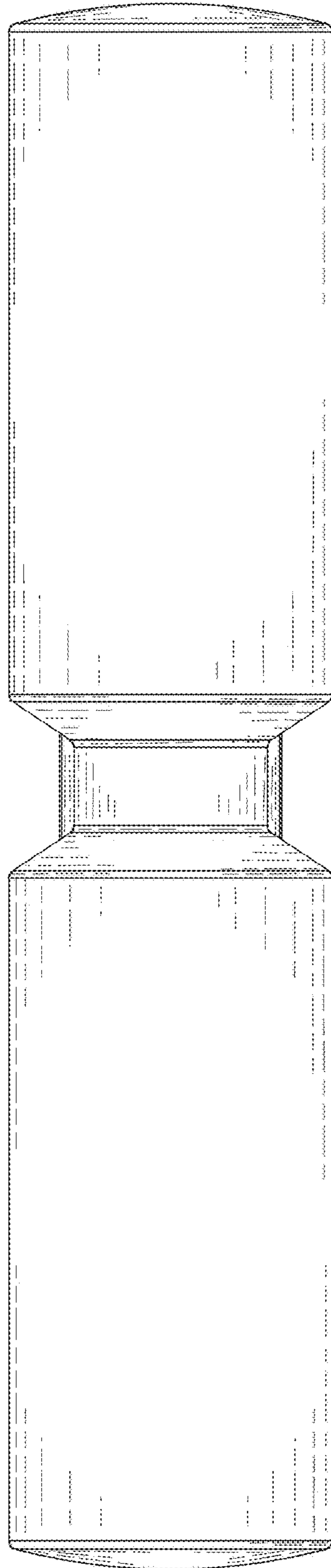


FIG. 5

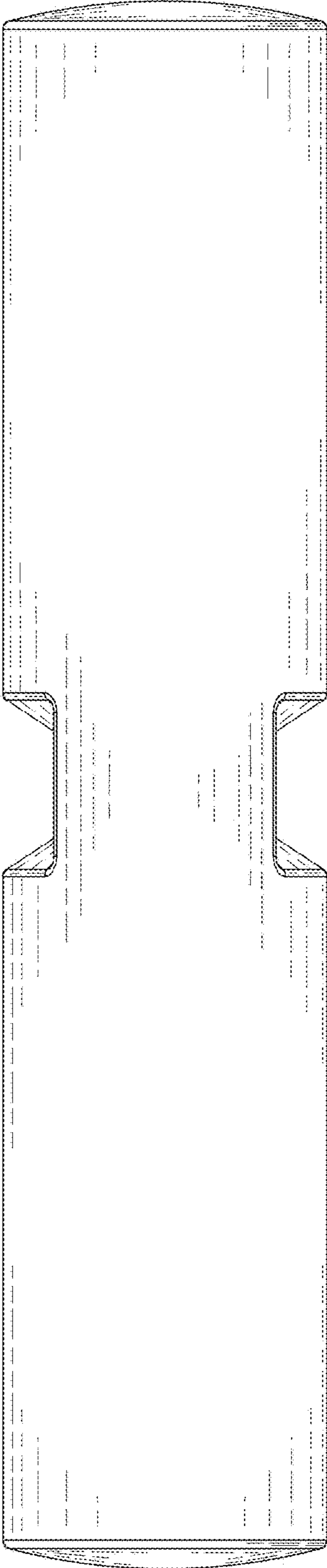


FIG. 6