



US00D859666S

(12) **United States Design Patent**
Gildersleeve et al.

(10) **Patent No.:** **US D859,666 S**

(45) **Date of Patent:** **** Sep. 10, 2019**

- (54) **ORTHOPEdic BRACE**
- (71) Applicant: **DJO, LLC**, Vista, CA (US)
- (72) Inventors: **Richard Gildersleeve**, Carlsbad, CA (US); **Ian Kovacevich**, Vista, CA (US); **Nick Gomez**, Vista, CA (US)
- (73) Assignee: **DJO, LLC**, Vista, CA (US)
- (**) Term: **15 Years**
- (21) Appl. No.: **29/581,061**
- (22) Filed: **Oct. 14, 2016**
- (51) **LOC (12) Cl.** **24-02**
- (52) **U.S. Cl.**
USPC **D24/190**
- (58) **Field of Classification Search**
USPC D24/189, 190, 191, 192; 602/7, 16, 23, 602/27, 28, 56, 60, 61, 62, 65, 66; D29/120.1, 121.2
CPC A61F 5/0106; A61F 5/0118; A61F 5/0104; A61F 5/0109; A61F 5/0111; A61F 5/0102; A61F 5/0123; A61F 5/05841
See application file for complete search history.

- 8,162,867 B2 * 4/2012 Nordt, III A61F 5/0104 602/20
- 8,337,442 B2 * 12/2012 Hess A61F 5/0111 128/882
- 2005/0020951 A1 * 1/2005 Gaylord A61F 5/0109 602/26
- 2014/0276302 A1 * 9/2014 Gildersleeve A61F 5/0123 602/16
- 2015/0057588 A1 * 2/2015 Eriksson A61F 5/0104 602/20

* cited by examiner

Primary Examiner — Cathron C Brooks

Assistant Examiner — Samantha Q Lawrence

(74) *Attorney, Agent, or Firm* — Knobbe Martens Olson & Bear LLP

(57) **CLAIM**

The ornamental design for an orthopedic brace, as shown and described.

DESCRIPTION

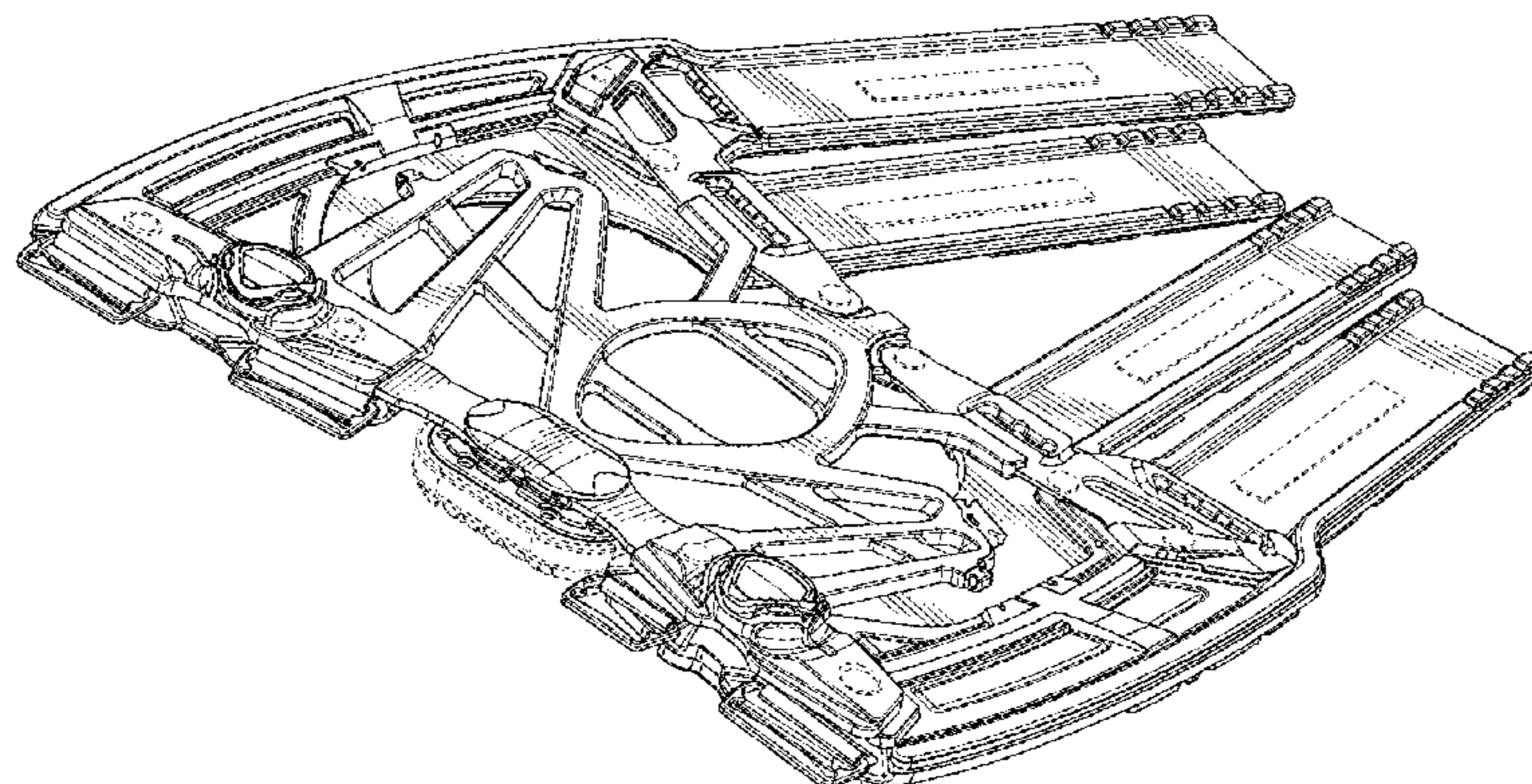
FIG. 1 is a top perspective view of an embodiment of an orthopedic brace in accordance with the present invention. FIG. 2 is a bottom perspective view of the orthopedic brace of FIG. 1. FIG. 3 is a bottom view of the orthopedic brace of FIG. 1. FIG. 4 is a top view of the orthopedic brace of FIG. 1. FIG. 5 is a right side view of the orthopedic brace of FIG. 1. FIG. 6 is a left side view of the orthopedic brace of FIG. 1. FIG. 7 is a front side view of the orthopedic brace of FIG. 1; and, FIG. 8 is a rear side view of the orthopedic brace of FIG. 1. The broken lines shown in FIGS. 1-8 illustrate portions of the orthopedic brace that form no part of the claimed design.

1 Claim, 8 Drawing Sheets

(56) **References Cited**

U.S. PATENT DOCUMENTS

- 5,248,292 A * 9/1993 Holland A61F 5/05841 602/20
- D360,263 S * 7/1995 Holland D24/190
- 7,615,019 B2 * 11/2009 Nordt, III A41D 13/05 602/16
- 7,615,027 B2 * 11/2009 Nordt, III A41D 13/05 602/19
- 7,670,306 B2 * 3/2010 Nordt, III A41D 13/05 602/20
- 7,708,708 B2 * 5/2010 Nordt, III A61F 5/0106 602/20



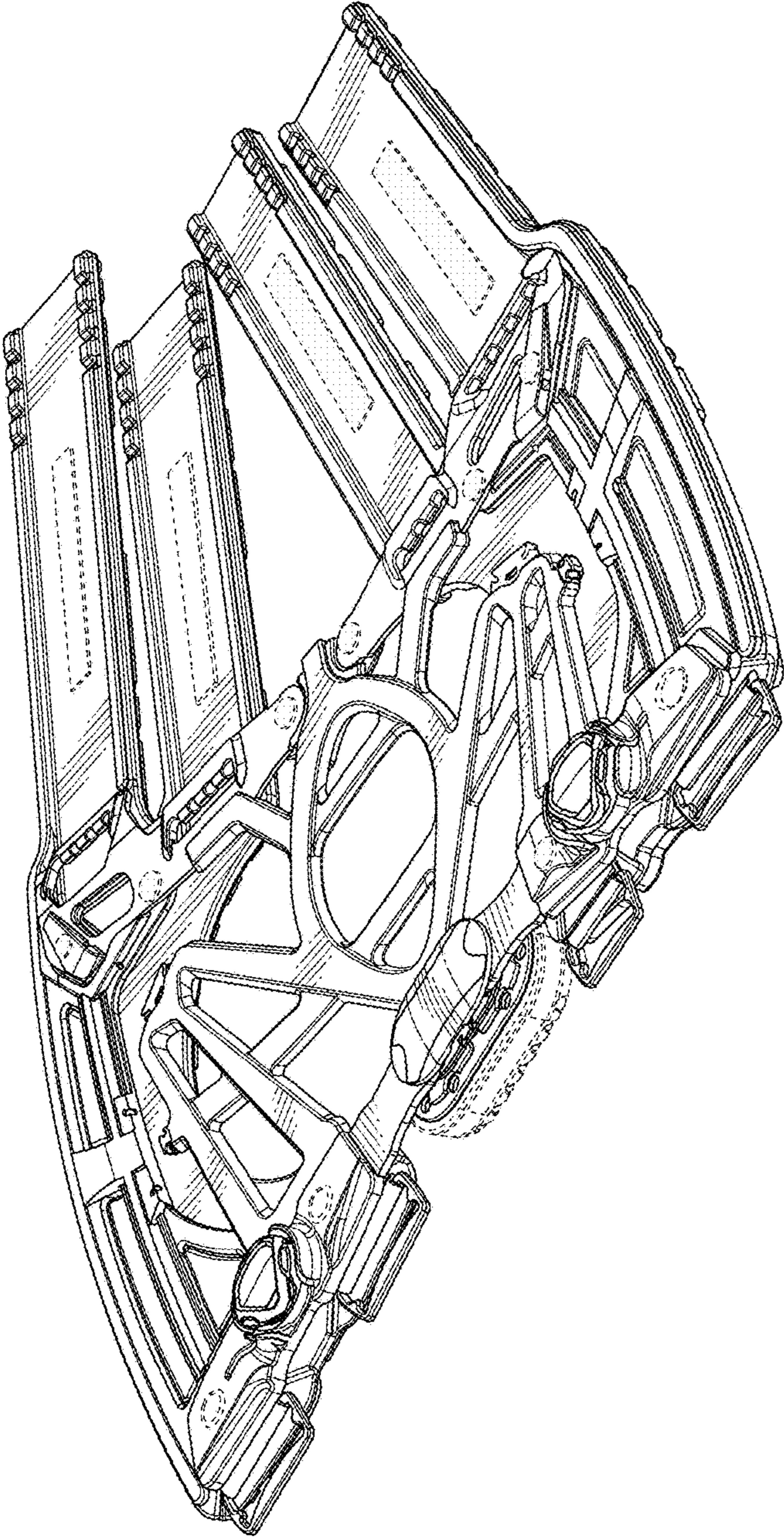


FIG. 1

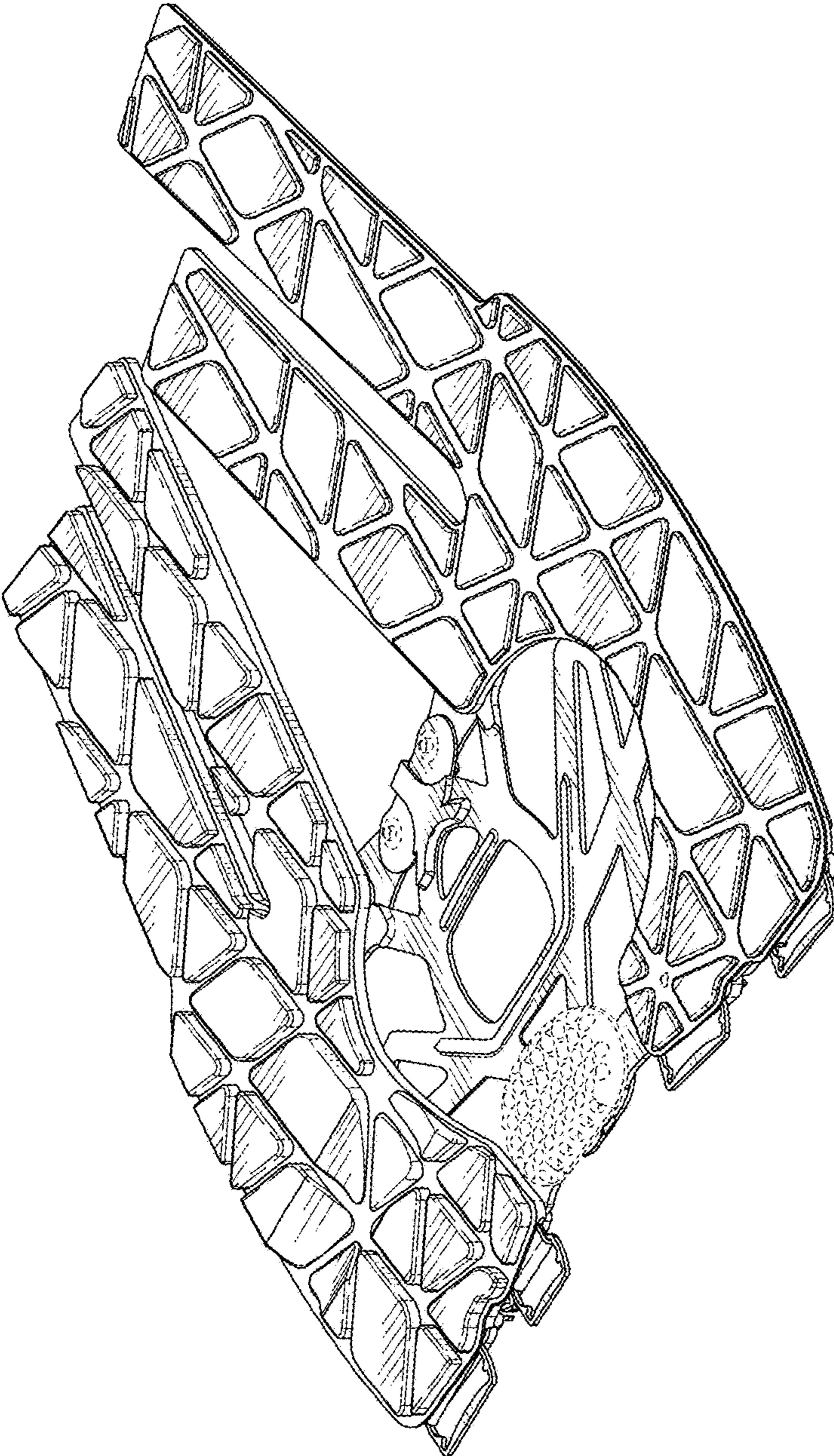


FIG. 2

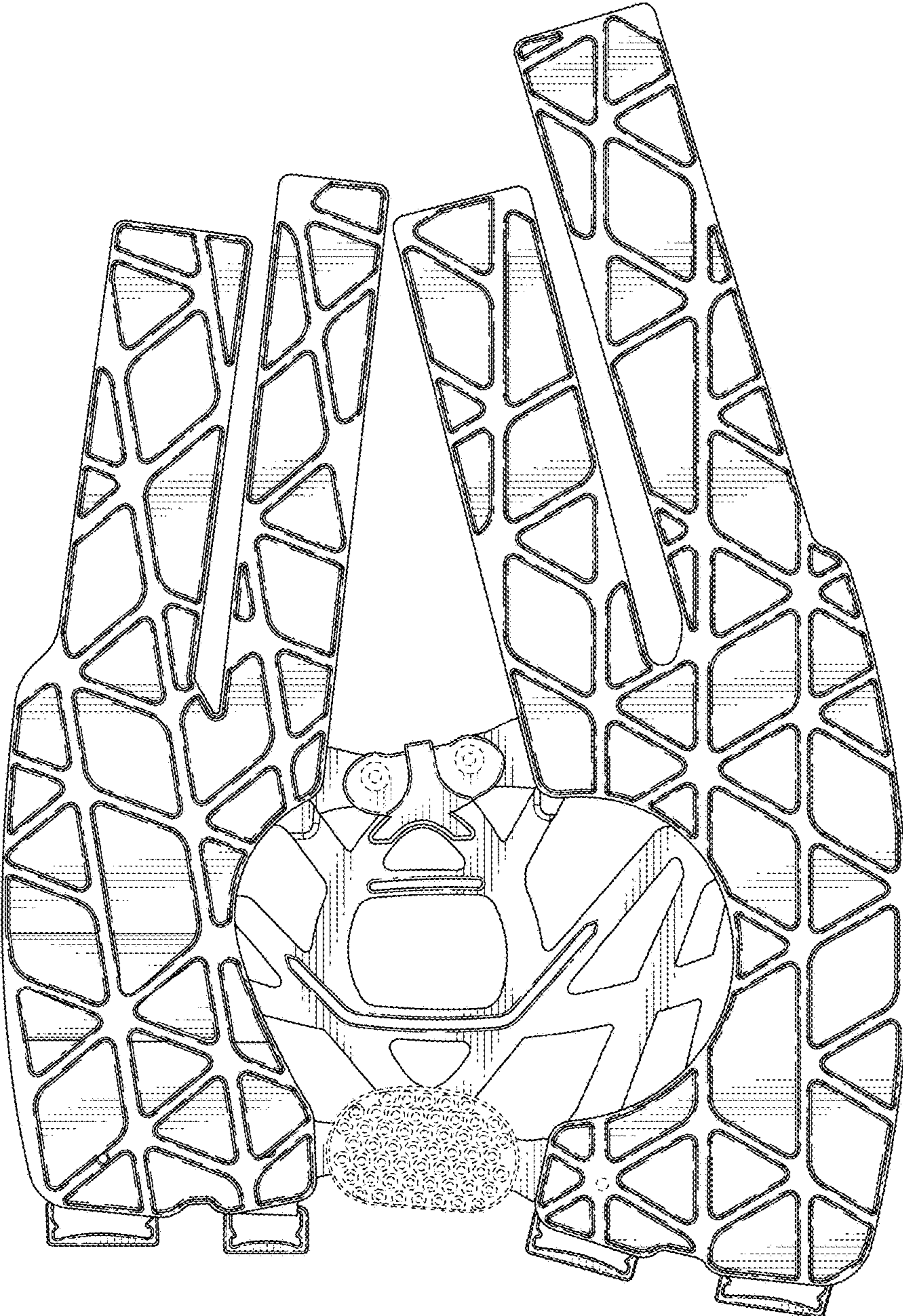


FIG. 3

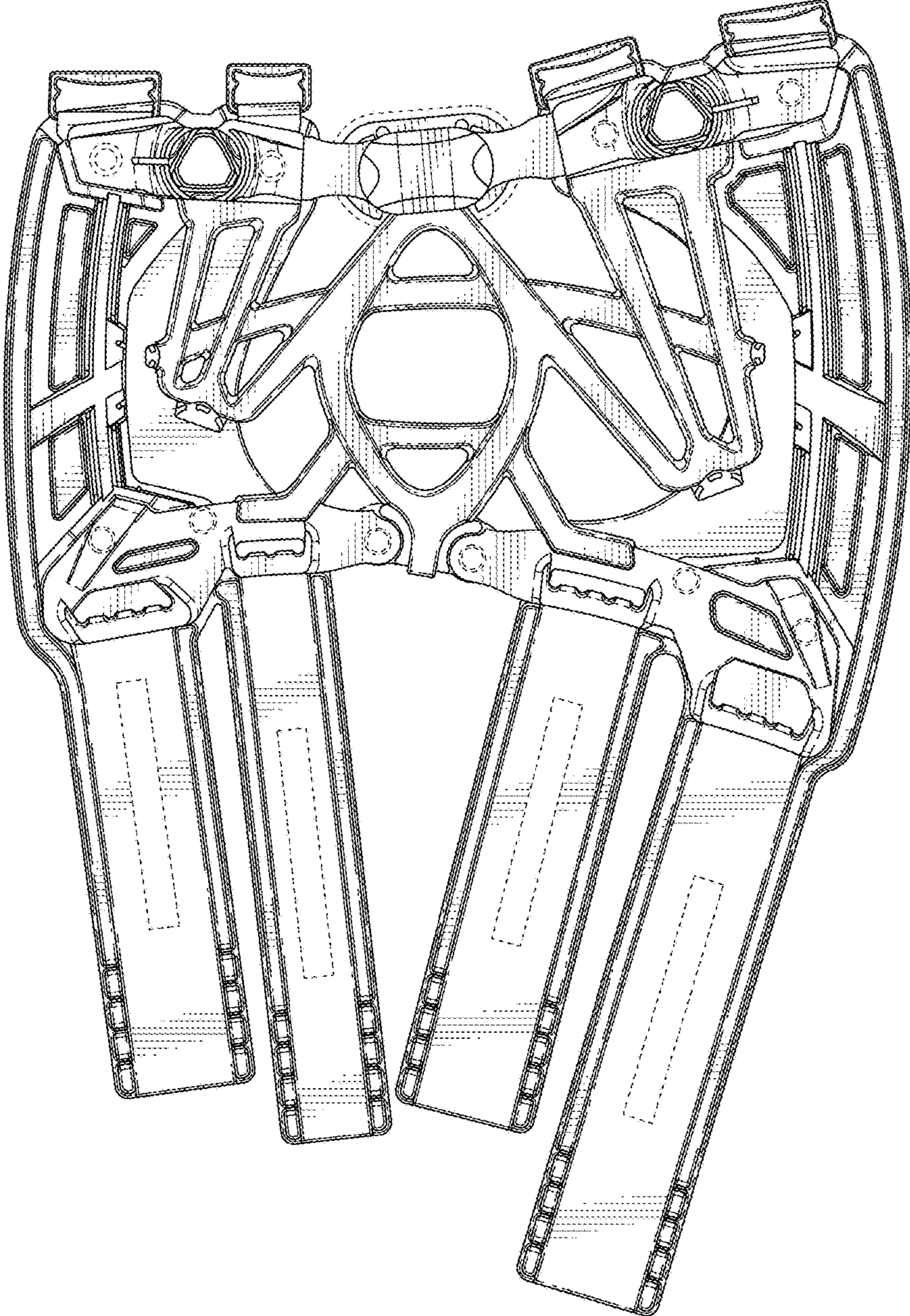


FIG. 4

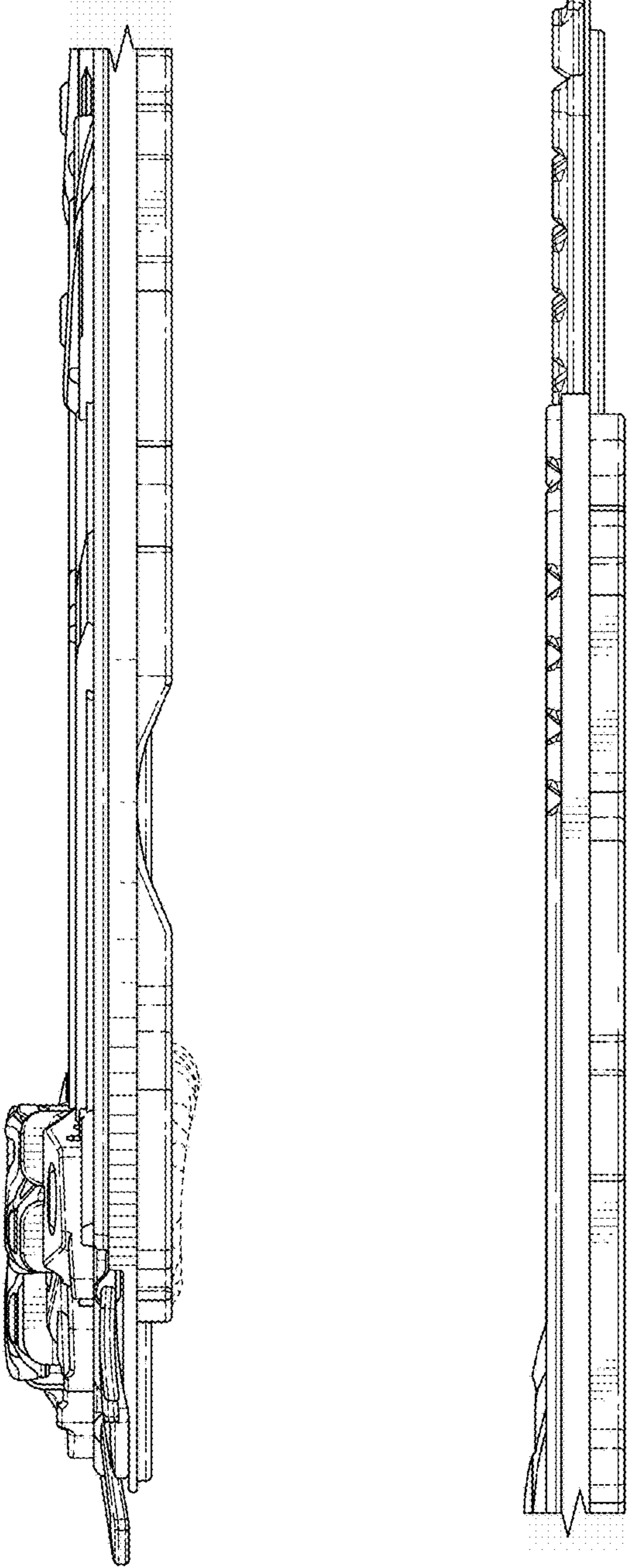


FIG. 5

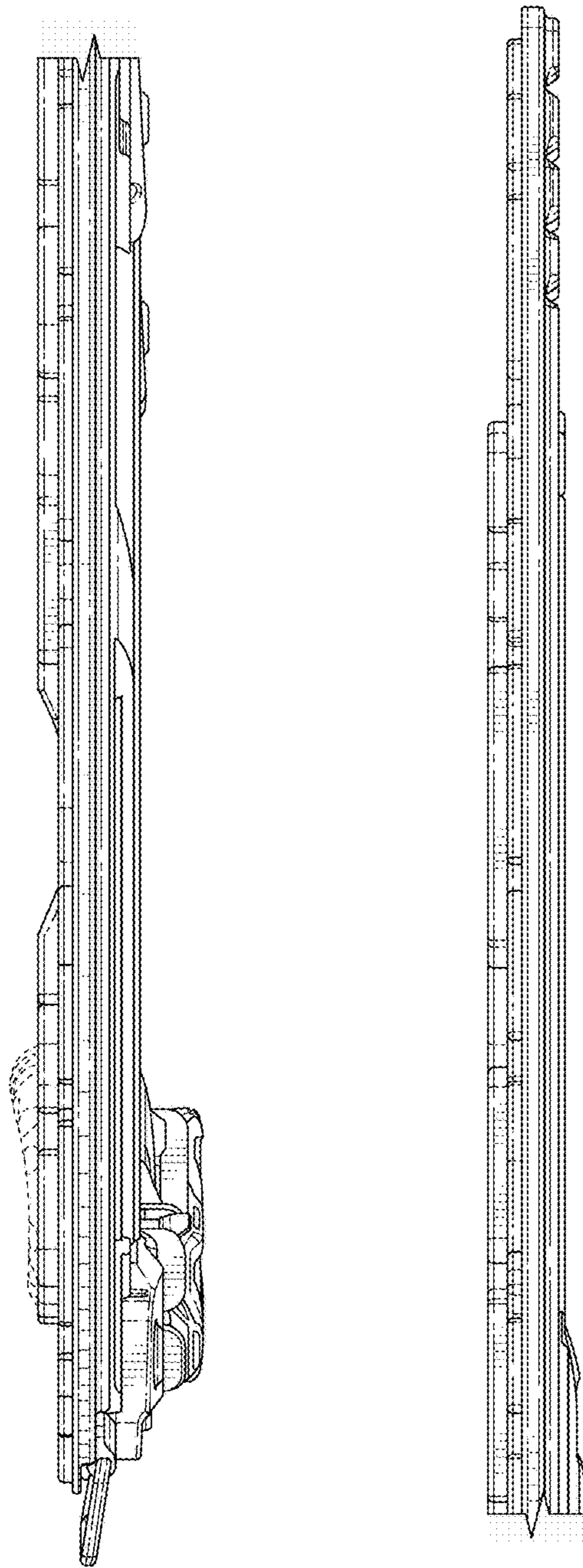


FIG. 6

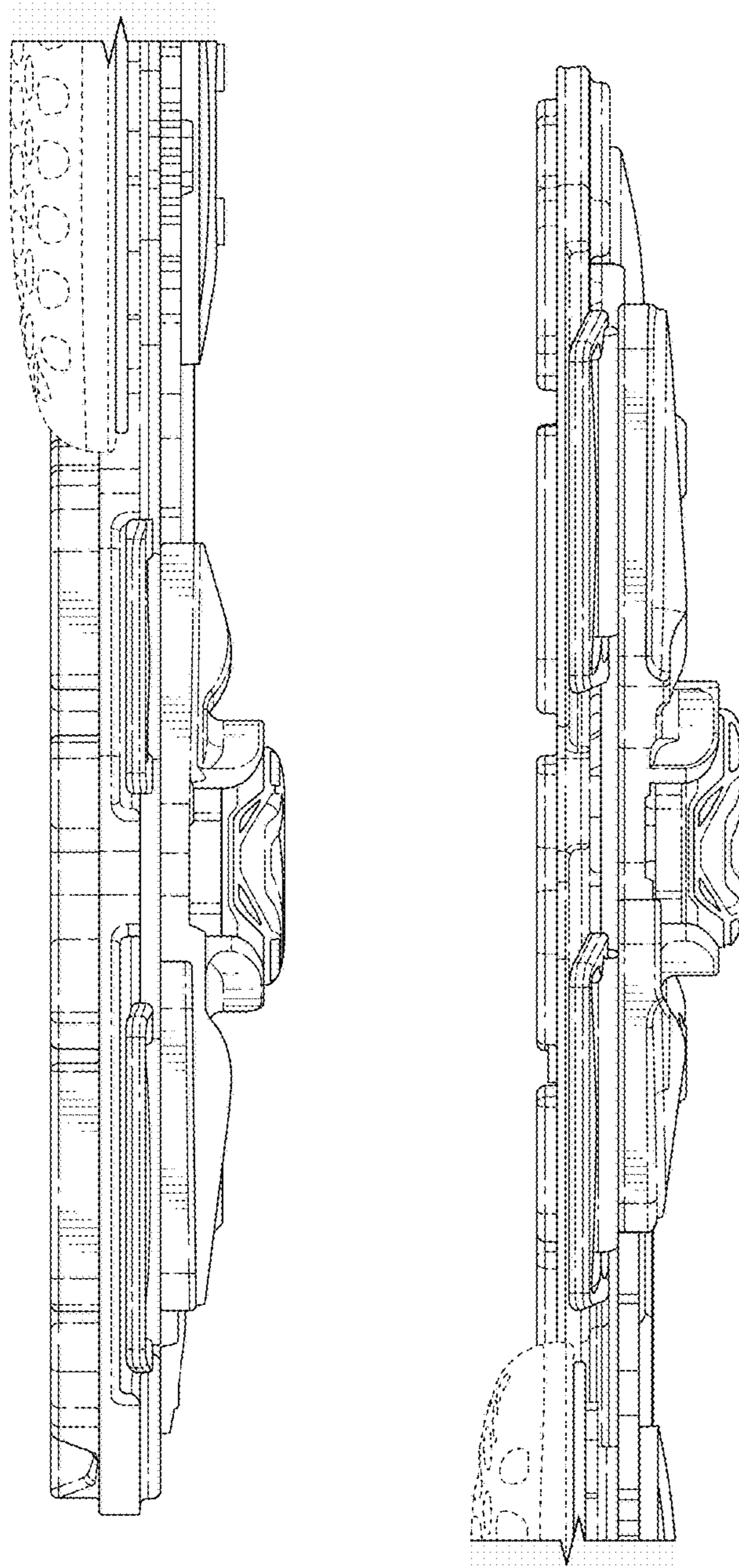


FIG. 7

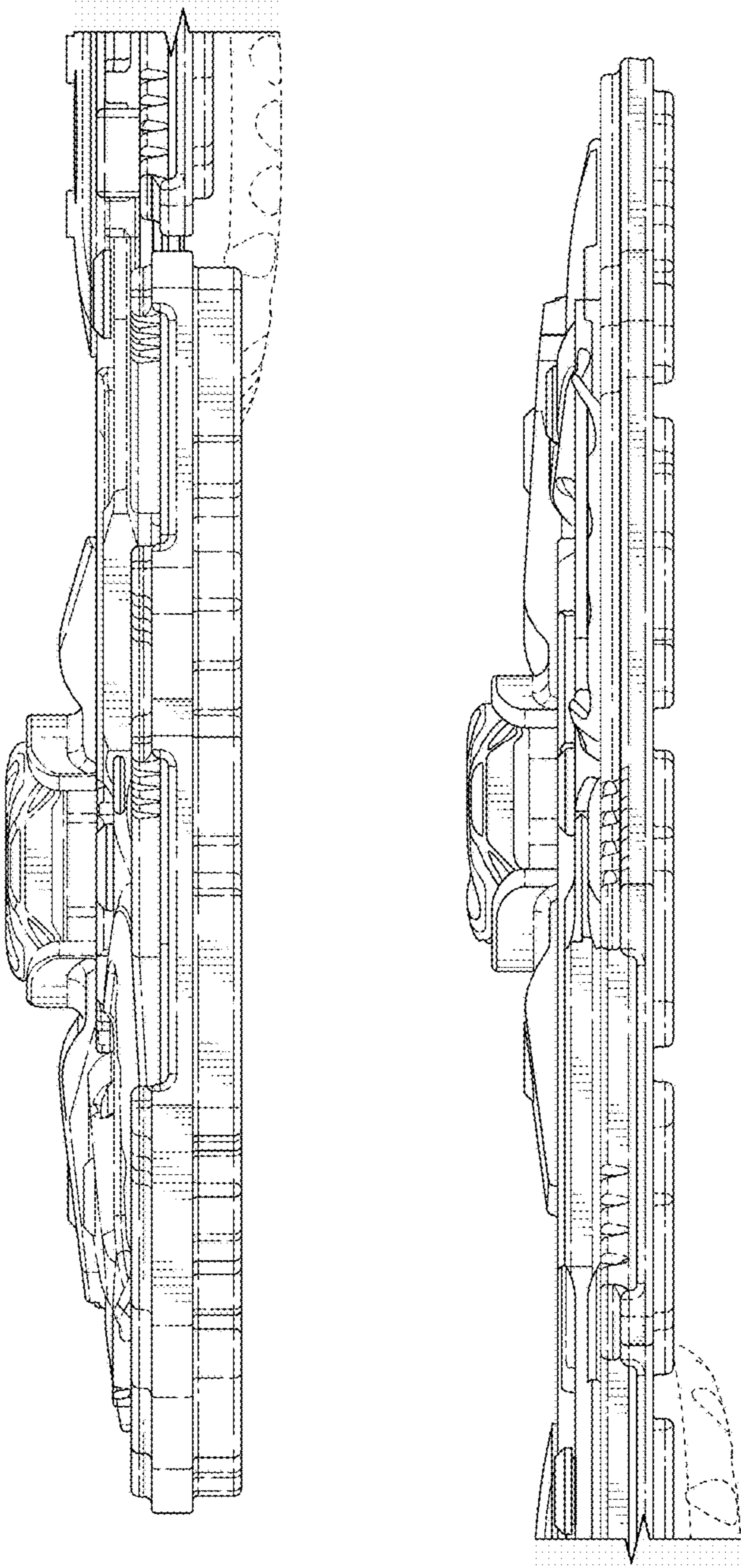


FIG. 8