



US00D859664S

(12) **United States Design Patent** (10) **Patent No.:** **US D859,664 S**
Dennewald (45) **Date of Patent:** **** *Sep. 10, 2019**

- (54) **ORTHOTIC DEVICE** 7/383; A47C 7/425; A47C 7/46; A47D 13/08; A47D 15/006; A47D 15/008; A47G 9/007; A47G 9/0253; A47G 9/10; A47G 9/1009; A47G 9/1027; A47G 9/1036; A47G 9/1045; A47G 9/1054; A47G 9/1072; A47G 9/1081; A47G 9/109; A61B 6/0421; A61F 5/01; A61F 5/0118; A61F 5/012; A61F 5/04; A61F 5/055; A61F 5/0585; A61F 5/30; A61F 5/56; A61G 13/12; A61G 13/121; A61G 7/05715; A61G 7/065; A61G 7/07; A61G 7/072; A61G 7/0755; A61H 1/008; A61H 1/0218; A61H 1/0292; A63B 21/00047
- (71) Applicant: **Denneroll Holdings Pty Limited**, Cromer (AU)
- (72) Inventor: **Adrian Dennewald**, Cromer (AU)
- (73) Assignee: **Denneroll Holdings Pty Ltd**, Cromer, NSW (AU)
- (*) Notice: This patent is subject to a terminal disclaimer.
- (**) Term: **15 Years**

See application file for complete search history.

(21) Appl. No.: **29/540,145**

(22) Filed: **Sep. 21, 2015**

(56) **References Cited**

U.S. PATENT DOCUMENTS

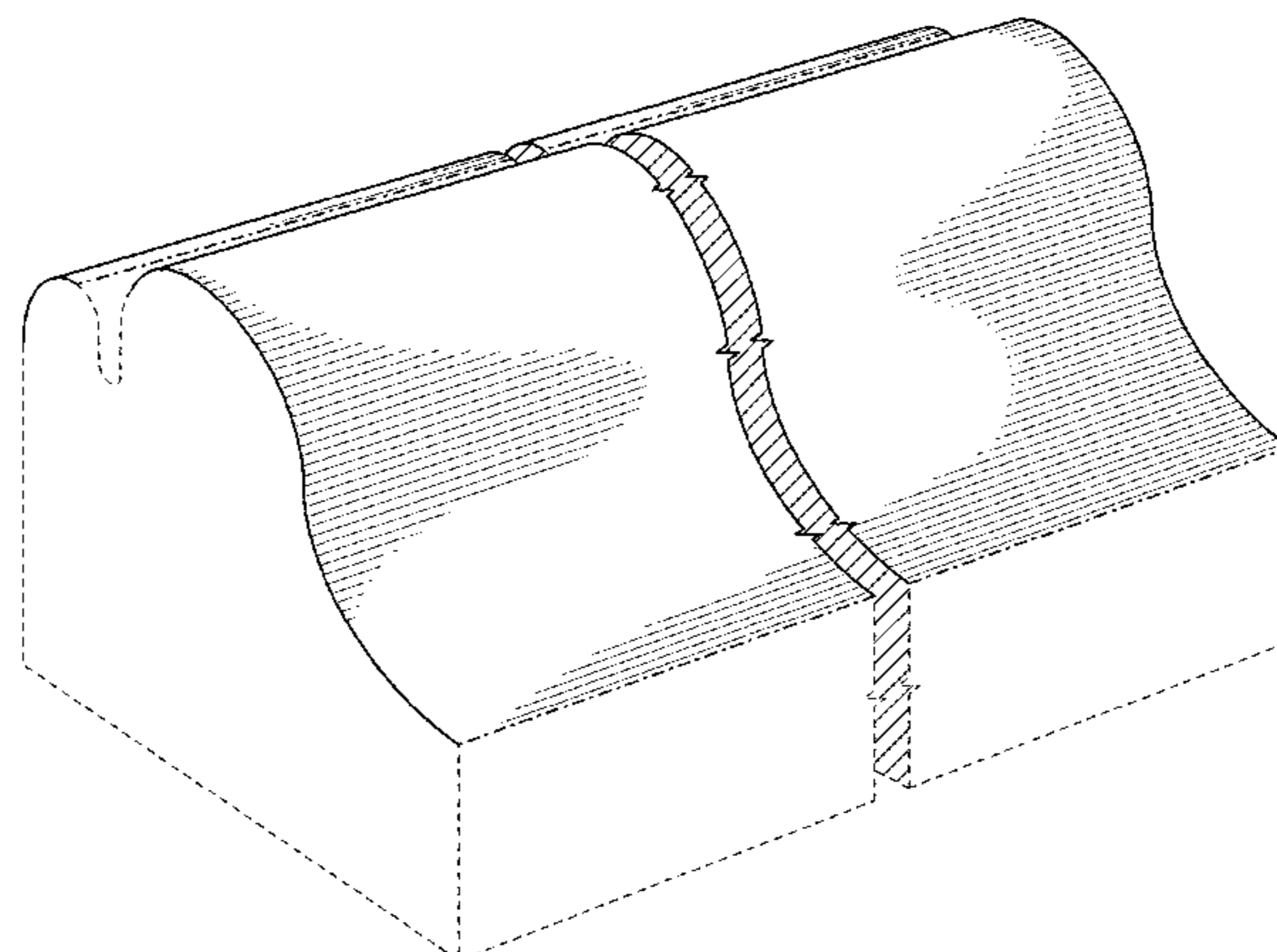
- Related U.S. Application Data**
- (60) Continuation-in-part of application No. 12/469,547, filed on May 19, 2009, now Pat. No. 9,186,004, which is a division of application No. 11/524,560, filed on Sep. 21, 2006, now abandoned.

- (30) **Foreign Application Priority Data**
- Sep. 23, 2005 (AU) 2005905264

- (51) **LOC (12) Cl.** **24-01**
- (52) **U.S. Cl.**
USPC **D24/183**

- (58) **Field of Classification Search**
USPC D24/183-184, 188, 190, 200, 211; D6/601, 596, 604; 5/490, 603, 630, 5/632-633, 636-640, 643-645, 648, 650, 5/653-655, 657, 722, 727, 736; 128/845; 297/219.1, 391, 393, 397, 118; 602/13, 602/18; D21/662; D25/119, 136
CPC A47C 16/02; A47C 20/021; A47C 20/027; A47C 20/23; A47C 20/25; A47C 20/26; A47C 20/27; A47C 27/00; A47C 27/001; A47C 27/081; A47C 27/086; A47C 27/144; A47C 27/146; A47C 4/54; A47C 7/021; A47C 7/022; A47C 7/38; A47C

2,700,779 A	2/1955	Tolkowsky	
2,835,905 A	5/1958	Tomasson	
2,880,428 A	4/1959	Forsland	
D215,536 S	* 10/1969	Larsen	D6/601
3,648,308 A	3/1972	Greenawalt	
3,829,917 A	8/1974	De Laittre et al.	
3,842,453 A	10/1974	Redfield	
D241,104 S	8/1976	Copeland	
D254,029 S	1/1980	Barbagallo	
4,218,792 A	8/1980	Kogan	
4,424,599 A	1/1984	Hannouche	
D276,938 S	12/1984	Pedersen	
4,494,261 A	1/1985	Morrow	
4,550,459 A	11/1985	Endel et al.	
4,679,263 A	7/1987	Honer	
4,754,513 A	7/1988	Rinz	
4,756,090 A	7/1988	Pedrow	
4,759,089 A	7/1988	Fox	
4,777,678 A	10/1988	Moore	
4,805,603 A	2/1989	Cumberland	
4,821,355 A	4/1989	Burkhardt	
4,829,614 A	5/1989	Harper	
4,832,007 A	5/1989	Davis, Jr. et al.	
4,916,765 A	4/1990	Castronovo, Jr.	
4,928,335 A	5/1990	Pedrow	
D310,609 S	9/1990	Burkhardt	
4,956,886 A	9/1990	Sarkozi	
D314,685 S	* 2/1991	Hudson	D6/601
D317,840 S	7/1991	Jagdat	
5,123,132 A	6/1992	Dixon	
5,127,120 A	7/1992	Mason	



US D859,664 S

Page 2

D328,682 S * 8/1992 Carney D6/601
D330,432 S * 10/1992 Weirnerman D25/119
D334,107 S 3/1993 Johnson
5,237,714 A 8/1993 Baron
5,279,310 A 1/1994 Hsien
5,457,832 A 10/1995 Tatum
5,481,771 A 1/1996 Burk, IV
D370,821 S 6/1996 Mata
5,630,651 A 5/1997 Fishbane
5,644,809 A * 7/1997 Olson A47G 9/10
5/636
5,662,597 A 9/1997 Chitwood
5,682,633 A * 11/1997 Davis A47G 9/1081
5/636
5,694,726 A 12/1997 Wu
5,727,267 A 3/1998 Keilhauer
5,797,154 A 8/1998 Contreras
D400,386 S 11/1998 Keilhauer
D400,387 S 11/1998 Denney
D404,238 S 1/1999 Keilhauer
D405,854 S 2/1999 Grant
D410,744 S 6/1999 Banister
5,916,185 A 6/1999 Chitwood
D417,579 S * 12/1999 Tarquinio D6/601
6,000,401 A 12/1999 Herrick
6,230,348 B1 * 5/2001 Patrikakis A47C 7/383
5/636
D444,980 S * 7/2001 Mowat 5/636
D447,253 S 8/2001 Gardner
6,270,155 B1 * 8/2001 Rashid A47C 3/16
5/657
D447,577 S 9/2001 Gardner
D448,228 S * 9/2001 Davis D6/601
6,324,710 B1 * 12/2001 Hernandez A47C 20/026
5/630
6,345,401 B1 2/2002 Frydman
D454,180 S 3/2002 Wessels
6,381,784 B1 5/2002 Davis et al.
6,446,288 B1 9/2002 Pi
6,471,726 B2 10/2002 Wang
D480,484 S 10/2003 Kakhiani
D484,618 S 12/2003 Kakhiani
D486,247 S 2/2004 Eichner et al.
6,704,957 B2 3/2004 Rhodes
D491,282 S 6/2004 Kakhiani
6,751,818 B2 6/2004 Troop
6,817,049 B1 11/2004 Hall
D499,816 S 12/2004 Eichner et al.
D510,631 S 10/2005 Hsu
7,013,512 B1 3/2006 Hsu
D521,301 S 5/2006 Dickson
7,082,633 B1 8/2006 Maarbjerg
D555,741 S * 11/2007 Wachtfogel D21/662
D573,830 S 7/2008 Kalatsky
7,421,749 B2 * 9/2008 Herschel A61G 7/065
5/630
D595,527 S 7/2009 Carter
D597,743 S 8/2009 Skinner
D608,102 S * 1/2010 Kemm D6/361
D618,354 S 6/2010 Francucci et al.
D634,961 S * 3/2011 Lowery D6/601
D637,030 S 5/2011 Khandai
D651,368 S 12/2011 Seliskar et al.
D664,256 S 7/2012 Dennewald
D665,503 S 8/2012 Dennewald
8,393,027 B2 3/2013 Weisberg
D681,994 S 5/2013 Morgan, II
D701,710 S 4/2014 Martinez
8,713,732 B2 5/2014 Dennewald

D736,397 S 8/2015 McAviney et al.
D739,036 S * 9/2015 McAviney D24/200
9,186,004 B2 11/2015 Dennewald
D758,100 S * 6/2016 Pham D6/601
D764,062 S * 8/2016 Dennewald A47G 9/1081
D24/183
2004/0006822 A1 1/2004 Milligan
2004/0068799 A1 4/2004 Wilson
2004/0194214 A1 10/2004 Troop
2005/0060807 A1 3/2005 Kaizuka
2005/0177944 A1 8/2005 Kang et al.
2007/0101503 A1 * 5/2007 Dennewald A47G 9/1081
5/638
2007/0113348 A1 5/2007 Ramaiah
2008/0115284 A1 5/2008 Hiatt
2009/0222989 A1 * 9/2009 Dennewald A47G 9/1081
5/636
2013/0191997 A1 * 8/2013 Dennewald A47G 9/1081
5/636
2016/0058219 A1 * 3/2016 Dennewald A47G 9/1081
5/636

FOREIGN PATENT DOCUMENTS

CN	88203329 U	12/1988
CN	2071030 U	2/1991
CN	2505048 Y	8/2002
CN	2812877 Y	9/2006
CN	2824881 Y	10/2006
CN	2850576 Y	12/2006

* cited by examiner

Primary Examiner — Vy N Koenig
(74) *Attorney, Agent, or Firm* — Mackey Law Firm
PLLC

(57) CLAIM

The ornamental design for an orthotic device, as shown and described.

DESCRIPTION

FIG. 1 is a perspective view of an orthotic device.
FIG. 2 is an end view of the orthotic device.
FIG. 3 is a front view of the orthotic device.
FIG. 4 is a rear view of the orthotic device.
FIG. 5 is a top view of the orthotic device.
FIG. 6 is an alternative perspective view of the orthotic device; and,
FIG. 7 is an alternative end view of the orthotic device.
The dash-dot broken lines in FIGS. 1 and 3-5 immediately adjacent to claimed surfaces represent the boundaries of the claimed design and also show portions of the orthotic device that form no part of the claimed design. The dash-dash broken lines in FIGS. 1-4 show portions of the orthotic device and form no part of the claimed design. None of the broken lines form any part of the claimed design.
The orthotic device is shown with a symbolic break in its length. The appearance of any portion of the article between the break lines forms no part of the claimed design.

1 Claim, 4 Drawing Sheets

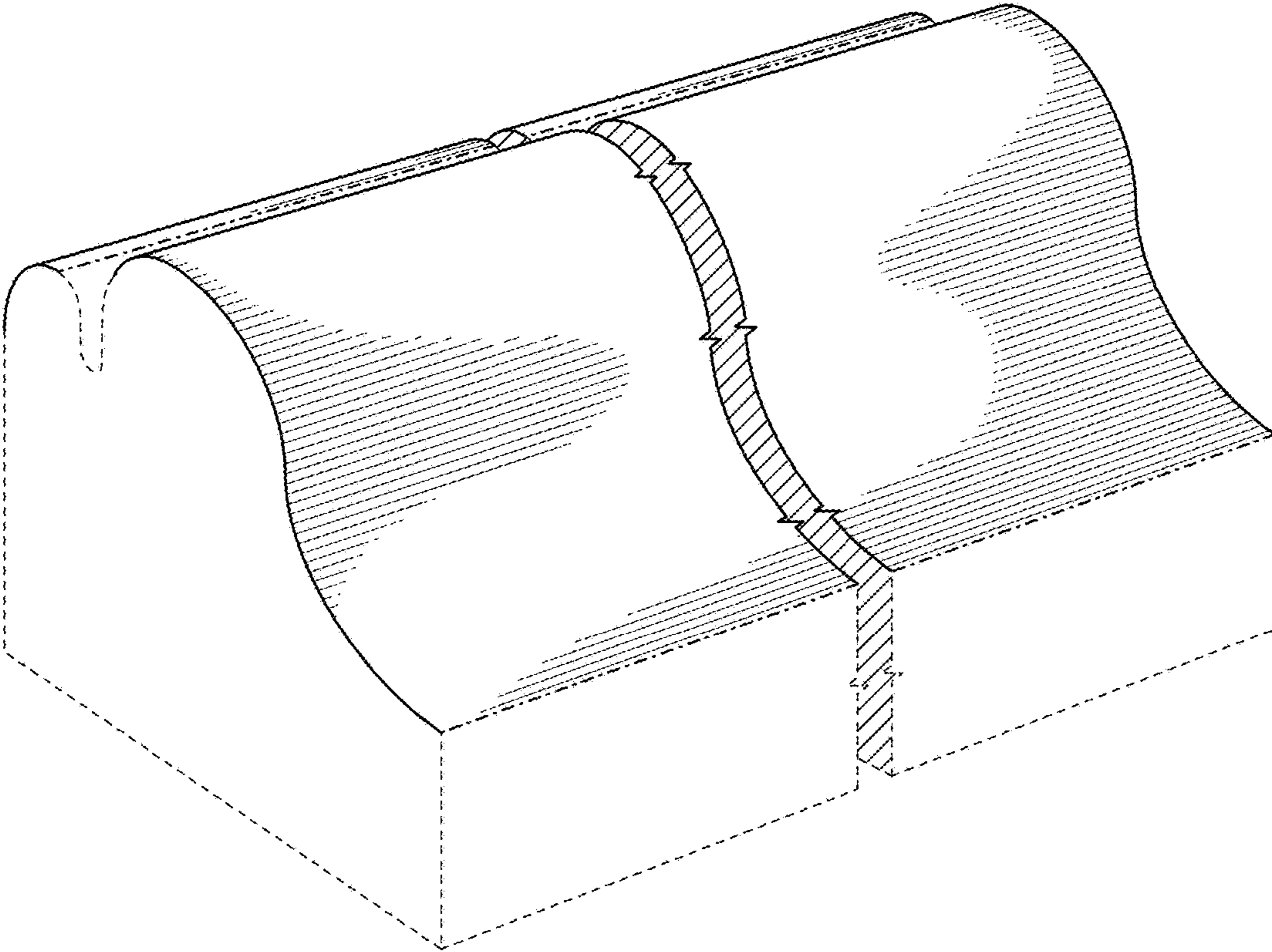


FIG. 1

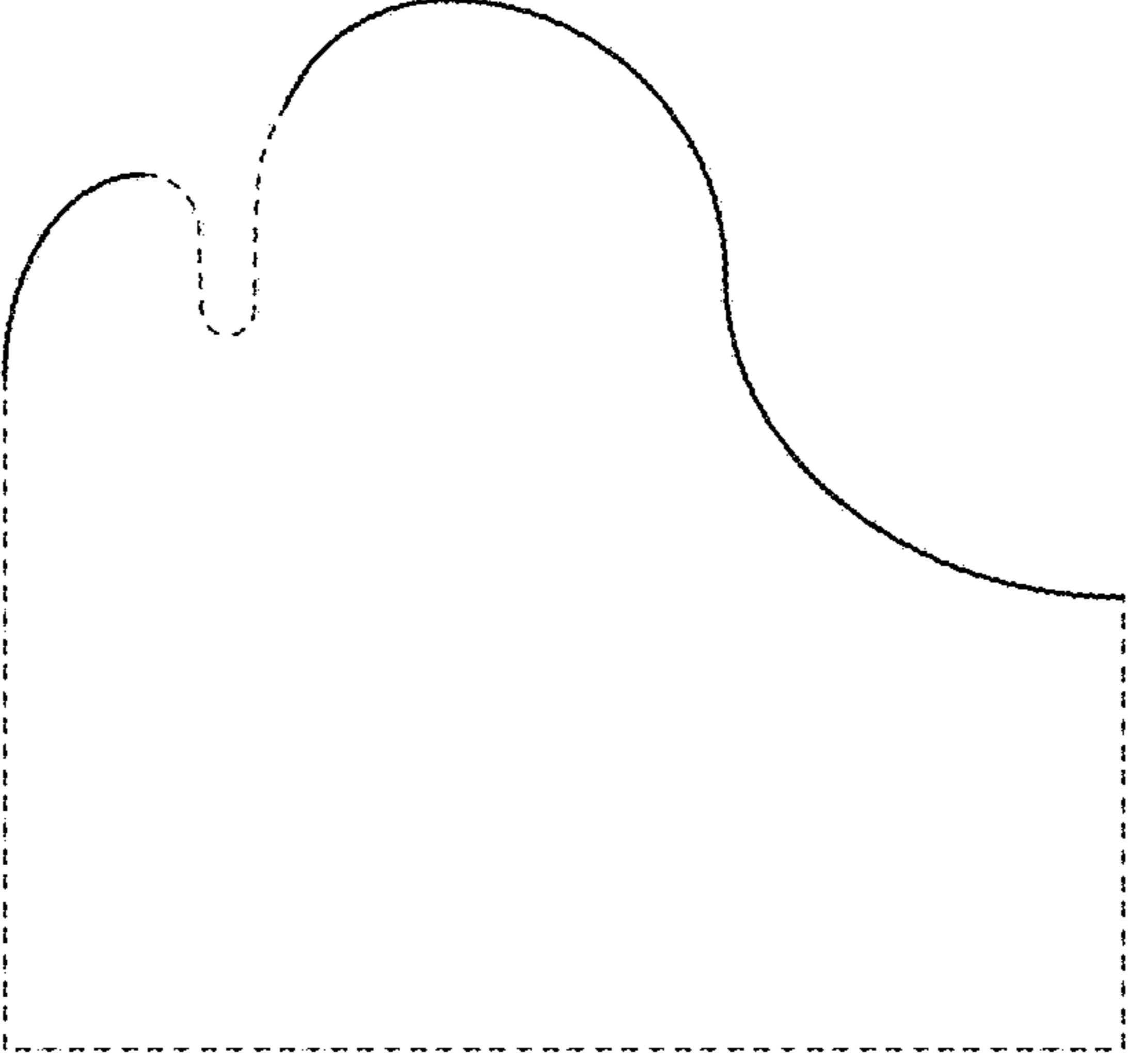


FIG. 2

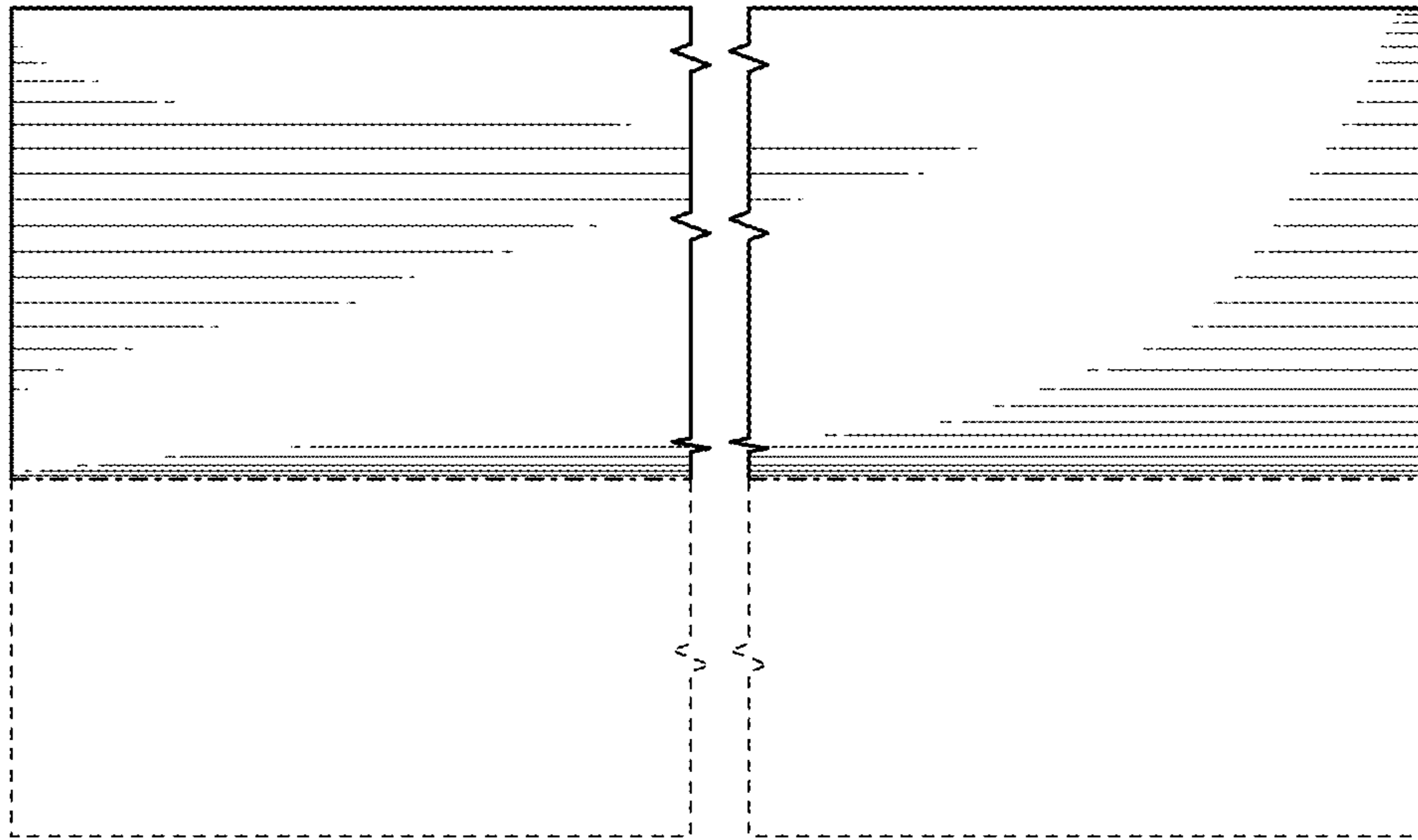


FIG. 3

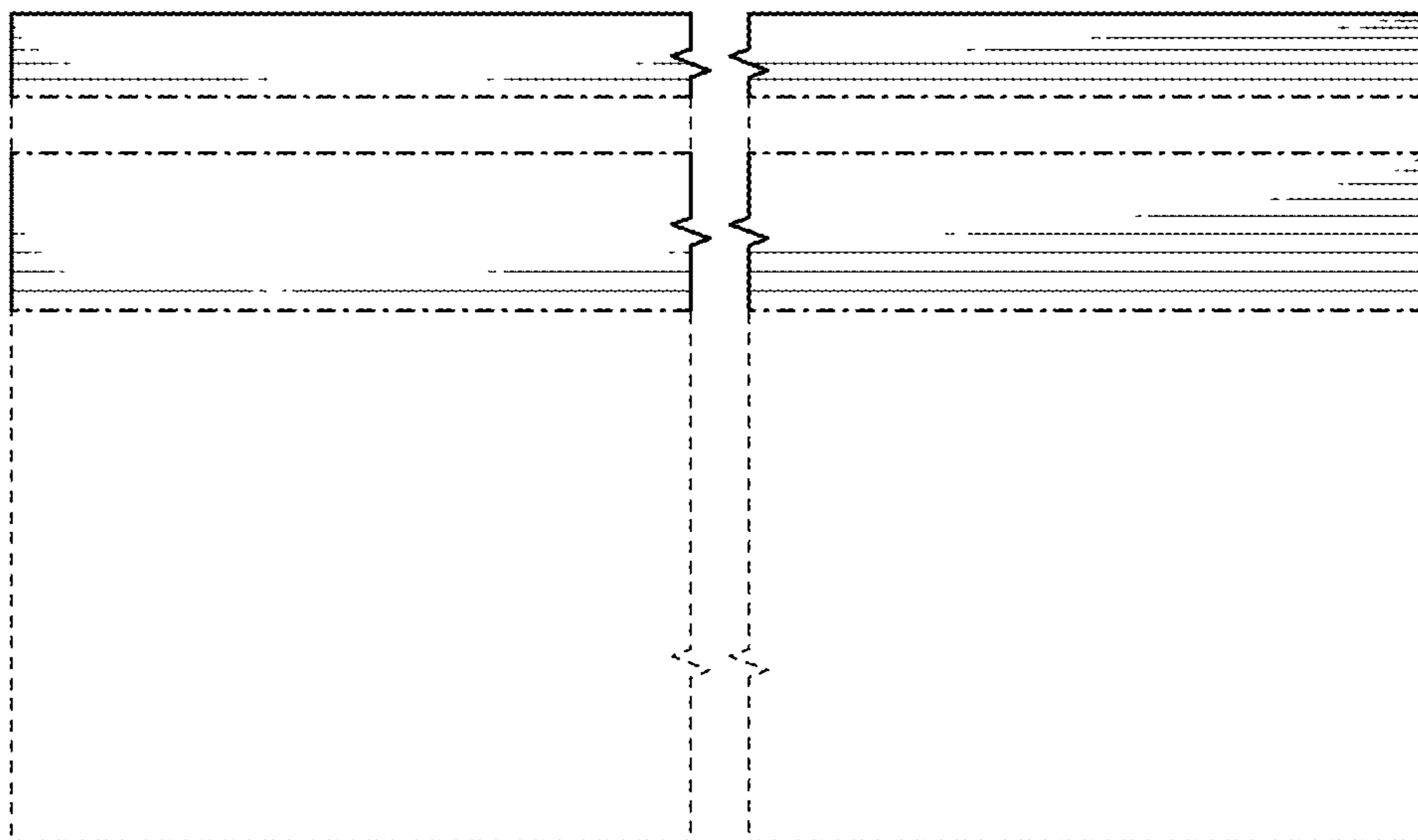


FIG. 4

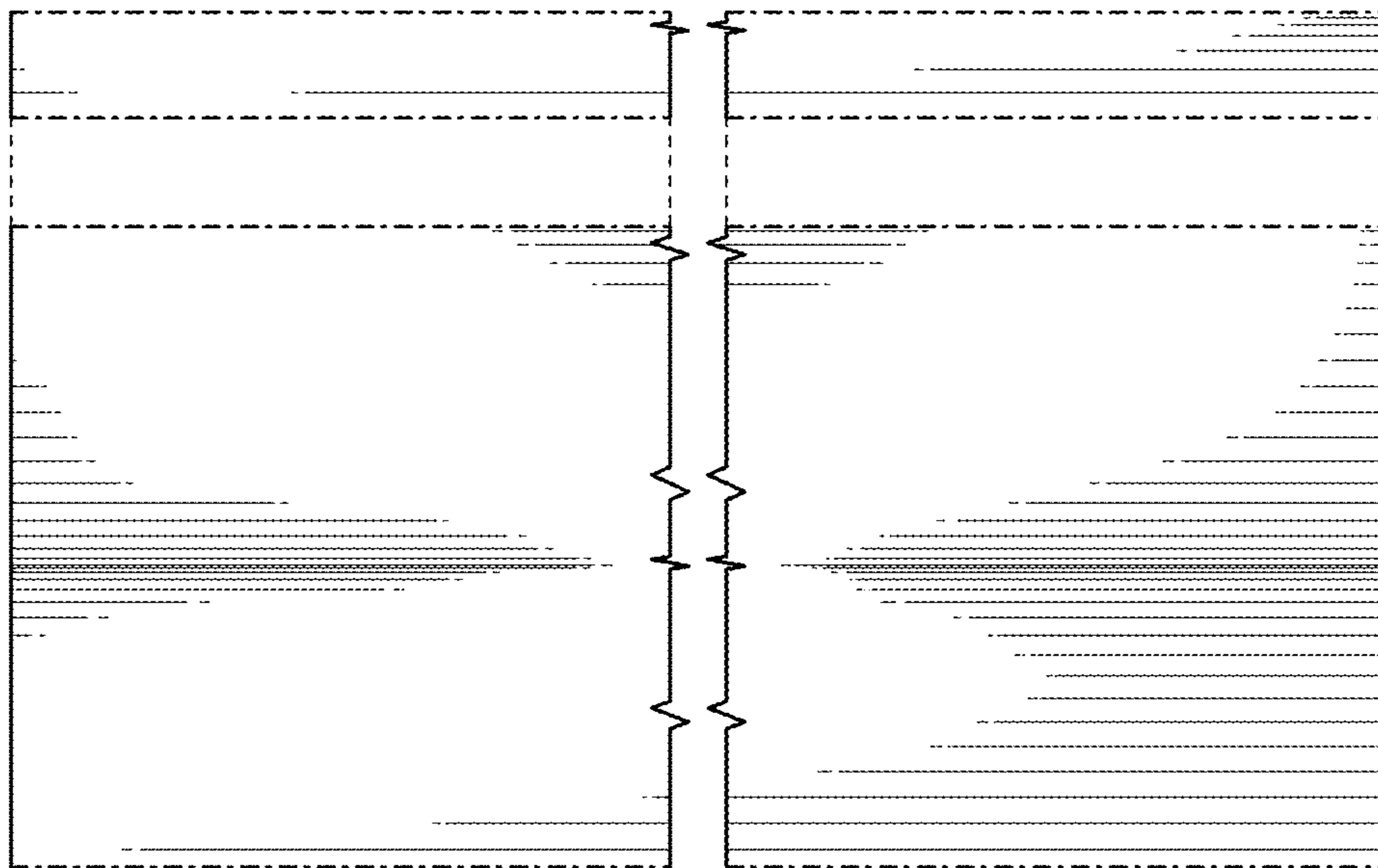


FIG. 5

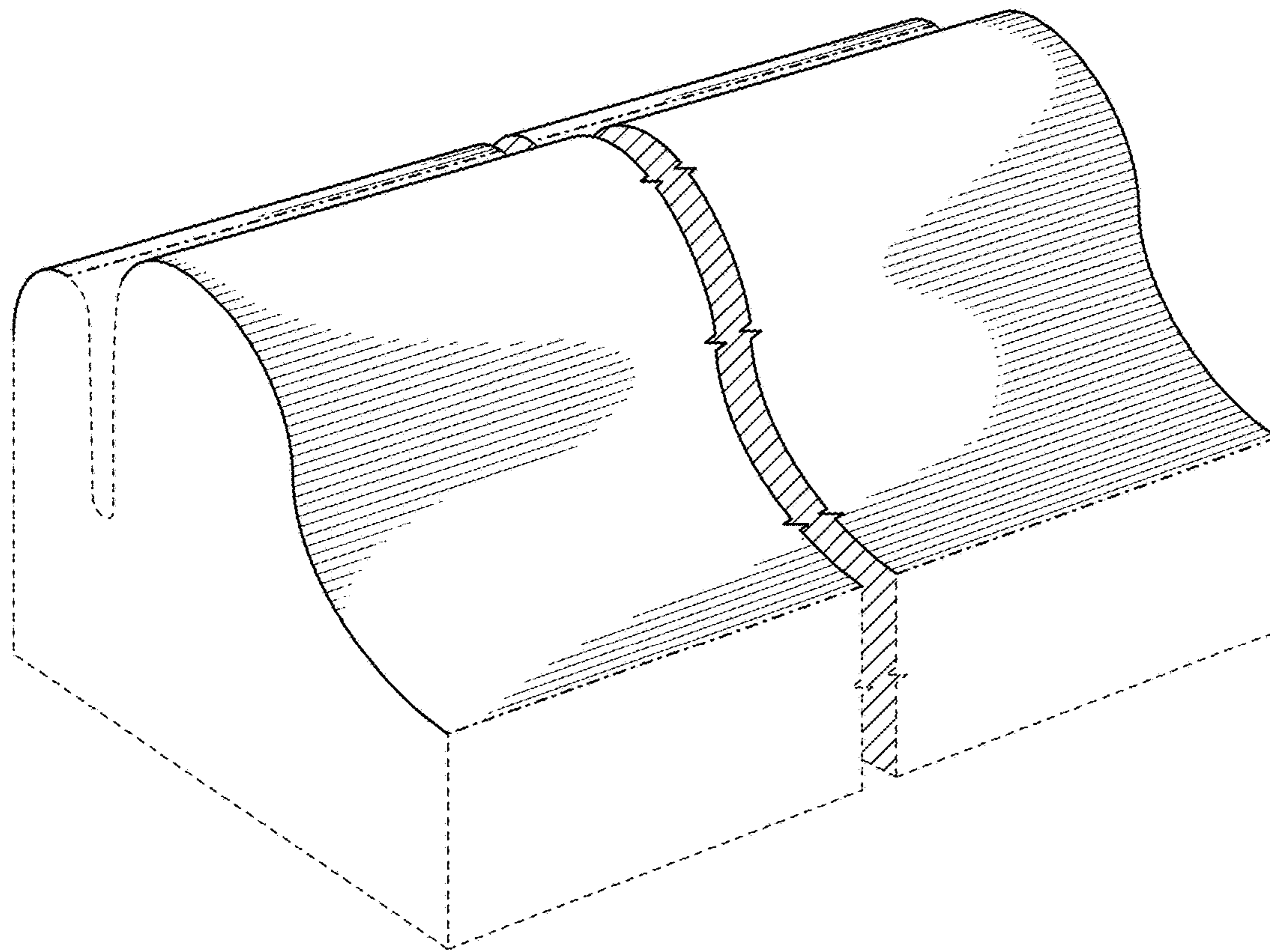


FIG. 6

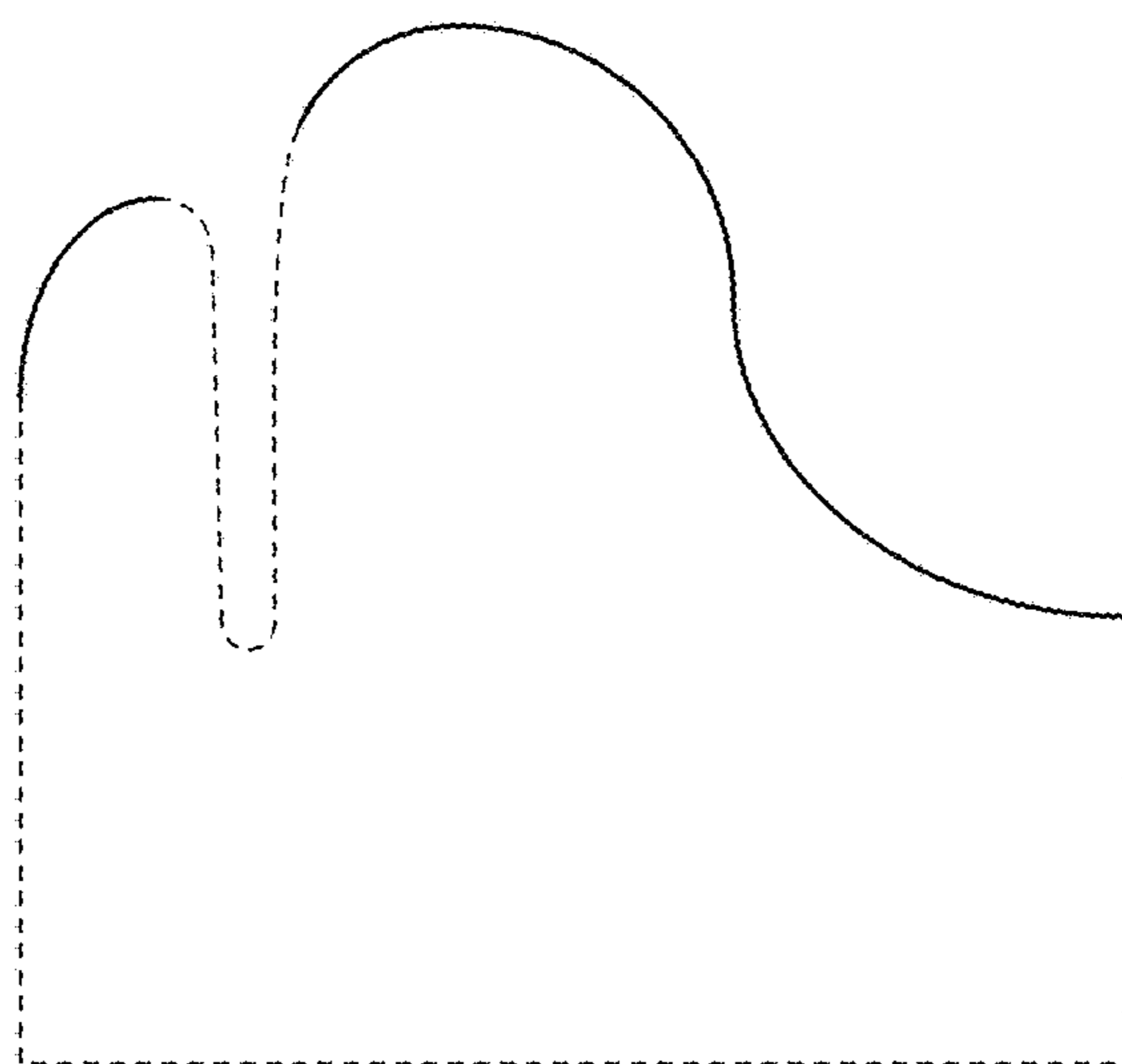


FIG. 7