



US00D859662S

(12) **United States Design Patent**
Lockenwitz

(10) **Patent No.:** **US D859,662 S**
(45) **Date of Patent:** **** Sep. 10, 2019**

(54) **HEARING AID DEVICE**

(71) Applicant: **OTICON MEDICAL A/S, Smørum (DK)**

(72) Inventor: **Christian Lockenwitz, København (DK)**

(73) Assignee: **OTICON MEDICAL A/S, Smørum (DK)**

(**) Term: **15 Years**

(21) Appl. No.: **29/627,253**

(22) Filed: **Nov. 24, 2017**

(30) **Foreign Application Priority Data**

- May 24, 2017 (EM) 004016525-0001
- May 24, 2017 (EM) 004016525-0002
- May 24, 2017 (EM) 004016525-0003
- May 24, 2017 (EM) 004016525-0004
- May 24, 2017 (EM) 004016525-0005
- May 24, 2017 (EM) 004016525-0006

(51) **LOC (12) Cl.** **24-99**

(52) **U.S. Cl.**
USPC **D24/174**

(58) **Field of Classification Search**
USPC D24/173-175; D14/205, 223-226, 249
CPC .. H04R 2225/025; H04R 25/60; H04R 25/63;
H04R 25/67; H04R 25/602; H04R
25/604; H04R 25/608; H04R 25/65;
H04R 25/652

See application file for complete search history.

(56) **References Cited**

U.S. PATENT DOCUMENTS

- D473,652 S * 4/2003 Darley D24/173
- 6,700,983 B1 * 3/2004 Boegeskov-Jensen
H04R 25/60
381/322

- D530,819 S * 10/2006 Jurkiewicz D24/174
- 8,437,860 B1 * 5/2013 Crawford H04R 25/60
607/1
- D705,936 S * 5/2014 Lockenwitz D24/174
- 8,885,856 B2 * 11/2014 Sacha H04R 25/43
381/312
- D734,472 S * 7/2015 Meinertz D24/174
- D762,857 S * 8/2016 Ilic D24/174
- 2003/0031336 A1 * 2/2003 Harrison H04R 25/456
381/330
- 2014/0107526 A1 * 4/2014 Thibaut A61B 5/4851
600/559
- 2014/0371815 A1 * 12/2014 Ridler A61N 1/36032
607/57
- 2015/0350797 A1 * 12/2015 Muller H04R 1/1041
381/323
- 2016/0007127 A1 * 1/2016 Kennes H04R 25/65
381/328
- 2016/0269817 A1 * 9/2016 Basseas H04R 1/1016

* cited by examiner

Primary Examiner — Anhdao Doan

(74) *Attorney, Agent, or Firm* — Birch, Stewart, Kolasch & Birch, LLP

(57) **CLAIM**

The ornamental design for a hearing aid device, as shown and described.

DESCRIPTION

FIG. 1 is a perspective view of a hearing aid device;
FIG. 2 is a right side view thereof;
FIG. 3 is a bottom view thereof;
FIG. 4 is a left side view thereof;
FIG. 5 is a front view thereof;
FIG. 6 is a rear view thereof; and,
FIG. 7 is a top view thereof.

1 Claim, 7 Drawing Sheets



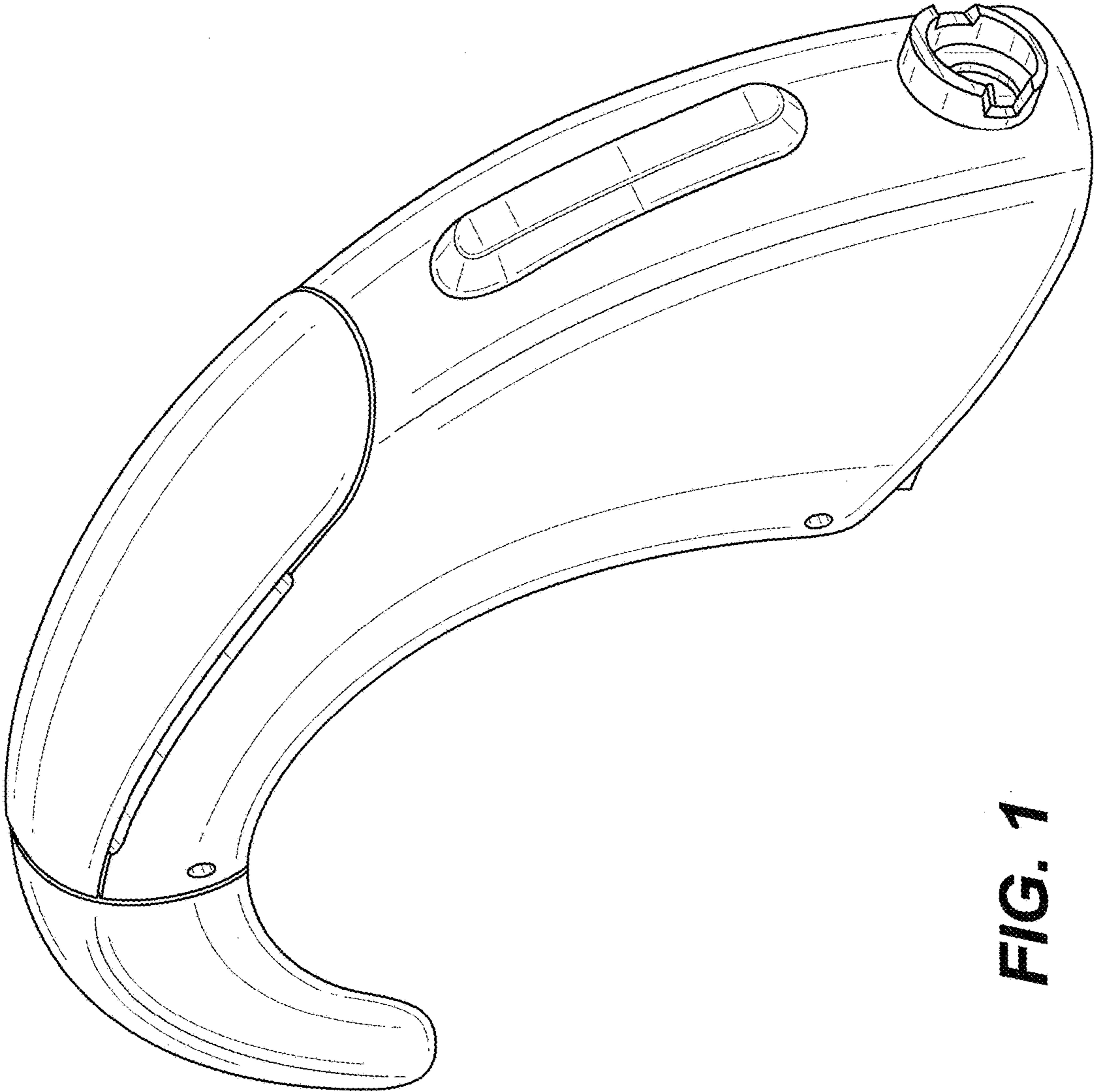


FIG. 1

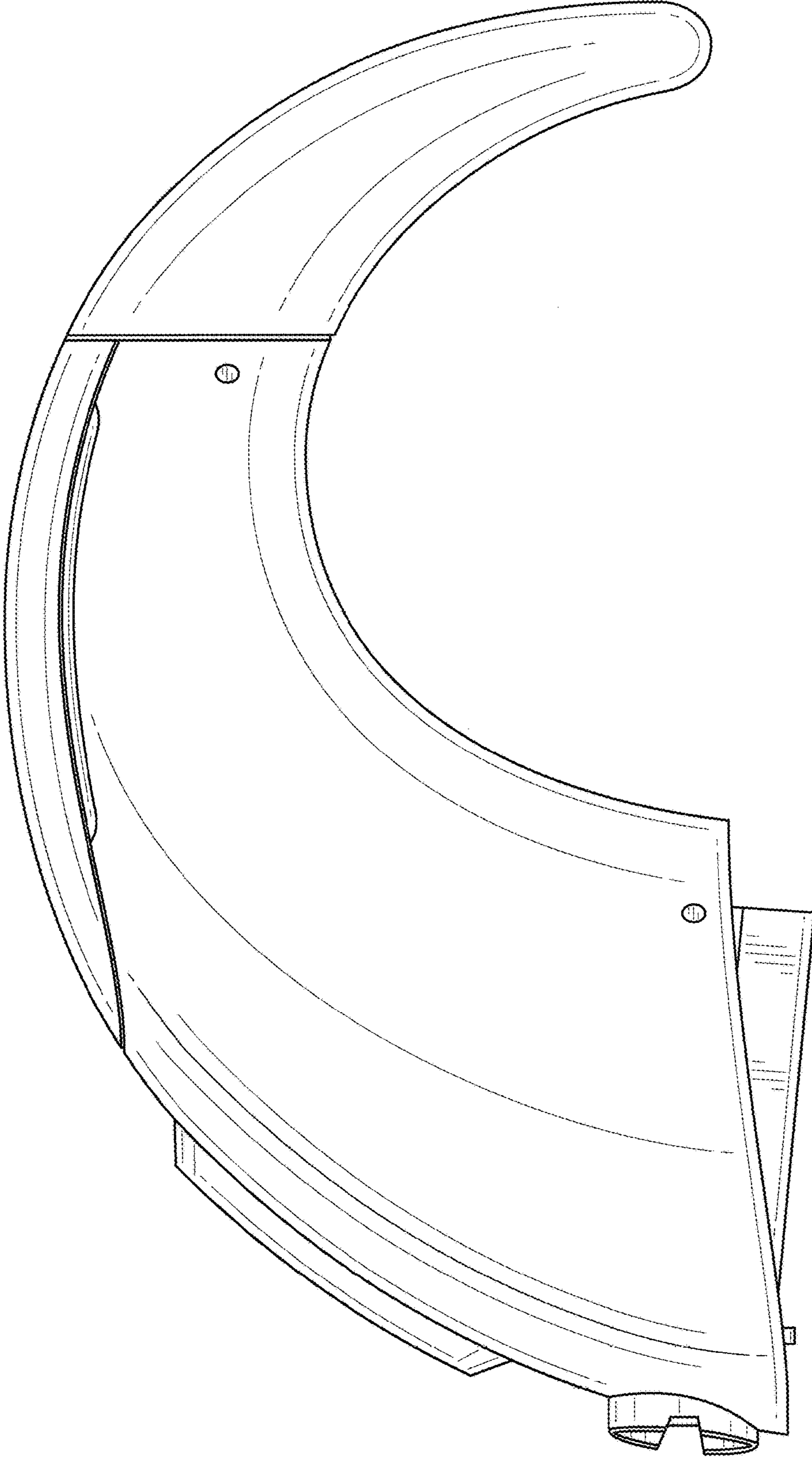


FIG. 2

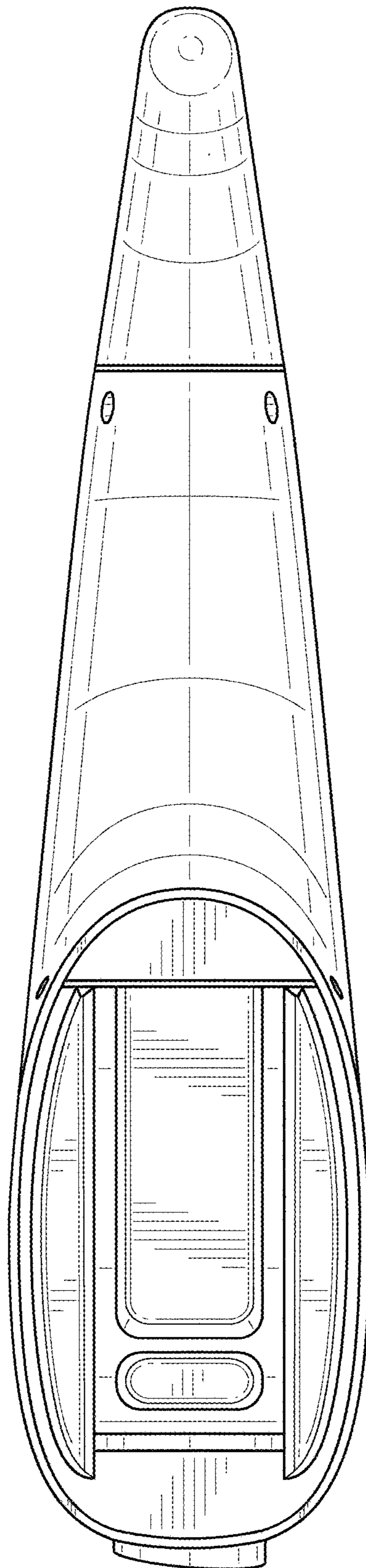


FIG. 3

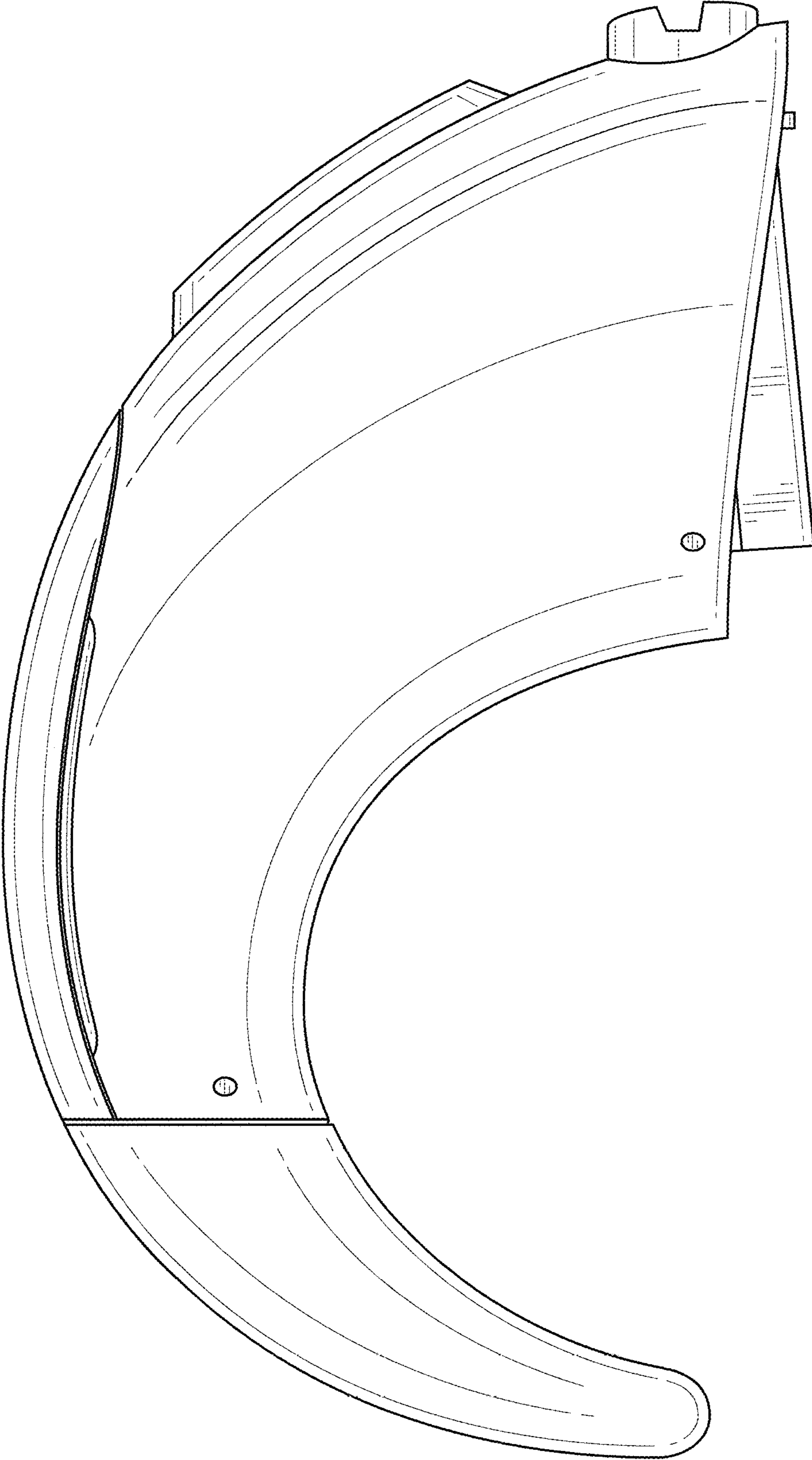


FIG. 4

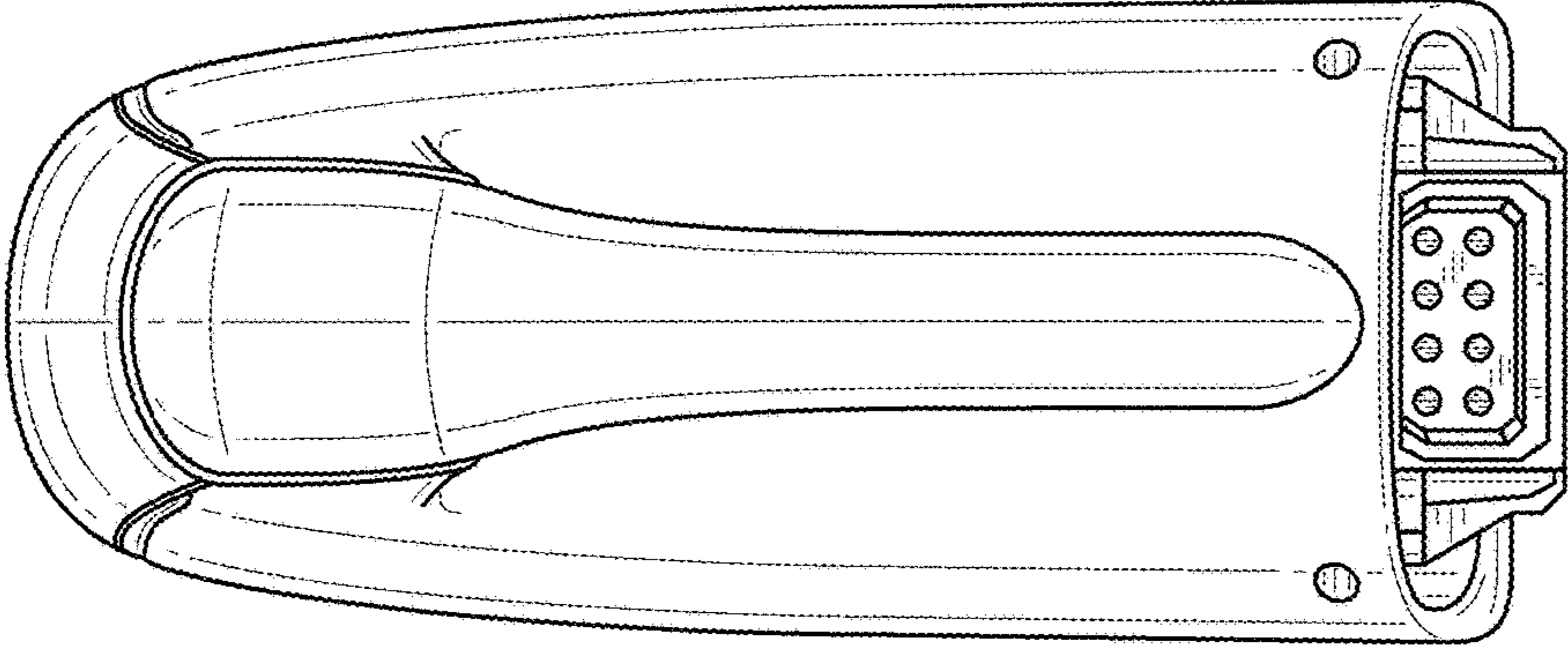


FIG. 5

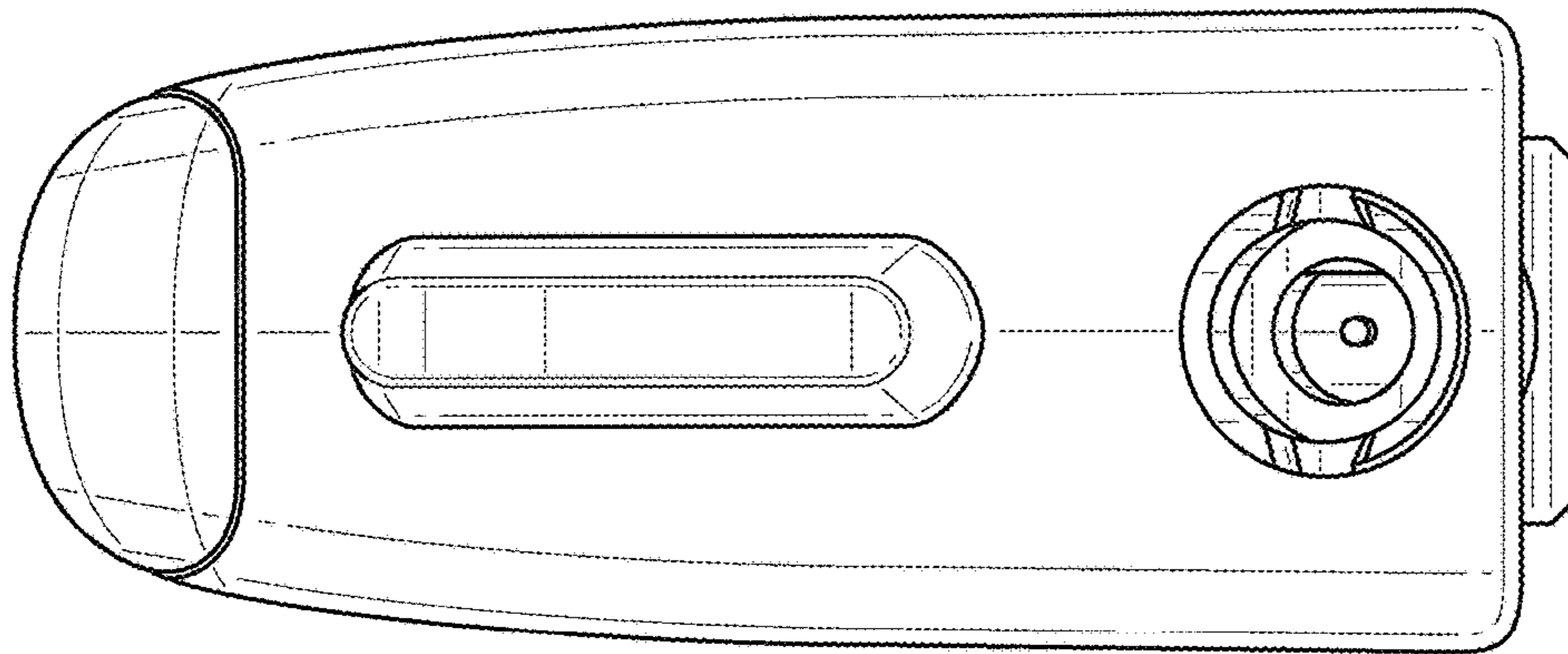


FIG. 6

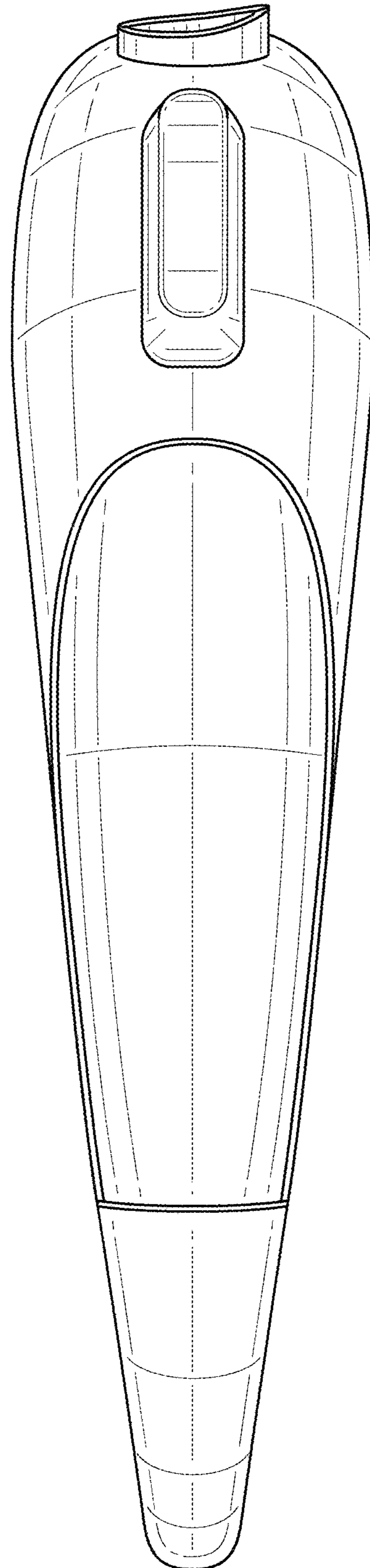


FIG. 7