



US00D859661S

(12) **United States Design Patent** (10) **Patent No.:** **US D859,661 S**  
**Blackwell** (45) **Date of Patent:** **\*\* Sep. 10, 2019**

(54) **CONNECTOR PAD FOR SURGICAL POSITIONER**

6,155,323 A \* 12/2000 Gougelet ..... B60C 25/147  
157/1

(71) Applicant: **INNOVATIVE MEDICAL SYSTEMS, INC.**, Plainville, CT (US)

6,298,507 B1 10/2001 Clyburn  
6,311,349 B1 11/2001 Kazakia et al.  
D482,791 S \* 11/2003 Moses ..... D24/183  
6,820,621 B2 11/2004 DeMayo  
D561,405 S \* 2/2008 Kalatsky ..... D30/118

(72) Inventor: **Tim Blackwell**, Plainville, CT (US)

(Continued)

(73) Assignee: **Innovative Medical Products, Inc.**, Plainville, CT (US)

**FOREIGN PATENT DOCUMENTS**

(\*\*) Term: **15 Years**

DE 3436197 C1 5/1986  
DE 202010014952 U1 3/2012

(Continued)

(21) Appl. No.: **35/001,335**

(22) Filed: **Mar. 13, 2017**

**OTHER PUBLICATIONS**

(80) **Hague Agreement Data**

Int. Filing Date: **Mar. 13, 2017**

Int. Reg. No.: **DM/097889**

Int. Reg. Date: **Mar. 13, 2017**

Int. Reg. Pub. Date: **Oct. 13, 2017**

Ashleyfurniture.com: Hassock photo. © 2018; 5 pages. Found online Jul. 27, 2018 at: <https://www.ashleyfurniture.com/glossary/glossary-h/> (Year: 2018).\*

(Continued)

(51) **LOC (12) Cl.** ..... **24-02**

(52) **U.S. Cl.**

USPC ..... **D24/171**

(58) **Field of Classification Search**

USPC ..... D24/183, 184, 190, 171; D6/601

CPC ..... A61B 6/0421; A61G 13/0036; A61G

13/0081; A61G 13/123; A61G 13/126

See application file for complete search history.

*Primary Examiner* — Robert M. Spear

(74) *Attorney, Agent, or Firm* — Damian Wasserbauer, Esq.; Wasserbauer Law LLC

(57) **CLAIM**

The ornamental design for a connector pad for surgical positioner, as shown and described.

**DESCRIPTION**

1. Connector pad for surgical positioner

FIG. 1.1 is a perspective view of the connector pad for surgical positioner as shown and described;

FIG. 1.2 is a front view thereof;

FIG. 1.3 is a back view thereof;

FIG. 1.4 is a top view thereof, the bottom view is a mirror image thereof; and

FIG. 1.5 is a left side view thereof, the right side view is a mirror image thereof;

The parts shown by means of broken lines in FIGS. 1.1, 1.2, 1.3, 1.4 and 1.5 are not part of the claimed design.

(56) **References Cited**

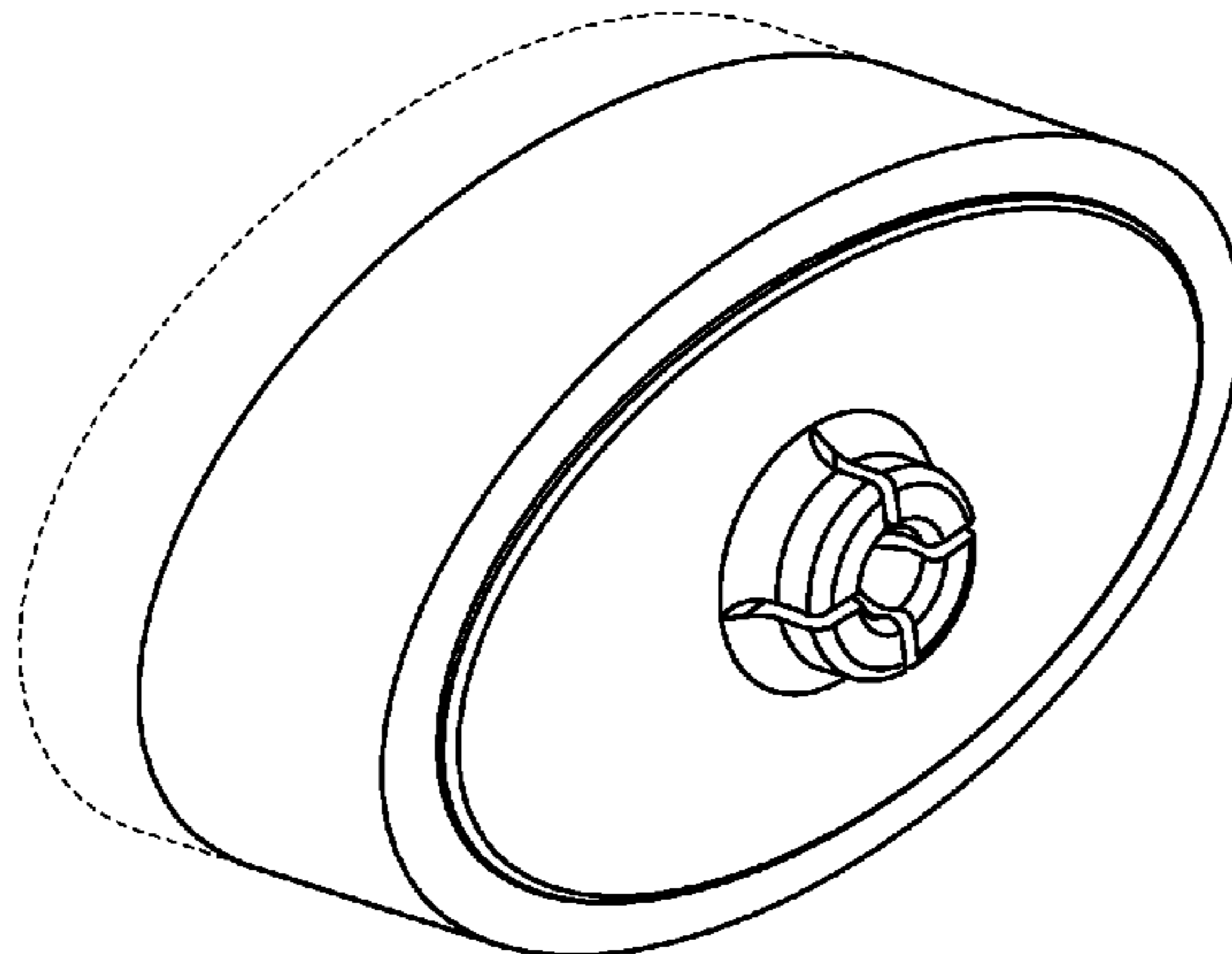
**U.S. PATENT DOCUMENTS**

3,020,017 A 2/1962 Watson  
4,426,071 A 1/1984 Klevstad  
4,429,625 A \* 2/1984 Nelson ..... A47J 37/108  
294/144

5,390,383 A 2/1995 Carn  
5,431,098 A \* 7/1995 Winston ..... B41K 1/54  
101/202

D401,795 S \* 12/1998 Liao ..... D6/601

**1 Claim, 5 Drawing Sheets**



(56)

**References Cited**

U.S. PATENT DOCUMENTS

7,367,520 B2 \* 5/2008 Neveu ..... A47K 10/16  
242/160.1  
7,426,930 B1 9/2008 Bailey et al.  
8,028,622 B2 \* 10/2011 Patterson ..... B41K 1/54  
101/333  
8,286,283 B2 10/2012 Copeland et al.  
8,961,526 B2 \* 2/2015 Burroughs ..... A61B 19/5244  
606/86 R  
D743,557 S \* 11/2015 Pichette ..... D24/184  
9,351,579 B2 \* 5/2016 Uribe ..... A47C 7/021  
9,572,741 B2 \* 2/2017 Weaver ..... A61F 5/3723  
2003/0178027 A1 9/2003 DeMayo  
2007/0089239 A1 4/2007 Whiteside  
2010/0293719 A1 11/2010 Klemm et al.  
2014/0201917 A1 7/2014 Neel et al.

FOREIGN PATENT DOCUMENTS

DE 202013100213 U1 5/2013  
FR 2921252 A1 3/2009

JP 4908747 B2 4/2012  
WO 9835643 A2 8/1998

OTHER PUBLICATIONS

www.reysports.com: Unisoul oval balance foam pad. Undated, 2 pages. Found online Jul. 27, 2018 at <http://www.reysports.com/en/product-338430/Oval-Balance-Foam-Pad-Ofp603-A-B.html> (Year: 2018).\*

5Billion Balance Pad—Oval. Undated, 6 pages. Found online Jul. 27, 2018 at [https://www.amazon.com/5BILLION-Balance-Pad-Exercise-Rehabilitation/dp/B075L54WPB/ref=pd\\_Ipo\\_sbs\\_200\\_img\\_2?\\_encoding=UTF8&psc=1&refRID=8T3BEA4D7HD3E0QWH6CQ](https://www.amazon.com/5BILLION-Balance-Pad-Exercise-Rehabilitation/dp/B075L54WPB/ref=pd_Ipo_sbs_200_img_2?_encoding=UTF8&psc=1&refRID=8T3BEA4D7HD3E0QWH6CQ) (Year: 2018).\*

\* cited by examiner

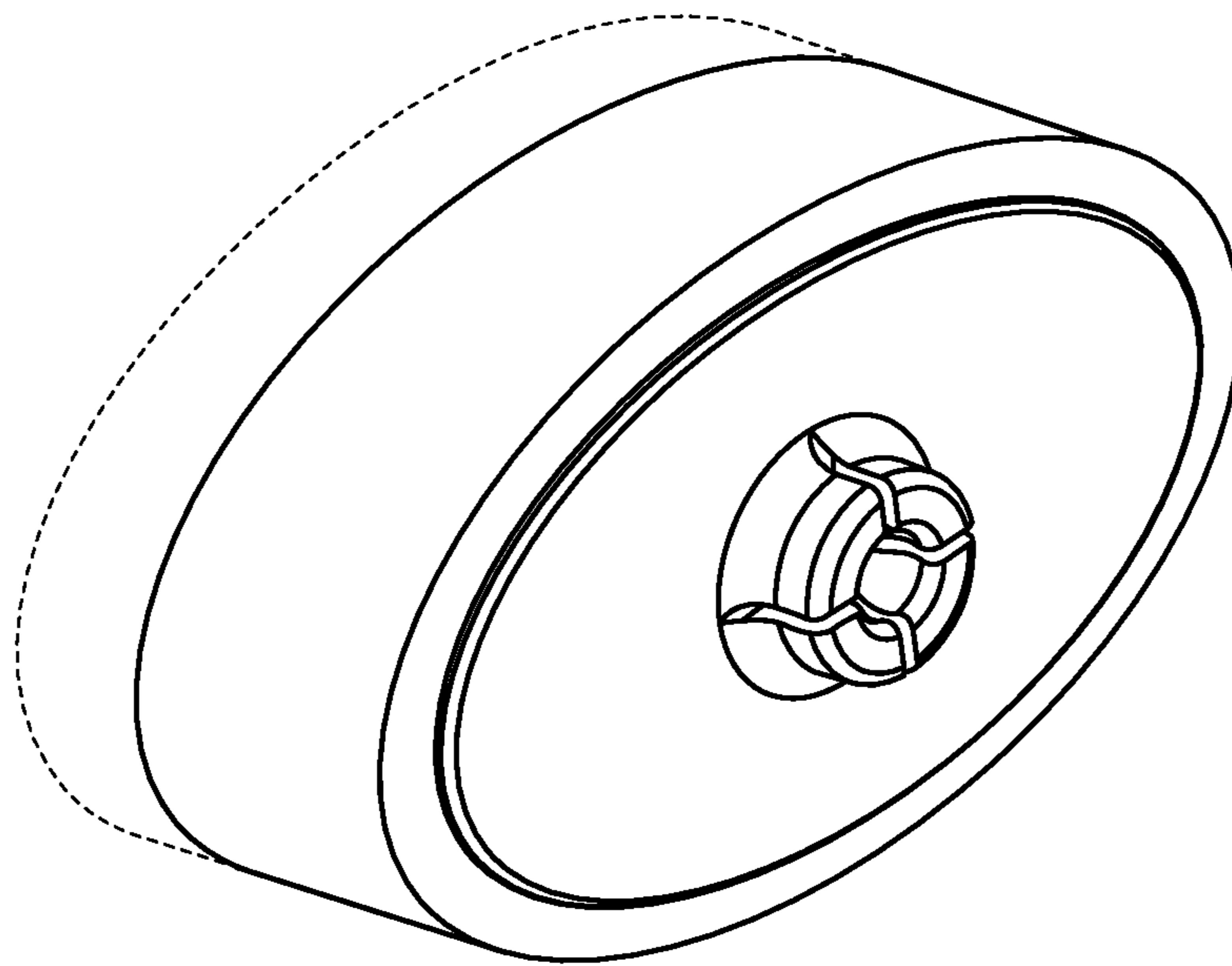
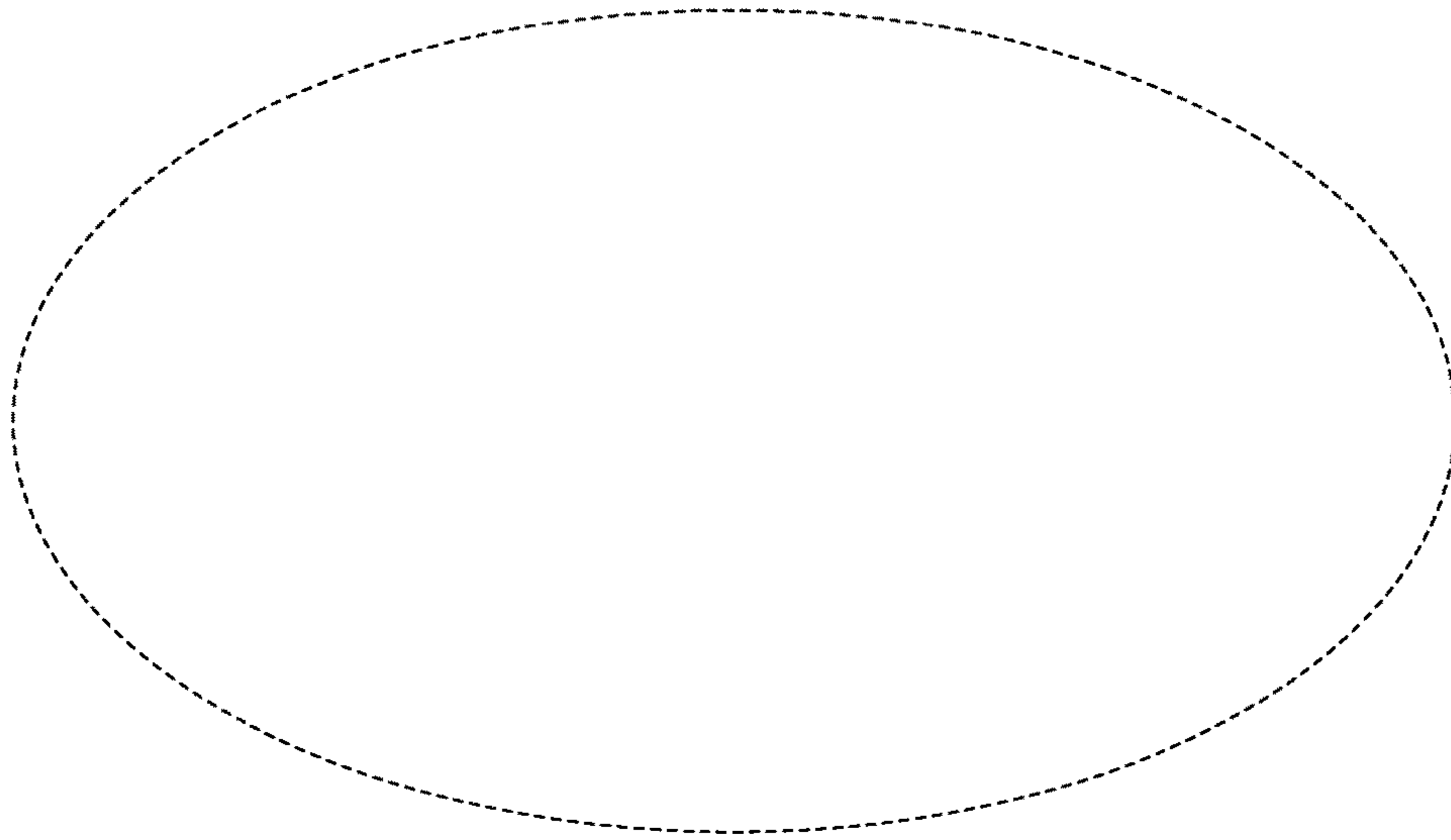


FIG. 1.1



**FIG. 1.2**

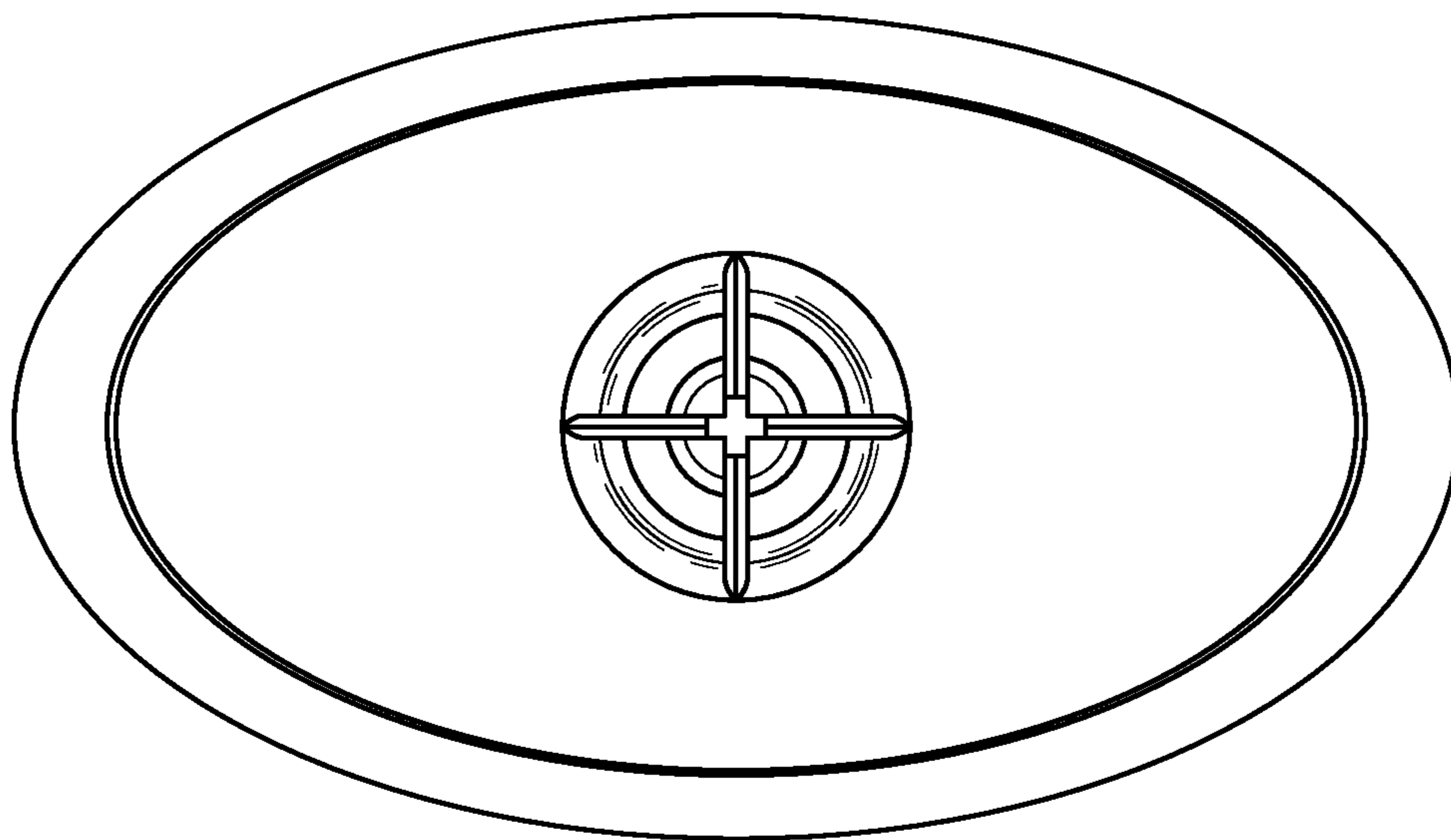


FIG. 1.3

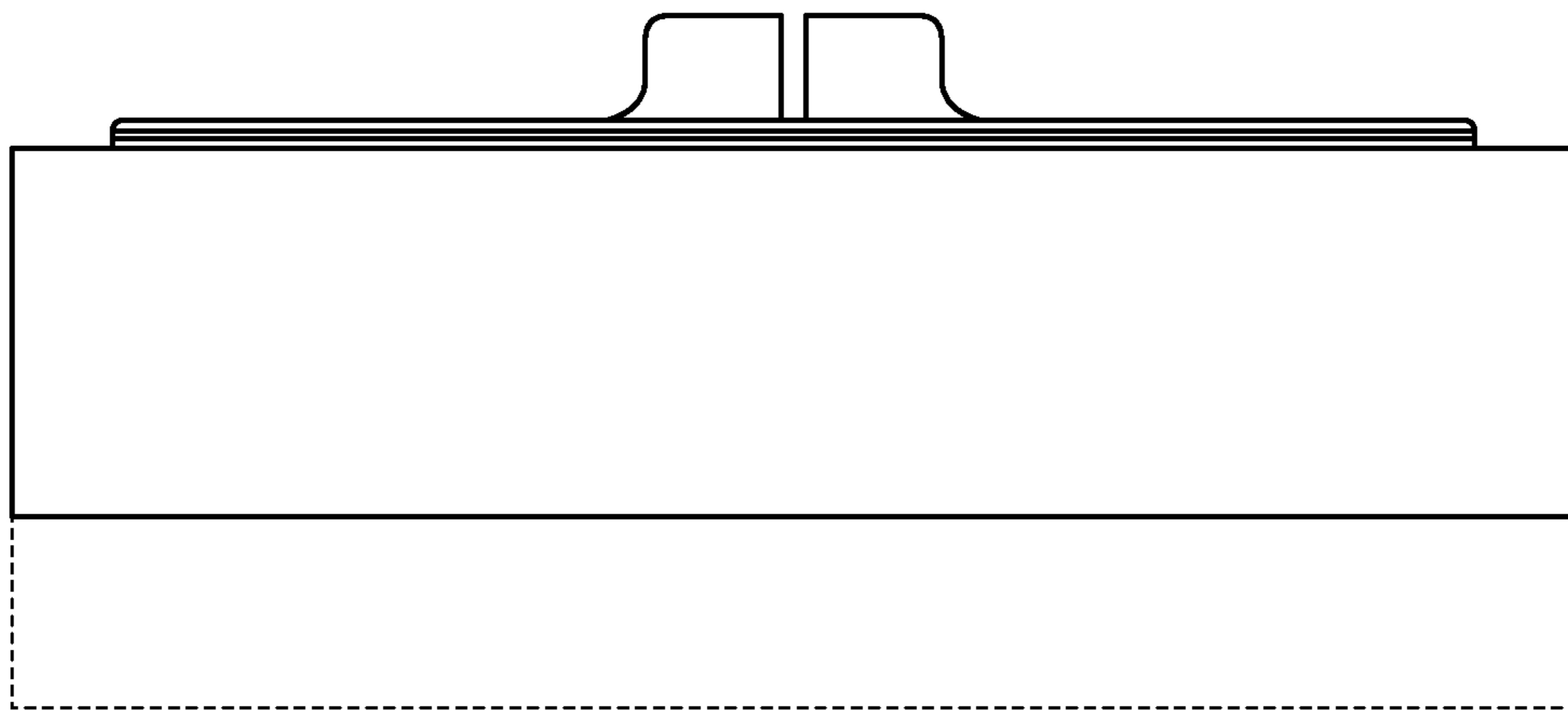


FIG. 1.4

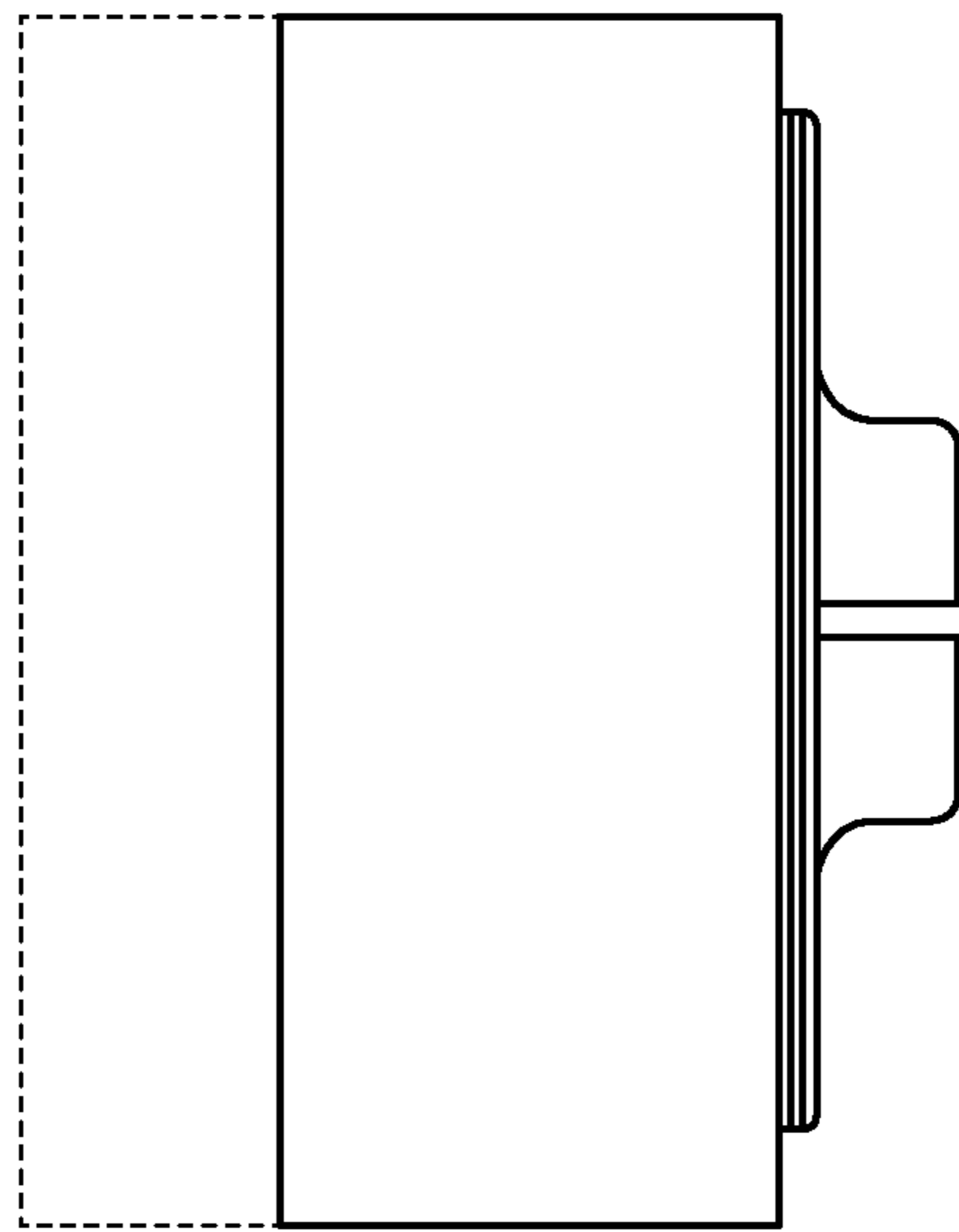


FIG. 1.5