



US00D859660S

(12) **United States Design Patent** (10) **Patent No.:** **US D859,660 S**  
**Lee et al.** (45) **Date of Patent:** **\*\* Sep. 10, 2019**

(54) **X-RAY GENERATOR**

(71) Applicant: **SUNJE HI-TEK CO., LTD.**, Busan (KR)

(72) Inventors: **Dong-Hoon Lee**, Busan (KR); **Su-Young Lee**, Busan (KR); **Eun-Min Kim**, Busan (KR); **Jin-Chol Park**, Busan (KR); **Sih-Wan Heo**, Busan (KR)

(73) Assignee: **SUNJE HI-TEK CO., LTD.**, Busan (KR)

(\*\*) Term: **15 Years**

(21) Appl. No.: **29/614,820**

(22) Filed: **Aug. 23, 2017**

(51) **LOC (12) Cl.** ..... **24-01**

(52) **U.S. Cl.**  
USPC ..... **D24/158**

(58) **Field of Classification Search**  
USPC ..... D24/107, 158–161, 185, 186, 187, 231  
CPC ..... H05G 1/02; H05G 1/025; H05G 1/04;  
H05G 1/06; H05G 1/10; H01J 2235/068;  
H01J 2235/163; H01J 2235/165; H01J  
35/025; H01J 35/16

See application file for complete search history.

(56) **References Cited**

**U.S. PATENT DOCUMENTS**

D355,964 S \* 2/1995 Nelvig ..... D24/158  
D387,163 S \* 12/1997 Osthues ..... D24/158

6,490,341 B1 \* 12/2002 Ochiai ..... H01J 35/02  
378/121  
D470,589 S \* 2/2003 Choi ..... D24/158  
D742,518 S \* 11/2015 Barak ..... D24/158  
D767,770 S \* 9/2016 Purfey ..... D24/186  
2016/0081173 A1 \* 3/2016 Lee ..... H05G 1/10  
378/101

\* cited by examiner

*Primary Examiner* — Anhdao Doan

(74) *Attorney, Agent, or Firm* — Muncy, Geissler, Olds & Lowe, P.C.

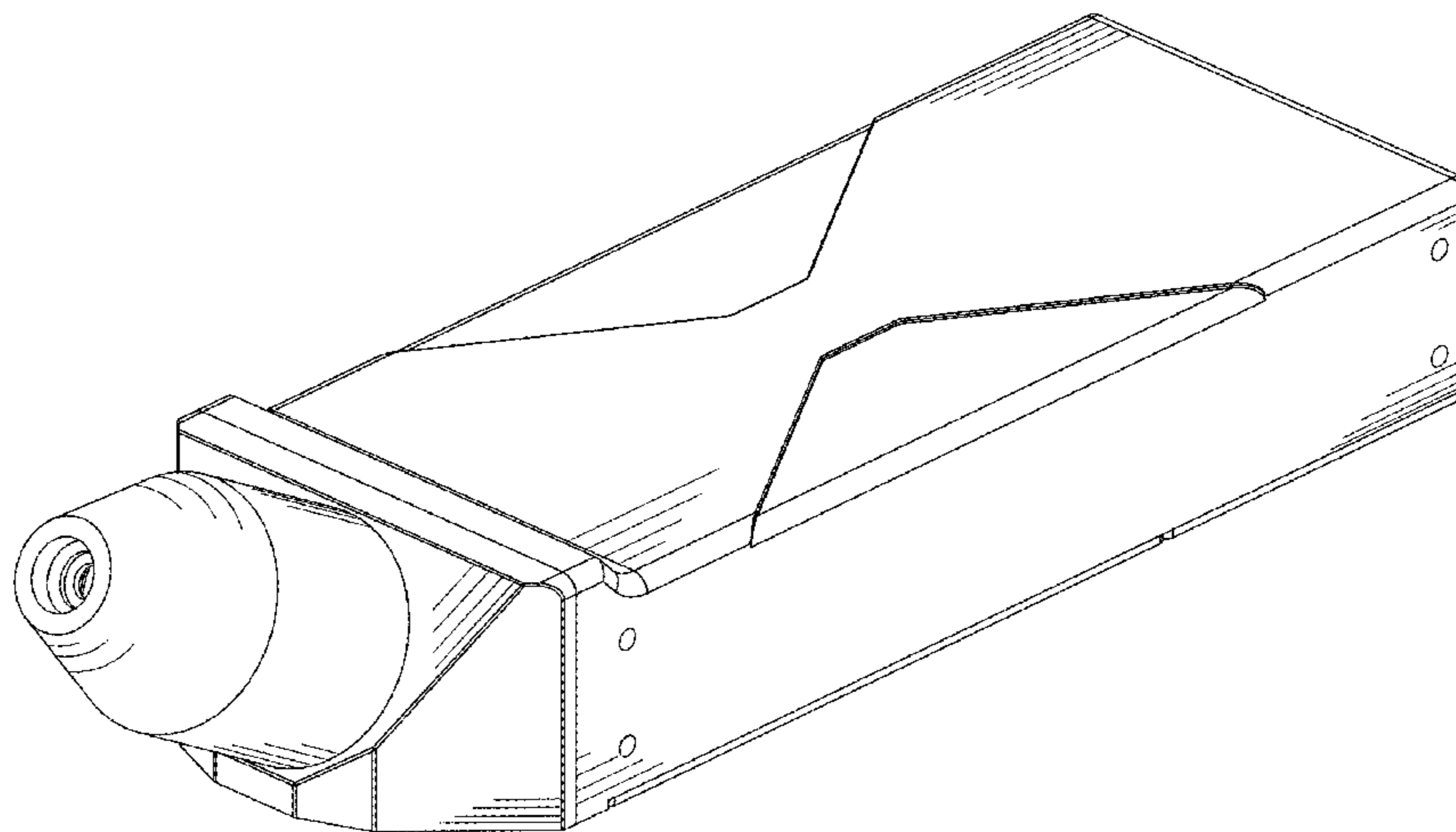
(57) **CLAIM**

The ornamental design for an x-ray generator, as shown and described.

**DESCRIPTION**

FIG. 1 is a perspective view of an x-ray generator showing our new design;  
FIG. 2 is a front elevational view thereof;  
FIG. 3 is a rear elevational view thereof;  
FIG. 4 is a left side elevational view thereof;  
FIG. 5 is a right elevational view thereof;  
FIG. 6 is a top plan view thereof; and,  
FIG. 7 is a bottom plan view thereof.

**1 Claim, 7 Drawing Sheets**



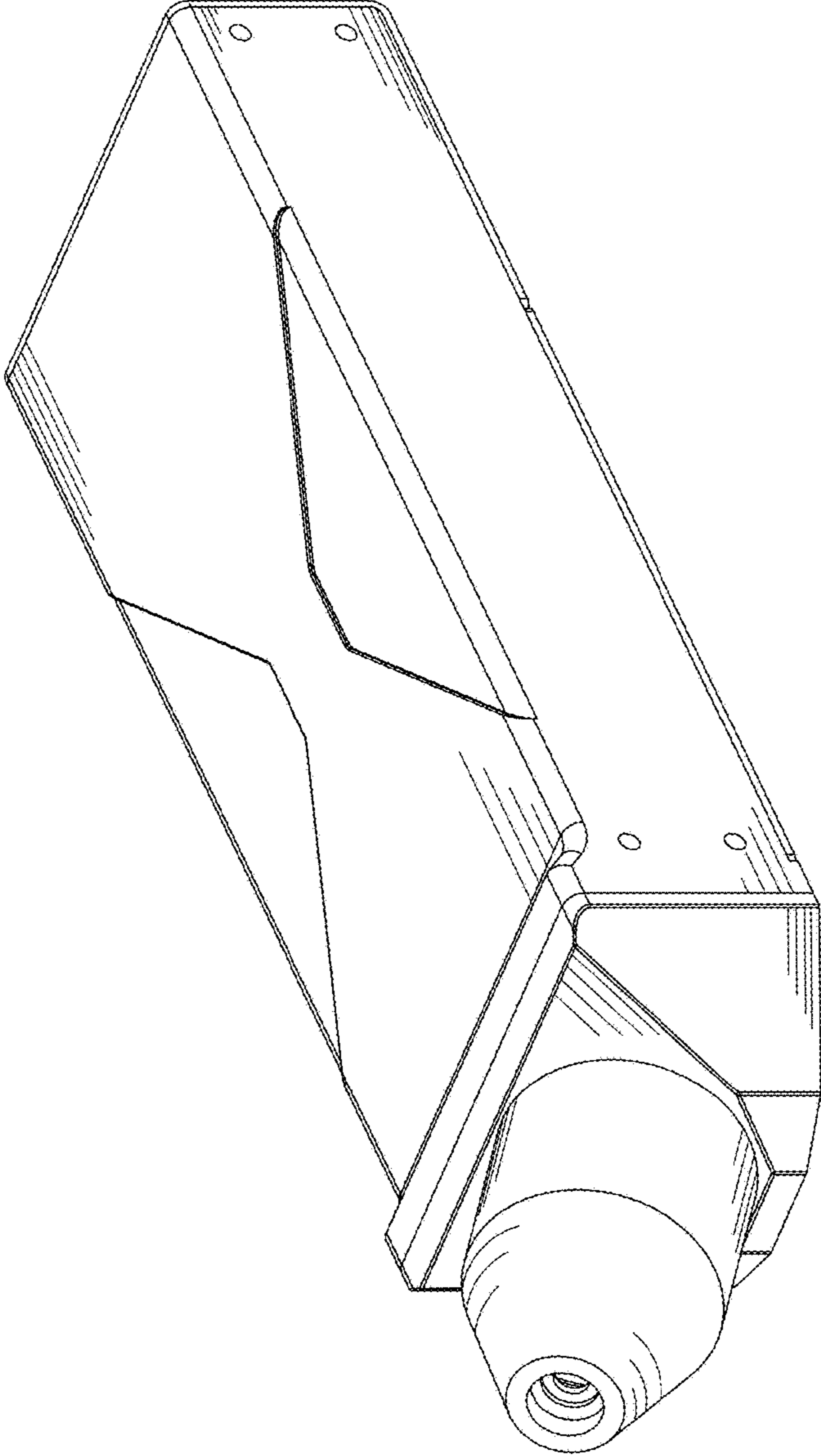


FIG. 1

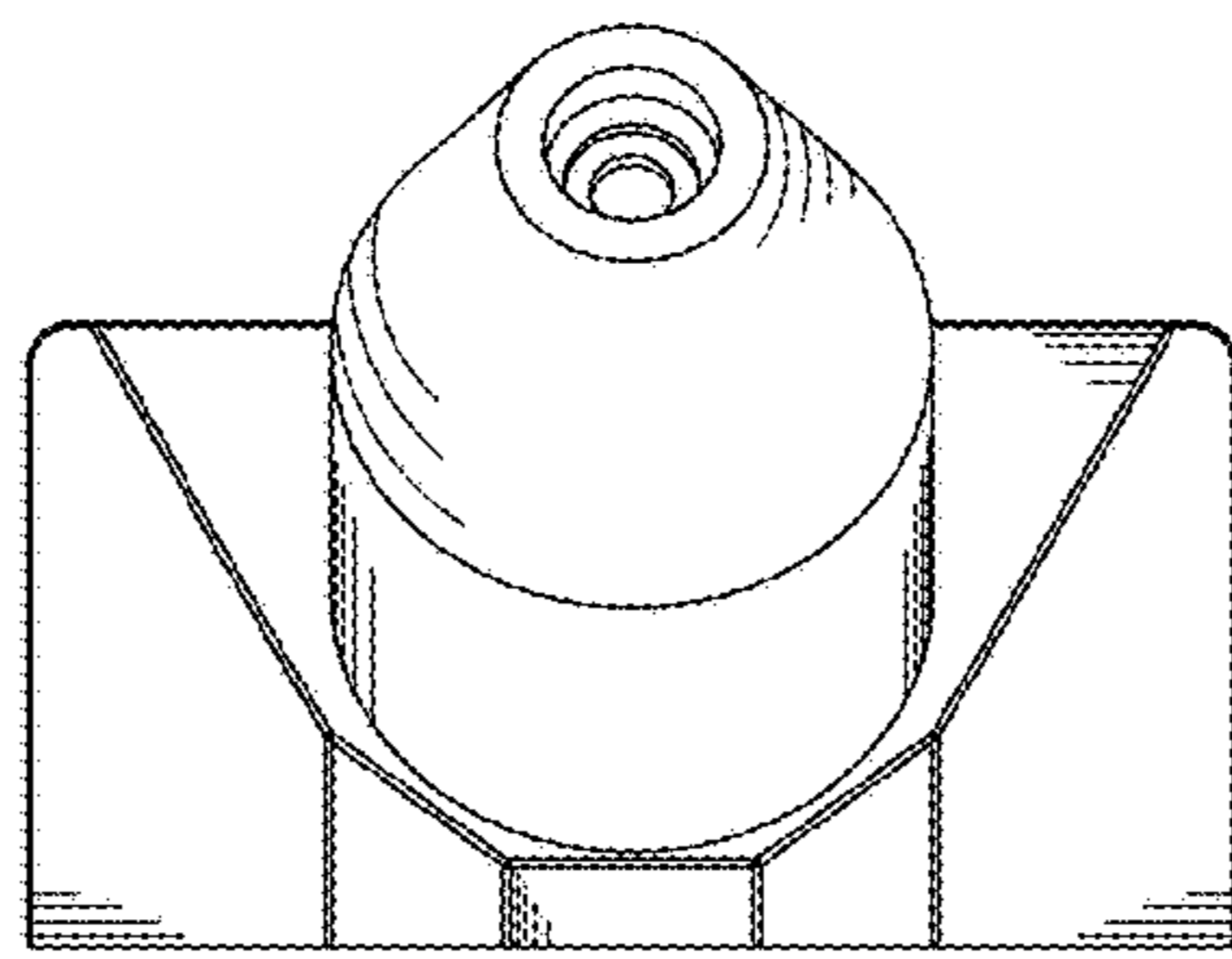


FIG. 2

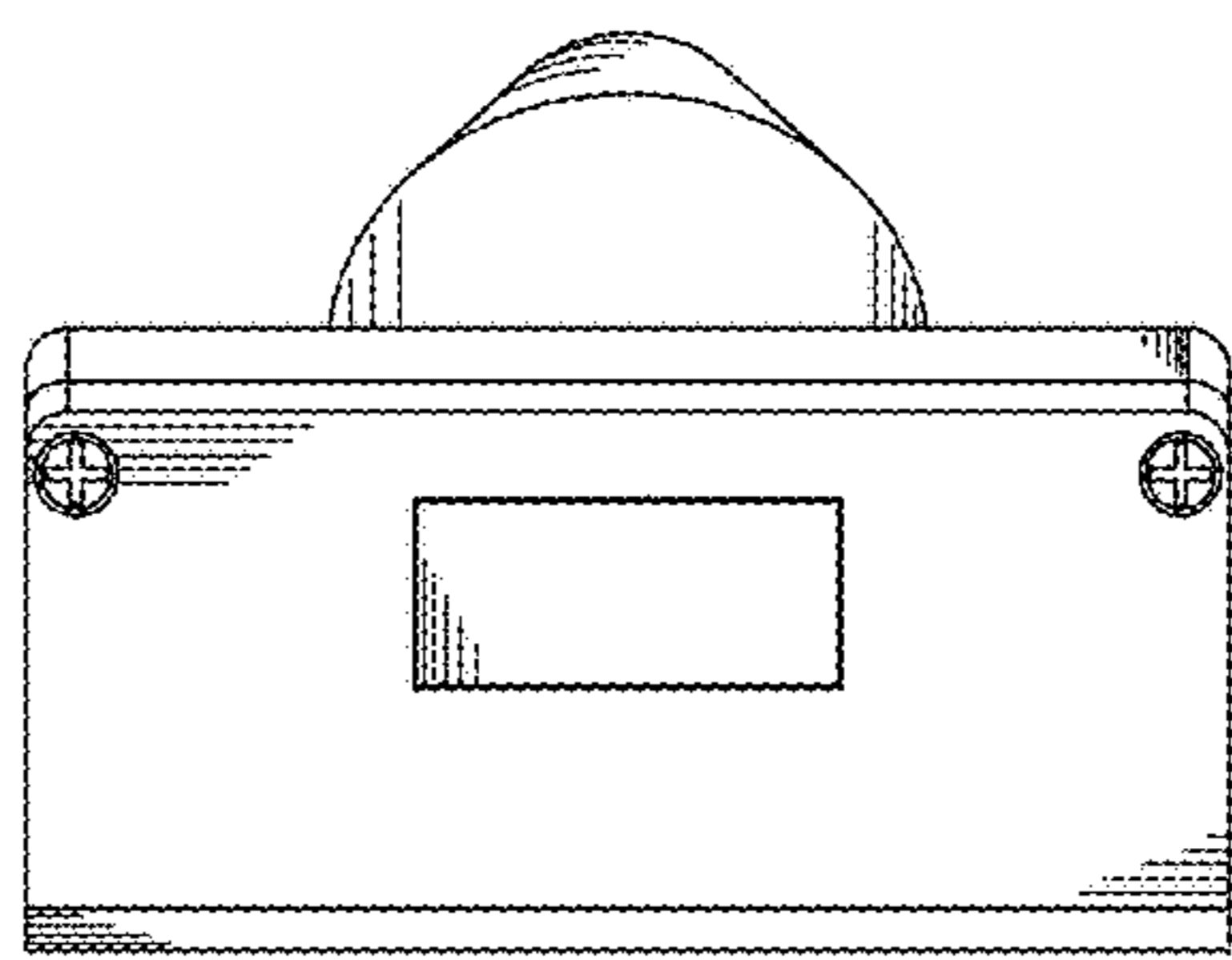


FIG. 3

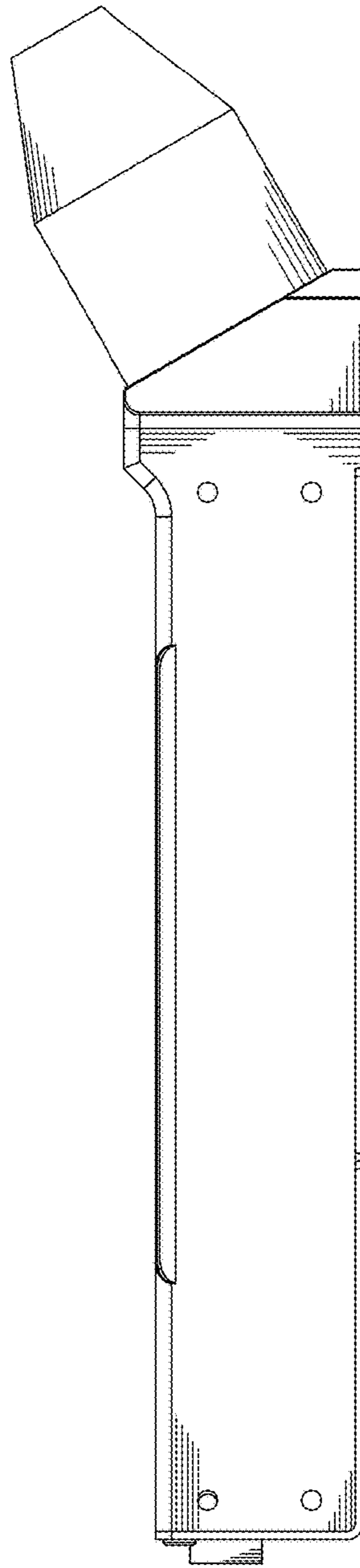


FIG. 4

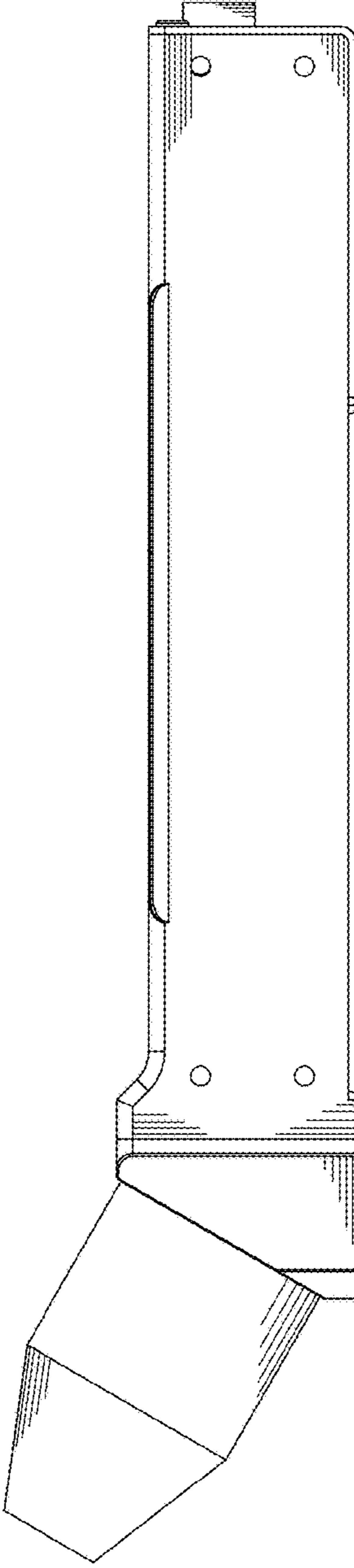


FIG. 5

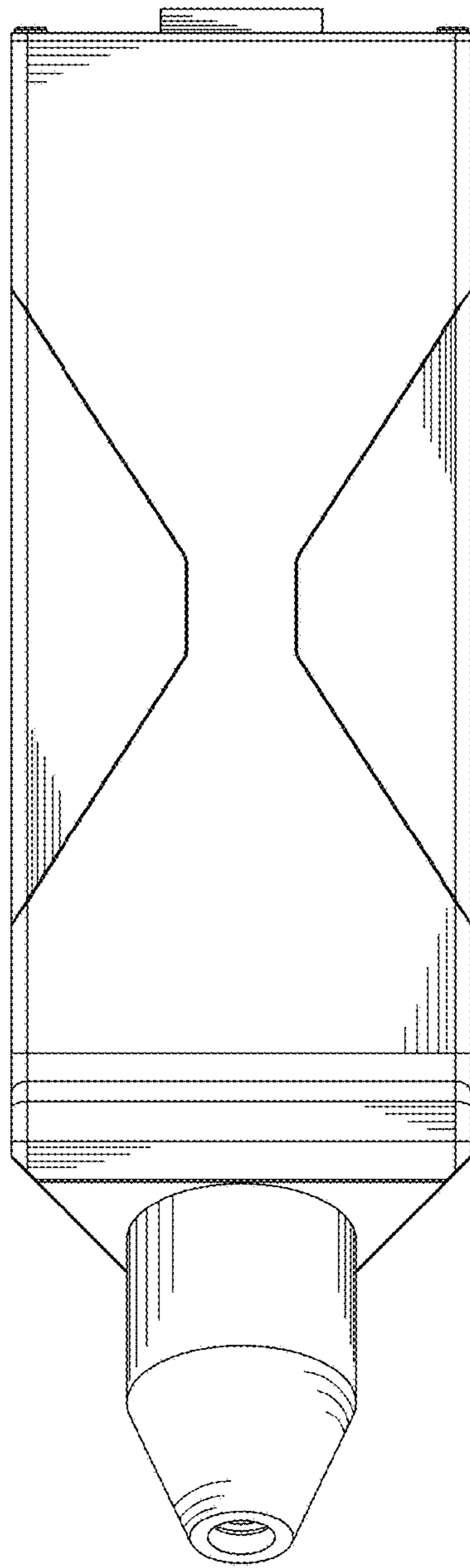


FIG. 6

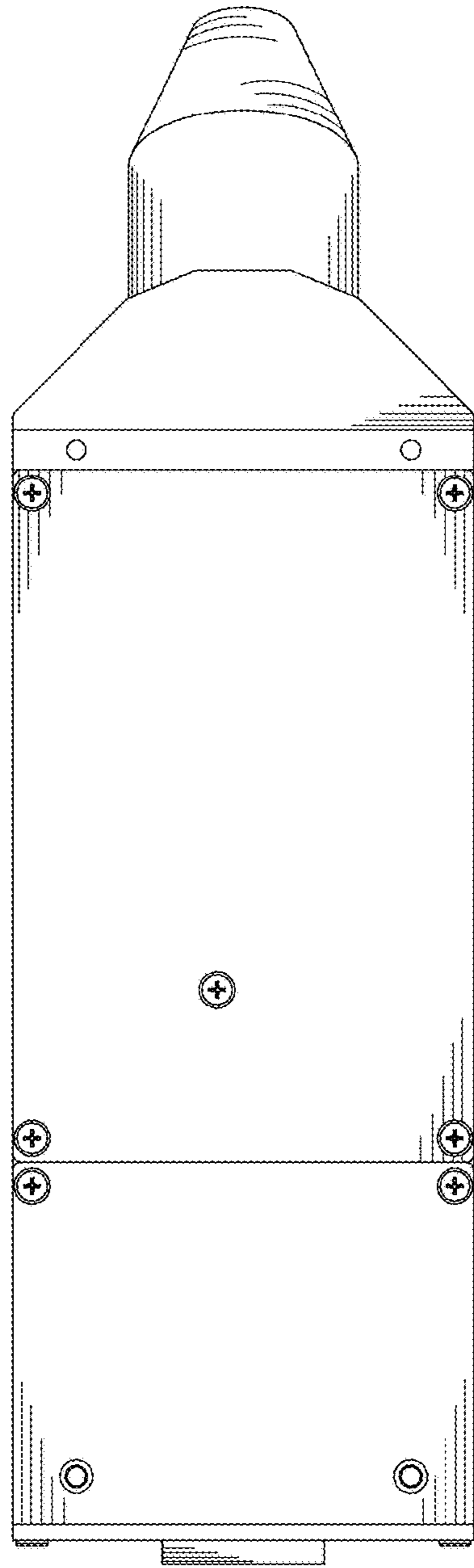


FIG. 7