



US00D859657S

(12) **United States Design Patent** (10) **Patent No.:** **US D859,657 S**
Ostrovsky et al. (45) **Date of Patent:** **** Sep. 10, 2019**

(54) **ENDOSCOPE DISTAL TIP ATTACHMENT**

2013/0096550 A1 4/2013 Hill
2015/0148606 A1 5/2015 Rottenberg et al.
2017/0112365 A1 4/2017 Ostrovsky et al.
2018/0168437 A1* 6/2018 Schreiner A61B 1/00101

(71) Applicant: **HOYA Corporation**, Tokyo (JP)

(72) Inventors: **Isaac Ostrovsky**, Wellesley, MA (US);
Azadeh Khanicheh, Somerville, MA (US);
Hrishikesh Vishvas Deo, Brooklyn, NY (US);
Robb Morse Gavalis, Westborough, MA (US)

FOREIGN PATENT DOCUMENTS

JP 2003-339631 12/2003
WO WO 2017068404 A1 4/2017

(73) Assignee: **HOYA CORPORATION**, Tokyo (JP)

OTHER PUBLICATIONS

(**) Term: **15 Years**

PCT Notification of Transmittal of the International Search Report and the Written Opinion of the International Searching Authority issued in International Application No. PCT/IB2016/001056, dated Oct. 24, 2016.

(21) Appl. No.: **29/599,888**

(Continued)

(22) Filed: **Apr. 7, 2017**

(51) **LOC (12) Cl.** **24-02**

Primary Examiner — Eliza Z Bennett-Hattan

(52) **U.S. Cl.**
USPC **D24/138**

(74) *Attorney, Agent, or Firm* — Finnegan, Henderson, Farabow, Garrett & Dunner, LLP

(58) **Field of Classification Search**
USPC D24/138, 137, 127, 113, 108, 133
CPC A61B 1/00126
See application file for complete search history.

(57) **CLAIM**

The ornamental design for an endoscope distal tip attachment, as shown and described.

(56) **References Cited**

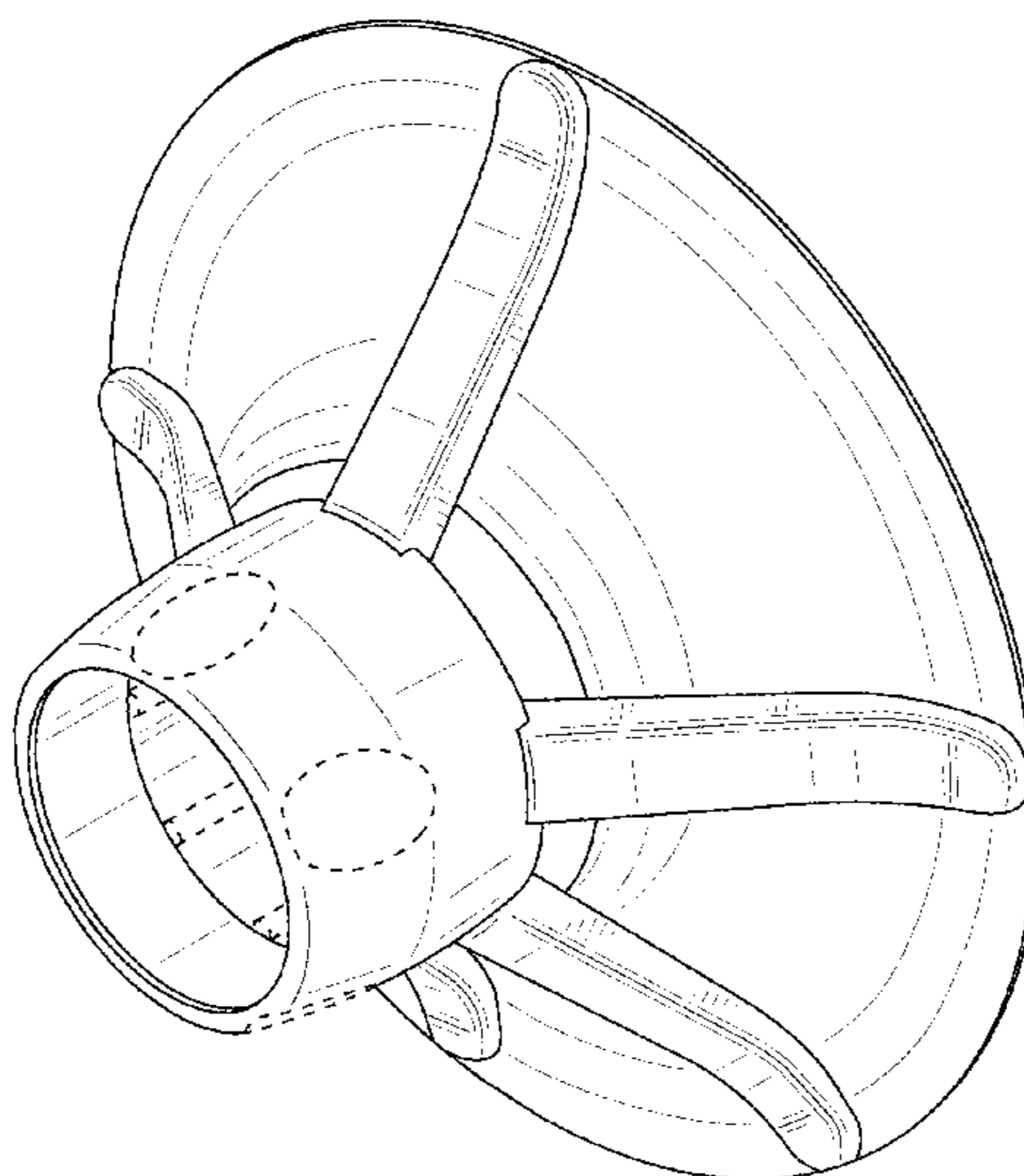
DESCRIPTION

U.S. PATENT DOCUMENTS

1,675,469 A * 7/1928 Schreiner B23B 51/0406
408/200
D241,984 S * 10/1976 Lahay D24/127
D242,491 S * 11/1976 Campagna D24/127
D397,436 S * 8/1998 Michelson D24/133
D484,241 S * 12/2003 Peters D24/108
D616,094 S * 5/2010 Boone, III D24/133
D637,288 S * 5/2011 Houghton D24/133
D650,074 S * 12/2011 Hunt D24/133
D650,075 S * 12/2011 Anglay D24/130
D747,457 S * 1/2016 Glace D24/108
D757,935 S * 5/2016 Solingen D24/133
D816,215 S * 4/2018 Dolgin D24/127
2006/0161046 A1 7/2006 Ouchi

FIG. 1 is a bottom, rear, left perspective view of an endoscope distal tip attachment, showing our new design; FIG. 2 is a top, front, right perspective view thereof; FIG. 3 is a rear elevation view thereof; FIG. 4 is a front elevation view thereof; FIG. 5 is a right side elevation view thereof; FIG. 6 is a left side elevation view thereof; FIG. 7 is a top plan view thereof; and, FIG. 8 is a bottom plan view thereof. The broken lines of even length shown in the drawings depict portions of the endoscope distal tip attachment that form no part of the claimed design.

1 Claim, 8 Drawing Sheets



(56)

References Cited

OTHER PUBLICATIONS

Design U.S. Appl. No. 29/599,863; Endoscope Tip Attachment; Isaac Ostrovsky et al; filed Apr. 7, 2017.

Design U.S. Appl. No. 29/599,870; Unit Cell of Endoscope Tip Attachment; Isaac Ostrovsky et al; filed Apr. 7, 2017.

Design U.S. Appl. No. 29/599,875; Base of Endoscope Tip Attachment; Isaac Ostrovsky et al; filed Apr. 7, 2017.

Design U.S. Appl. No. 29/599,877; Slanted Base of Endoscope Tip Attachment; Isaac Ostrovsky et al; filed Apr. 7, 2017.

* cited by examiner

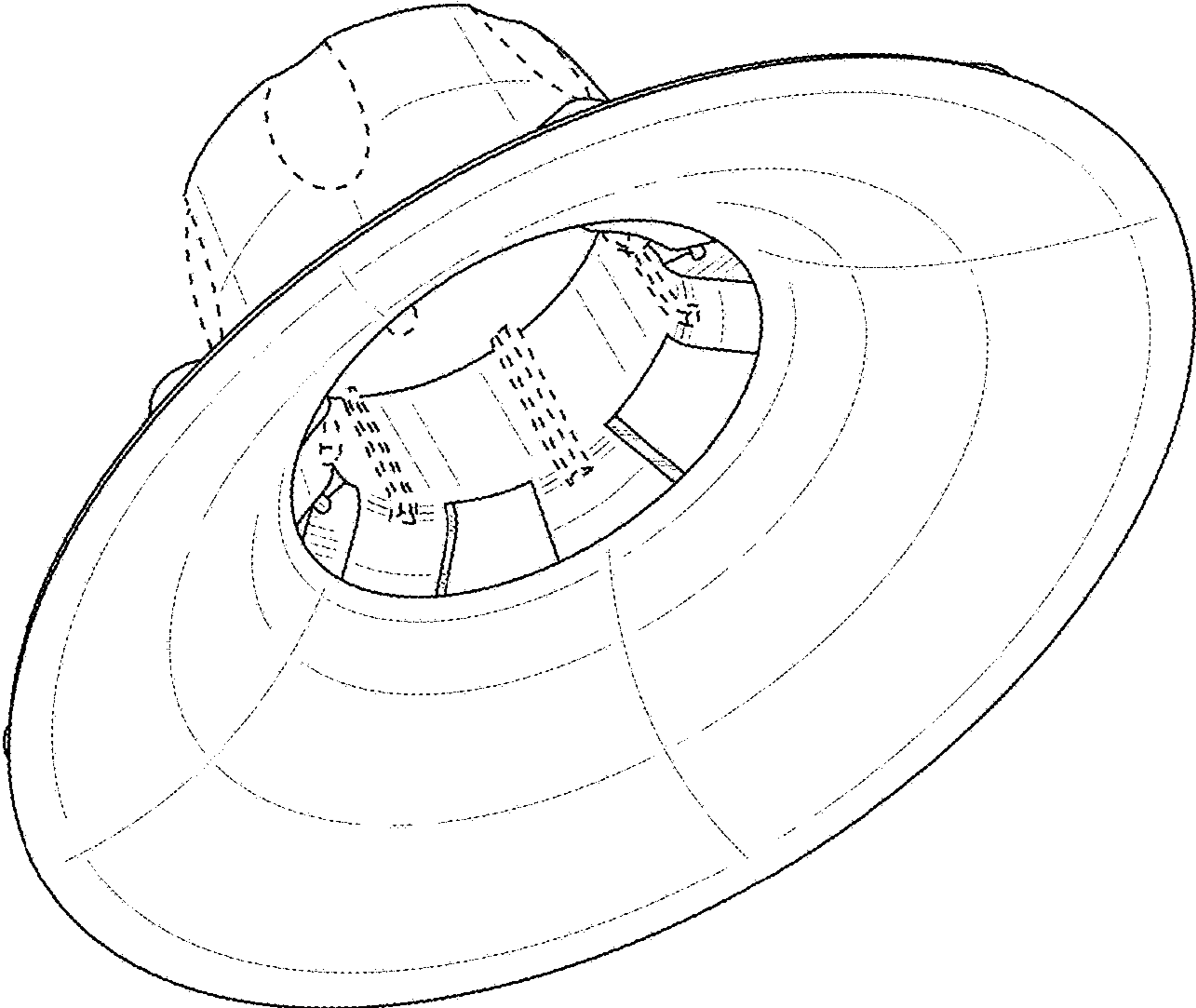


FIG. 1

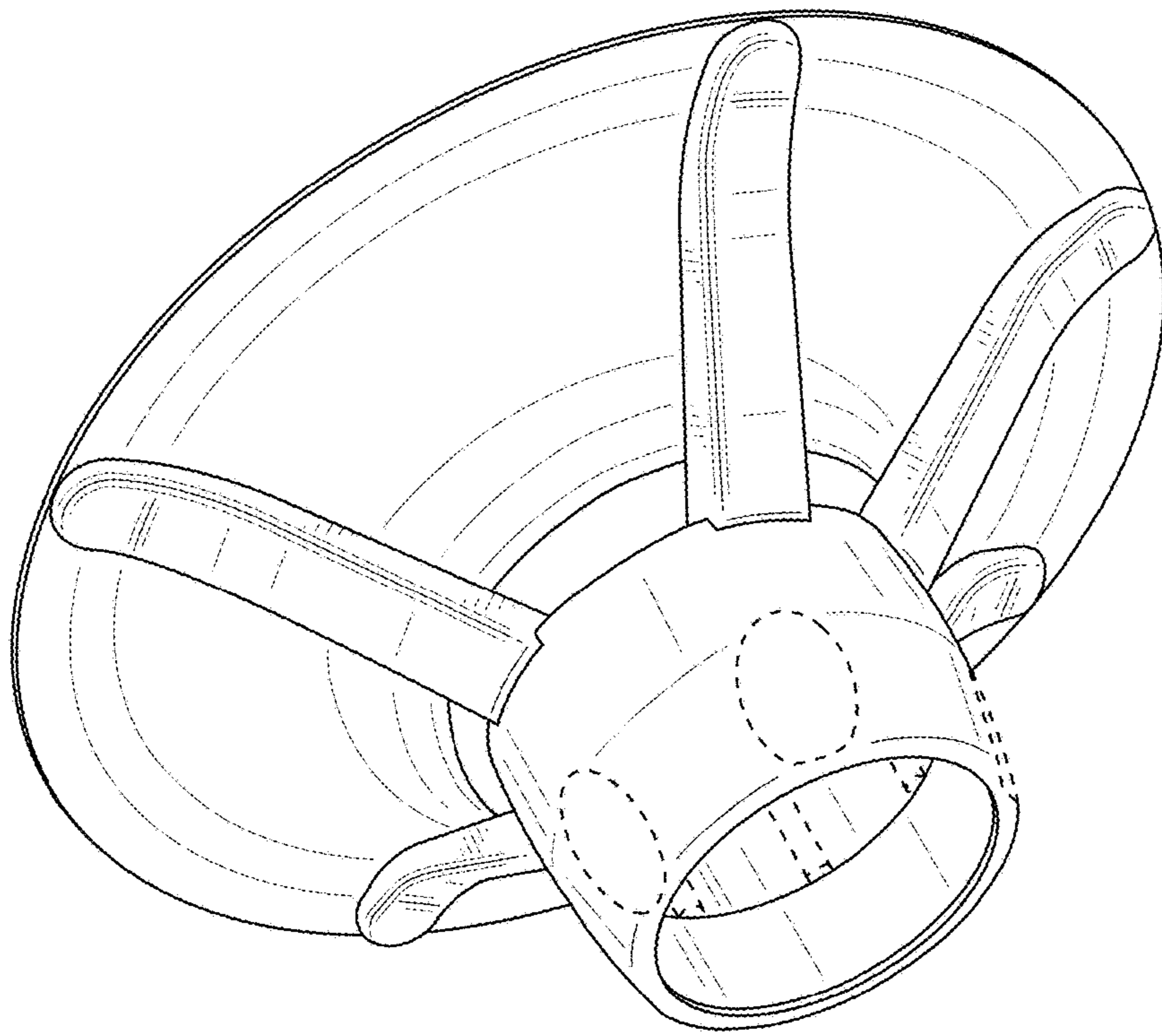


FIG. 2

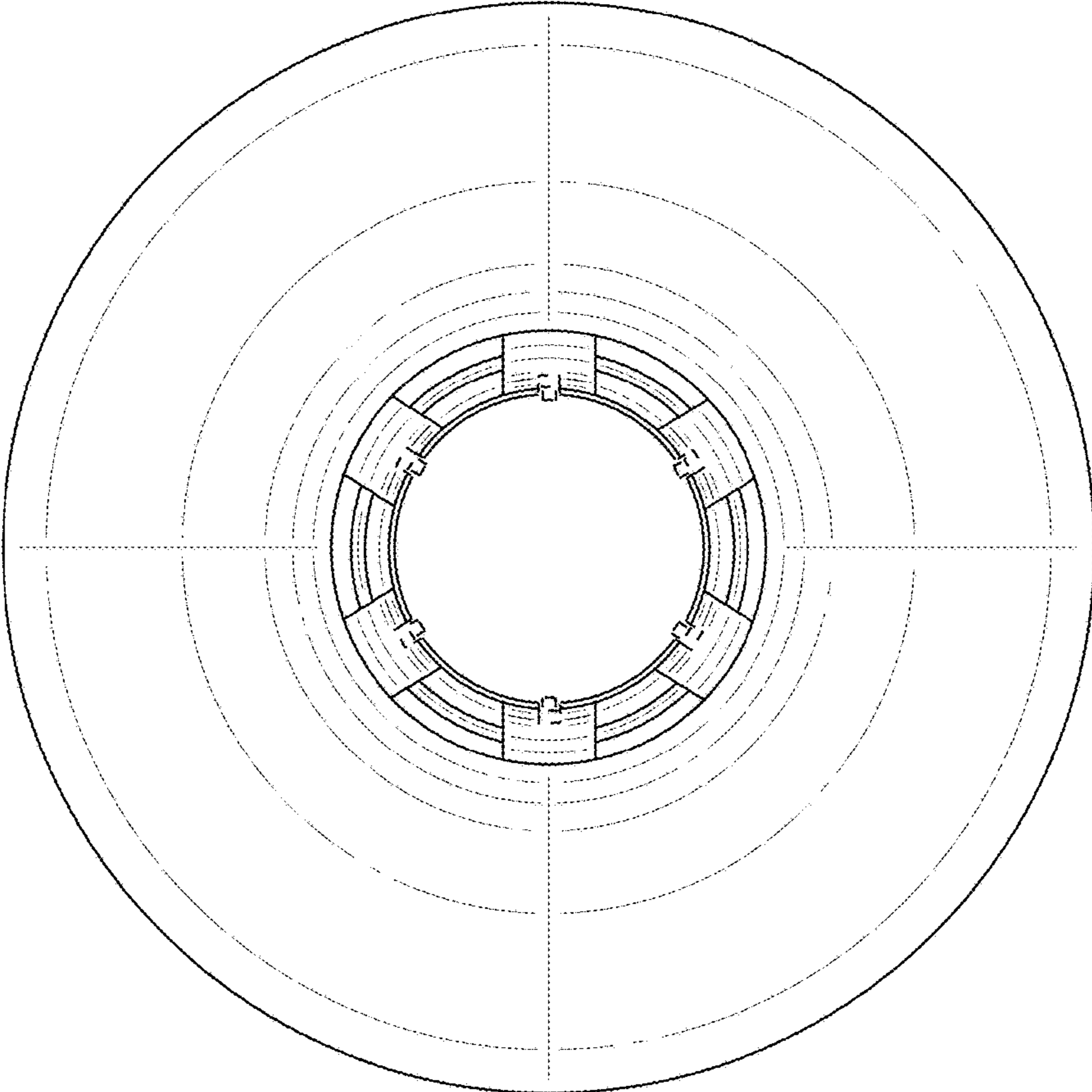


FIG. 3

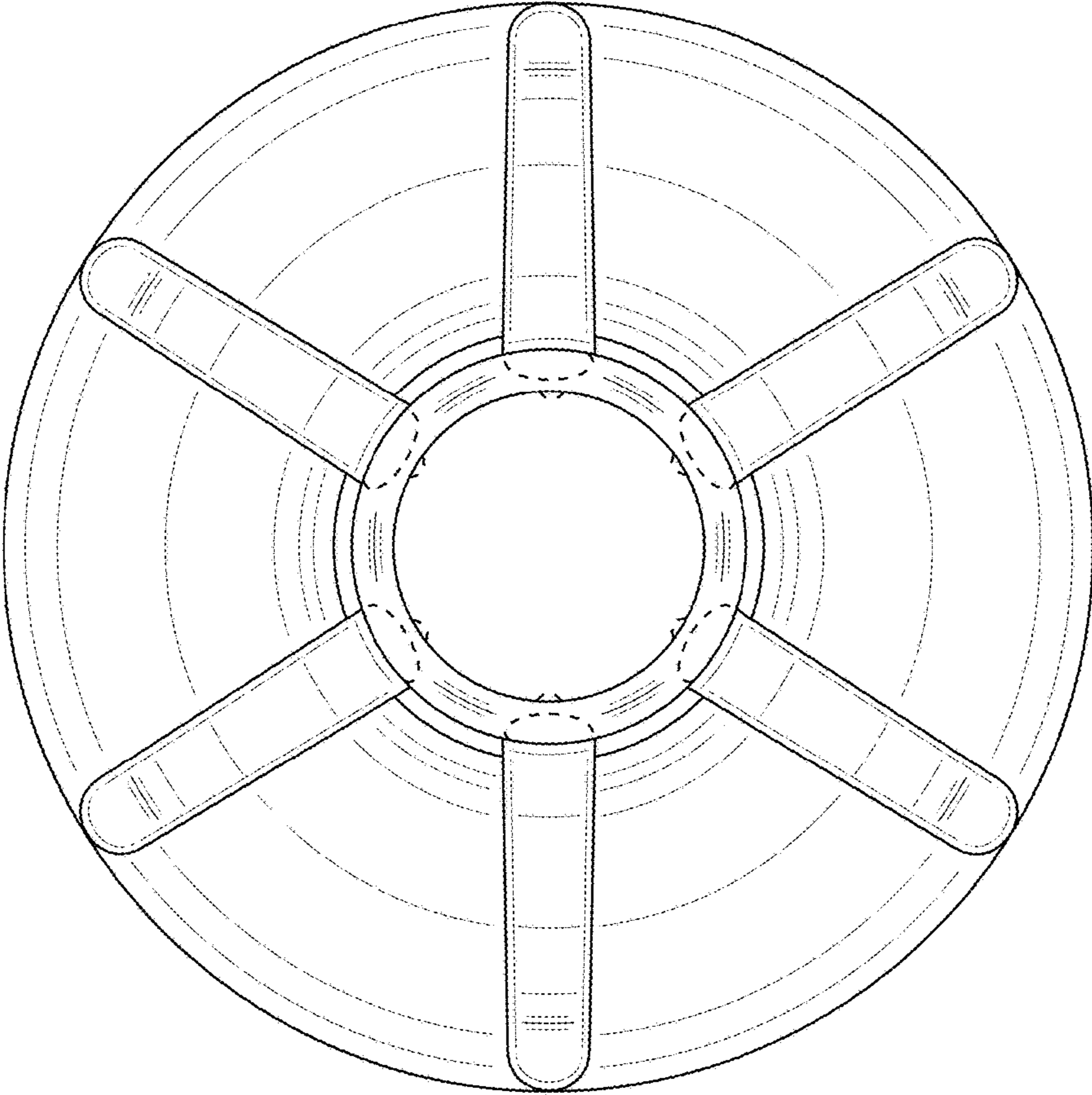


FIG. 4

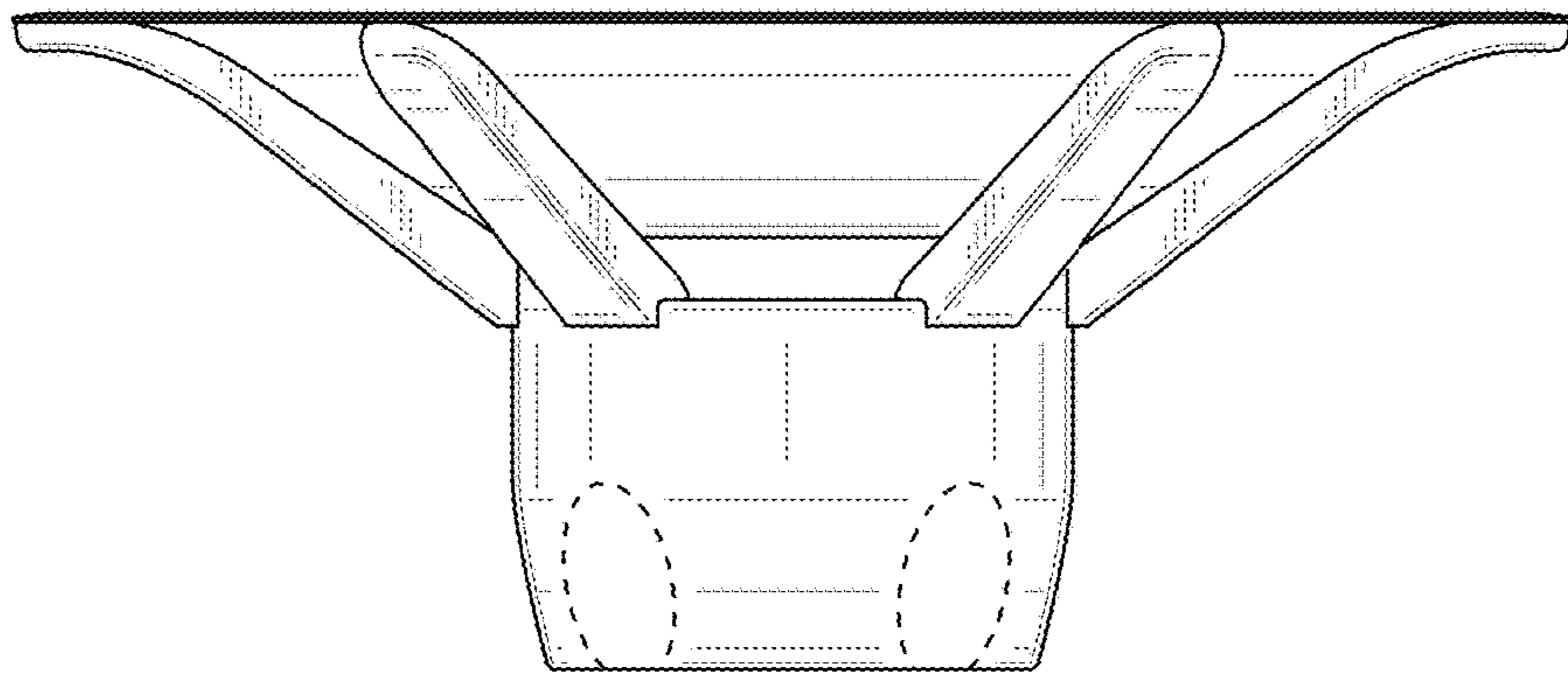


FIG. 5

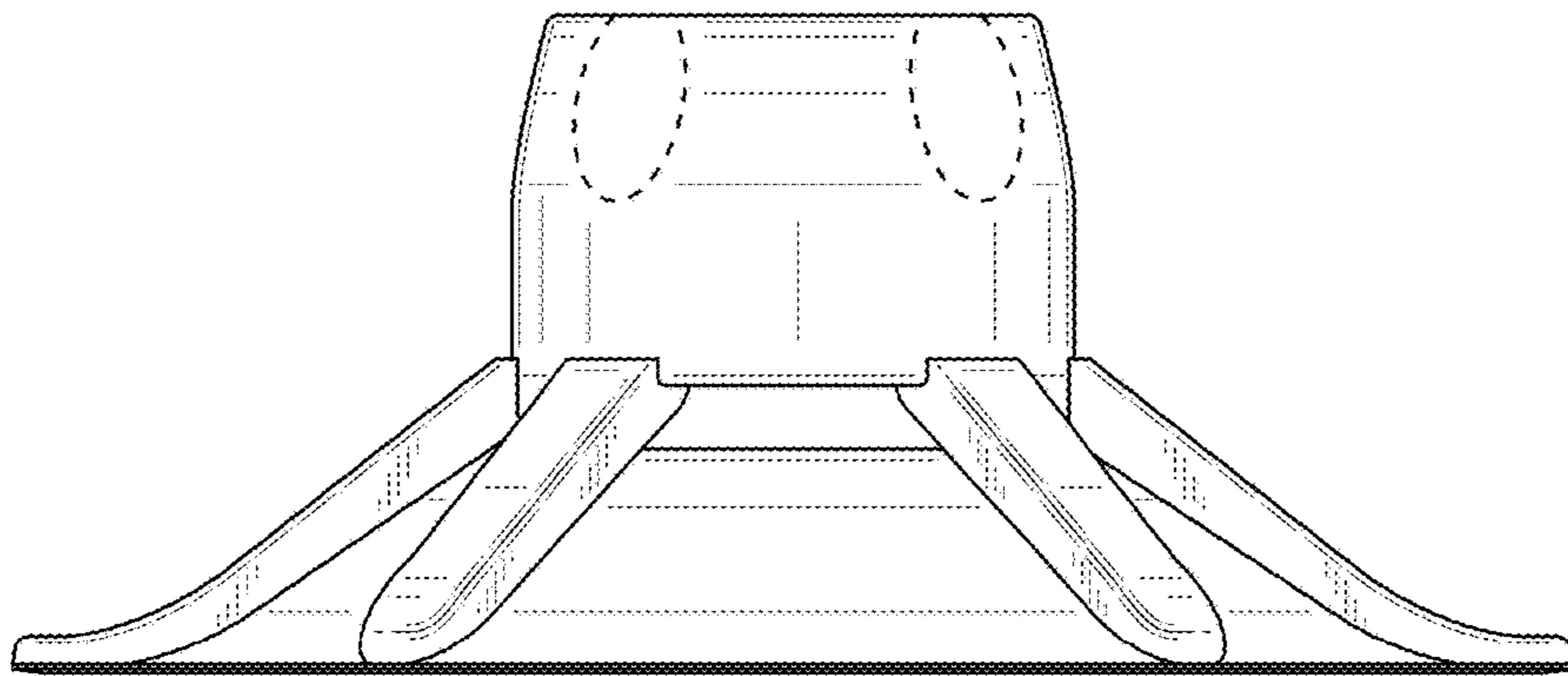


FIG. 6

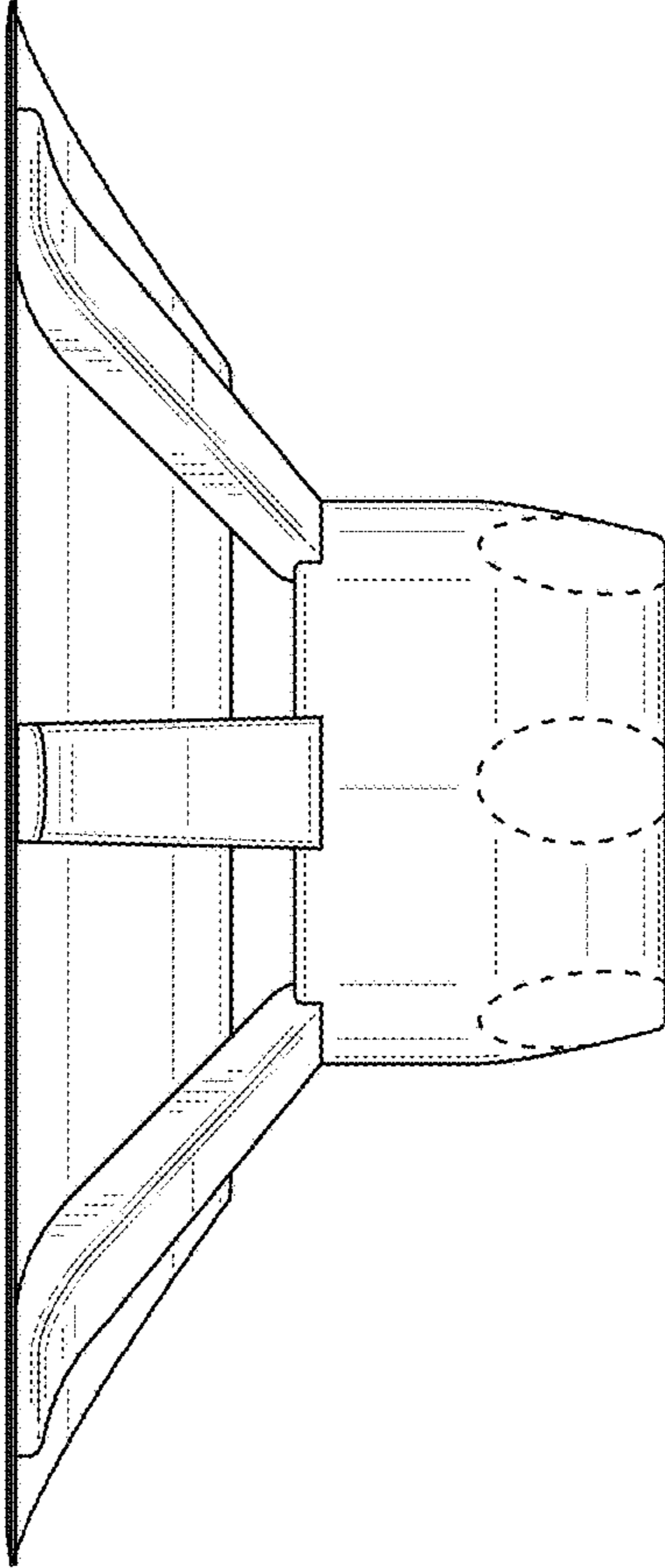


FIG. 7

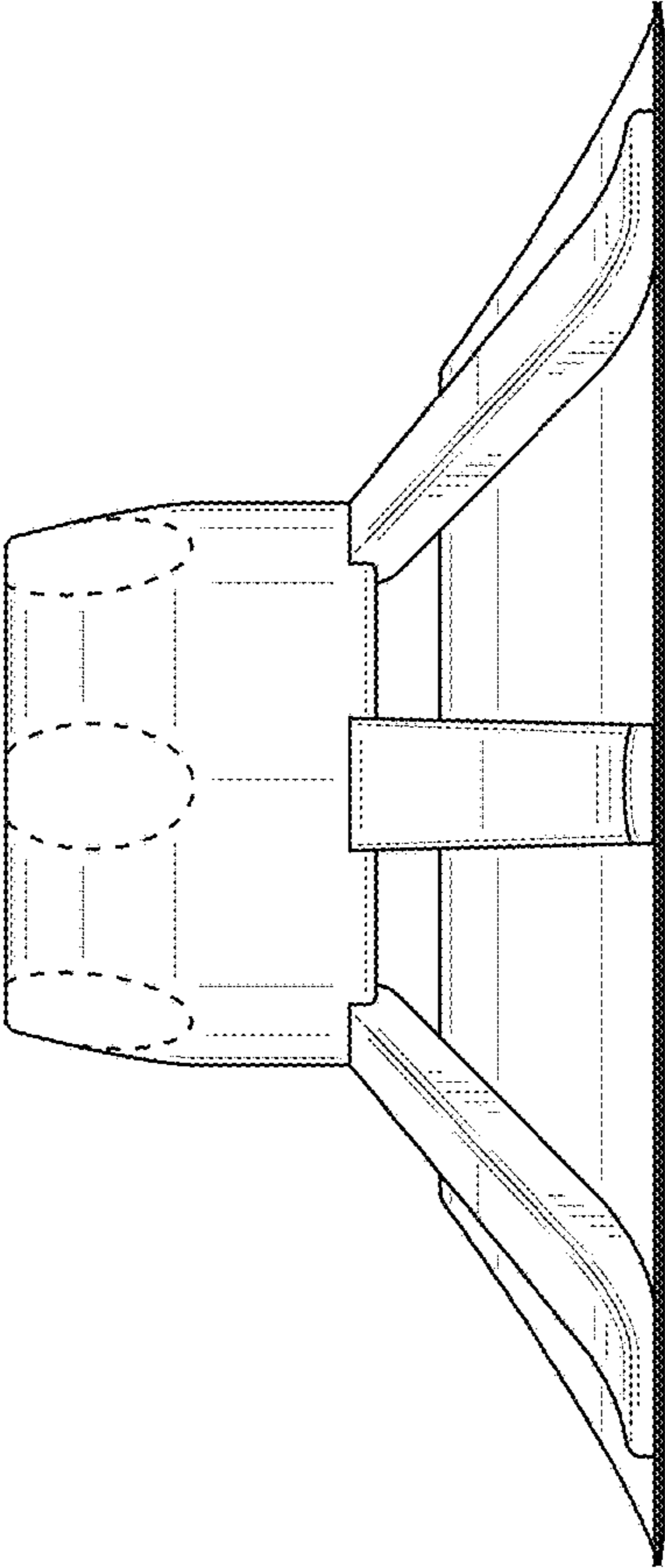


FIG. 8