



US00D859652S

(12) **United States Design Patent** (10) **Patent No.:** **US D859,652 S**
Teufel (45) **Date of Patent:** **** Sep. 10, 2019**

(54) **SCREWDRIVER FOR INTERFERENCE SCREW**

(71) Applicant: **KARL STORZ SE & Co. KG,**
Tuttlingen (DE)

(72) Inventor: **Felix Teufel,** Tuttlingen (DE)

(73) Assignee: **KARL STORZ SE & Co. KG,**
Tuttlingen (DE)

(**) Term: **15 Years**

(21) Appl. No.: **29/629,944**

(22) Filed: **Dec. 18, 2017**

(30) **Foreign Application Priority Data**

Jun. 16, 2017 (EM) 004050722-0001

(51) **LOC (12) Cl.** **24-02**

(52) **U.S. Cl.**
USPC **D24/133**

(58) **Field of Classification Search**
USPC D8/82, 83, 84, 85, 86, 87, 107, 303;
D7/395; D4/138; D24/133
CPC B25B 15/00; B25B 15/001; B25B 15/02;
B25B 15/04; B25G 1/005; B25G 1/063;
A61B 17/8875; A61B 17/887; A61B
17/888

See application file for complete search history.

(56) **References Cited**

U.S. PATENT DOCUMENTS

2,312,869 A * 3/1943 Boyer A61B 17/8891
81/438
4,858,504 A * 8/1989 Tsai B25B 15/02
81/436
5,478,342 A * 12/1995 Kohrs A61B 17/8685
606/310
5,484,440 A * 1/1996 Allard A61B 17/861
128/898
D442,843 S * 5/2001 Hsu D8/107

6,436,100 B1 * 8/2002 Berger A61B 17/60
411/394
D482,591 S * 11/2003 Lisle D8/107
D585,547 S * 1/2009 Bisleri D24/133
9,358,060 B2 * 6/2016 Jerke A61B 17/8875
D829,524 S * 10/2018 Su D8/83
D840,031 S * 2/2019 Teufel D24/140
2008/0318450 A1 * 12/2008 Regnier H05K 1/0222
439/78
2013/0268010 A1 * 10/2013 Santangelo A61B 17/8883
606/304

* cited by examiner

Primary Examiner — Philip S Hyder

(74) *Attorney, Agent, or Firm* — Muncy, Geissler, Olds & Lowe, P.C.

(57) **CLAIM**

The ornamental design for a screwdriver for interference screw, as shown and described.

DESCRIPTION

FIG. 1 is a front perspective view of a screwdriver for interference screw according to the present invention.

FIG. 2 is a front view of the screwdriver for interference screw of FIG. 1.

FIG. 3 is a rear view of the screwdriver for interference screw of FIG. 1.

FIG. 4 is a left side view of the screwdriver for interference screw of FIG. 1.

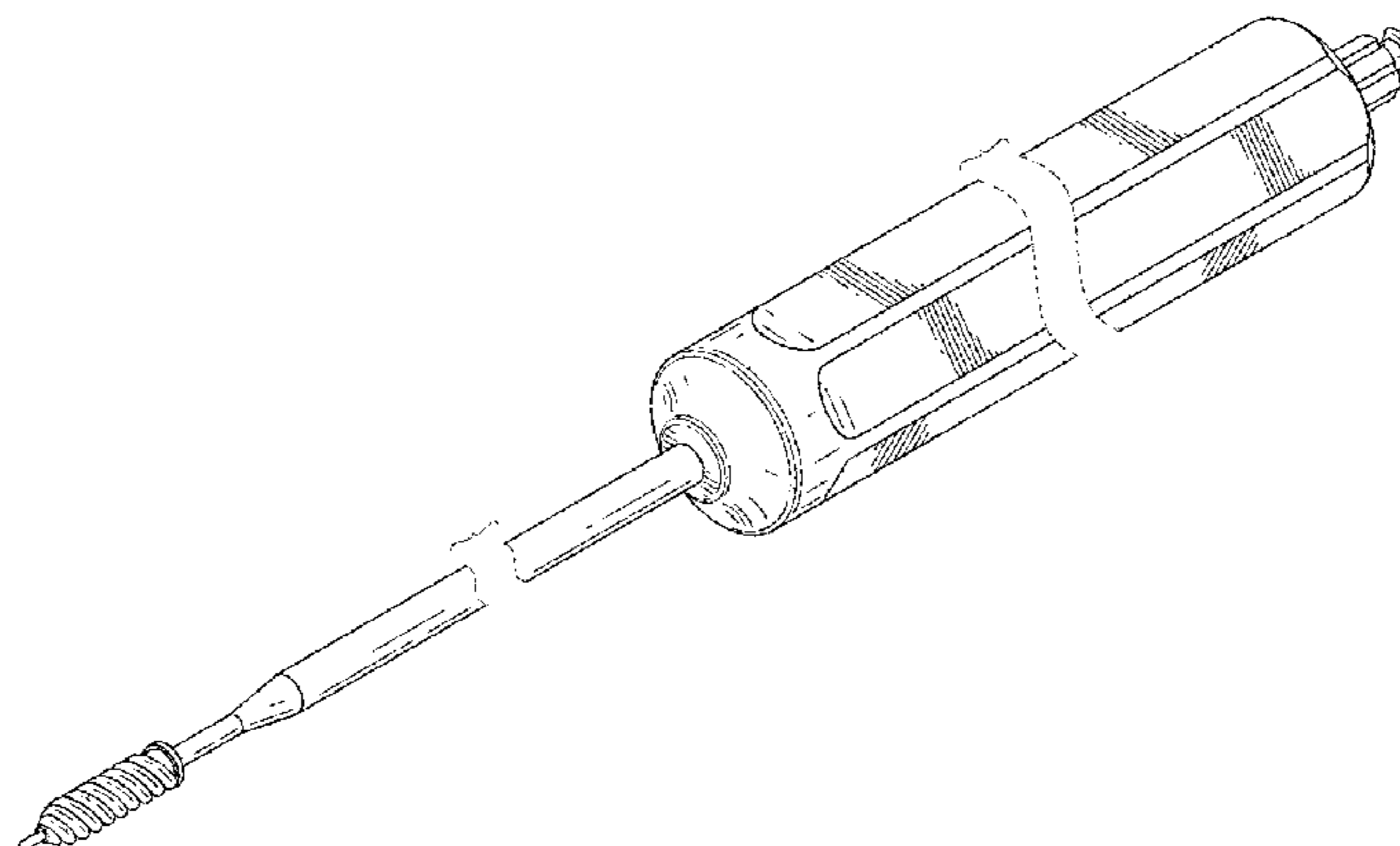
FIG. 5 is a right side view of the screwdriver for interference screw of FIG. 1.

FIG. 6 is a top view of the screwdriver for interference screw of FIG. 1; and,

FIG. 7 is a bottom view of the screwdriver for interference screw of FIG. 1.

The dashed lines illustrate environment that does not form a part of the present invention, and no claim is made to the material illustrated with dashed lines.

1 Claim, 7 Drawing Sheets



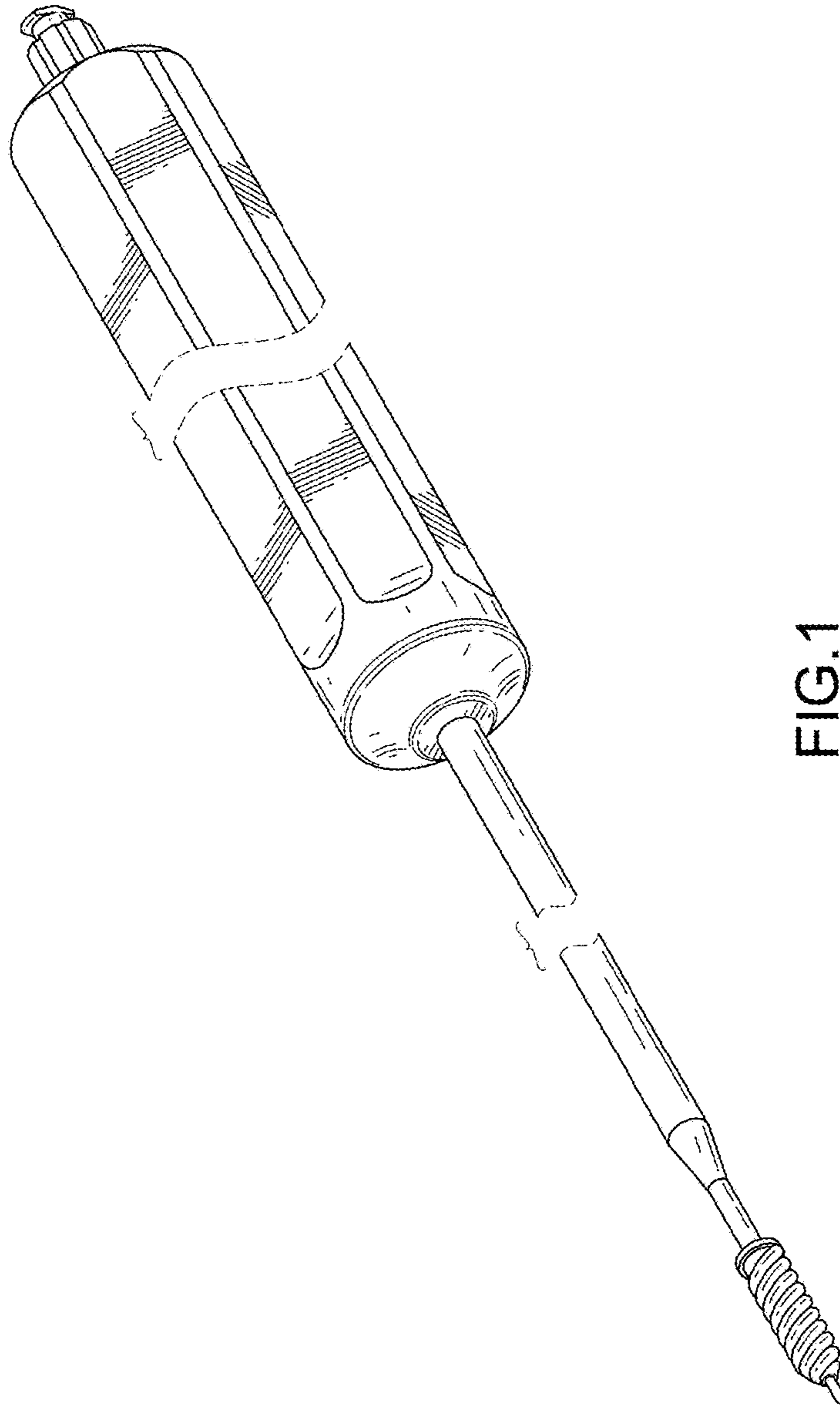


FIG.1

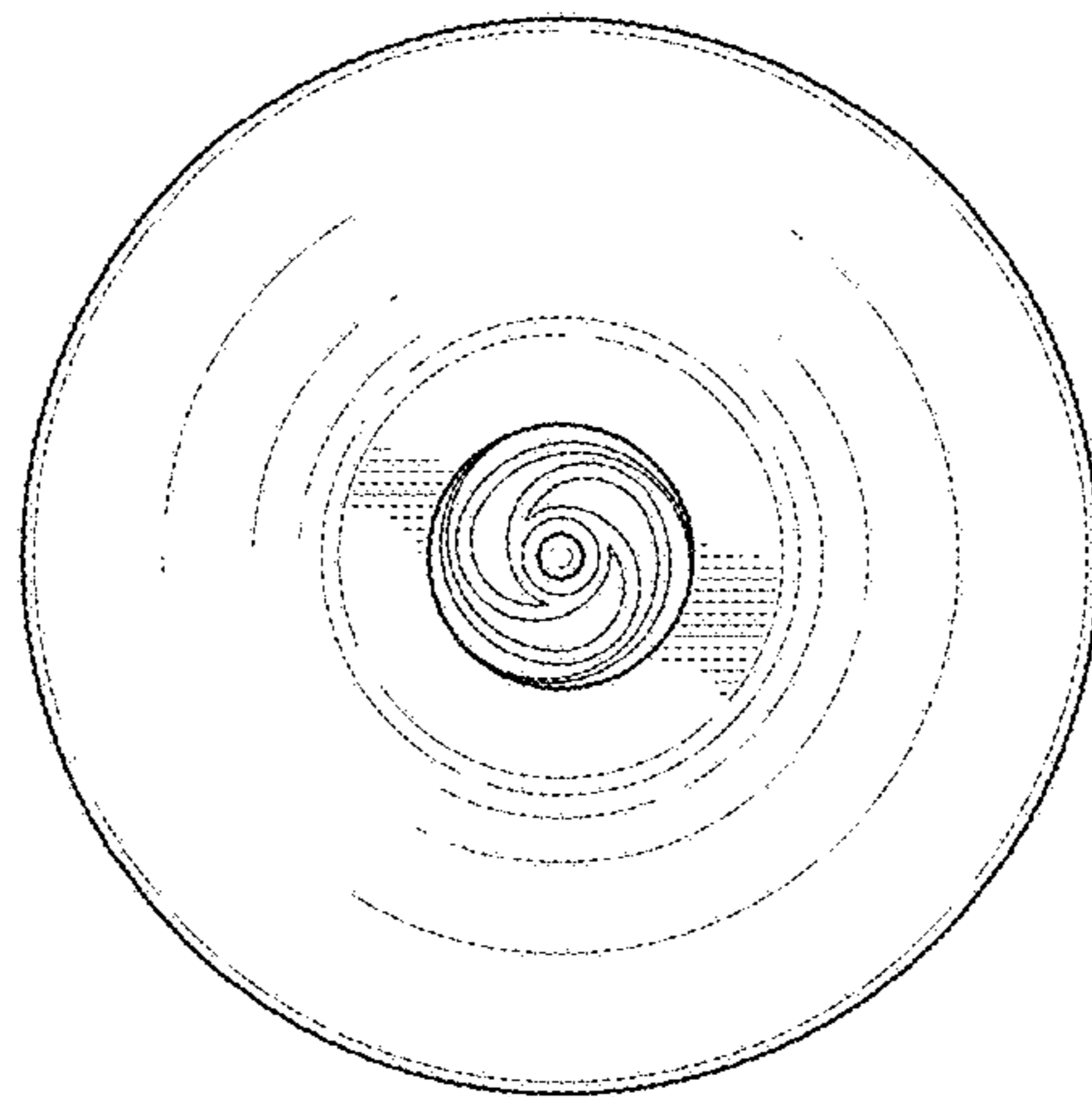


FIG.2

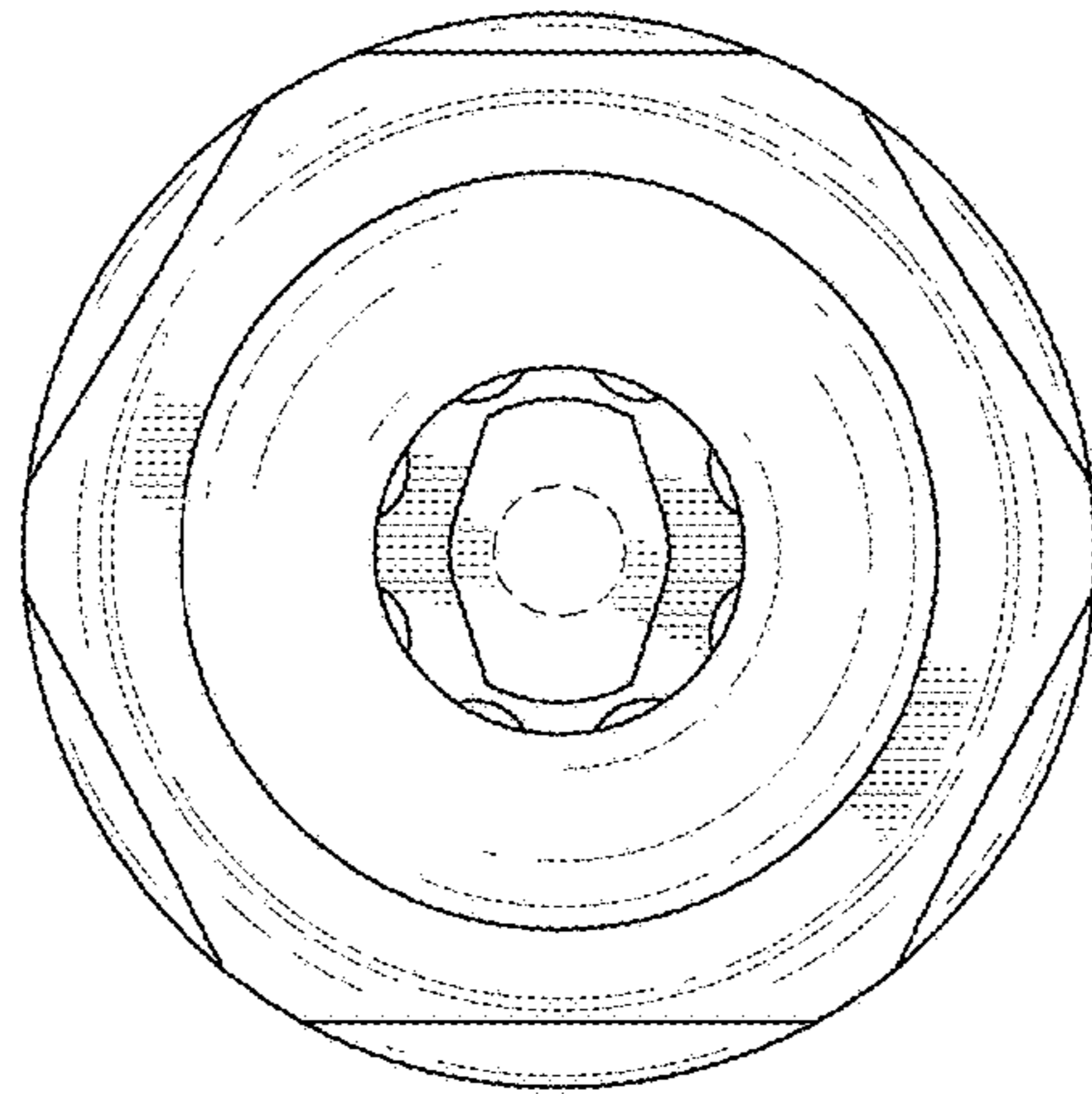


FIG.3

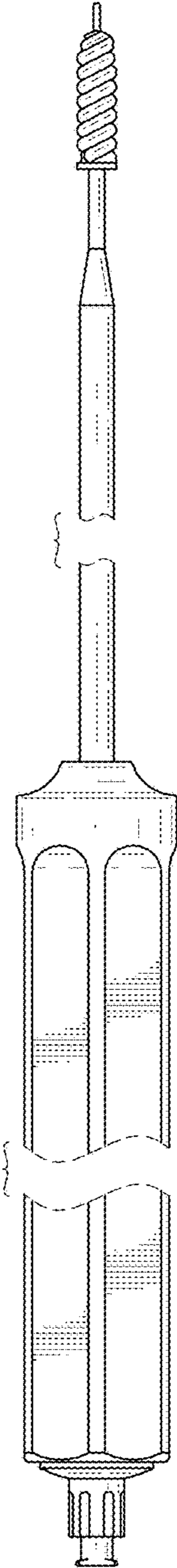


FIG.4

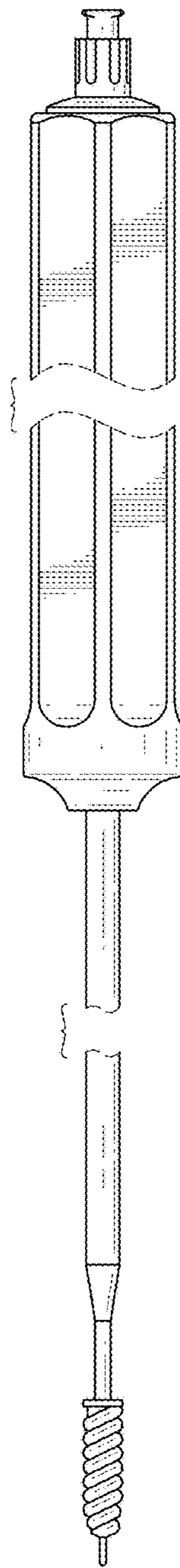


FIG.5

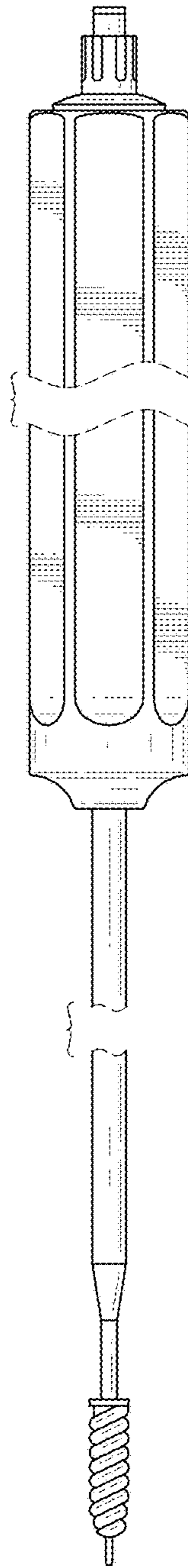


FIG.6

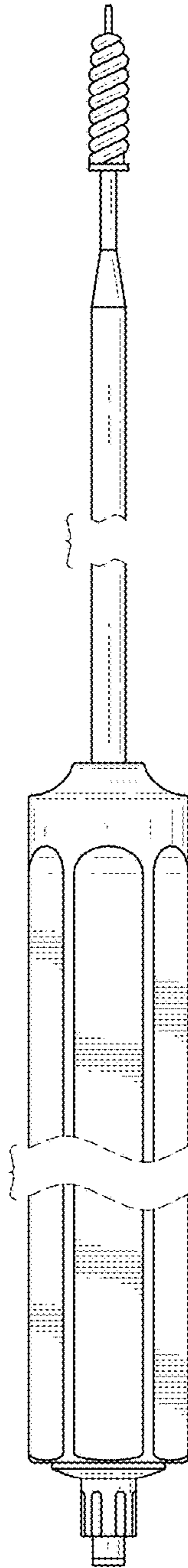


FIG.7