



US00D859650S

(12) **United States Design Patent** (10) **Patent No.:** **US D859,650 S**
Steele et al. (45) **Date of Patent:** **** Sep. 10, 2019**

(54) **ENTERAL FEEDING CONNECTOR COMPONENT**

(56) **References Cited**

(71) Applicant: **NORDSON CORPORATION**,
Westlake, OH (US)
(72) Inventors: **Kyle R. Steele**, Windsor, CO (US);
Jonathan Mayer, Ferndale, WA (US)
(73) Assignee: **Nordson Corporation**, Westlake, OH
(US)
(**) Term: **15 Years**
(21) Appl. No.: **29/686,573**
(22) Filed: **Apr. 5, 2019**

U.S. PATENT DOCUMENTS

D637,713 S *	5/2011	Nord	D24/129
D639,939 S *	6/2011	Klockars	D24/129
D640,787 S *	6/2011	Chia	D24/130
D641,080 S *	7/2011	Zinger	D24/129
D654,166 S *	2/2012	Lair	D24/129
D672,460 S *	12/2012	Baid	D24/130
D682,423 S *	5/2013	Becker	D24/133
D690,418 S *	9/2013	Rosenquist	D24/129
D701,304 S *	3/2014	Lair	D24/129
D702,343 S *	4/2014	Dale	D24/129
D714,935 S *	10/2014	Nishioka	D24/130
D718,439 S *	11/2014	Woehr	D24/130
D730,518 S *	5/2015	Lombardi, III	D24/129

* cited by examiner

Primary Examiner — David G Muller

(74) *Attorney, Agent, or Firm* — Baker & Hostetler LLP

(57) **CLAIM**

The ornamental design for enteral feeding connector component, as shown and described.

DESCRIPTION

FIG. 1 is an isometric view of a female enteral feeding connector component;
FIG. 2 is a front view thereof;
FIG. 3 is a rear view thereof;
FIG. 4 is a right side view thereof, with the left side view being a mirror image; and,
FIG. 5 is a top view thereof, with the bottom view being a mirror image.

The broken lines in the figures are shown for the purpose of illustrating boundaries of the claimed design and the areas inside the broken line boundaries form no part of the claimed design.

1 Claim, 3 Drawing Sheets

Related U.S. Application Data

(62) Division of application No. 29/596,522, filed on Mar. 8, 2017, now Pat. No. Des. 852,356, which is a division of application No. 29/498,123, filed on Jul. 31, 2014, now Pat. No. Des. 784,529.

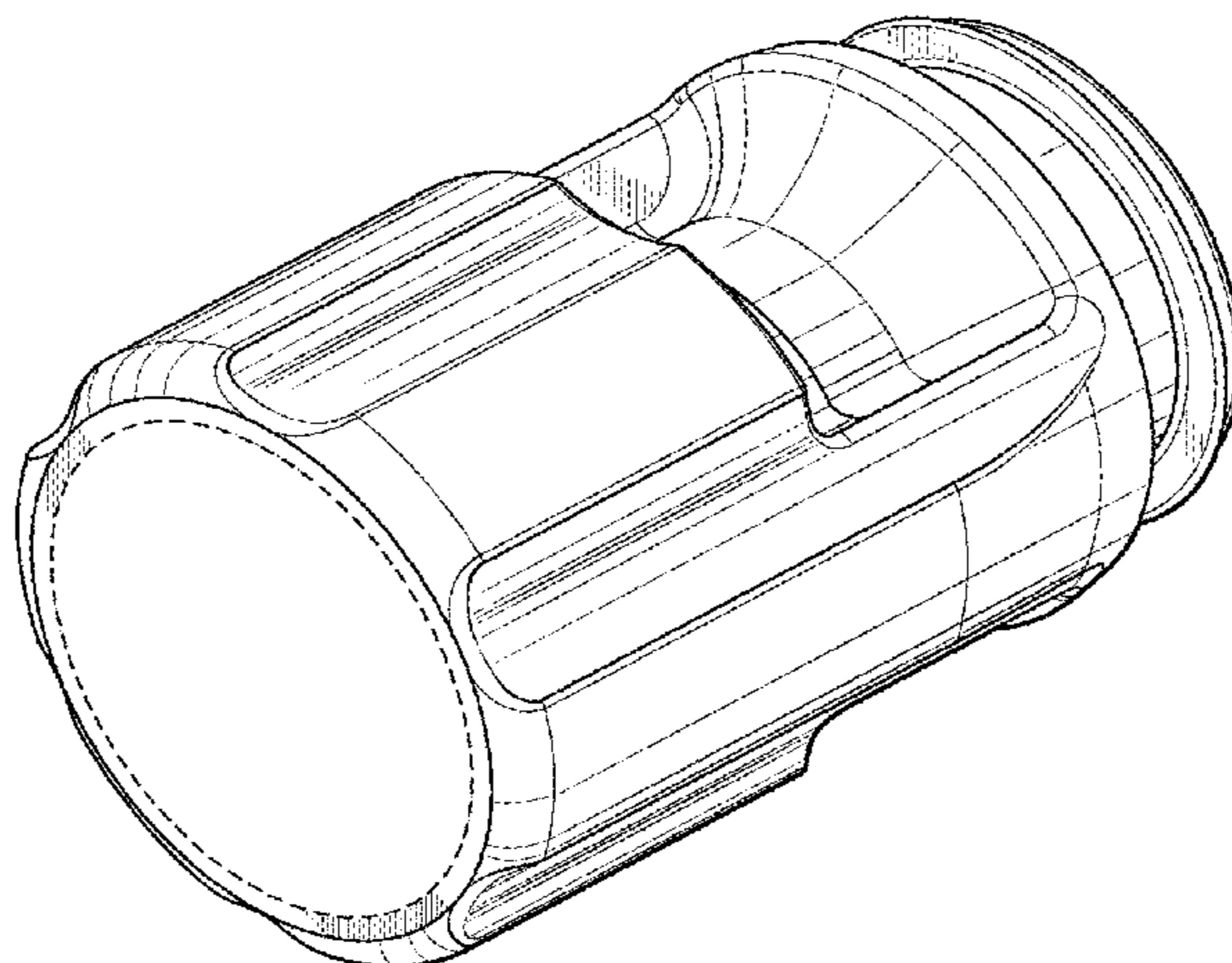
(51) **LOC (12) Cl.** **24-02**

(52) **U.S. Cl.**
USPC **D24/129**

(58) **Field of Classification Search**

USPC D24/127–131, 112–114, 133, 186;
606/181, 185; 604/264, 523–528, 272,
604/187, 158, 164.01–164.11, 181, 184,
604/227; 600/101, 139, 143;
128/200.24, 207.14, 207.15
CPC .. A61M 39/00; A61M 27/00; A61M 25/0043;
A61M 25/0067; A61F 2/958

See application file for complete search history.



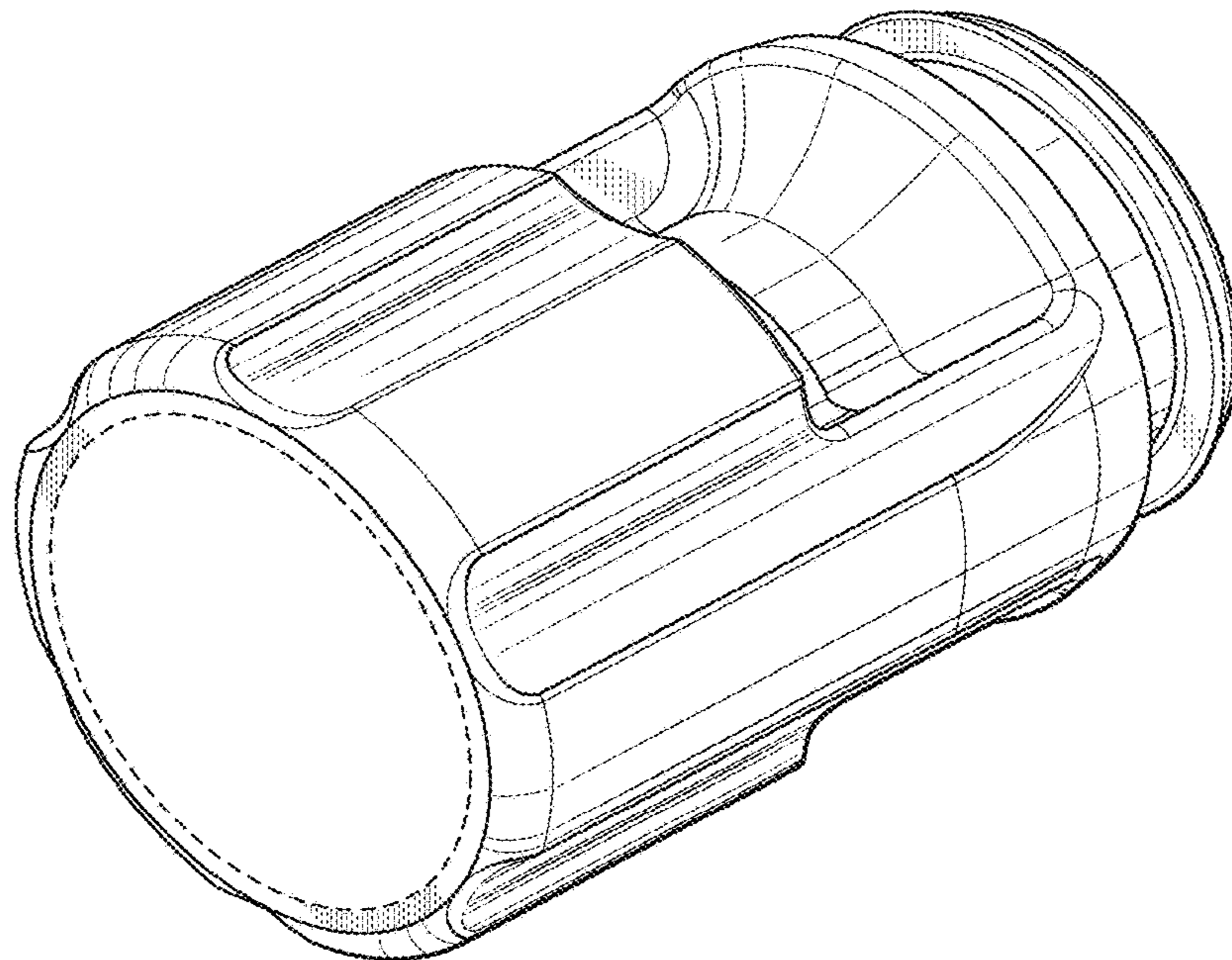


FIG. 1

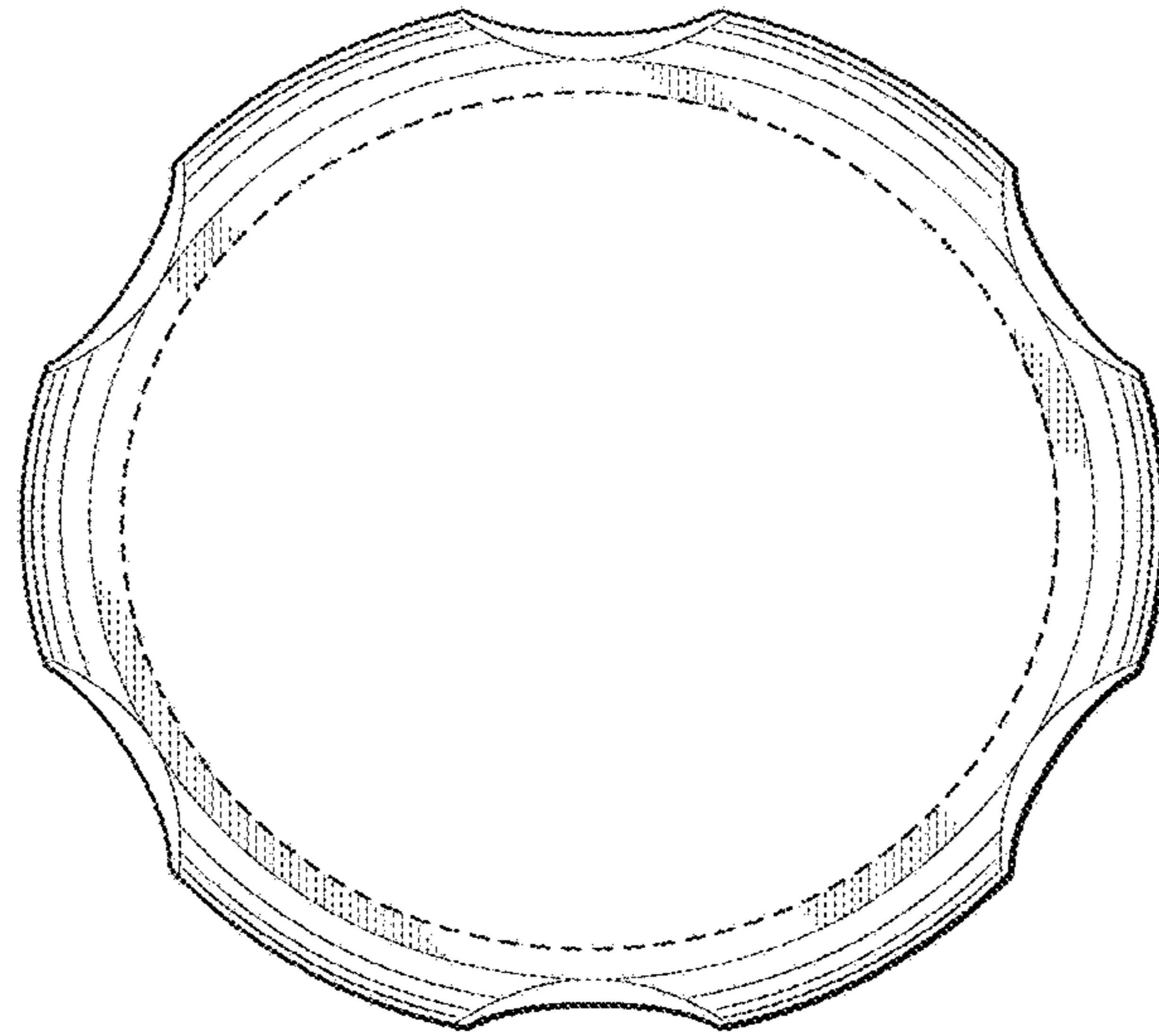


FIG. 2

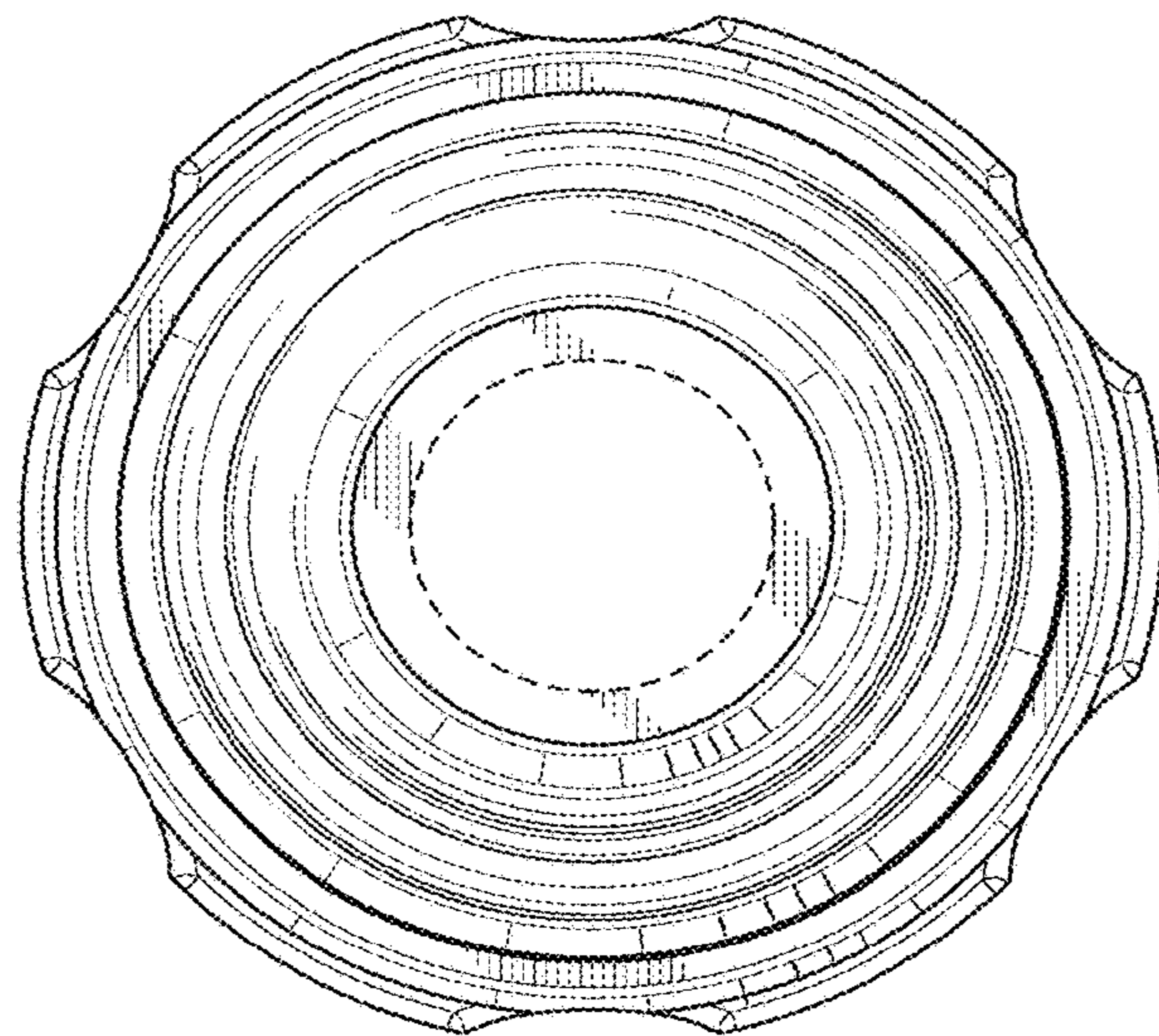


FIG. 3

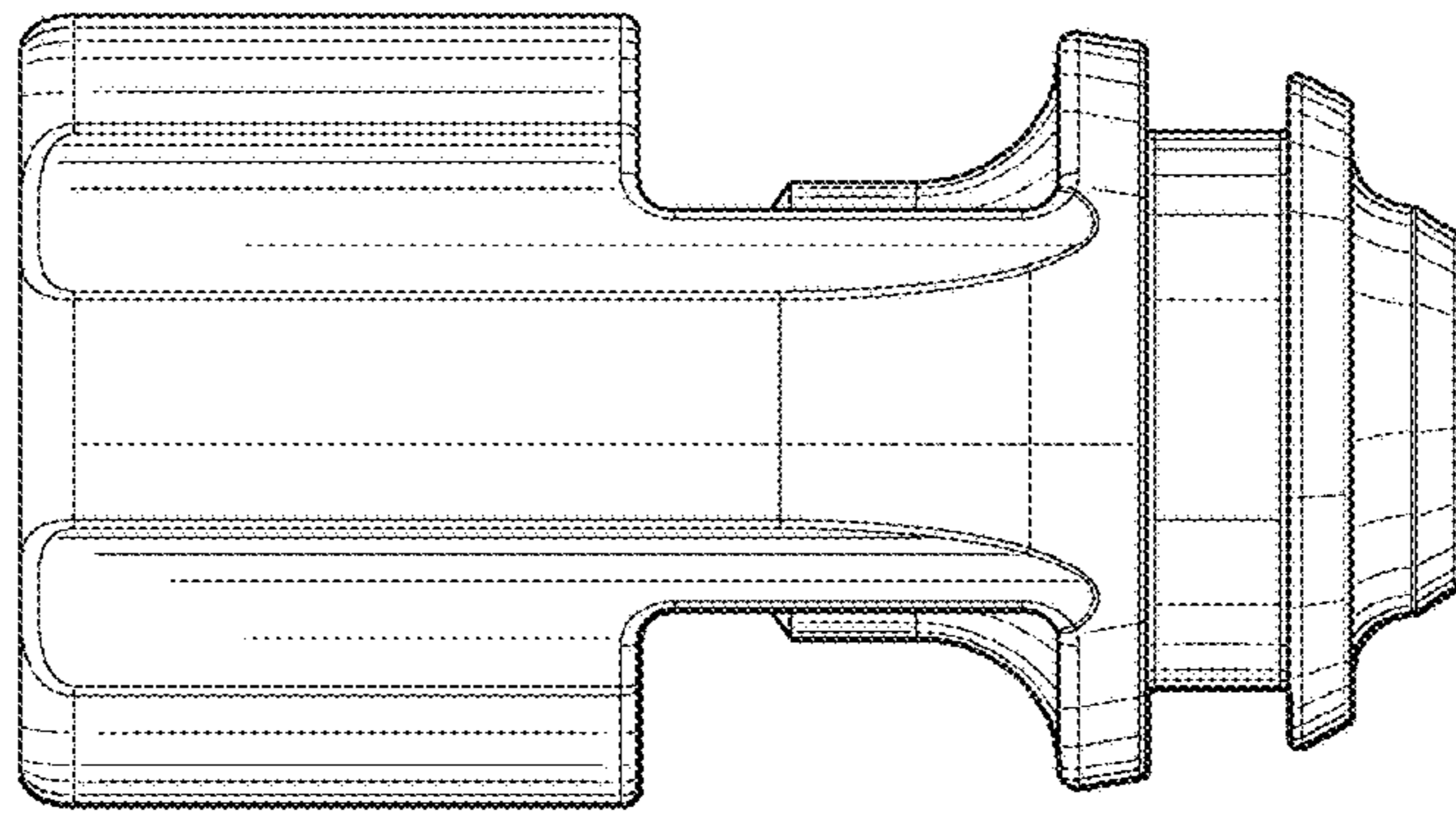


FIG. 4

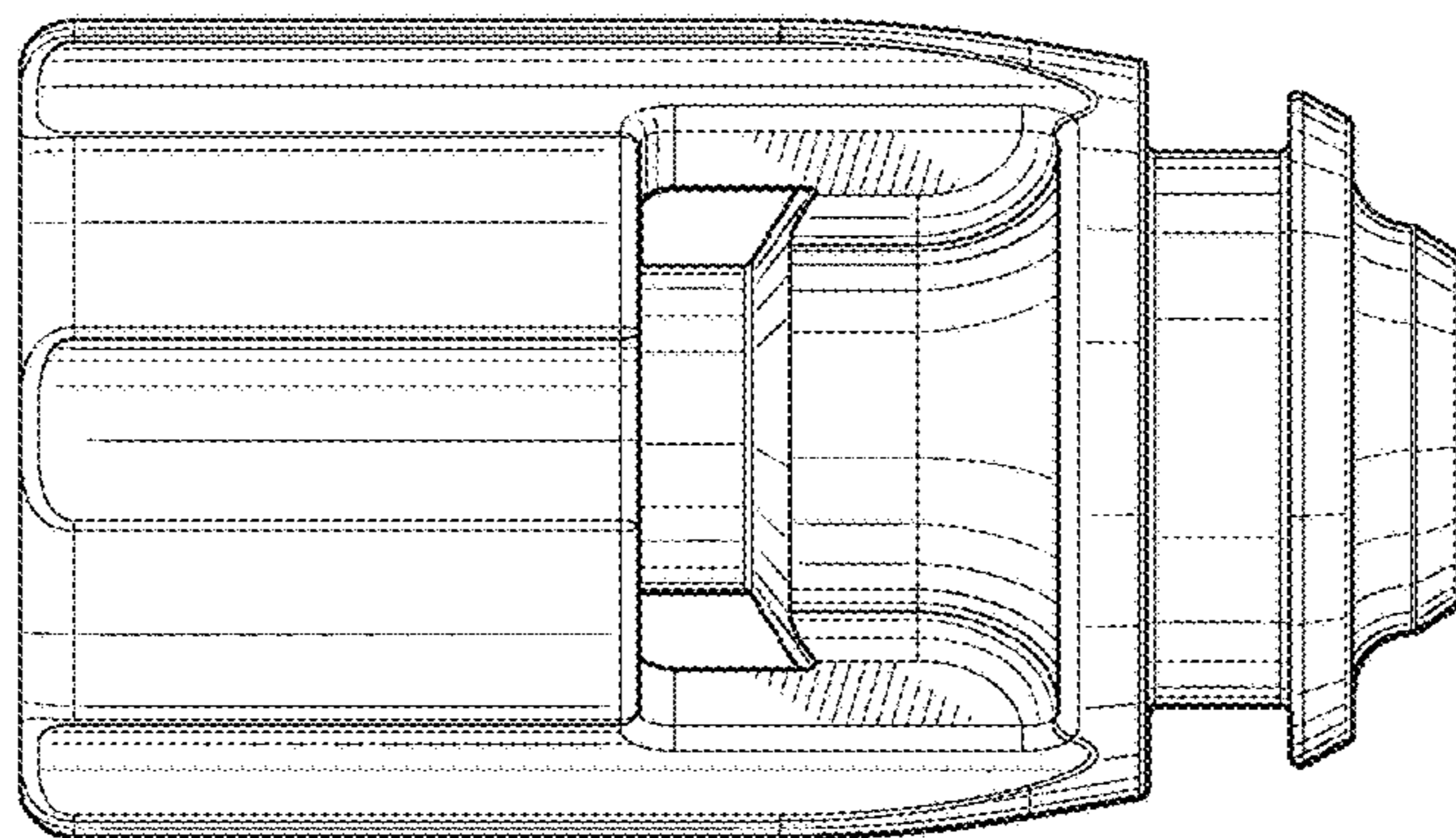


FIG. 5