



US00D859649S

(12) **United States Design Patent** (10) **Patent No.:** **US D859,649 S**  
**Cohen et al.** (45) **Date of Patent:** **\*\* Sep. 10, 2019**

(54) **CATHETER HOLDING DEVICE**  
(71) Applicant: **NEXUS CONTROL SYSTEMS, LLC**,  
Port Washington, NY (US)  
(72) Inventors: **Todd J. Cohen**, Port Washington, NY  
(US); **John R. Lubisich**, West Linn,  
OR (US); **Michael Morrison**, Tualatin,  
OR (US); **Gregory Morrison**, Tualatin,  
OR (US)  
(73) Assignee: **Nexus Control Systems, LLC**, Port  
Washington, NY (US)

(\*\*) Term: **15 Years**  
(21) Appl. No.: **29/677,325**  
(22) Filed: **Jan. 18, 2019**

**Related U.S. Application Data**

(63) Continuation-in-part of application No. 15/147,538,  
filed on May 5, 2016, which is a continuation-in-part  
of application No. 14/215,333, filed on Mar. 17, 2014,  
now Pat. No. 10,143,825.  
(51) **LOC (12) Cl.** ..... **24-02**  
(52) **U.S. Cl.**  
USPC ..... **D24/128**  
(58) **Field of Classification Search**  
USPC ..... D24/127-131, 112-114, 133, 186;  
606/181, 185; 604/264, 523-528, 272,  
604/187, 158, 164.01-164.11, 181, 184,  
604/227; 600/101, 139, 143;  
128/200.24, 207.14, 207.15  
CPC ..... A61M 25/02; A61M 2025/024; A61M  
25/065; A61M 5/42; A61M 25/0612;  
A61M 25/00; A61M 39/00; A61M 27/00;  
A61M 25/0043; A61M 25/0067; A61F  
2/958

See application file for complete search history.

(56) **References Cited**  
U.S. PATENT DOCUMENTS  
3,696,920 A 10/1972 Lahay  
4,583,976 A 4/1986 Ferguson  
5,226,892 A \* 7/1993 Boswell ..... A61M 5/1418  
128/DIG. 26  
5,389,082 A \* 2/1995 Baugues ..... A61M 5/1418  
128/DIG. 26  
5,643,217 A 7/1997 Dobkin  
6,382,568 B1 5/2002 Snell  
6,458,104 B2 \* 10/2002 Gautsche ..... A61M 5/1418  
128/DIG. 26

(Continued)

**FOREIGN PATENT DOCUMENTS**

EP 0720836 A2 7/1996  
WO 2005051472 A2 6/2005  
WO 2012062717 A1 5/2012

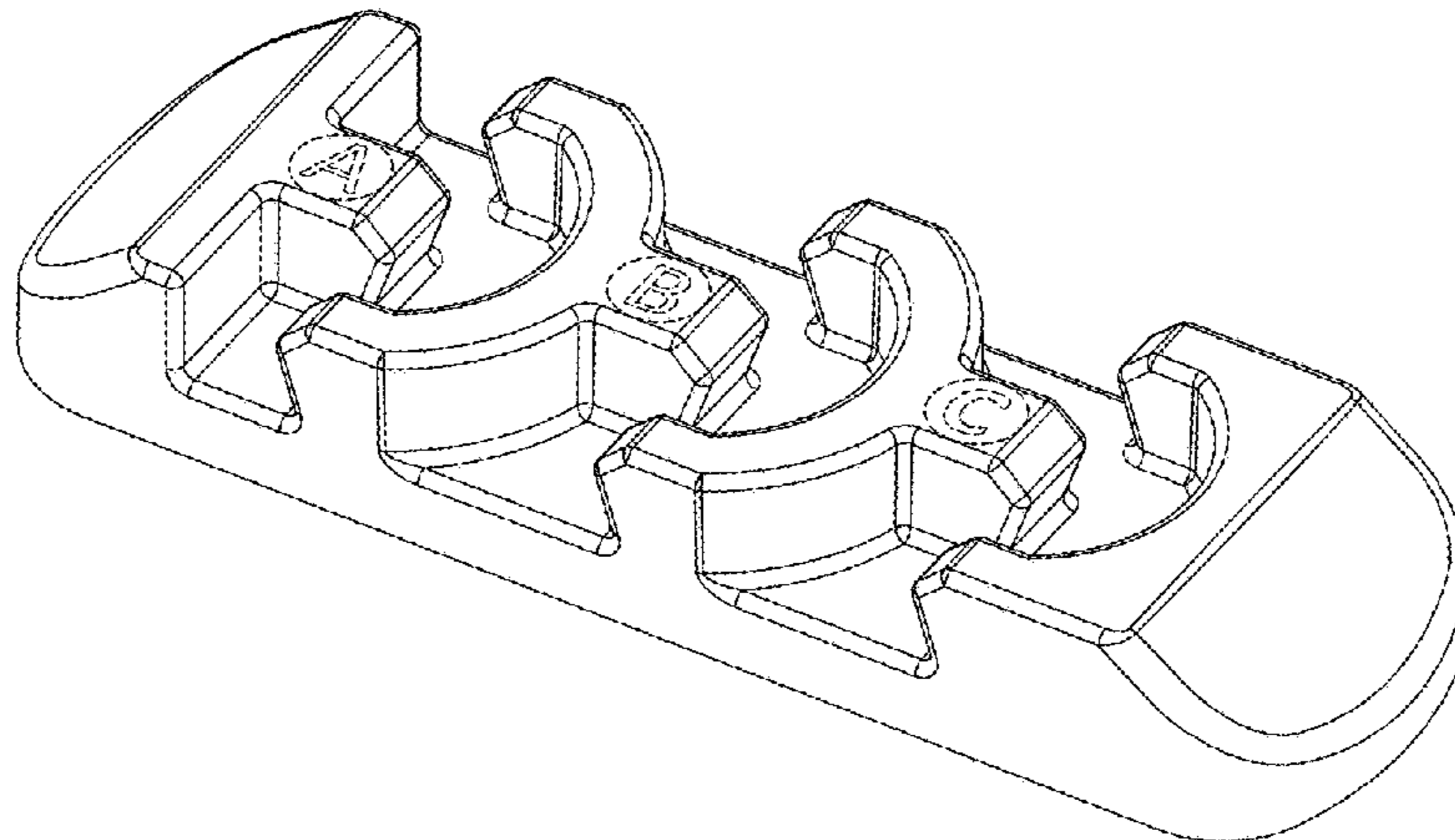
*Primary Examiner* — David G Muller  
(74) *Attorney, Agent, or Firm* — William Dippert;  
Laurence Greenberg; Werner Stemer

(57) **CLAIM**  
The ornamental design for a catheter holding device, as  
shown and described.

**DESCRIPTION**

FIG. 1 is a top, front, right-side perspective view of a  
catheter holding device, showing our new design.  
FIG. 2 is a top, front, right-side perspective view thereof,  
with a strip to cover adhesive on the bottom surface.  
FIG. 3 is a left-side elevation view thereof.  
FIG. 4 is a right-side elevation view thereof.  
FIG. 5 is a top plan view thereof.  
FIG. 6 is a bottom plan view thereof.  
FIG. 7 is a front elevation view thereof; and,  
FIG. 8 is a bottom plan view thereof.  
The broken lines in the drawings represent portions of the  
catheter holding device that are for illustrative purposes only  
and do not form a part of the claimed design.

**1 Claim, 8 Drawing Sheets**



(56)

**References Cited**

U.S. PATENT DOCUMENTS

7,320,681 B2 \* 1/2008 Gillis ..... A61M 25/02  
128/DIG. 26  
D630,317 S \* 1/2011 Wung ..... D24/128  
7,918,828 B2 \* 4/2011 Lundgaard ..... A61M 5/1418  
248/229.1  
D657,460 S \* 4/2012 Uhlenkamp ..... D24/128  
D657,869 S \* 4/2012 Mammen ..... D24/128  
8,394,067 B2 \* 3/2013 Bracken ..... A61M 25/02  
604/180  
D702,832 S \* 4/2014 Hadley ..... D24/128  
D749,209 S \* 2/2016 Uhlenkamp ..... D24/128  
D837,367 S \* 1/2019 Reaux ..... D24/128  
D837,374 S \* 1/2019 Wonderley ..... D24/146  
2003/0132352 A1 7/2003 Weaver  
2008/0221526 A1 9/2008 Fleischer  
2010/0006738 A1 1/2010 Teirstein  
2010/0010475 A1 1/2010 Teirstein et al.  
2011/0248125 A1 10/2011 D'Andria

\* cited by examiner

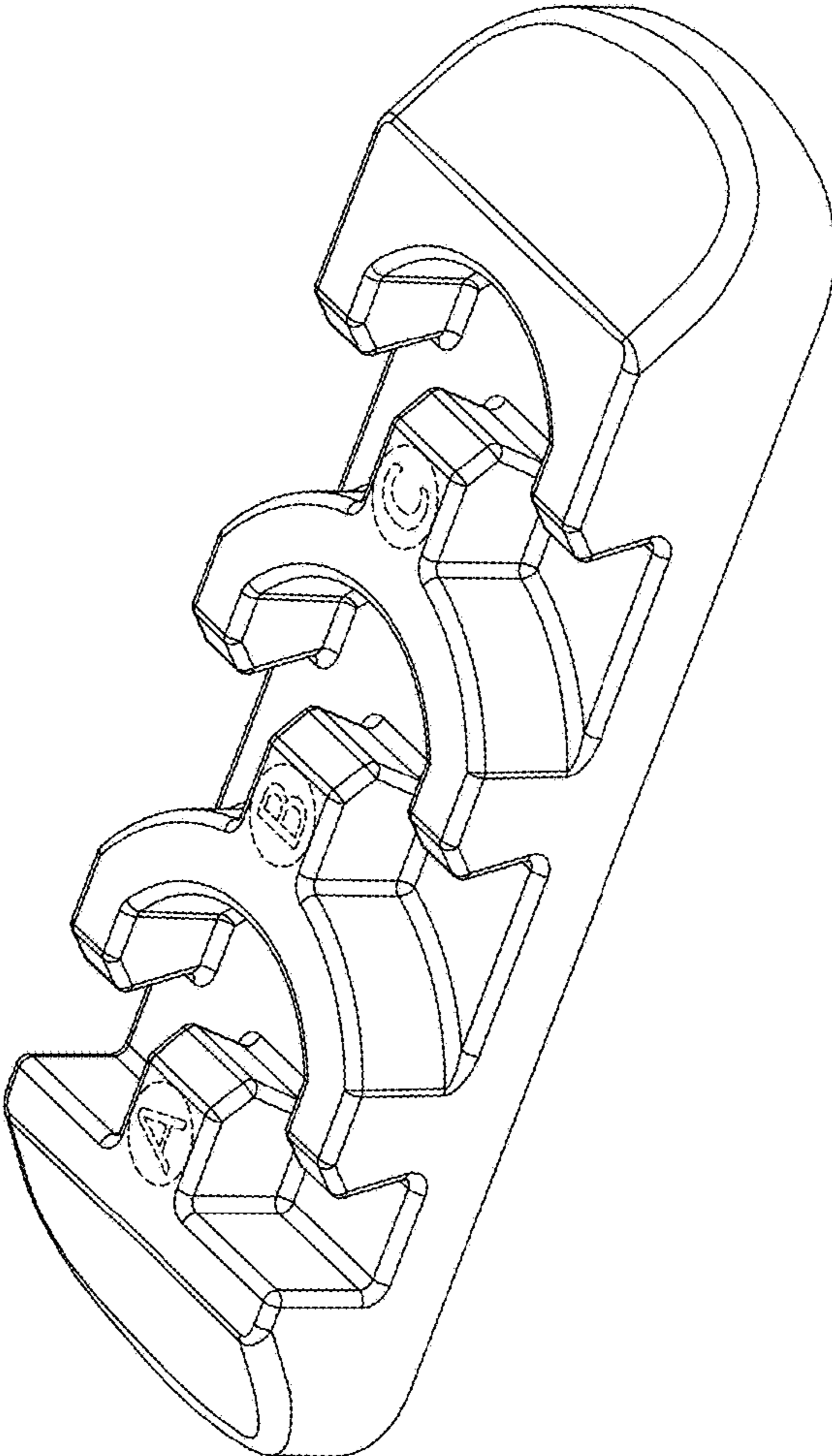


FIG. 1

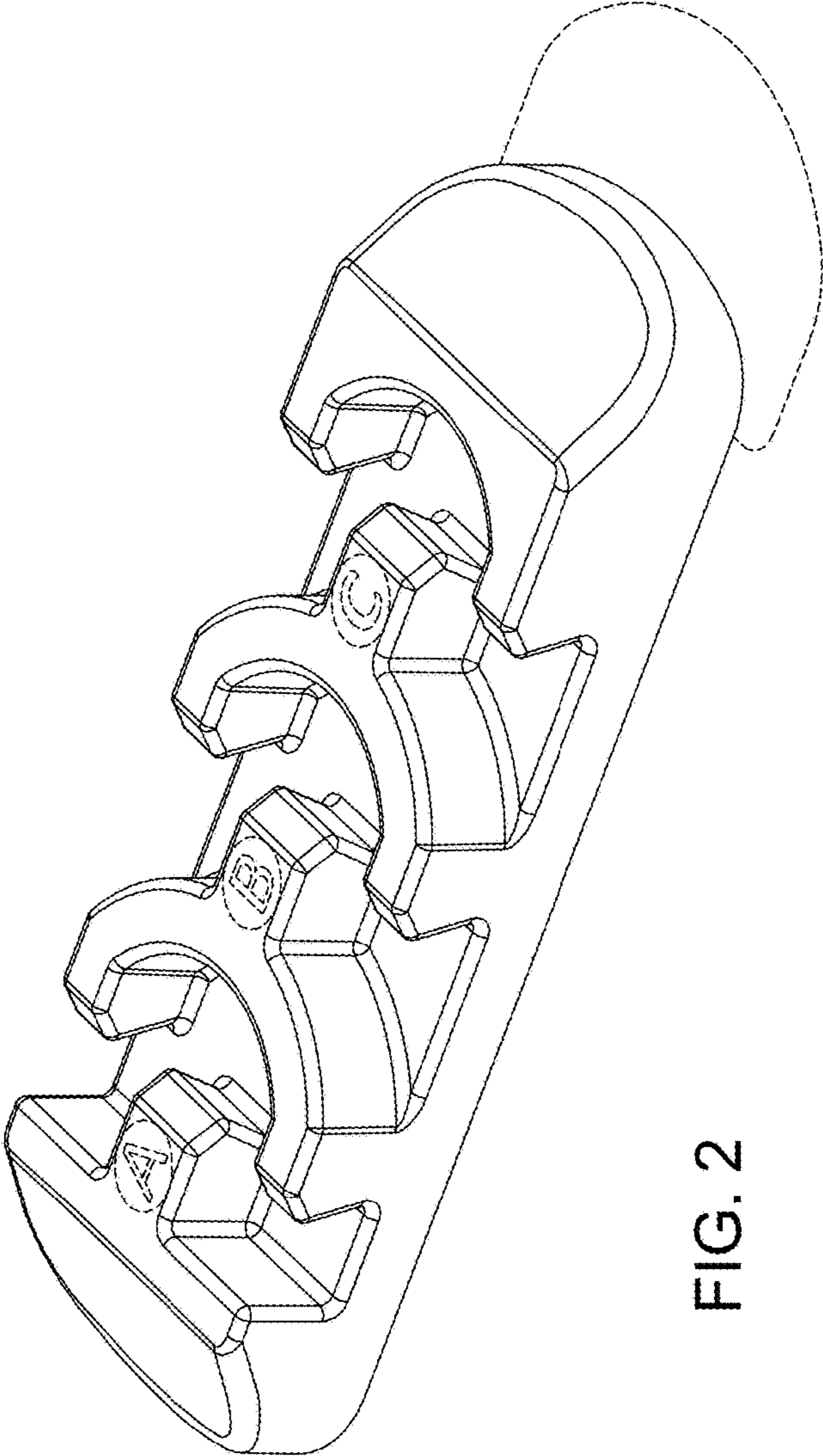


FIG. 2

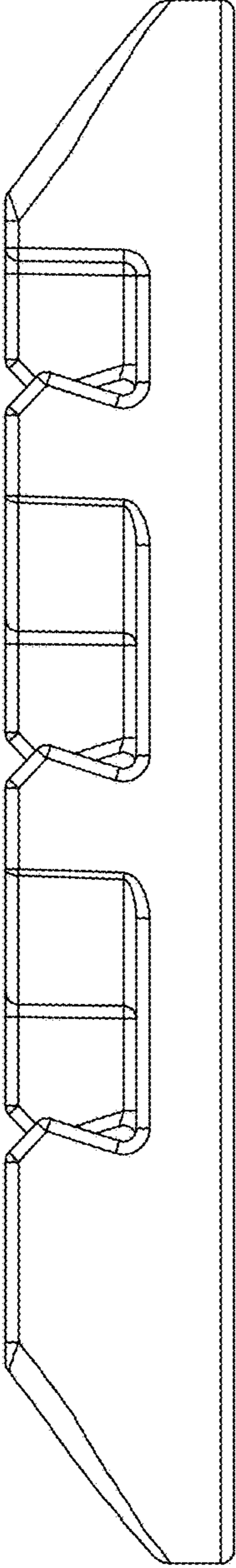


FIG. 3



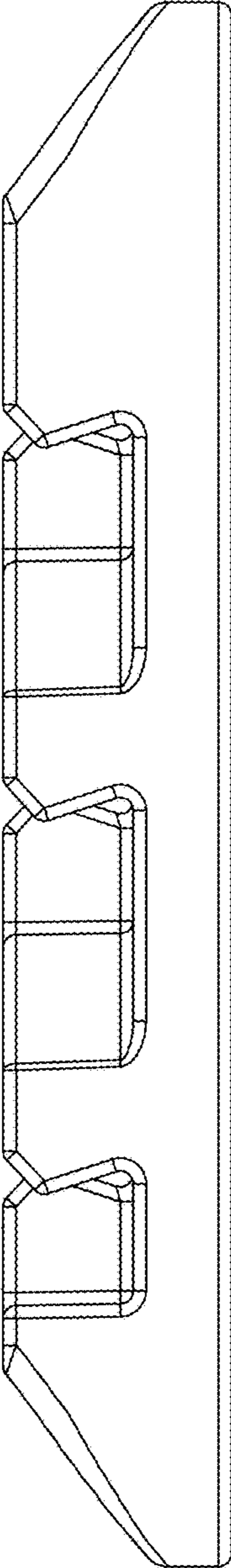


FIG. 4

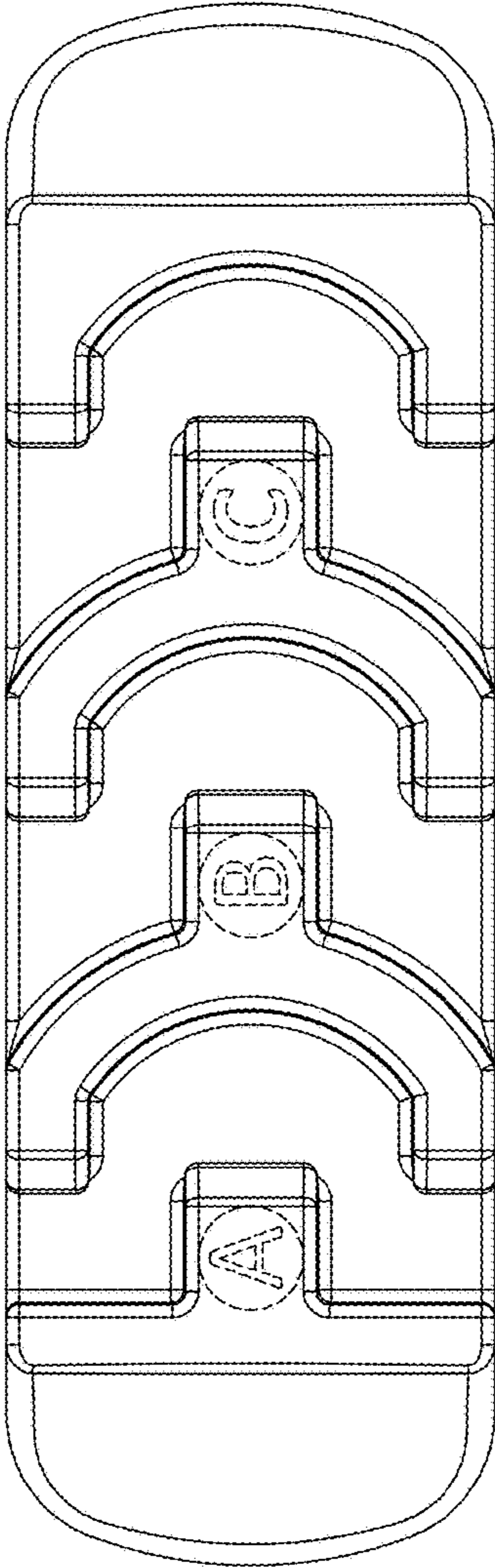


FIG. 5

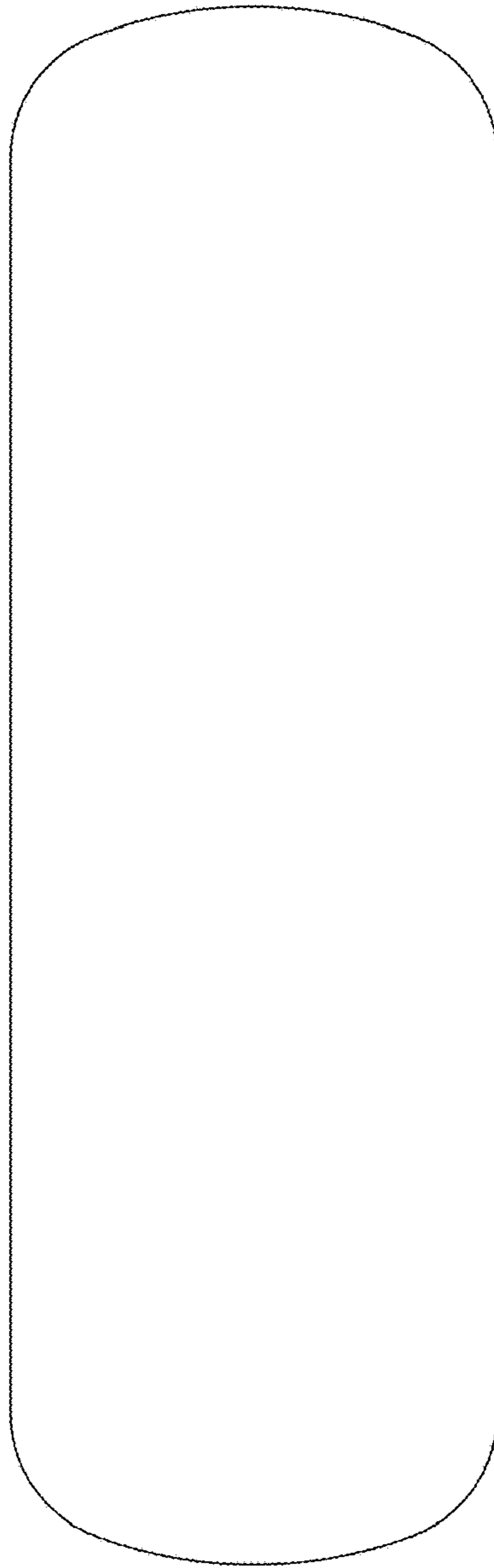


FIG. 6



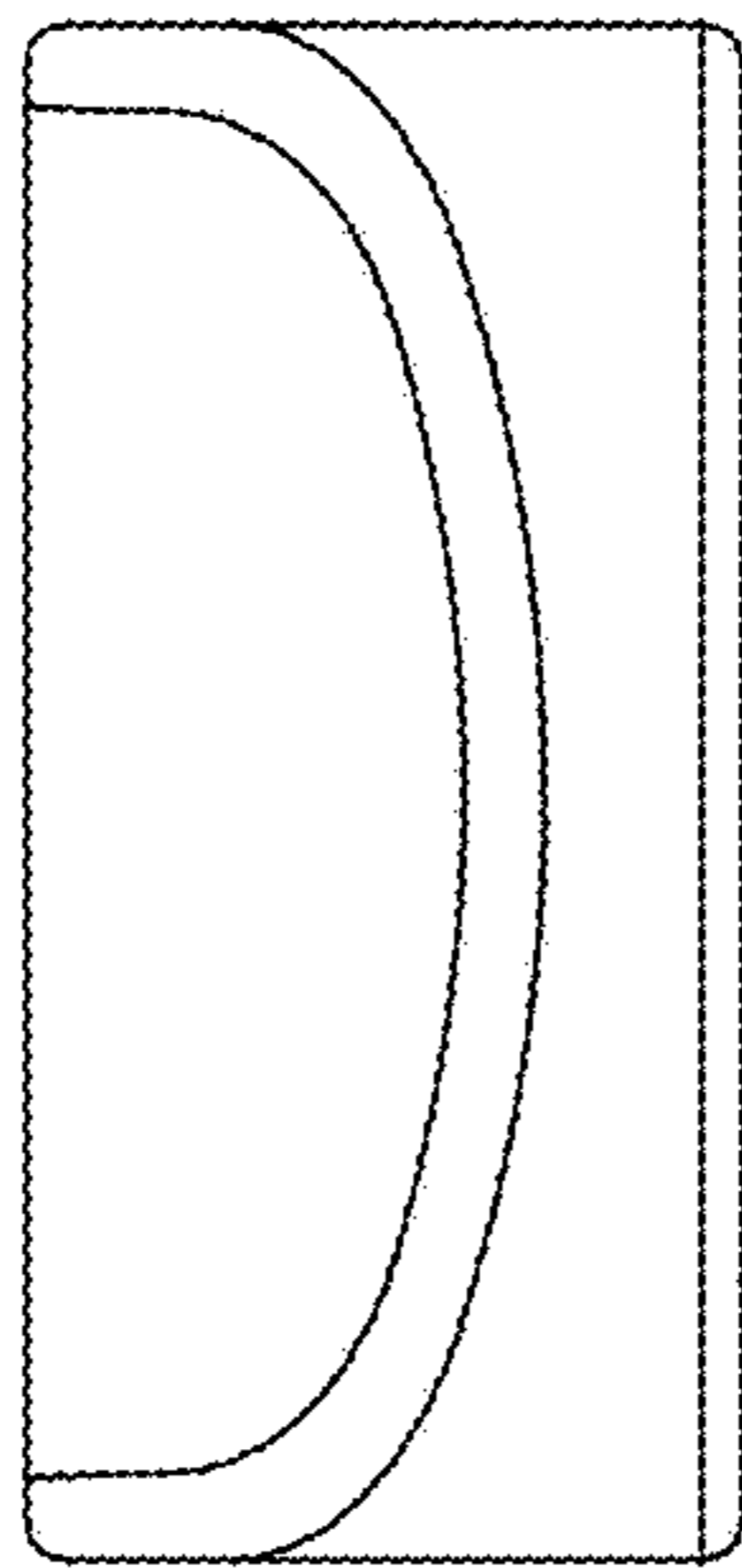


FIG. 7

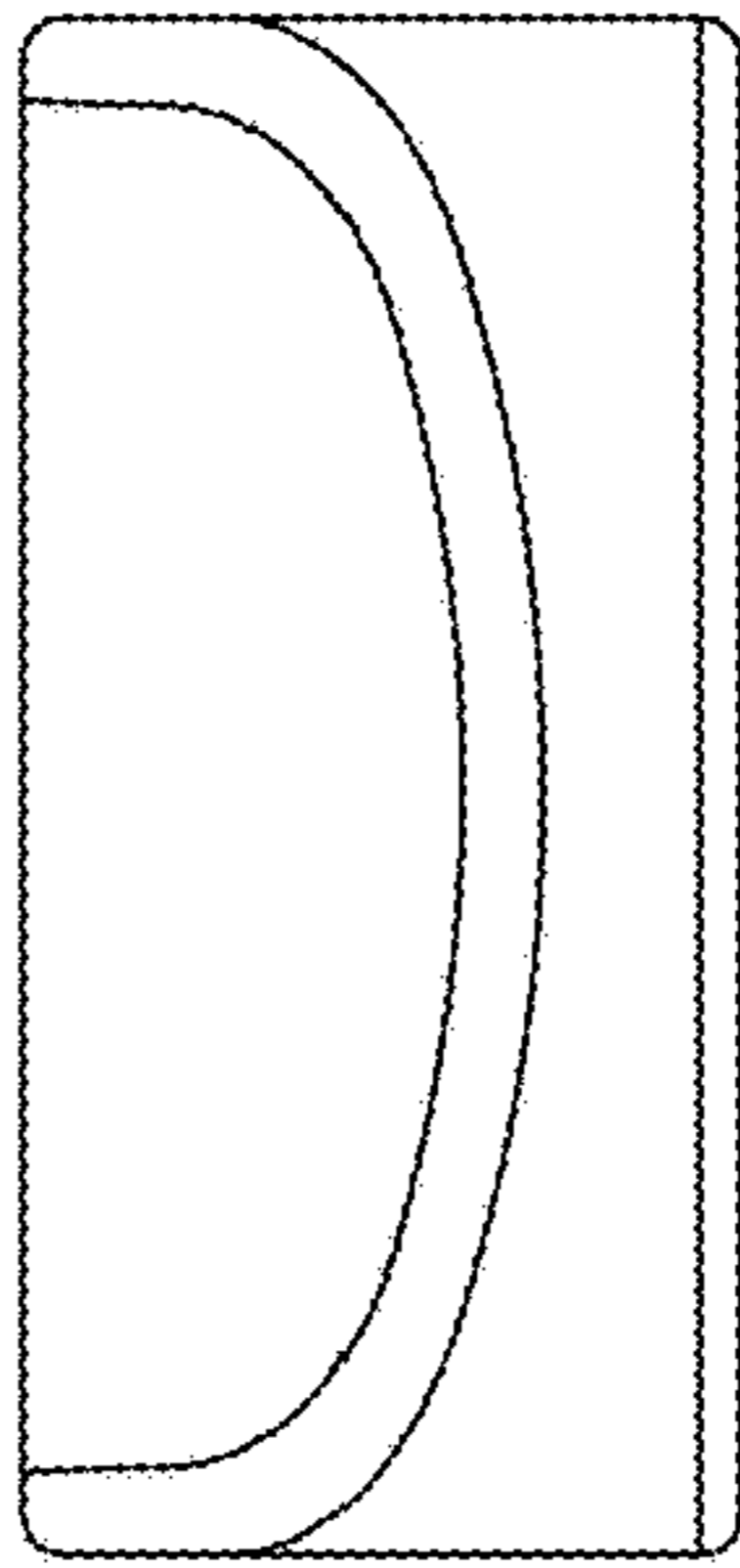


FIG. 8