



US00D859648S

(12) **United States Design Patent** (10) **Patent No.:** **US D859,648 S**
Delka et al. (45) **Date of Patent:** **** Sep. 10, 2019**

(54) **DIAPER ACCESSORY**

- (71) Applicant: **ACT Holding, LLC**, Overland Park, KS (US)
- (72) Inventors: **Ryan K. Delka**, Fort Collins, CO (US); **Bret Delka**, Fort Collins, CO (US); **Joseph C. Long**, Olathe, KS (US)
- (73) Assignee: **ACT HOLDING, LLC**, Overland Park, KS (US)
- (**) Term: **15 Years**

- (21) Appl. No.: **29/637,929**
- (22) Filed: **Feb. 22, 2018**
- (51) **LOC (12) Cl.** **24-04**
- (52) **U.S. Cl.**
USPC **D24/126**
- (58) **Field of Classification Search**
USPC D24/124, 125, 126, 189, 190, 191, 192;
604/347, 348, 354, 358-361, 378, 384,
604/385.01, 385.201, 385.22, 385.24,
604/385.25
CPC A61F 13/15; A61F 13/34; A61F 13/5611;
A61F 13/5633; A61F 13/4704; A61F
13/535; A61F 13/539; A61F 13/47; A61F
13/531
See application file for complete search history.

(56) **References Cited**

U.S. PATENT DOCUMENTS

- 4,559,051 A 12/1985 Hanson
- 4,892,598 A 1/1990 Stevens et al.
- 4,955,880 A 9/1990 Rodriguez

(Continued)

FOREIGN PATENT DOCUMENTS

- WO 2016205756 A1 12/2016
- WO 2017058165 A1 4/2017

OTHER PUBLICATIONS

PCT Appl. No. PCT/US2017/47914 ISR/WO dated Oct. 25, 2017, 12 pages.

Primary Examiner — Cathron C Brooks
Assistant Examiner — Samantha Q Lawrence
(74) *Attorney, Agent, or Firm* — Hovey Williams LLP

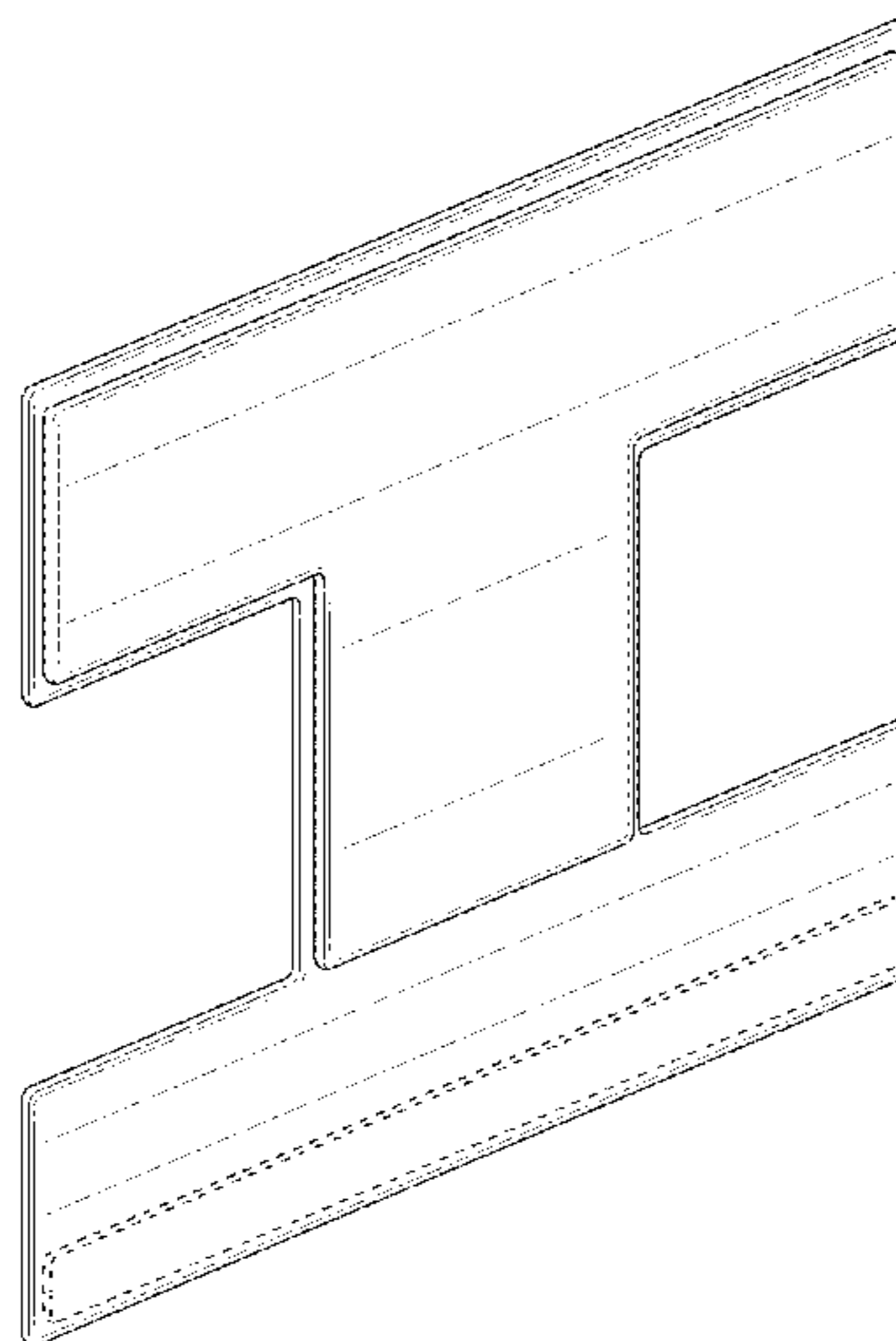
(57) **CLAIM**

The ornamental design for a diaper accessory, as shown and described.

DESCRIPTION

FIG. 1 is a front perspective view of a diaper accessory in accordance with the new design;
 FIG. 2 is a front view thereof;
 FIG. 3 is a rear view thereof;
 FIG. 4 is a left side view thereof;
 FIG. 5 is a right side view thereof;
 FIG. 6 is a top view thereof;
 FIG. 7 is a bottom view thereof;
 FIG. 8 is a front view thereof coupled to a diaper;
 FIG. 9 is a another front perspective view of the diaper accessory of FIG. 1, but shown in a folded configuration;
 FIG. 10 is a front view of the diaper accessory of FIG. 9;
 FIG. 11 is a rear view of the diaper accessory of FIG. 9;
 FIG. 12 is a left side view of the diaper accessory of FIG. 9;
 FIG. 13 is a right side view of the diaper accessory of FIG. 9;
 FIG. 14 is a top view of the diaper accessory of FIG. 9;
 FIG. 15 is a bottom view of the diaper accessory of FIG. 9;
 and,
 FIG. 16 is a rear perspective view of the diaper accessory of FIG. 9 coupled to a diaper.
 The broken lines shown in FIGS. 1-7 and FIGS. 12-15 illustrate portions of the diaper accessory that form no part of the claimed design. The broken lines shown in FIG. 8 and FIG. 16 illustrate environment that form no part of the claimed design.

1 Claim, 16 Drawing Sheets



(56)

References Cited

U.S. PATENT DOCUMENTS

5,108,385 A	4/1992	Snyder	8,968,264 B2 *	3/2015	Coates	A61F 13/49 604/385.14
5,275,592 A	1/1994	Grizzaffi	8,986,271 B1	3/2015	Horne	
5,342,340 A	8/1994	Kichefski et al.	8,998,872 B2 *	4/2015	Mukai	A61F 13/49058 604/385.24
5,558,734 A	9/1996	Sherrod et al.	D737,434 S	8/2015	Miller	
5,810,799 A	9/1998	Slater	9,095,480 B2	8/2015	Breeden et al.	
6,129,718 A	10/2000	Wada	9,119,749 B2	9/2015	Close et al.	
6,258,076 B1	7/2001	Glaug et al.	9,173,799 B2	11/2015	Tanimoto et al.	
6,371,950 B1	4/2002	Roslansky et al.	9,474,655 B1	10/2016	Biondolillo	
6,491,677 B1	12/2002	Glaug et al.	D811,590 S *	2/2018	Raycheck	D24/126
6,878,138 B2	4/2005	Tsuji et al.	D829,893 S *	10/2018	Kio	D24/126
7,128,733 B2	10/2006	Valentin et al.	2004/0127884 A1	7/2004	Demopulos et al.	
7,316,674 B2	1/2008	Infantino et al.	2007/0197984 A1	8/2007	Richardson et al.	
7,658,731 B2	2/2010	Winqvist	2008/0114326 A1	5/2008	Roe et al.	
8,100,876 B1	1/2012	Biondolillo	2011/0245791 A1	10/2011	Miller	
8,187,245 B2	5/2012	Winqvist et al.	2014/0188065 A1	7/2014	Defrancesco et al.	
D708,319 S *	7/2014	Labit	2016/0262949 A1	9/2016	Roe et al.	
8,870,840 B2	10/2014	Close et al.	2016/0367410 A1	12/2016	Alligood	
8,939,957 B2 *	1/2015	Raycheck	2017/0128281 A1	5/2017	Takino et al.	
		A61F 13/4942 604/385.28	2017/0239104 A1	8/2017	Jang et al.	
8,961,487 B2 *	2/2015	Tsang	2018/0055698 A1	3/2018	Bishop et al.	
		A61F 13/15593 604/385.24				

* cited by examiner

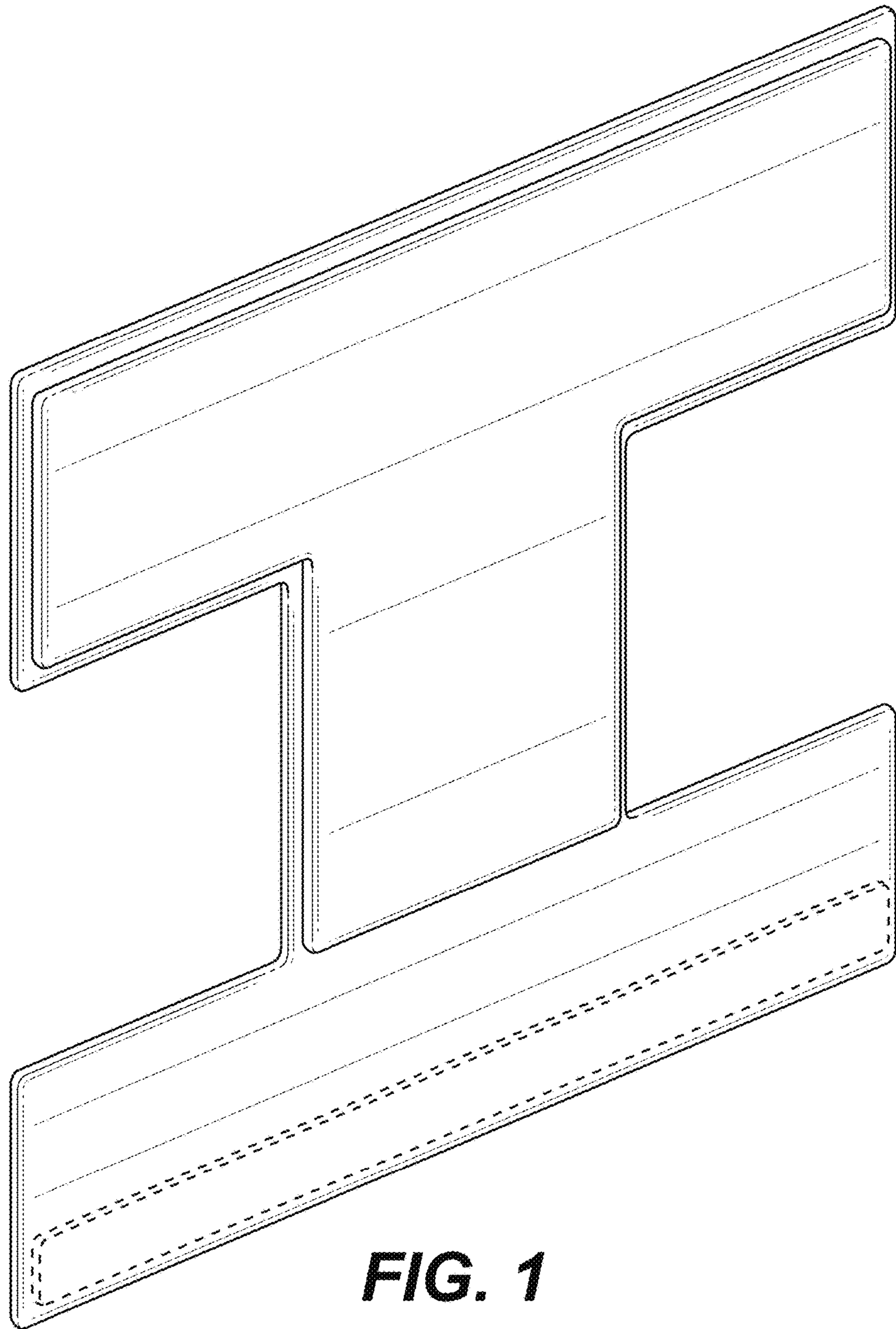


FIG. 1

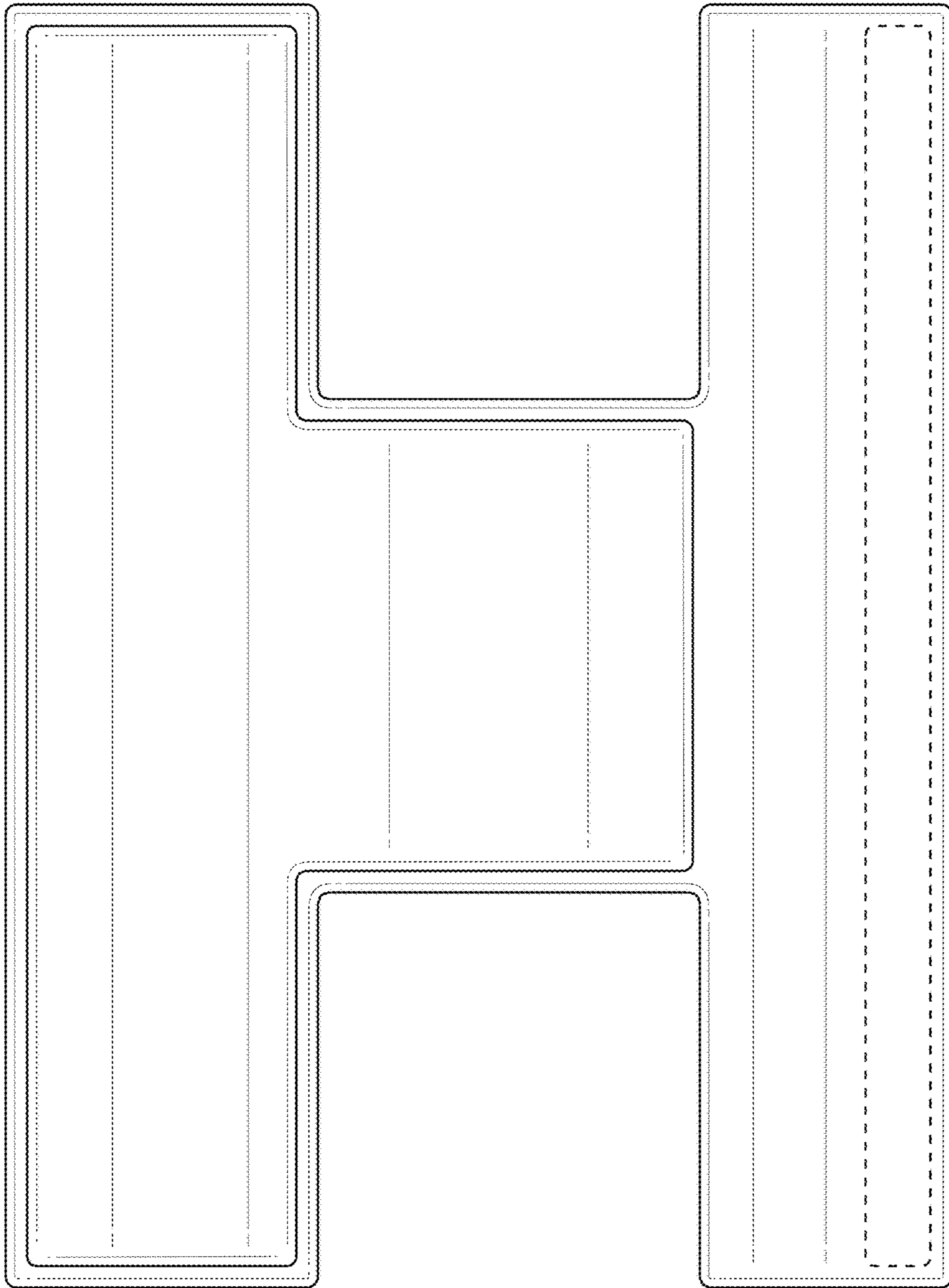


FIG. 2

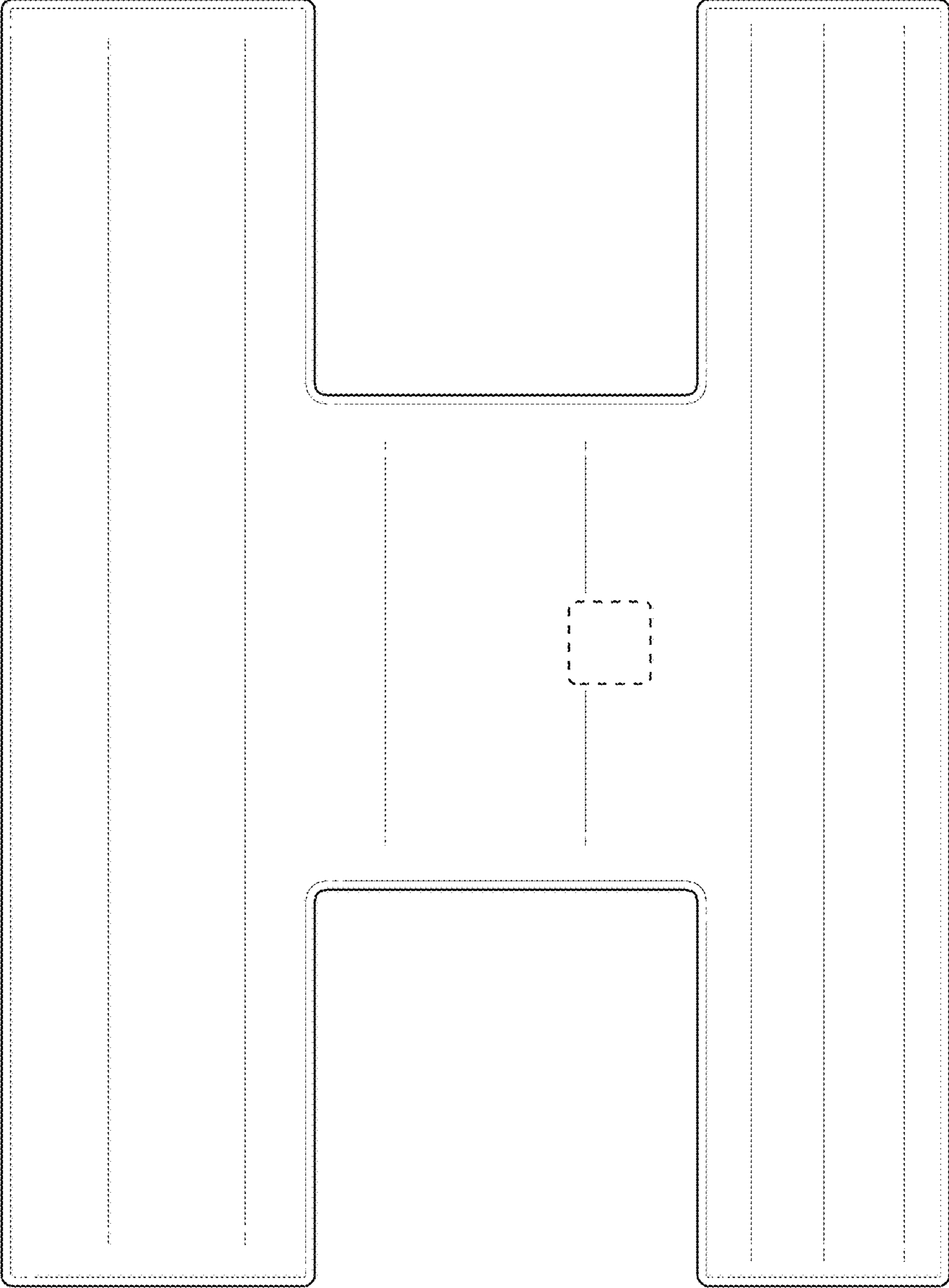


FIG. 3

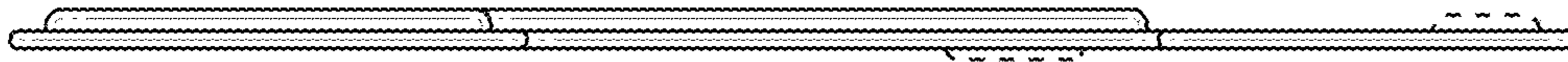


FIG. 4

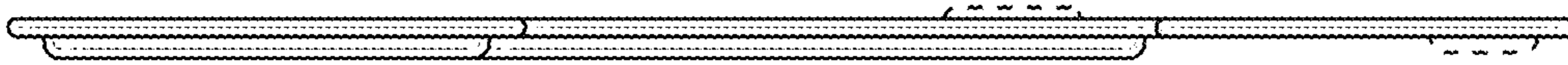


FIG. 5

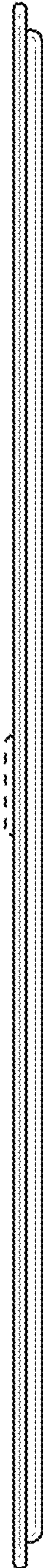


FIG. 6

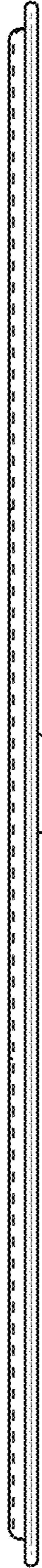


FIG. 7

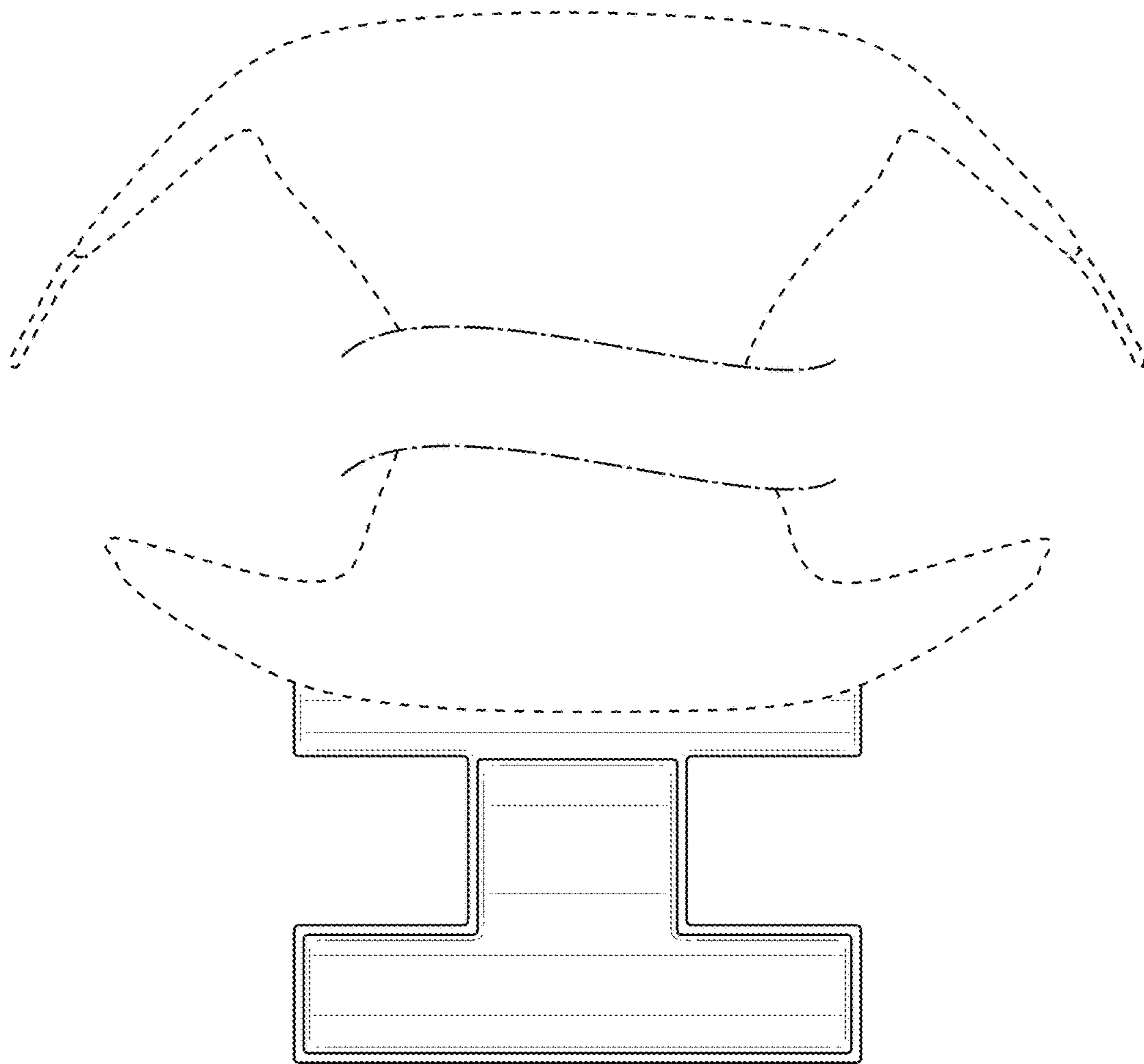


FIG. 8

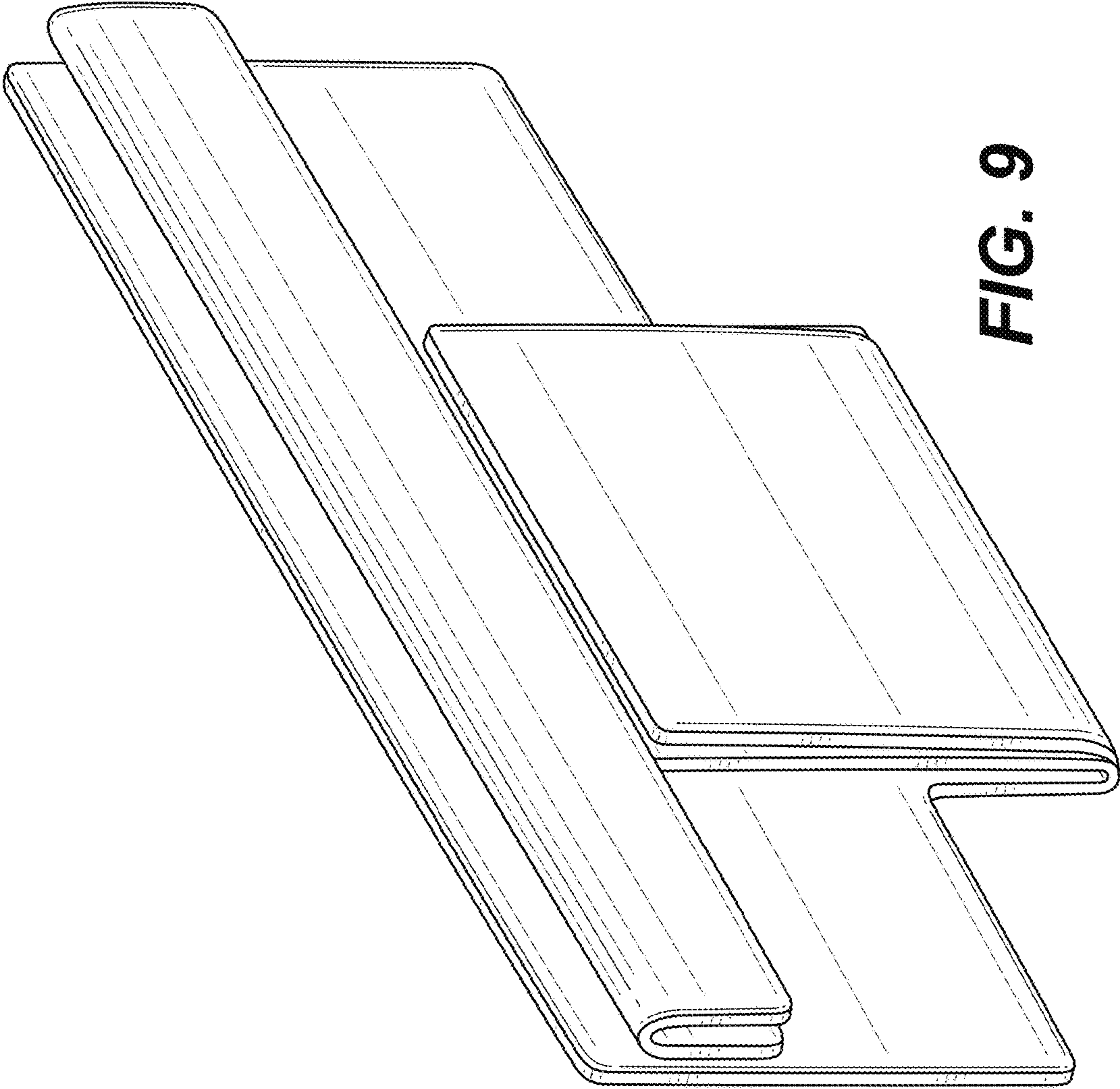


FIG. 9

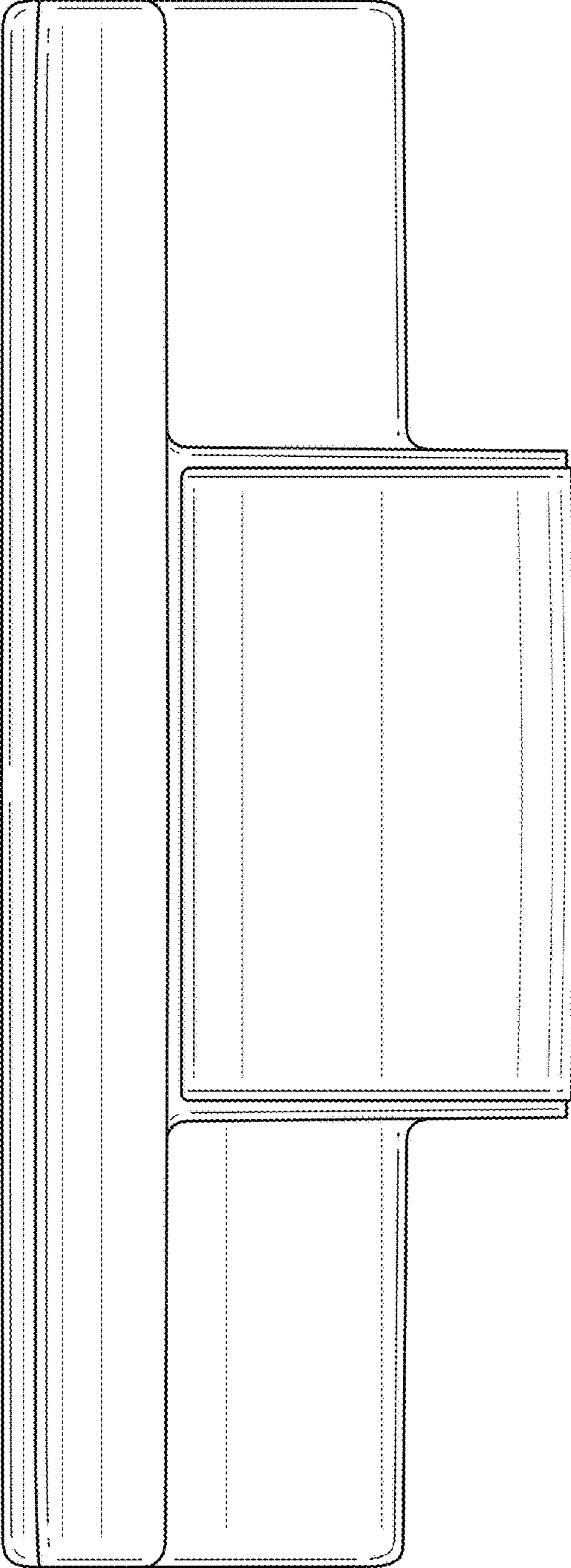


FIG. 10

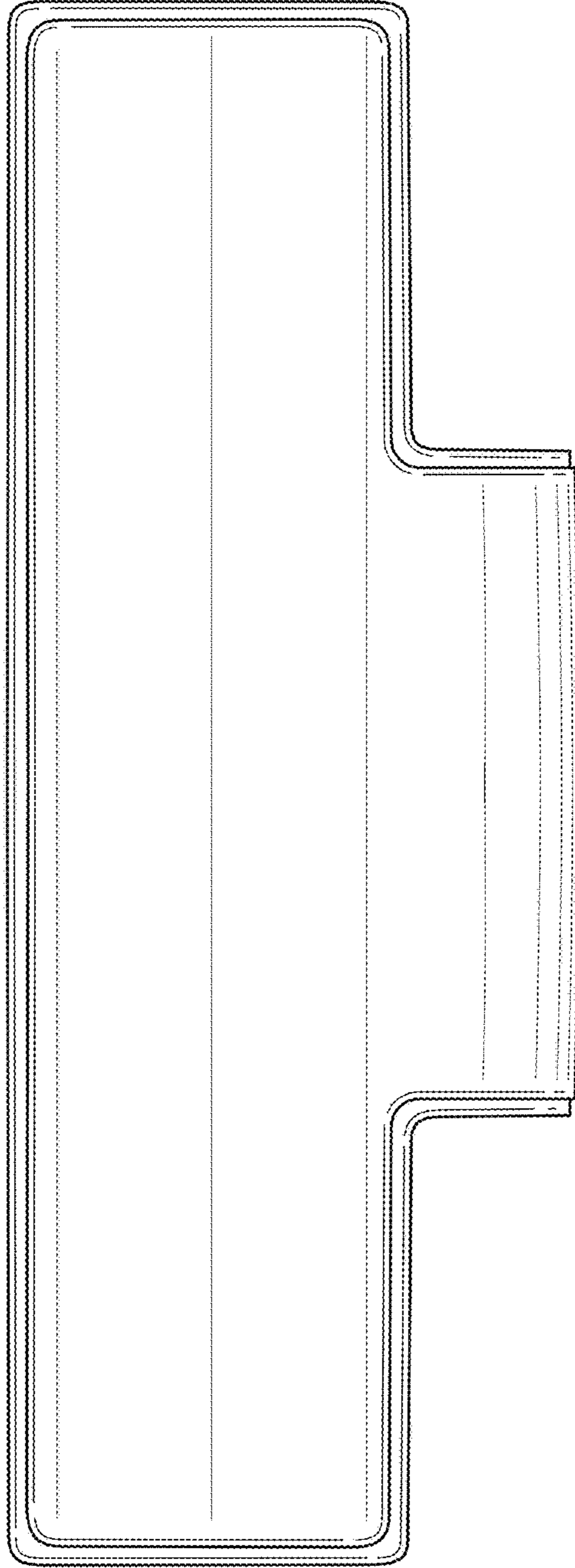


FIG. 11

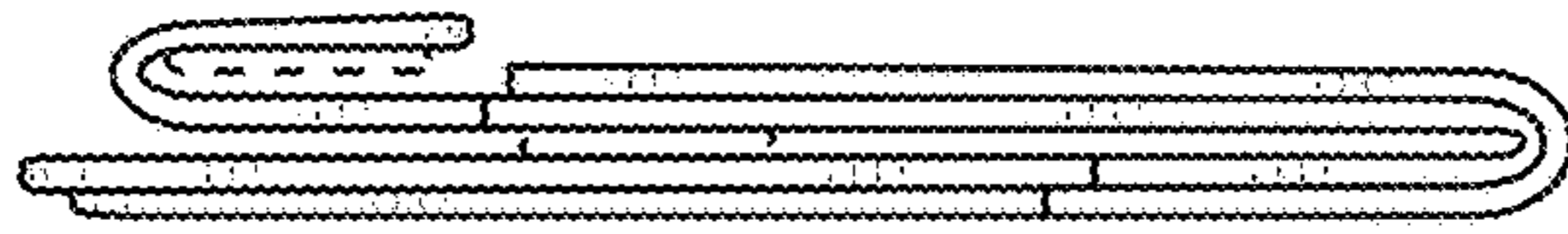


FIG. 12

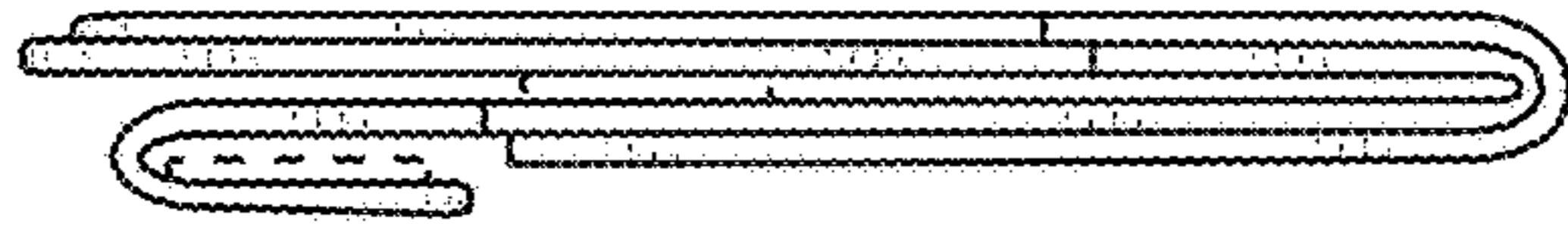


FIG. 13

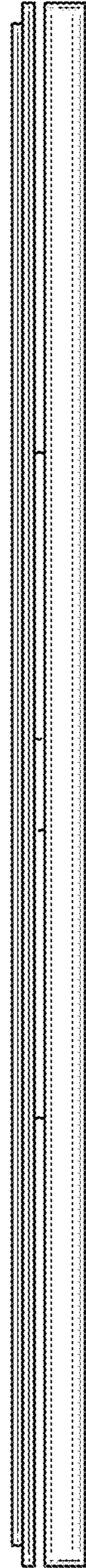


FIG. 14

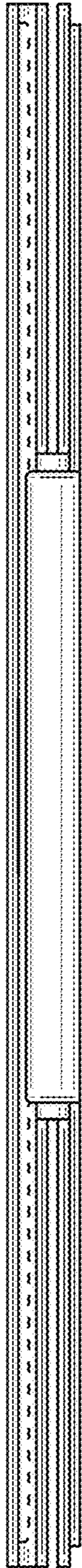


FIG. 15

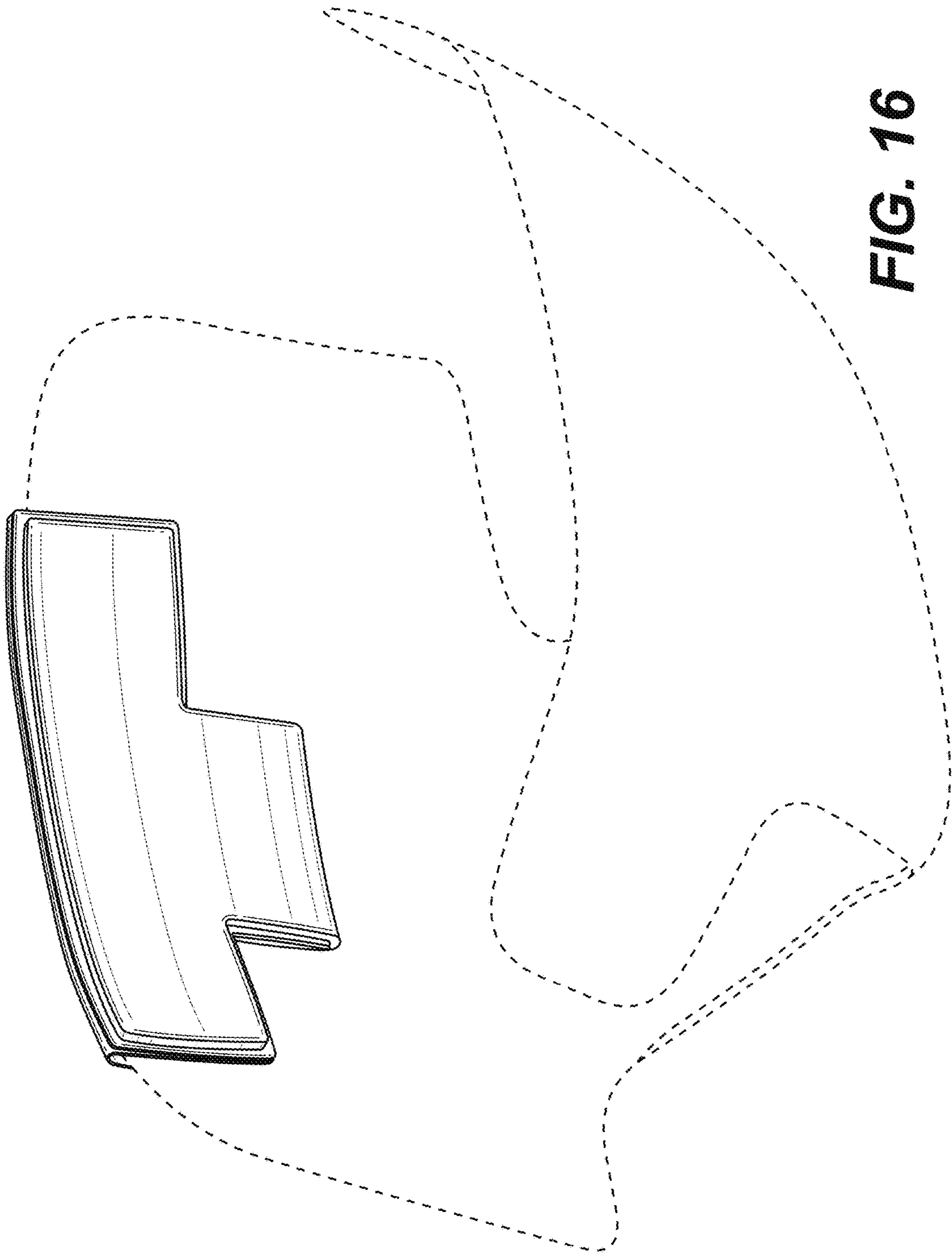


FIG. 16