



US00D859644S

(12) **United States Design Patent**
Porter et al.

(10) **Patent No.: US D859,644 S**

(45) **Date of Patent: ** Sep. 10, 2019**

(54) **ORAL IRRIGATOR UNIT**

(71) Applicant: **WATER PIK, INC.**, Fort Collins, CO (US)

(72) Inventors: **Austin Rand Porter**, Seattle, WA (US);
Jeffrey Ladwig, Seattle, WA (US)

(73) Assignee: **WATER PIK, INC.**, Fort Collins, CO (US)

(**) Term: **15 Years**

(21) Appl. No.: **29/664,278**

(22) Filed: **Sep. 24, 2018**

Related U.S. Application Data

(63) Continuation of application No. 29/587,862, filed on Dec. 15, 2016, now Pat. No. Des. 832,419.

(51) **LOC (12) Cl.** **29-02**

(52) **U.S. Cl.**
USPC **D24/111**

(58) **Field of Classification Search**
USPC D24/108, 111-113, 133, 152, 176;
D4/101, 138
CPC . A61C 17/0205; A61C 17/0202; A61C 17/00;
A61C 17/224; A61C 17/20; A61C
17/005; A61C 17/028; A61C 17/02; A61C
17/36; A61C 17/0211; A61C 17/0214;
A61C 17/28; A61C 17/043; A61C 17/22;
A61C 17/222; A61C 17/225

See application file for complete search history.

(56) **References Cited**

U.S. PATENT DOCUMENTS

D210,019	S	*	1/1968	Johnson	601/162
4,989,590	A	*	2/1991	Baum	A61C 1/0092 137/493.3
D764,051	S	*	8/2016	Wang	D24/111
D832,419	S	*	10/2018	Porter	D24/111
D833,600	S	*	11/2018	Porter	D24/111
D834,180	S	*	11/2018	Porter	D24/111
2015/0173850	A1	*	6/2015	Garrigues	A61C 1/0092 433/80
2017/0333313	A1	*	11/2017	White	A61K 8/41

* cited by examiner

Primary Examiner — Lilyana Bekic

Assistant Examiner — Aula Soroush

(74) *Attorney, Agent, or Firm* — Dorsey & Whitney LLP

(57) **CLAIM**

We claim the ornamental design for an oral irrigator unit, as shown and described.

DESCRIPTION

FIG. 1 is a front isometric view of an oral irrigator unit according to the claimed design.

FIG. 2 is a front elevation view thereof.

FIG. 3 is a rear elevation view thereof.

FIG. 4 is a left side elevation view thereof.

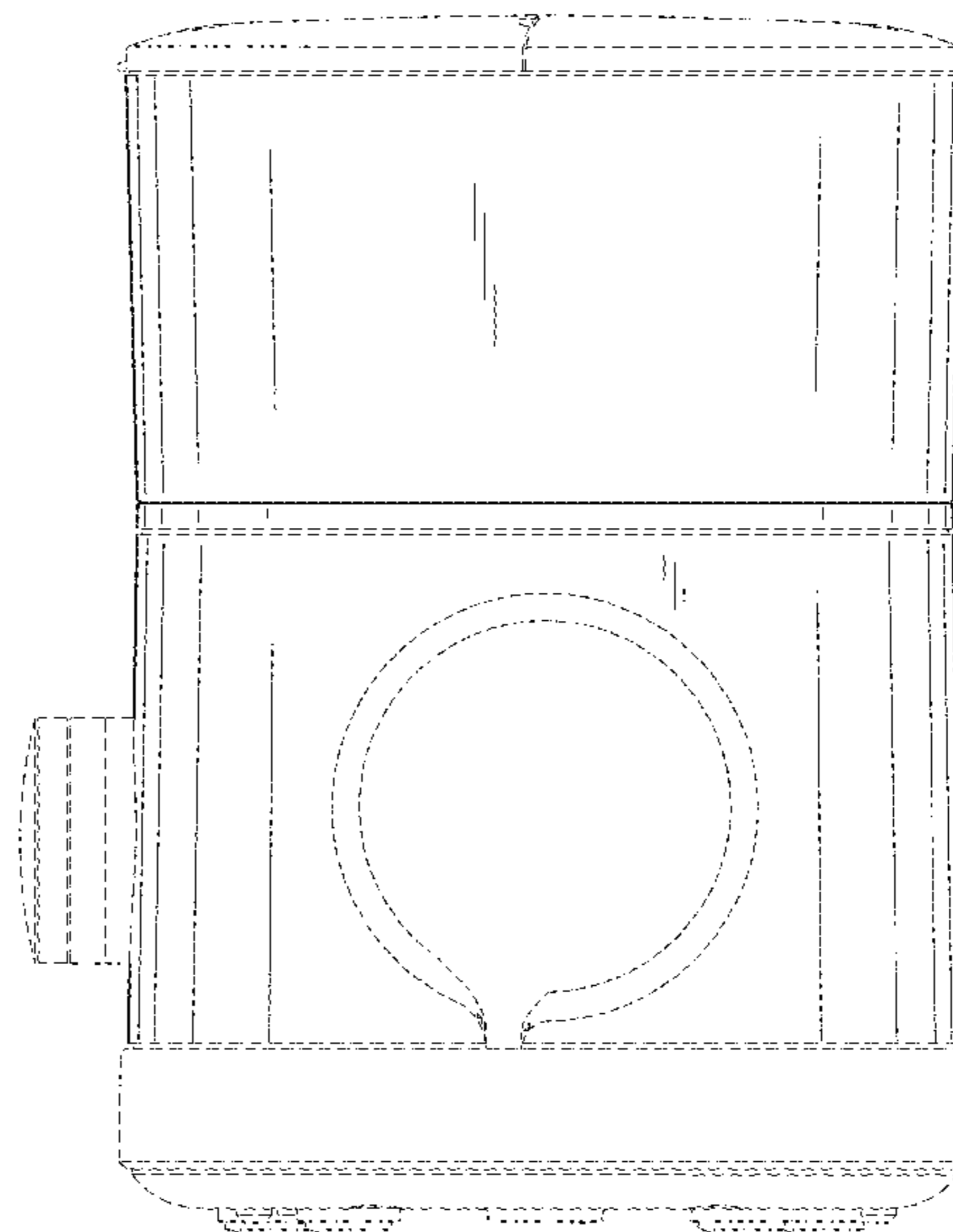
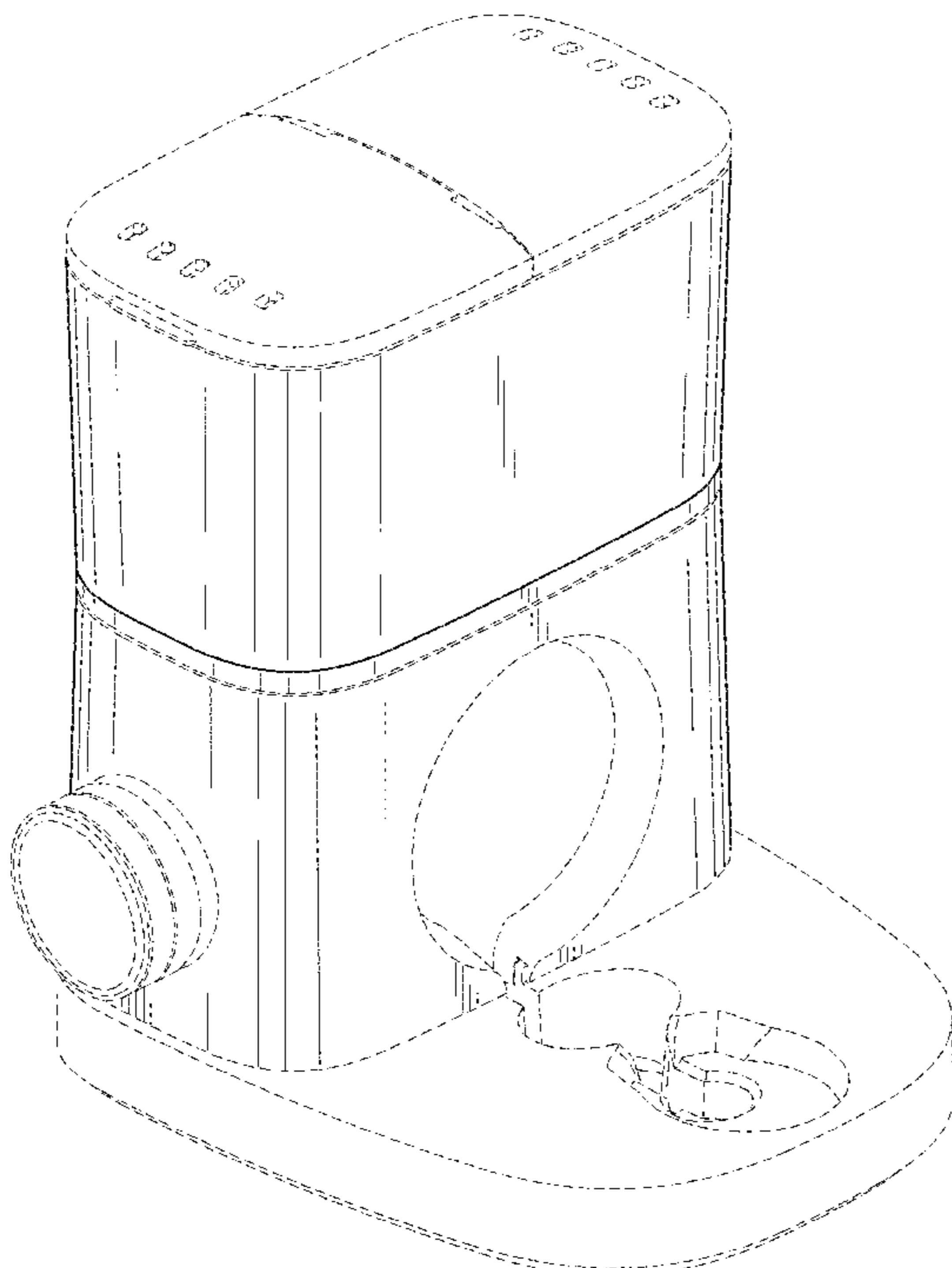
FIG. 5 is a right side elevation view thereof.

FIG. 6 is a top plan view thereof; and,

FIG. 7 is a bottom plan view thereof.

The broken lines illustrate portions of the oral irrigator unit that form no part of the claimed design.

1 Claim, 7 Drawing Sheets



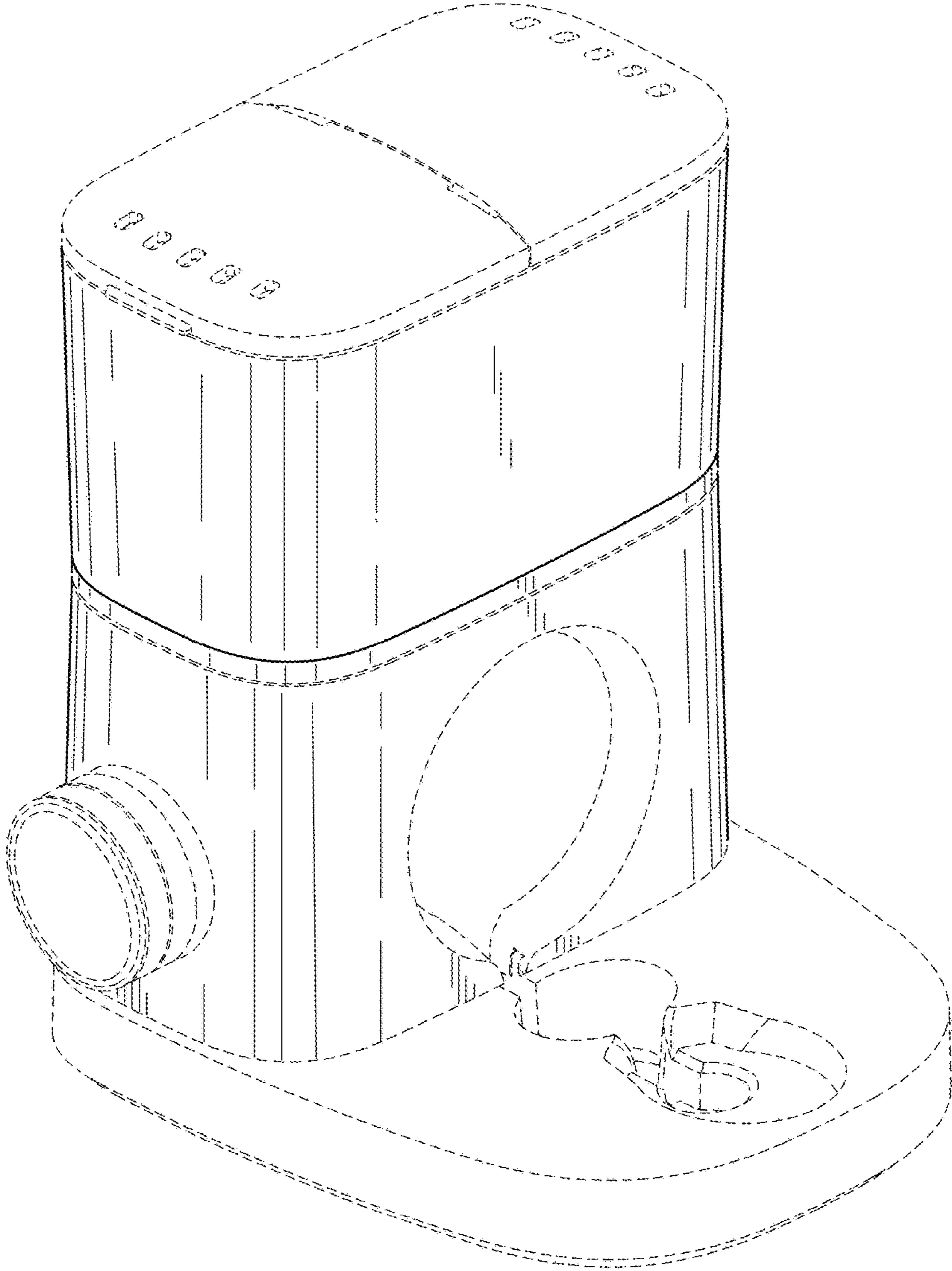


FIG. 1

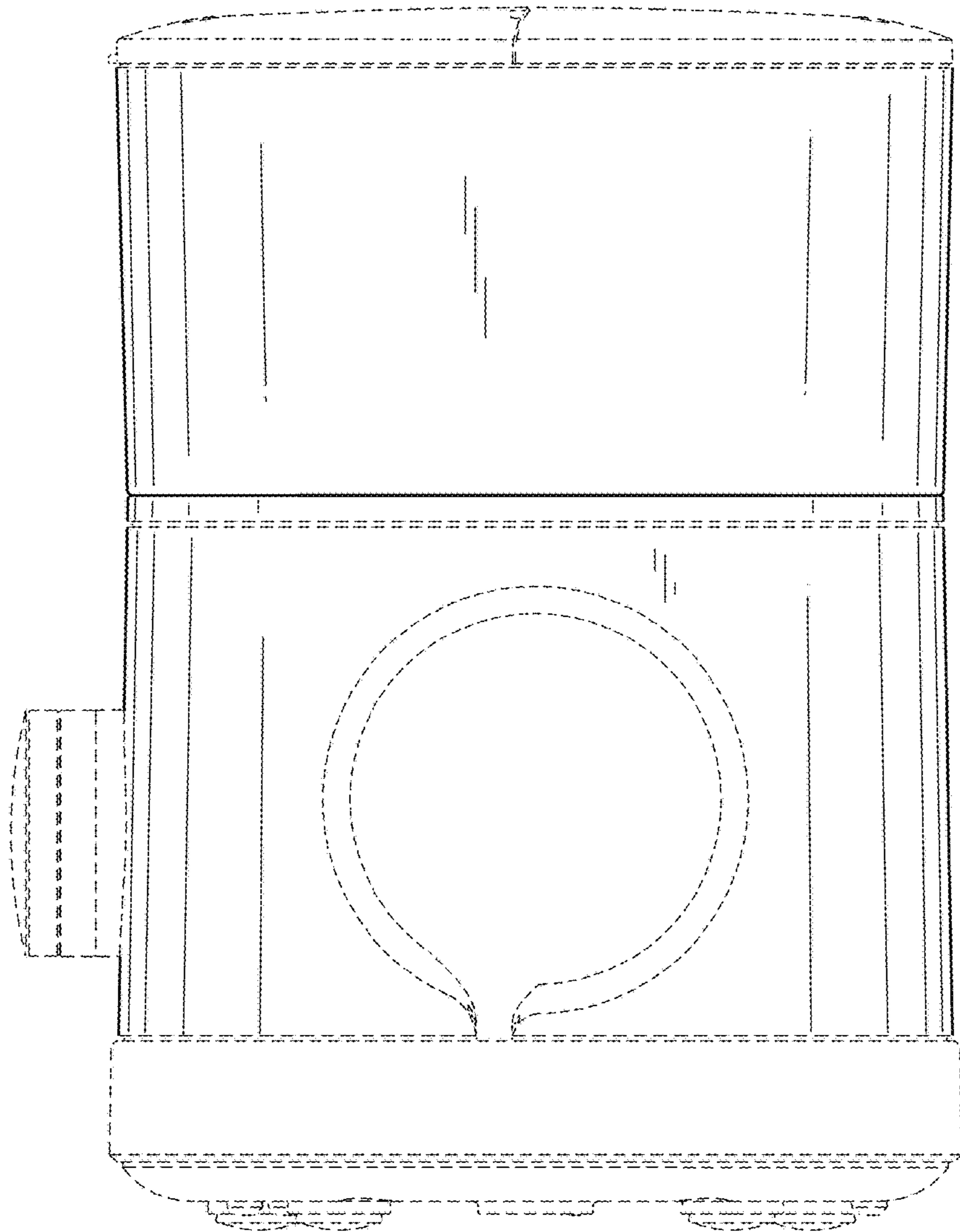


FIG. 2

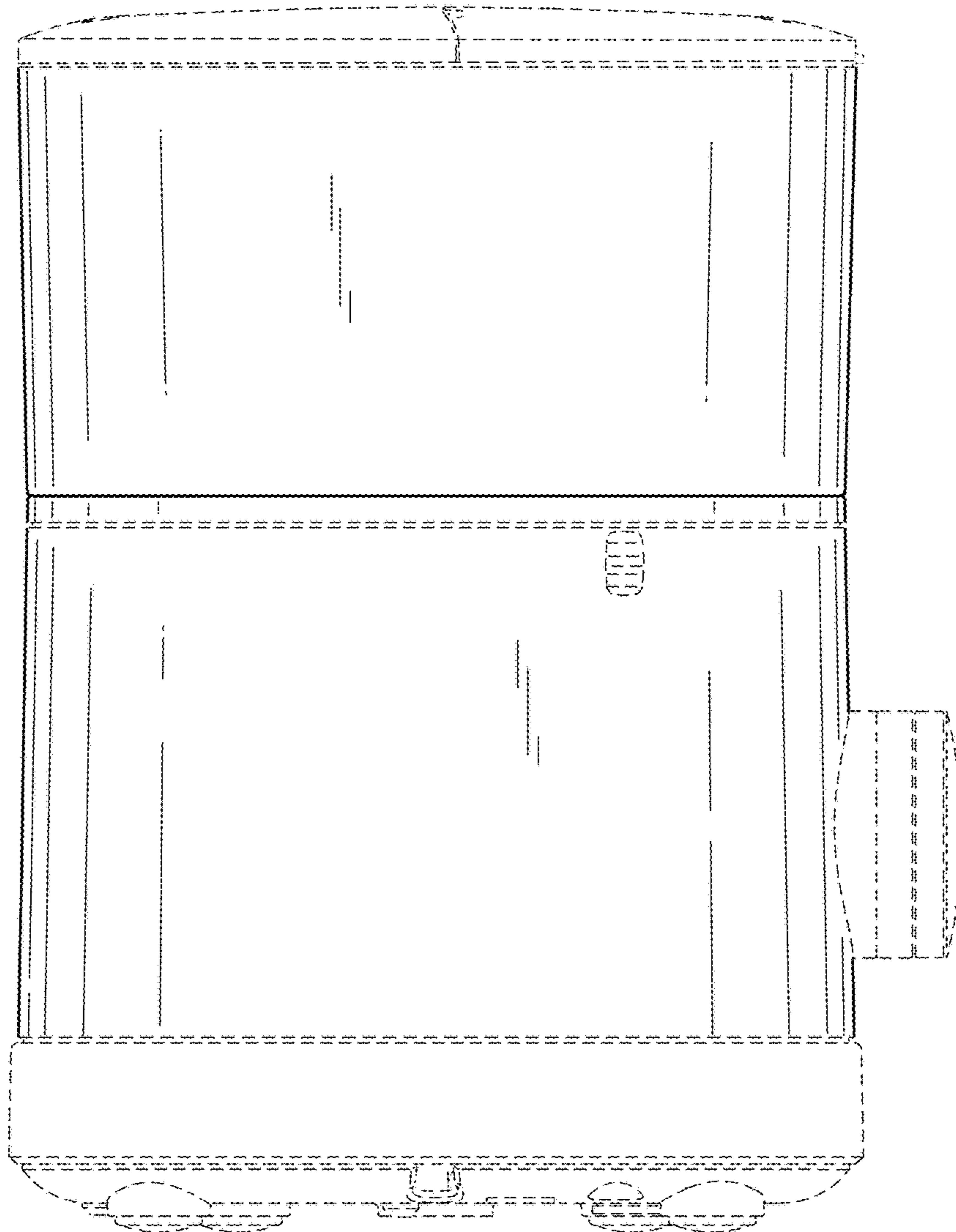


FIG. 3

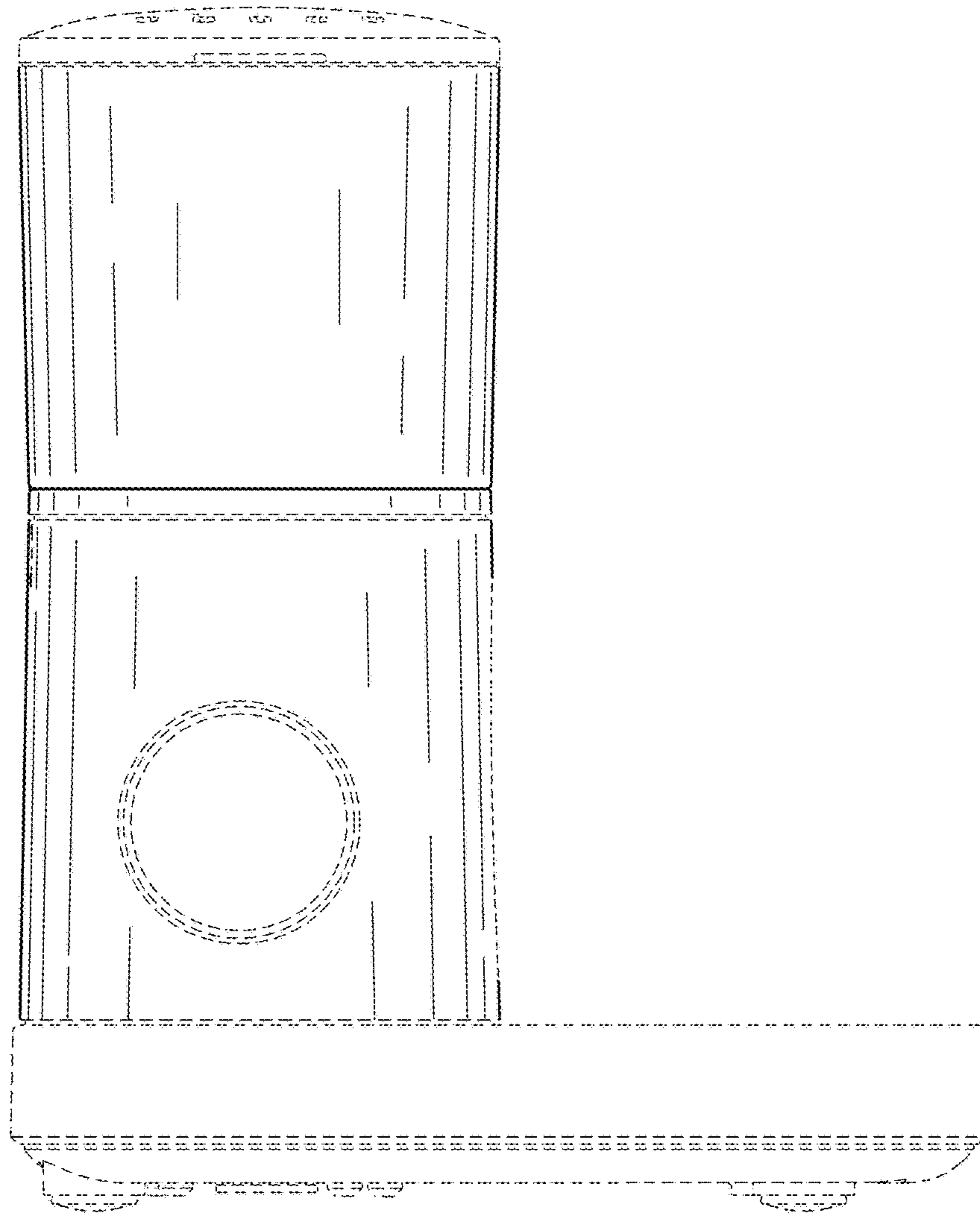


FIG. 4

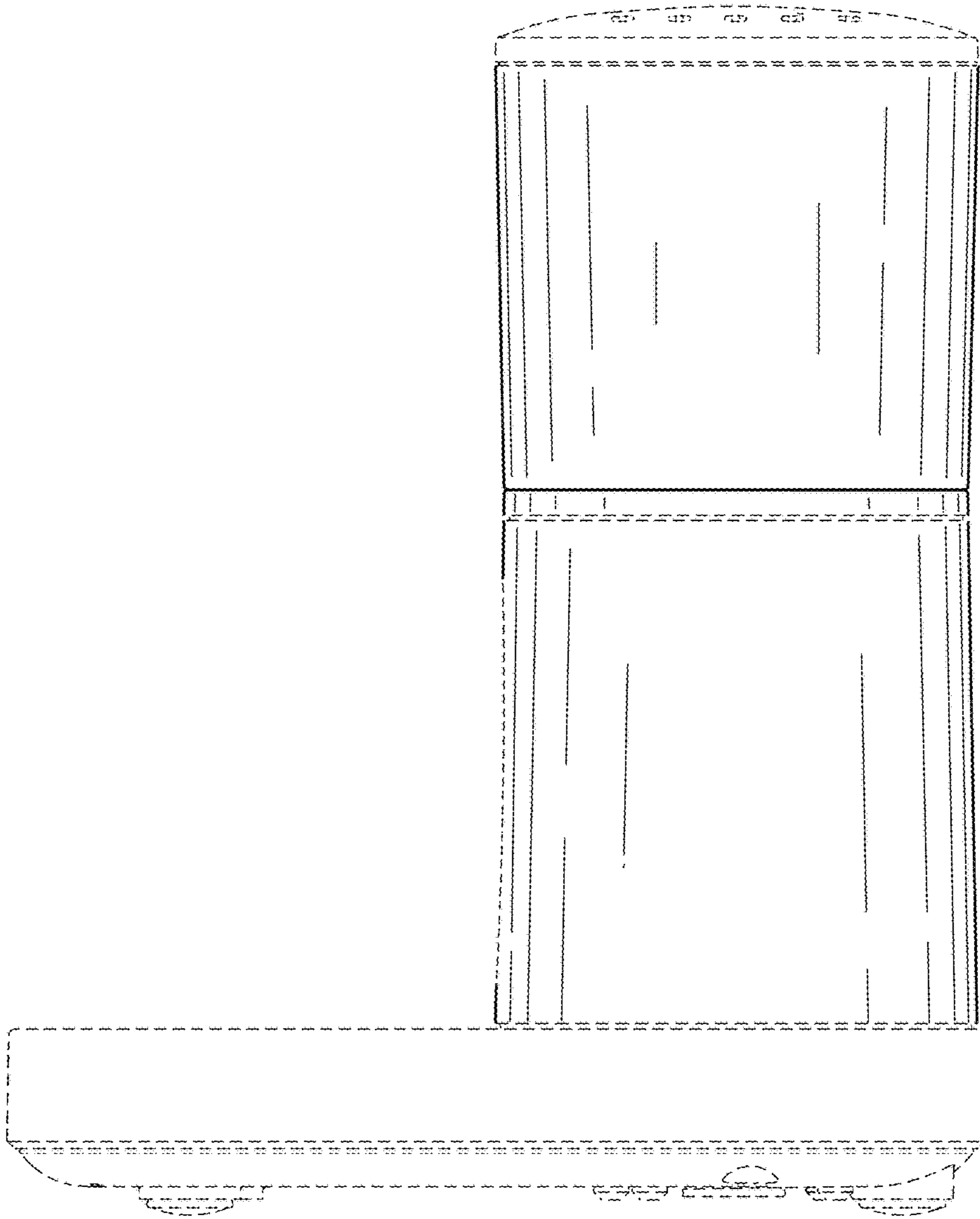


FIG. 5

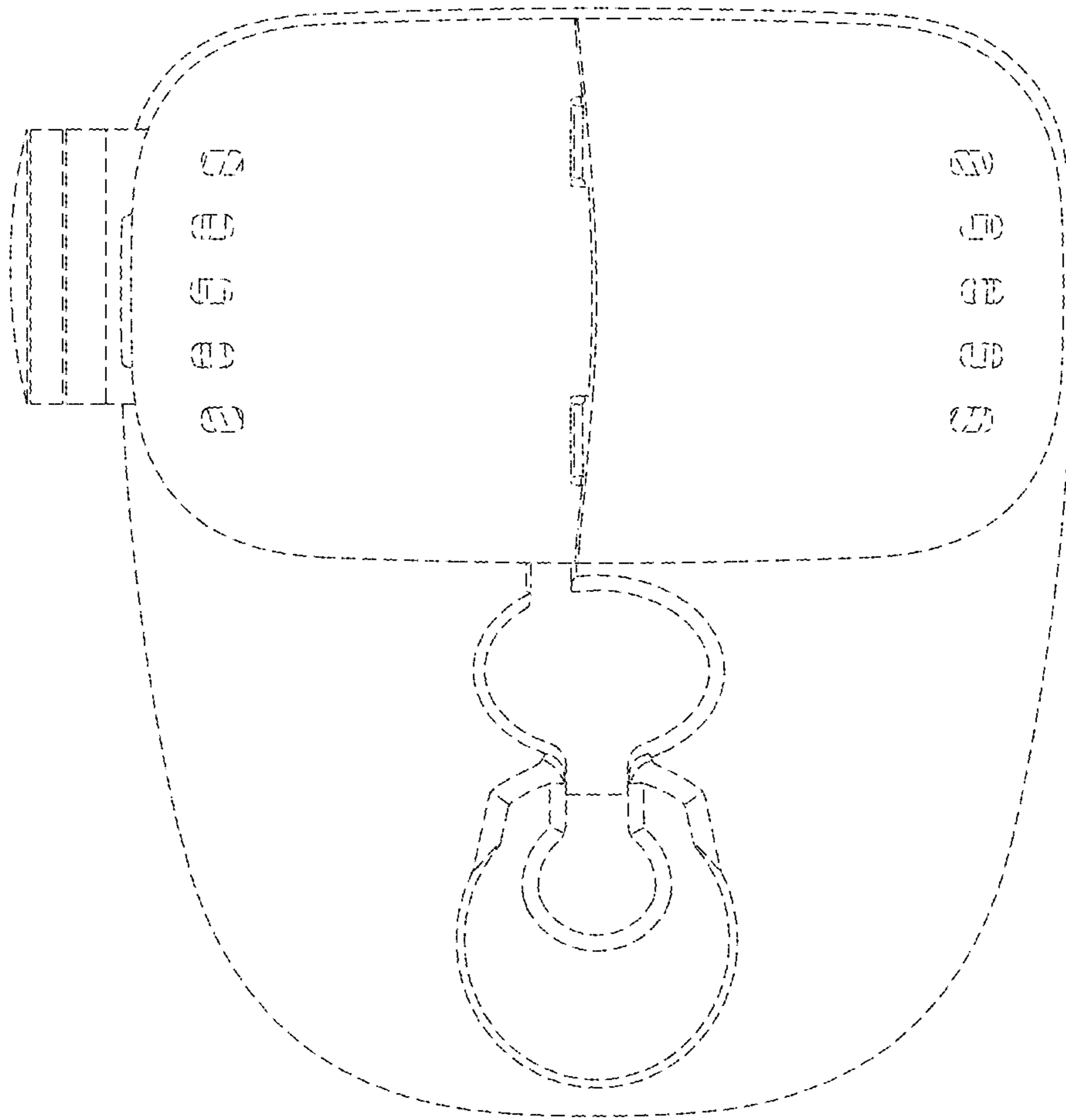


FIG. 6

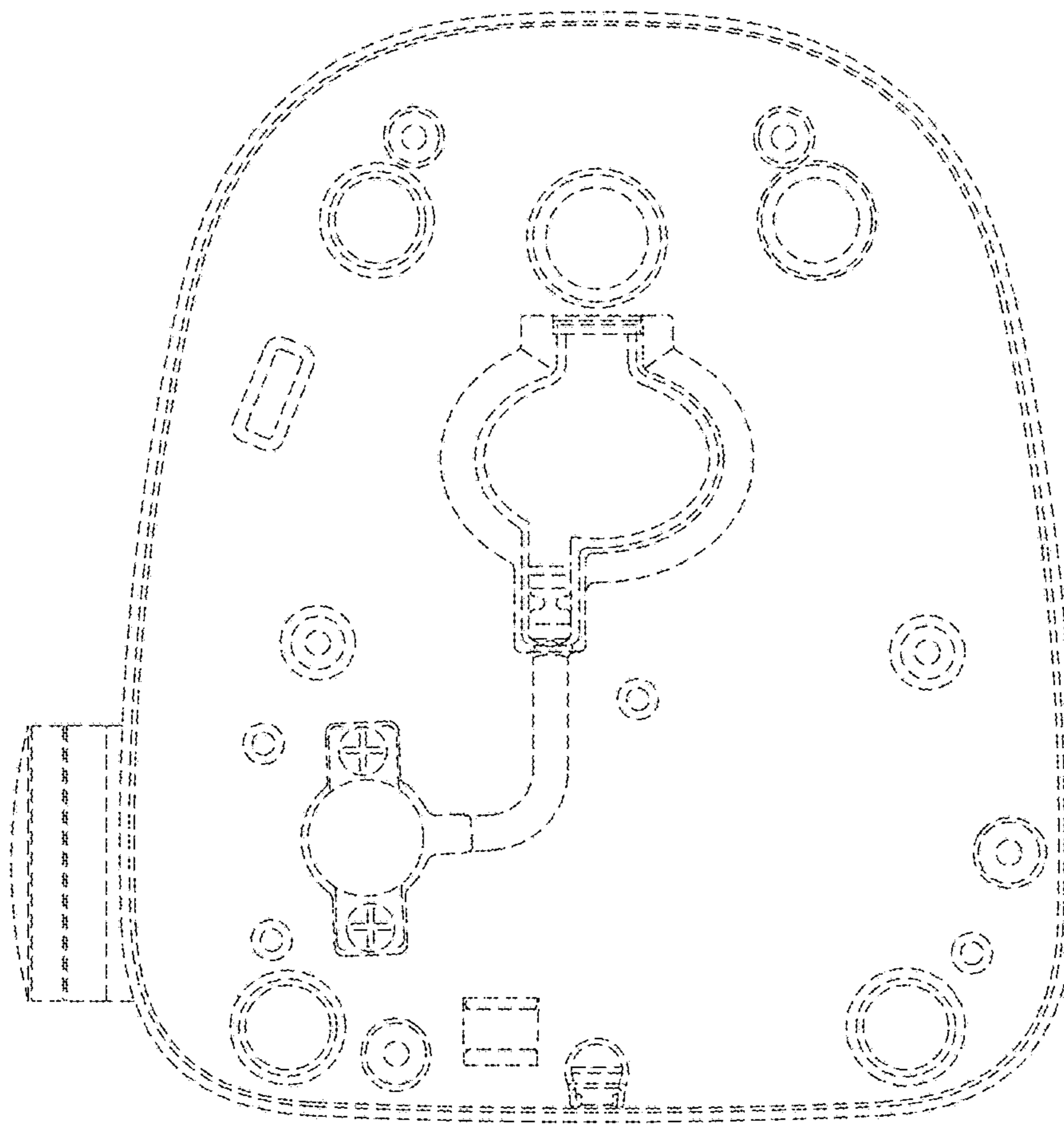


FIG. 7