



US00D859642S

(12) **United States Design Patent**
Xiong

(10) **Patent No.:** **US D859,642 S**

(45) **Date of Patent:** **** Sep. 10, 2019**

(54) **DIVING MASK**

(71) Applicant: **Shenzhen Xinsenlin Technology Co., Ltd.**, Shenzhen (CN)

(72) Inventor: **Yan Xiong**, Shenzhen (CN)

(73) Assignee: **Shenzhen Xinsenlin Technology Co., Ltd.**, Shenzhen (CN)

(**) Term: **15 Years**

(21) Appl. No.: **29/648,026**

(22) Filed: **May 17, 2018**

(51) **LOC (12) Cl.** **29-02**

(52) **U.S. Cl.**
USPC **D24/110.2**

(58) **Field of Classification Search**
USPC D24/110-110.6; D29/110
CPC B63C 11/205; B63C 11/16; B63C 11/186;
B63C 11/12
See application file for complete search history.

(56) **References Cited**

U.S. PATENT DOCUMENTS

- D775,722 S * 1/2017 Caprice D24/110.2
- D838,358 S * 1/2019 Xu D24/110.2
- D839,408 S * 1/2019 Hu D24/110.2
- 2016/0297505 A1 * 10/2016 Caprice B63C 11/16
- 2017/0096204 A1 * 4/2017 Cucchia B63C 11/12
- 2017/0334531 A1 * 11/2017 Shiue A62B 9/02
- 2018/0065719 A1 * 3/2018 Liao B63C 11/14
- 2018/0134352 A1 * 5/2018 Armani B63C 11/16
- 2018/0297676 A1 * 10/2018 Zheng B63C 11/16
- 2018/0319471 A1 * 11/2018 Thomas B63C 11/16
- 2019/0002068 A1 * 1/2019 Godoy B63C 11/205

- 2019/0023366 A1 * 1/2019 Liao B63C 11/16
- 2019/0039702 A1 * 2/2019 Gamberini B63C 11/12
- 2019/0118918 A1 * 4/2019 Xiao B63C 11/16

FOREIGN PATENT DOCUMENTS

EM 004156461-0001 * 9/2017

OTHER PUBLICATIONS

H2O Voyager 180 Mask Review. YouTube. Posted by Dakster Sullivan. Date published: May 30, 2017. Retrieved from internet: <<https://www.youtube.com/watch?v=X1h8yeHK9PE>> (Year: 2017).*

* cited by examiner

Primary Examiner — Lilyana Bekic

(74) *Attorney, Agent, or Firm* — Jiangip LLC; Yanling Jiang

(57) **CLAIM**

The ornamental design for a diving mask, as shown and described.

DESCRIPTION

FIG. 1 is a top left perspective view of a diving mask, showing my new design;
FIG. 2 is a front elevation view thereof;
FIG. 3 is a rear elevation view thereof;
FIG. 4 is a top plan view thereof;
FIG. 5 is a bottom plan view thereof;
FIG. 6 is a left side view thereof; and,
FIG. 7 is a right side view thereof.

1 Claim, 7 Drawing Sheets

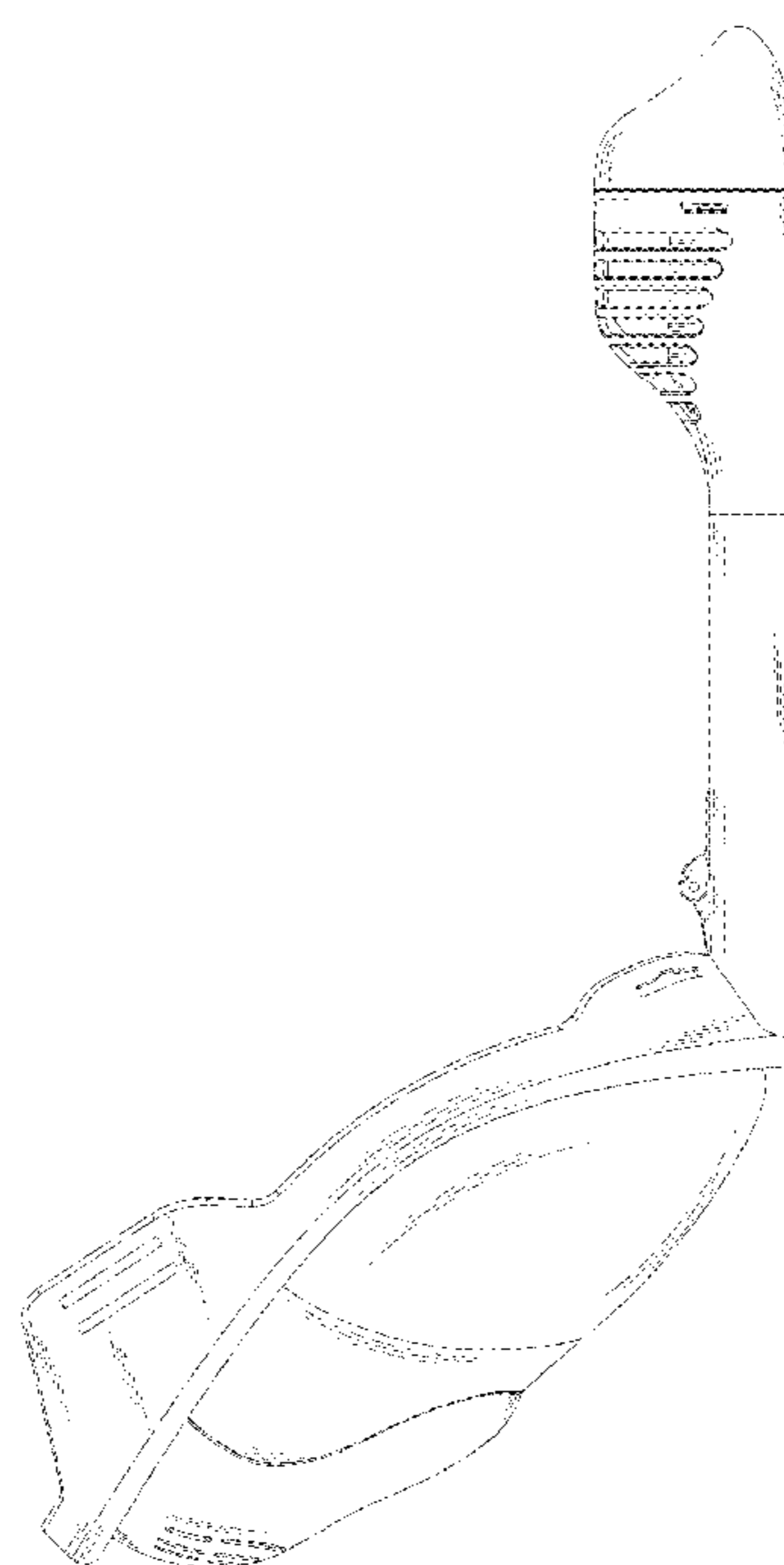
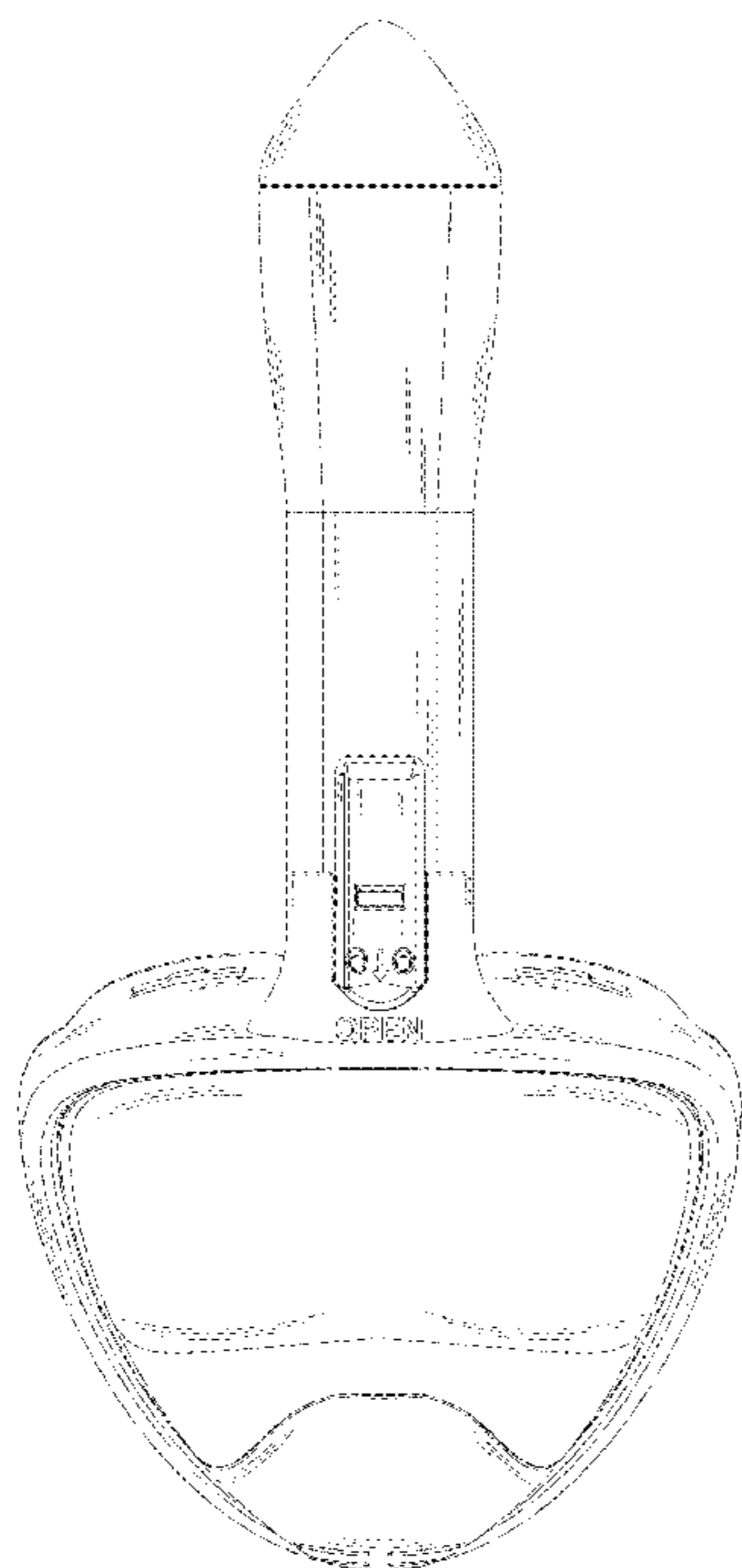


Fig. 1

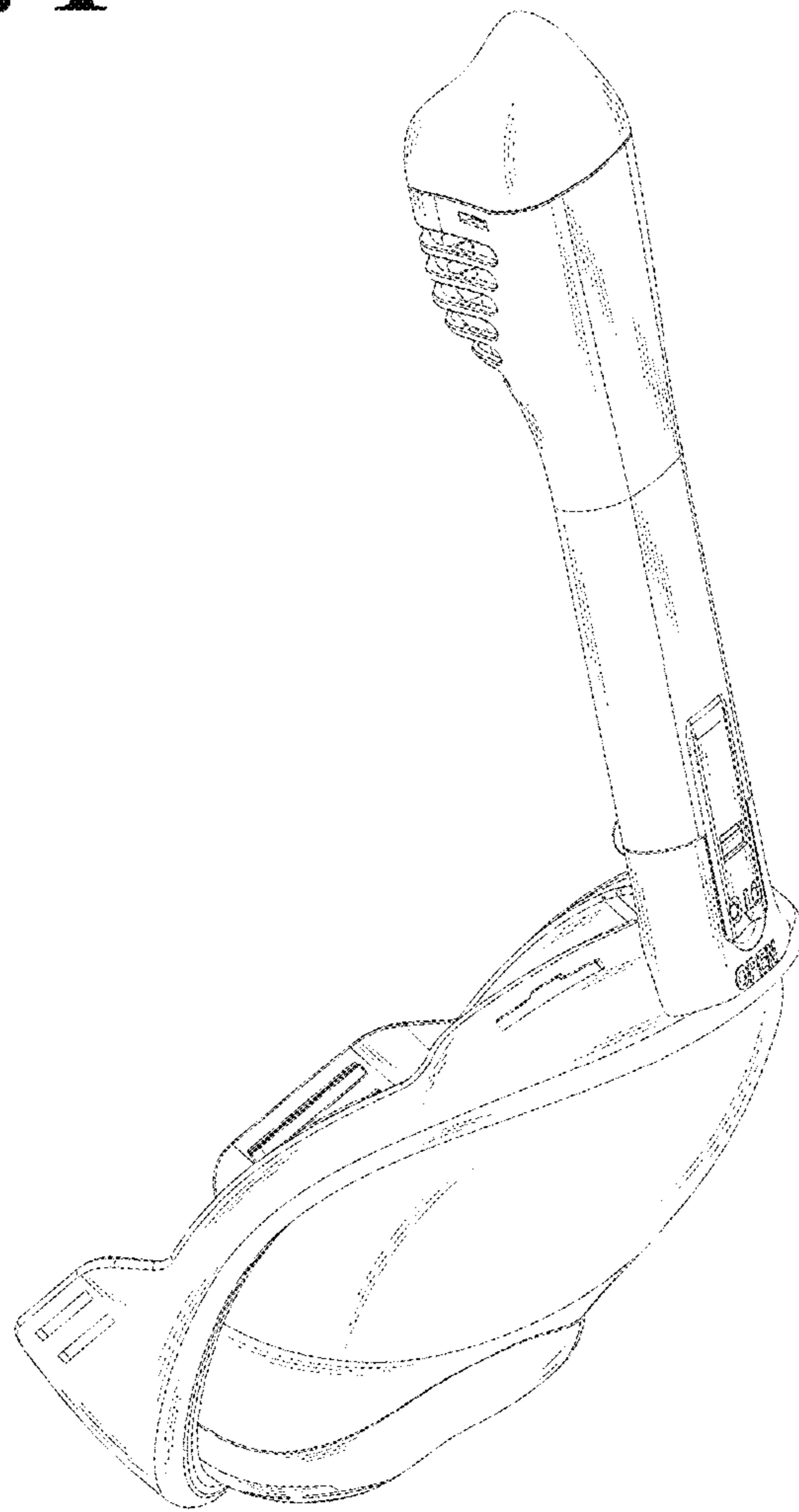


Fig. 2

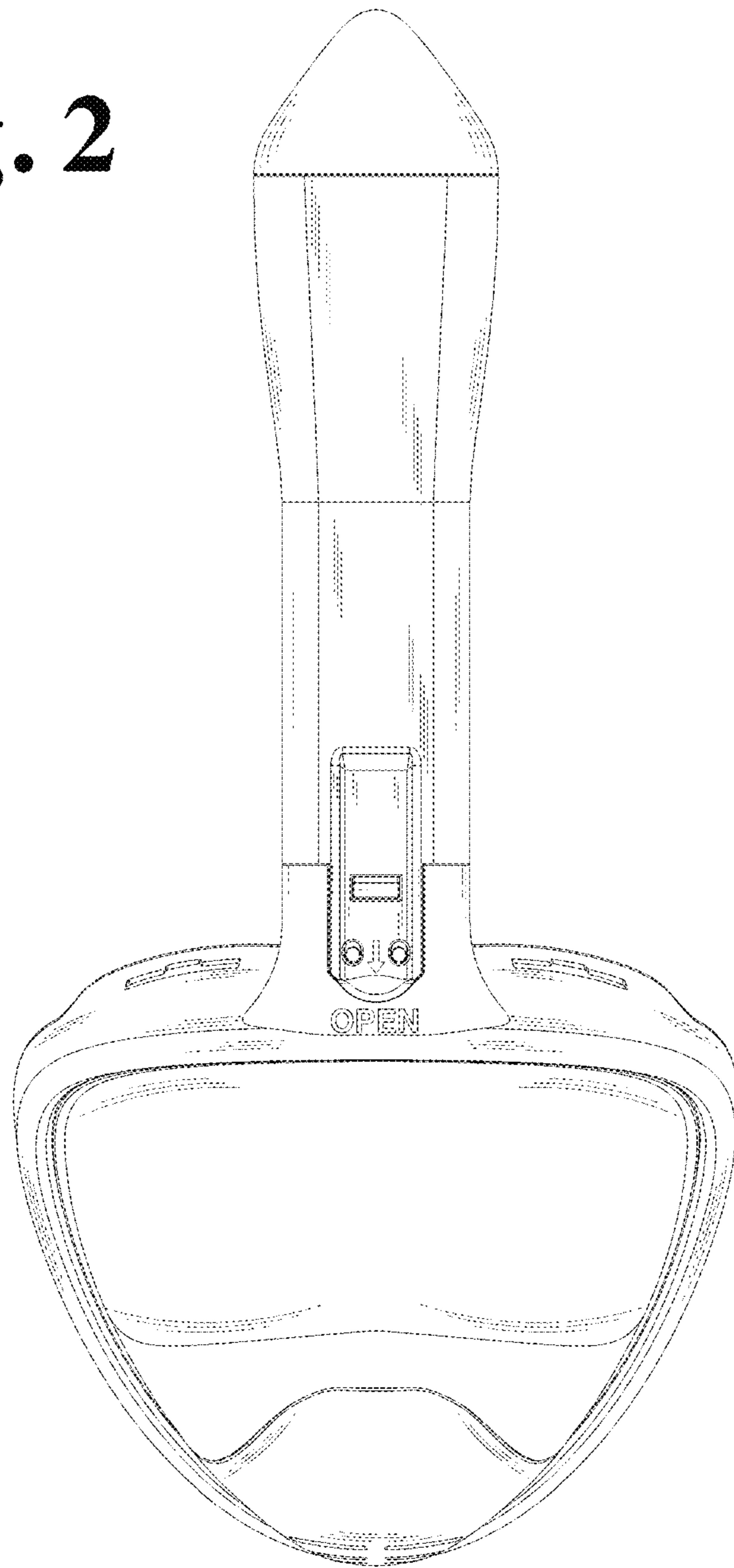


Fig. 3

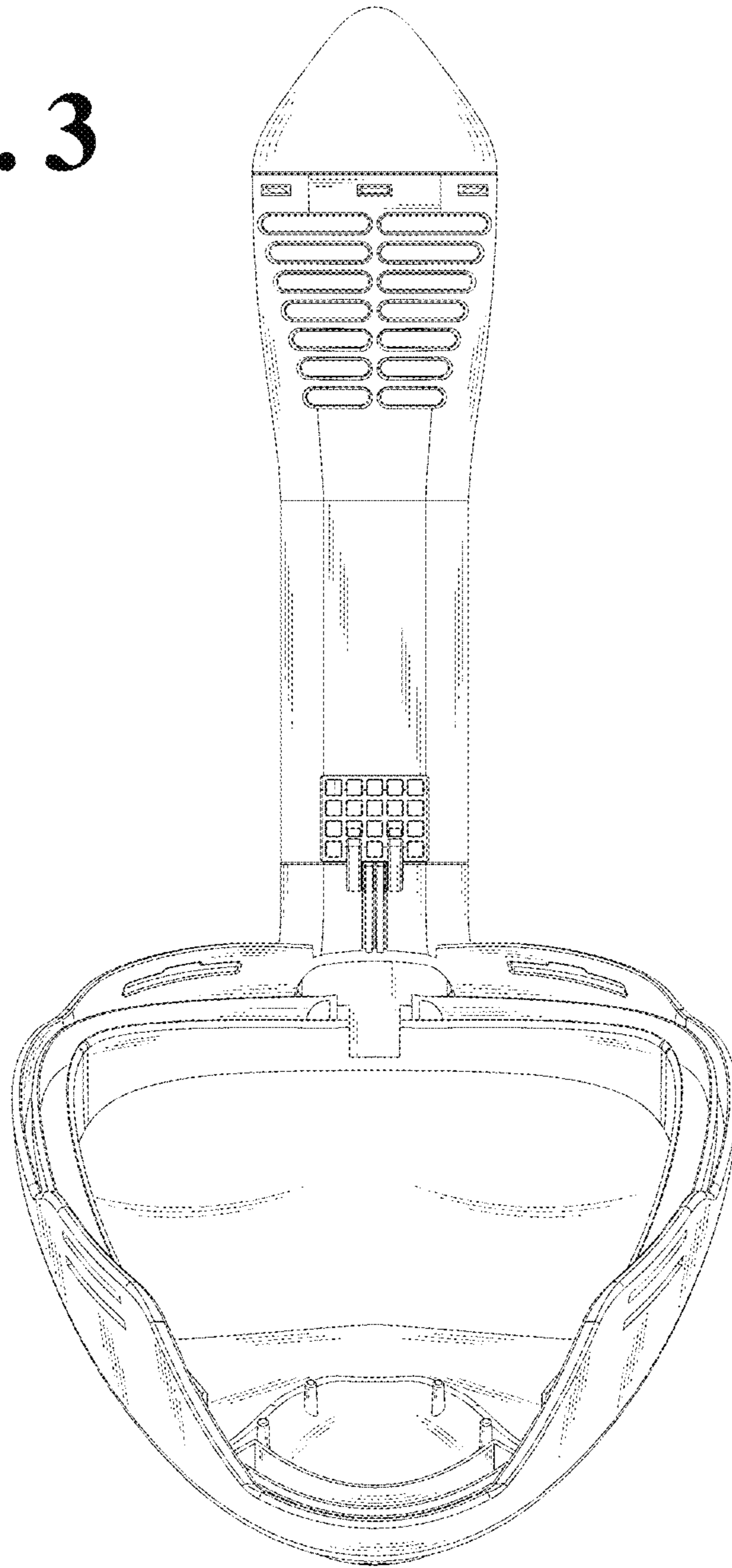


Fig. 4

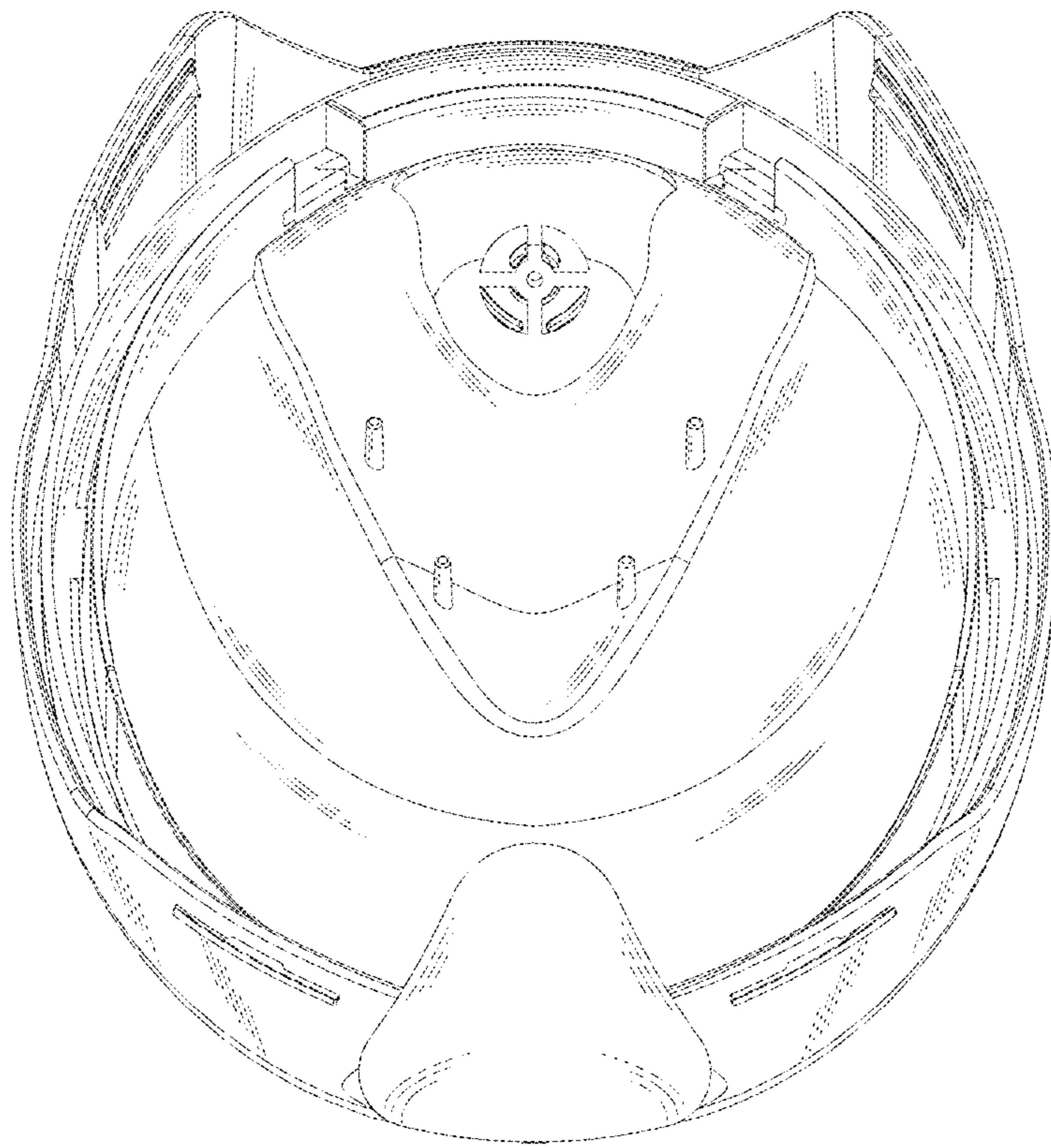


Fig. 5

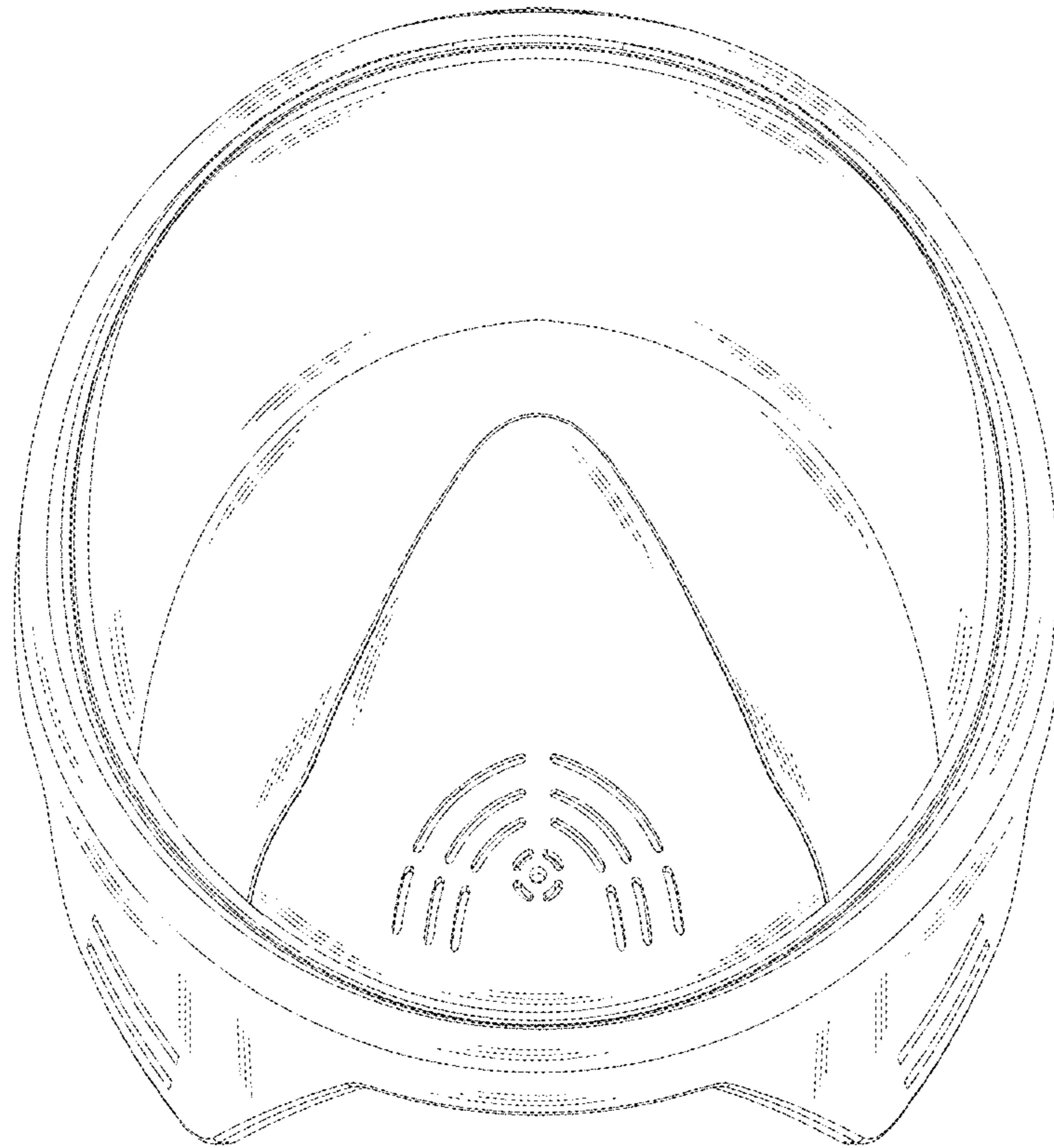
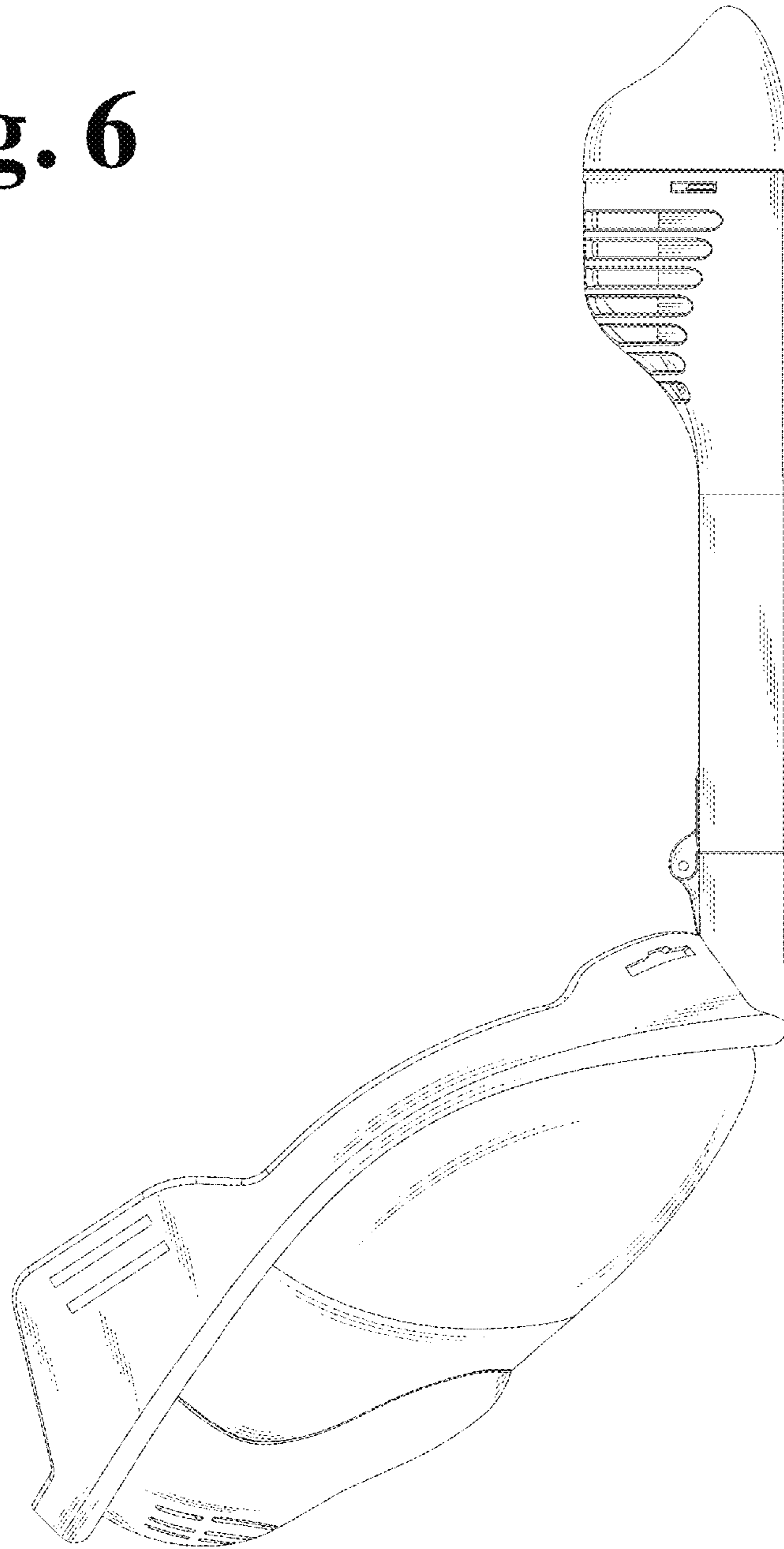


Fig. 6



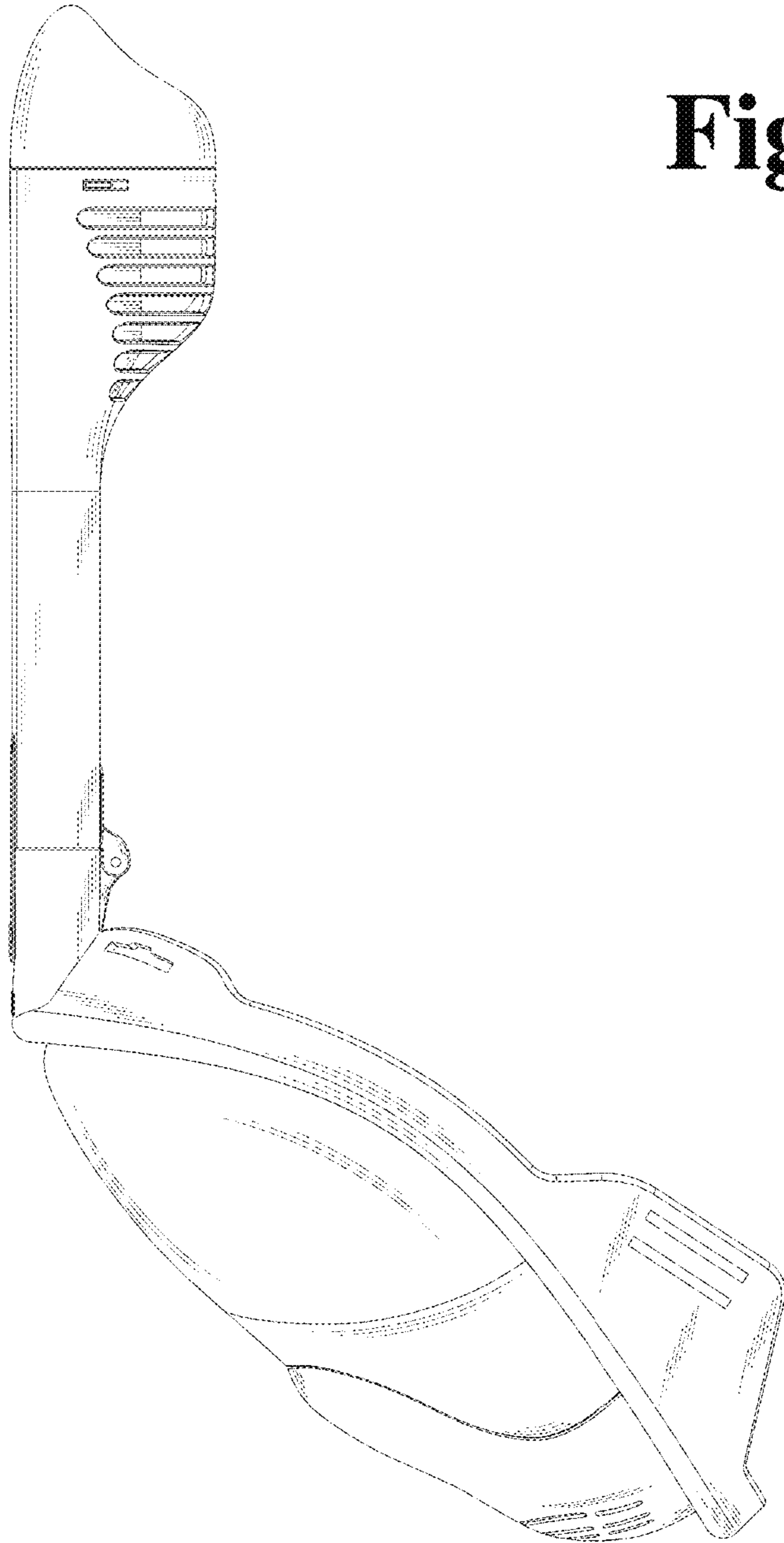


Fig. 7