



US00D859640S

(12) **United States Design Patent**  
**Collazo et al.**

(10) **Patent No.:** **US D859,640 S**

(45) **Date of Patent:** **\*\* Sep. 10, 2019**

- (54) **RESPIRATORY MASK**
- (71) Applicant: **InnoMed Healthscience, Inc.**, Coconut Creek, FL (US)
- (72) Inventors: **Louis Javier Collazo**, Pompano Beach, FL (US); **Christopher Agami**, Coral Springs, FL (US); **Bruce M. Sher**, North Palm Beach, FL (US); **Shara A. Hernandez**, Davie, FL (US)
- (73) Assignee: **InnoMed Healthscience, Inc.**, Coconut Creek, FL (US)

(\*\*) Term: **15 Years**

(21) Appl. No.: **29/626,265**

(22) Filed: **Nov. 15, 2017**

(51) **LOC (12) Cl.** ..... **29-02**

(52) **U.S. Cl.**  
USPC ..... **D24/110.1**

(58) **Field of Classification Search**  
USPC ..... D24/110.1, 110.4–110.5, 106, 112, 135, D24/127  
CPC ..... A61M 16/0666; A61M 16/0683; A61M 16/06; A61M 2210/0618; A61M 16/0672; A61M 16/0622; A62B 23/06  
See application file for complete search history.

(56) **References Cited**

**U.S. PATENT DOCUMENTS**

D31,465 S *	8/1899	Conlin	.....	D24/112
D533,269 S *	12/2006	McAuley	.....	D24/110.6
7,210,481 B1 *	5/2007	Lovell	.....	A61M 16/06 128/205.25
D612,933 S *	3/2010	Prentice	.....	D24/110.1
D661,796 S *	6/2012	Andrews	.....	D24/110.1
8,430,098 B1 *	4/2013	Buddharaju	.....	A61M 16/0666 128/204.18
D686,313 S *	7/2013	Matula, Jr.	.....	D24/110.1

D687,539 S *	8/2013	Matula, Jr.	.....	D24/110.1
D729,381 S *	5/2015	Himes	.....	D24/110.1
D746,436 S *	12/2015	Guney	.....	D24/110.1
D747,460 S *	1/2016	Hogea	.....	D24/110.1
D747,794 S *	1/2016	Greenberg	.....	D24/110.1
D787,661 S *	5/2017	Edwards	.....	D24/110.4
2011/0232649 A1 *	9/2011	Collazo	.....	A61M 16/06 128/207.18
2013/0186404 A1 *	7/2013	Chien	.....	A61M 16/0666 128/206.21
2014/0326248 A1 *	11/2014	Haibach	.....	A61M 16/0666 128/207.18
2015/0013685 A1 *	1/2015	Haibach	.....	A61M 16/0666 128/207.18

(Continued)

*Primary Examiner* — Karen E Kearney

*Assistant Examiner* — Lilyana Bekic

(74) *Attorney, Agent, or Firm* — Maier & Maier PLLC

(57) **CLAIM**

The ornamental design for a respiratory mask, as shown and described.

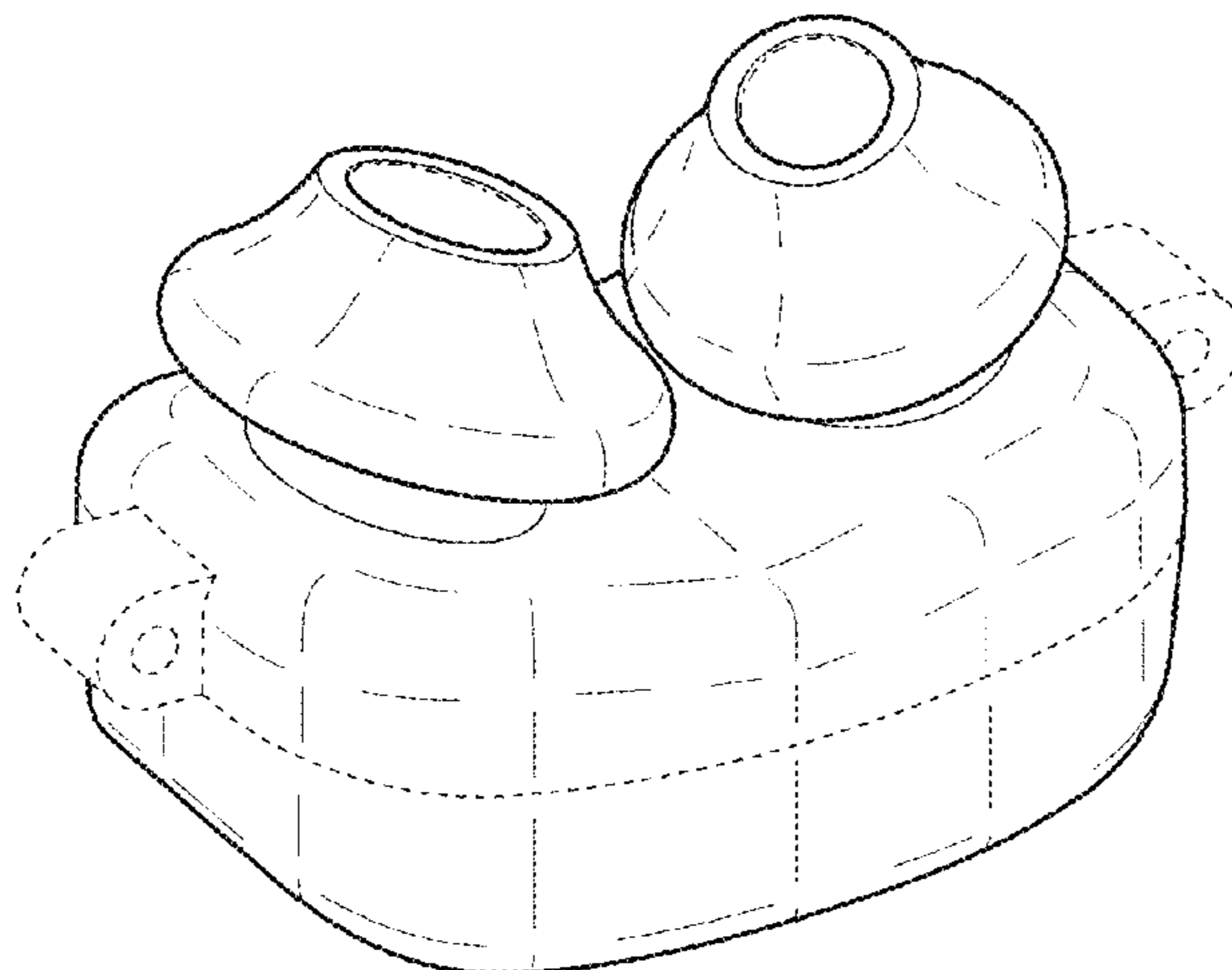
**DESCRIPTION**

FIG. 1 is a top perspective view of a respiratory mask; FIG. 2 is a bottom perspective view thereof; FIG. 3 is a top plan view thereof; FIG. 4 is a bottom plan view thereof; FIG. 5 is a front elevation view thereof; FIG. 6 is a rear elevation view thereof; FIG. 7 is a left side elevation view thereof; and, FIG. 8 is a right side elevation view thereof.

The broken line showing of portions of the respiratory mask form no part of the claimed design.

The dot-dash-dot broken lines define the bounds of the claim and form no part thereof. The boundary lines appear on interior surfaces of the respiratory mask, where visible, and immediately adjacent to claimed edges, representing that the interior surface forms no part of the claimed design.

**1 Claim, 4 Drawing Sheets**



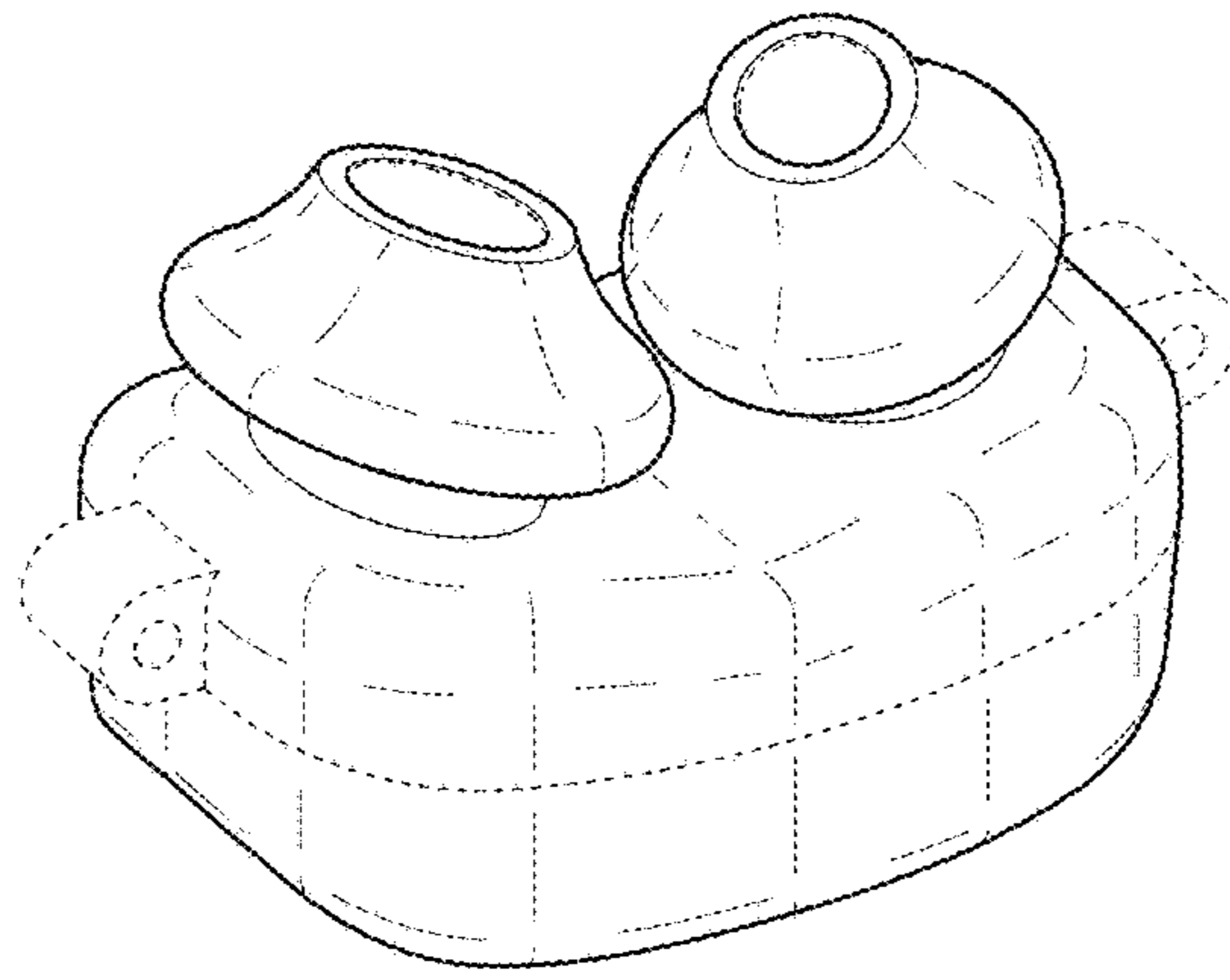
(56)

**References Cited**

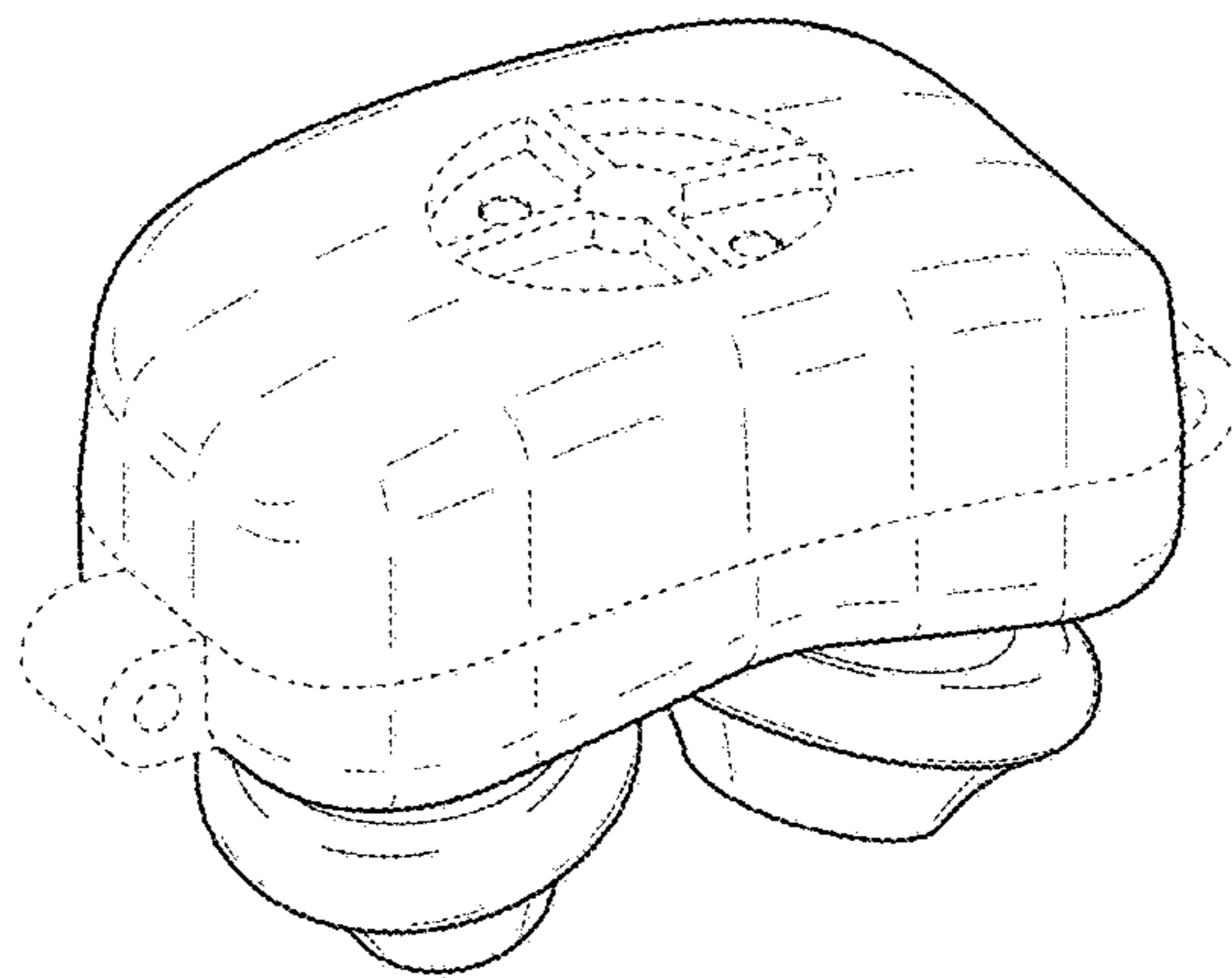
U.S. PATENT DOCUMENTS

2016/0051784 A1\* 2/2016 Eury ..... A61M 16/0666  
128/207.18  
2016/0106945 A1\* 4/2016 Swift ..... A61M 16/06  
128/205.25  
2018/0015247 A1\* 1/2018 Marsh ..... A61M 16/0616  
2018/0049638 A1\* 2/2018 Ewers ..... A61M 16/208  
2019/0070441 A1\* 3/2019 Archouniani ..... A62B 23/06

\* cited by examiner



*Fig. 1*



*Fig. 2*

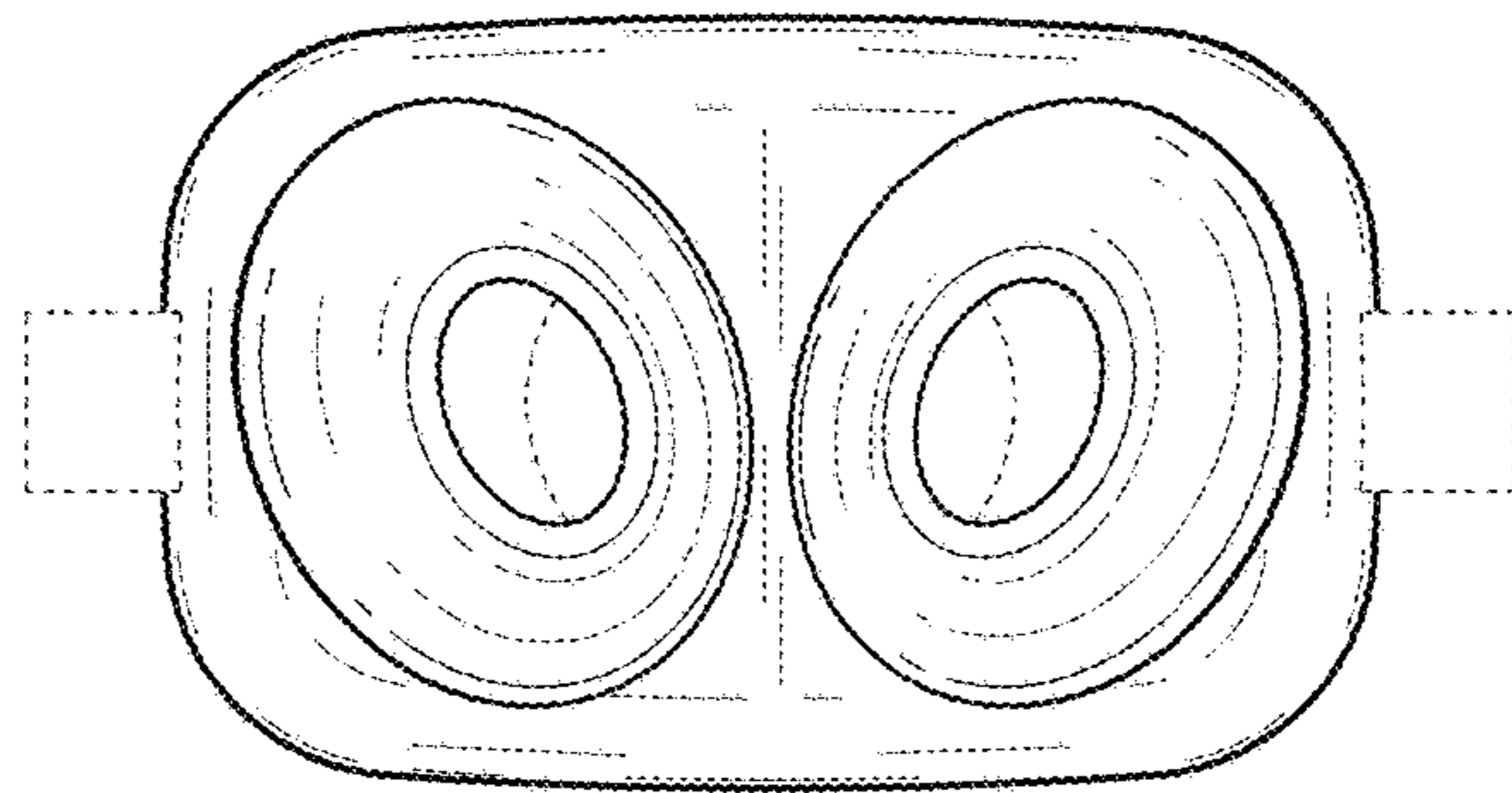


Fig. 3

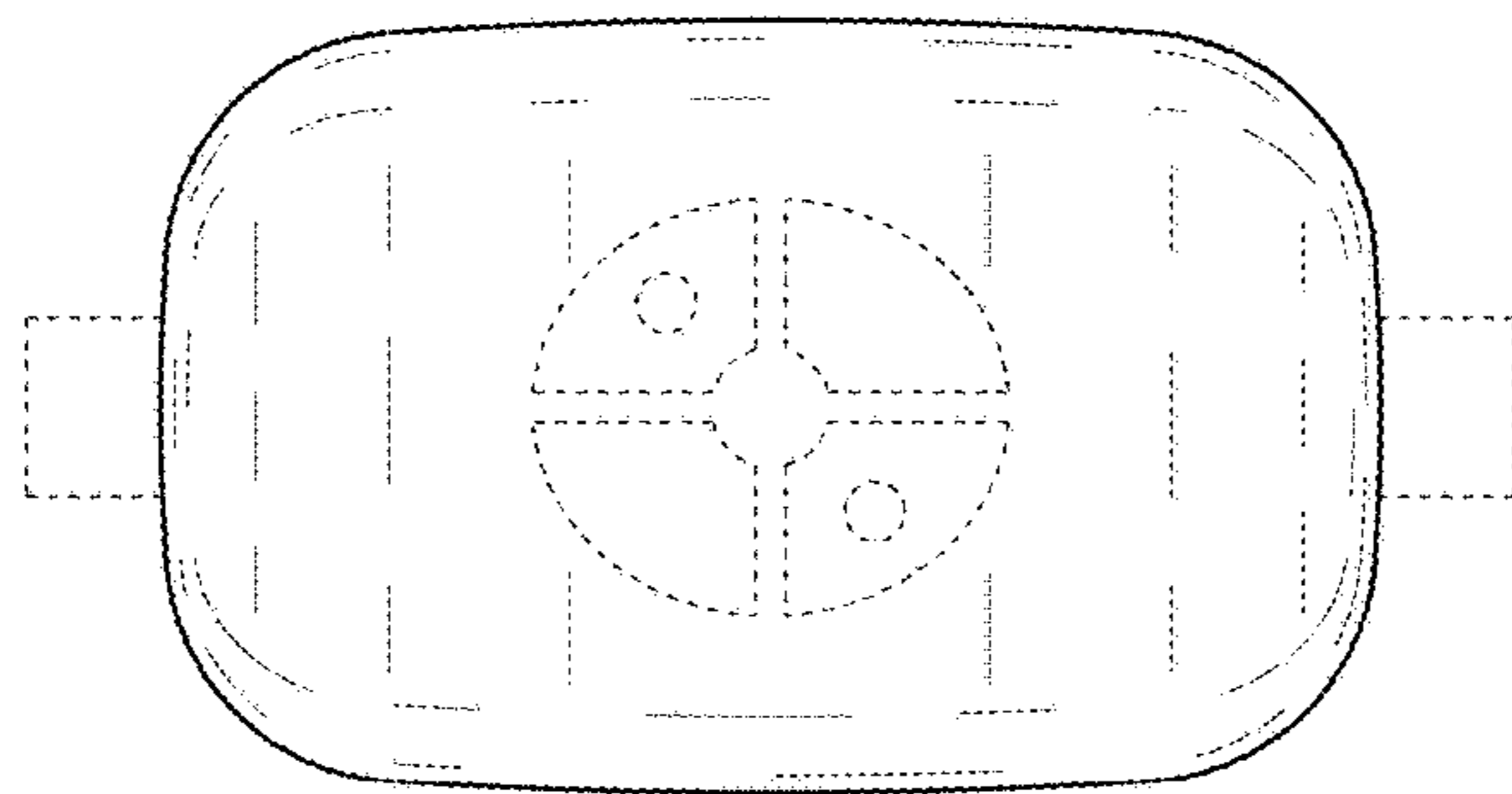
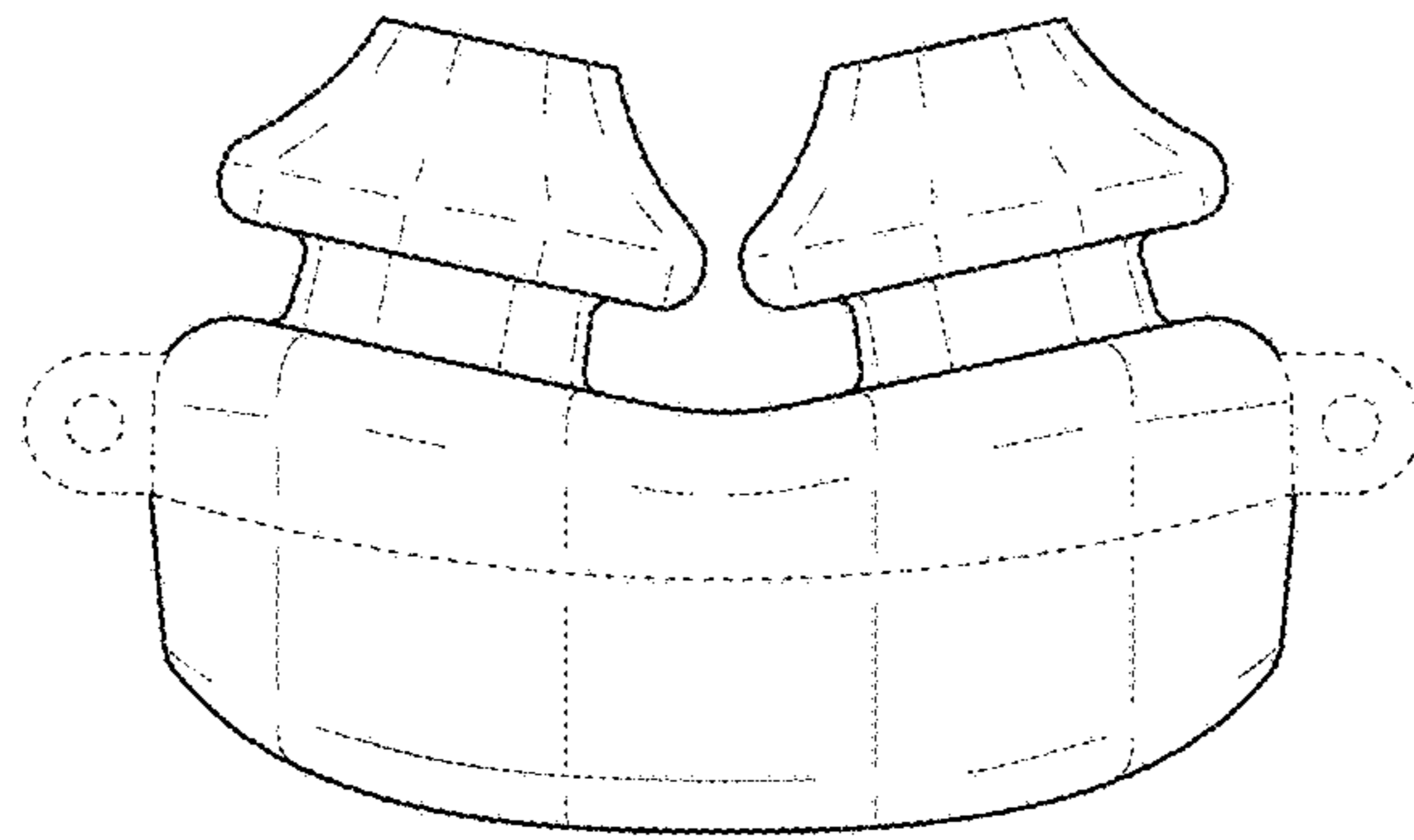
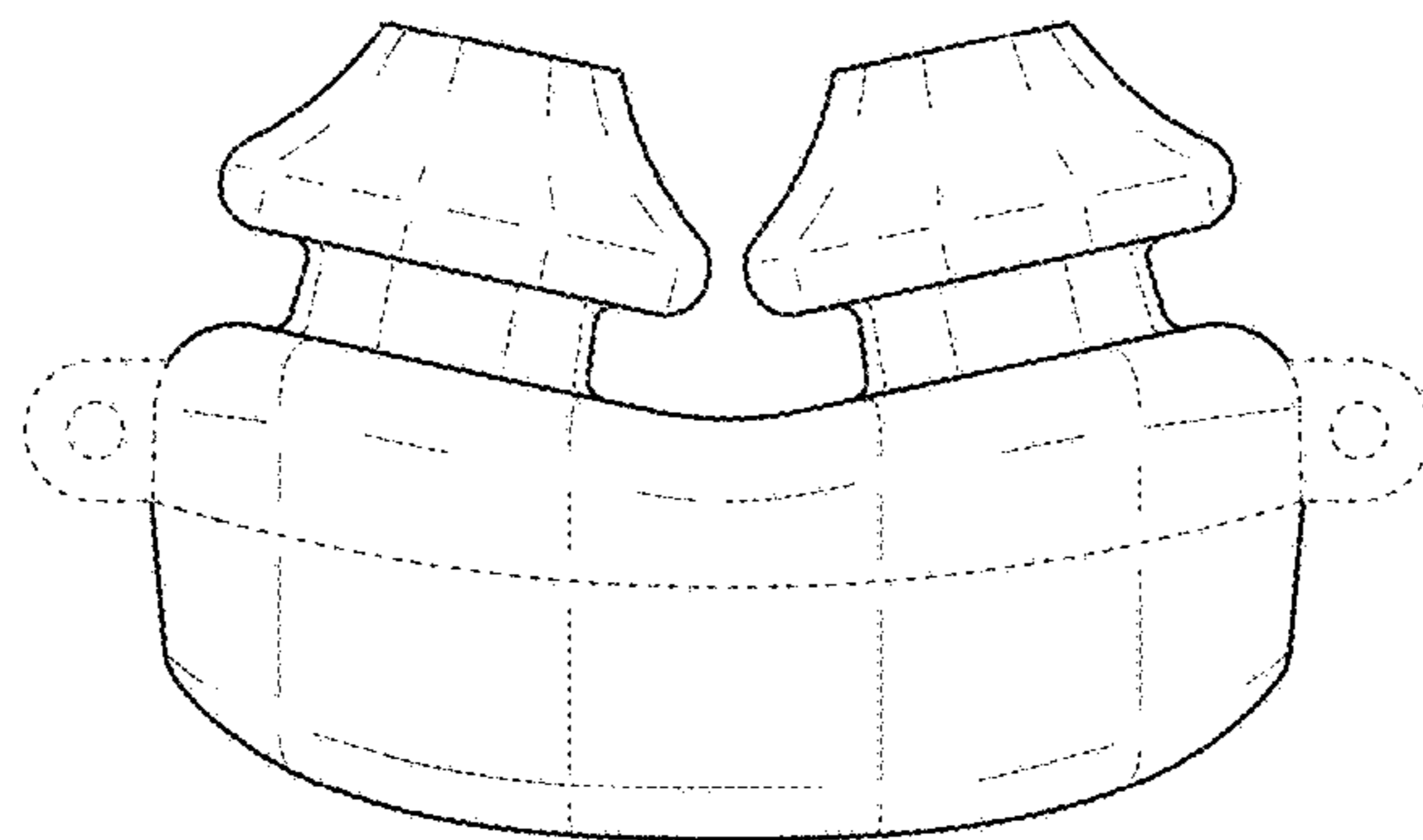


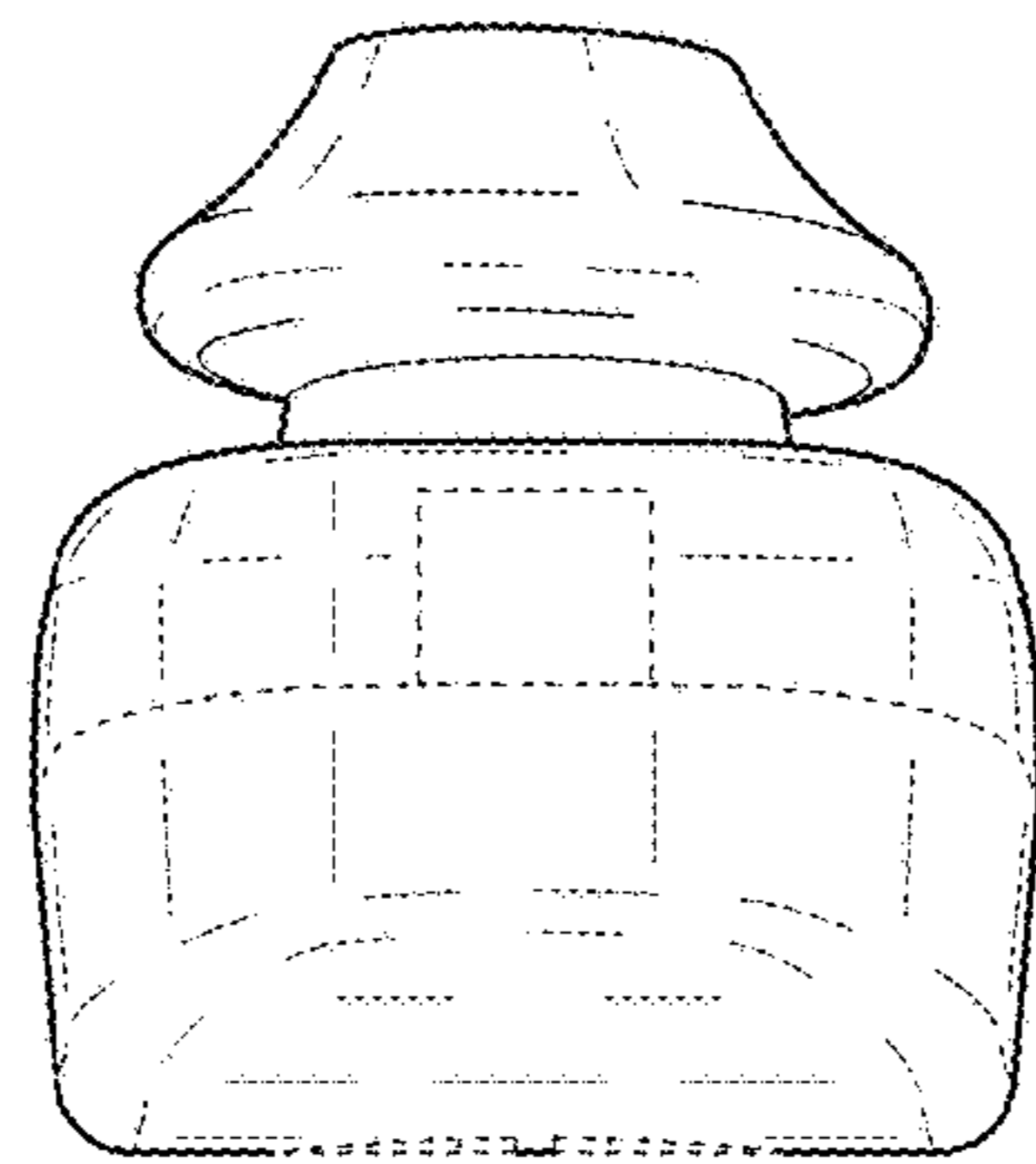
Fig. 4



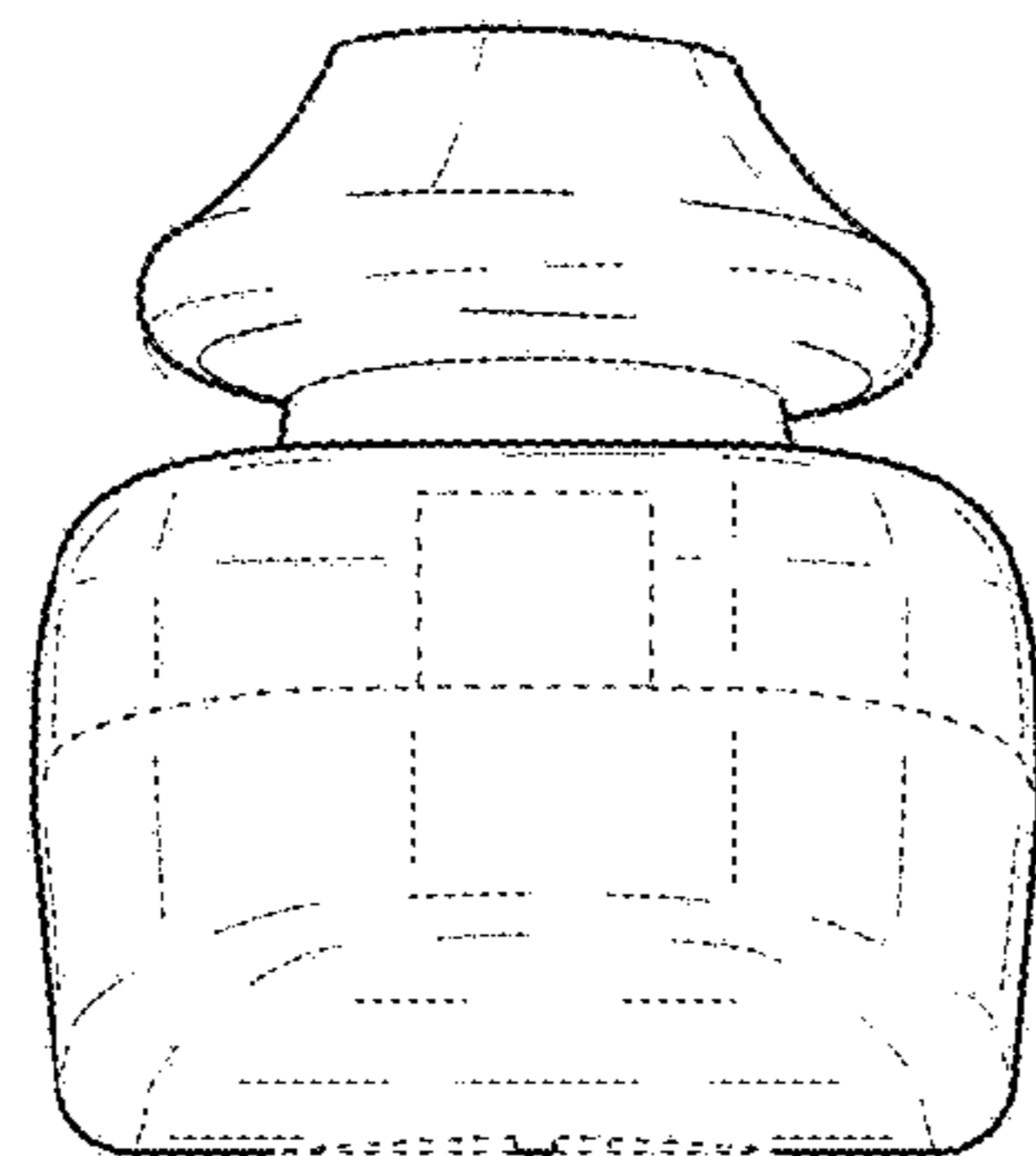
*Fig. 5*



*Fig. 6*



*Fig. 7*



*Fig. 8*