



US00D859639S

(12) **United States Design Patent** (10) **Patent No.:** **US D859,639 S**
Collazo et al. (45) **Date of Patent:** **** Sep. 10, 2019**

(54) **RESPIRATORY MASK**
(71) Applicant: **InnoMed Healthscience, Inc.**, Coconut Creek, FL (US)
(72) Inventors: **Louis Javier Collazo**, Pompano Beach, FL (US); **Christopher Agami**, Coral Springs, FL (US); **Bruce M. Sher**, North Palm Beach, FL (US); **Shara A. Hernandez**, Davie, FL (US)
(73) Assignee: **InnoMed Healthscience, Inc.**, Coconut Creek, FL (US)

(**) Term: **15 Years**

(21) Appl. No.: **29/626,262**

(22) Filed: **Nov. 15, 2017**

(51) **LOC (12) Cl.** **29-02**

(52) **U.S. Cl.**
USPC **D24/110.1**

(58) **Field of Classification Search**
USPC D24/110.1, 110.4–110.5, 106, 112, 135, D24/127
CPC A61M 16/0666; A61M 16/0683; A61M 16/06; A61M 2210/0618; A61M 16/0672; A61M 16/0622; A62B 23/06
See application file for complete search history.

(56) **References Cited**

U.S. PATENT DOCUMENTS

D31,465 S * 8/1899 Conlin D24/112
D533,269 S * 12/2006 McAuley D24/110.6
7,210,481 B1 * 5/2007 Lovell A61M 16/06
128/205.25
D612,933 S * 3/2010 Prentice D24/110.1
D661,796 S * 6/2012 Andrews D24/110.1
8,430,098 B1 * 4/2013 Buddharaju A61M 16/0666
128/204.18
D686,313 S * 7/2013 Matula, Jr. D24/110.1

D687,539 S * 8/2013 Matula, Jr. D24/110.1
D729,381 S * 5/2015 Himes D24/110.1
D746,436 S * 12/2015 Guney D24/110.1
D747,460 S * 1/2016 Hoge D24/110.1
D747,794 S * 1/2016 Greenberg D24/110.1
D787,661 S * 5/2017 Edwards D24/110.4
2011/0232649 A1 * 9/2011 Collazo A61M 16/06
128/207.18
2013/0186404 A1 * 7/2013 Chien A61M 16/0666
16/666
2014/0326248 A1 * 11/2014 Haibach A61M 16/0666
128/207.18
2015/0013685 A1 * 1/2015 Haibach A61M 16/0666
128/207.18

(Continued)

Primary Examiner — Karen E Kearney

Assistant Examiner — Lilyana Bekic

(74) *Attorney, Agent, or Firm* — Maier & Maier, PLLC

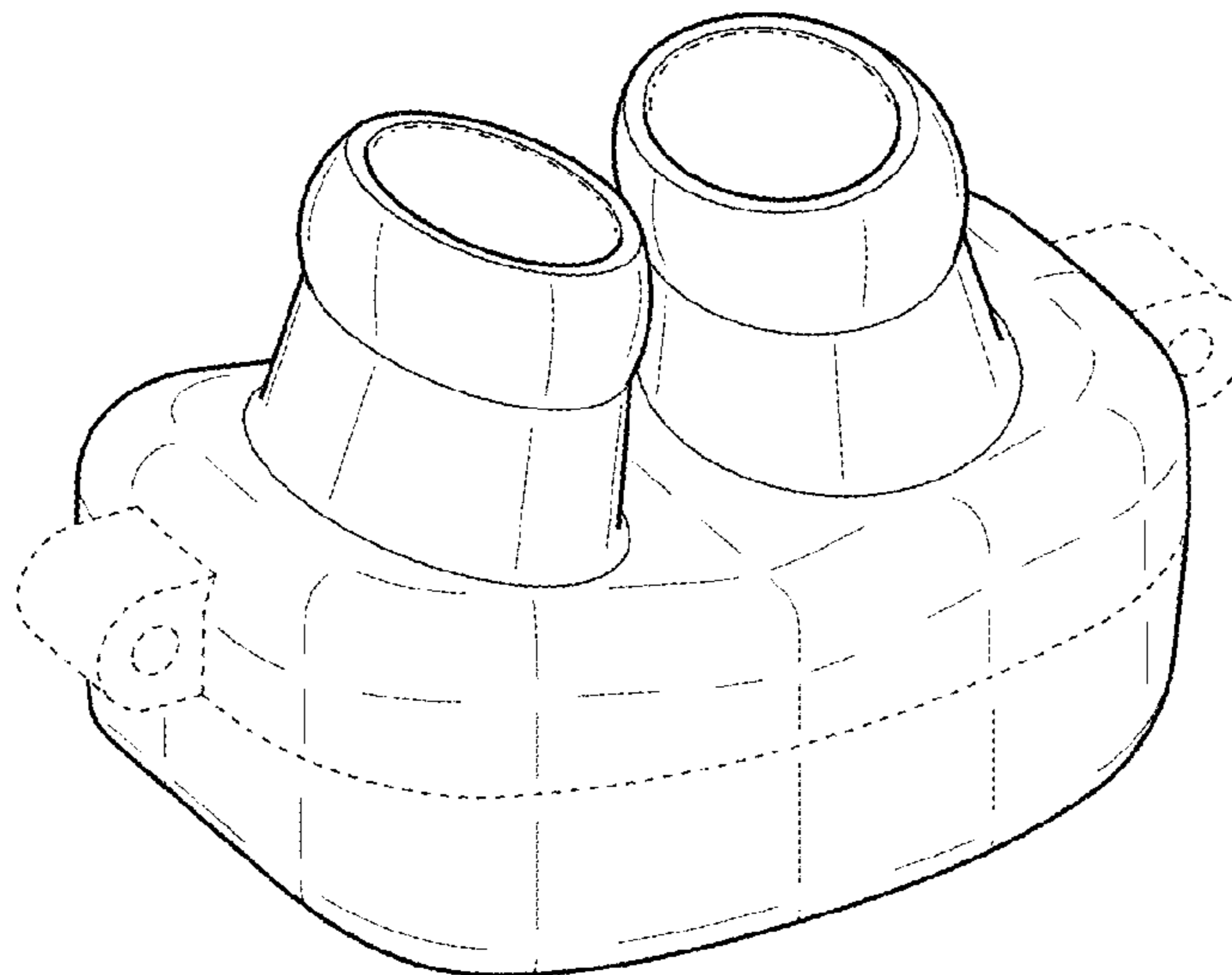
(57) **CLAIM**

The ornamental design for a respiratory mask, as shown and described.

DESCRIPTION

FIG. 1 is a top perspective view of a respiratory mask;
FIG. 2 is a bottom perspective view thereof;
FIG. 3 is a top plan view thereof;
FIG. 4 is a bottom plan view thereof;
FIG. 5 is a front elevation view thereof;
FIG. 6 is a rear elevation view thereof;
FIG. 7 is a left side elevation view thereof; and,
FIG. 8 is a right side elevation view thereof.
The broken line showing of portions of the respiratory mask form no part of the claimed design.
The dot-dash-dot broken lines define the bounds of the claim and form no part thereof. The boundary lines appear on interior surfaces of the respiratory mask, where visible, and immediately adjacent to claimed edges, representing that the interior surface forms no part of the claimed design.

1 Claim, 4 Drawing Sheets



(56)

References Cited

U.S. PATENT DOCUMENTS

2016/0051784 A1* 2/2016 Eury A61M 16/0666
128/207.18
2016/0106945 A1* 4/2016 Swift A61M 16/06
128/205.25
2018/0015247 A1* 1/2018 Marsh A61M 16/0616
2018/0049638 A1* 2/2018 Ewers A61M 16/208
2019/0070441 A1* 3/2019 Archouniani A62B 23/06

* cited by examiner

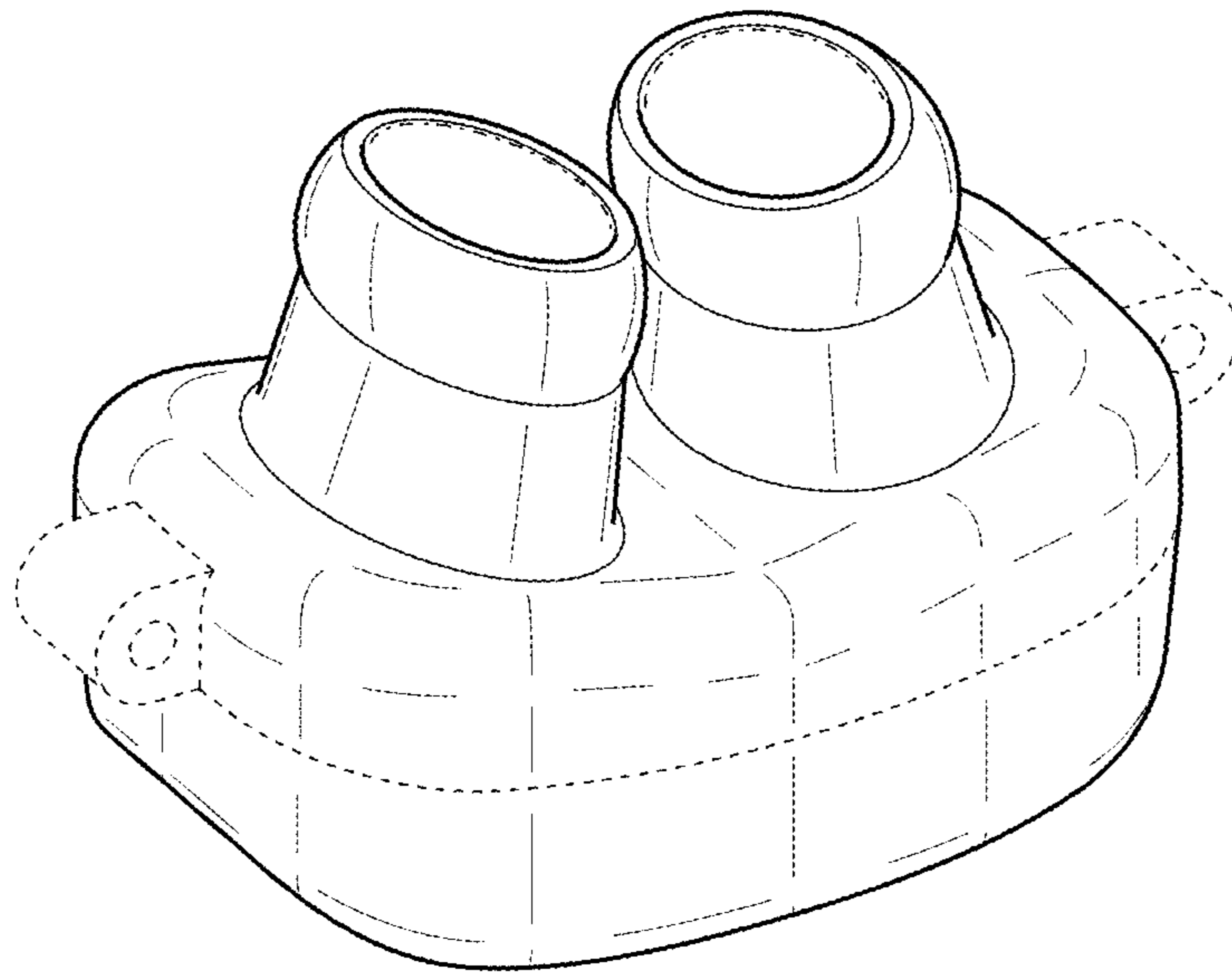


Fig. 1

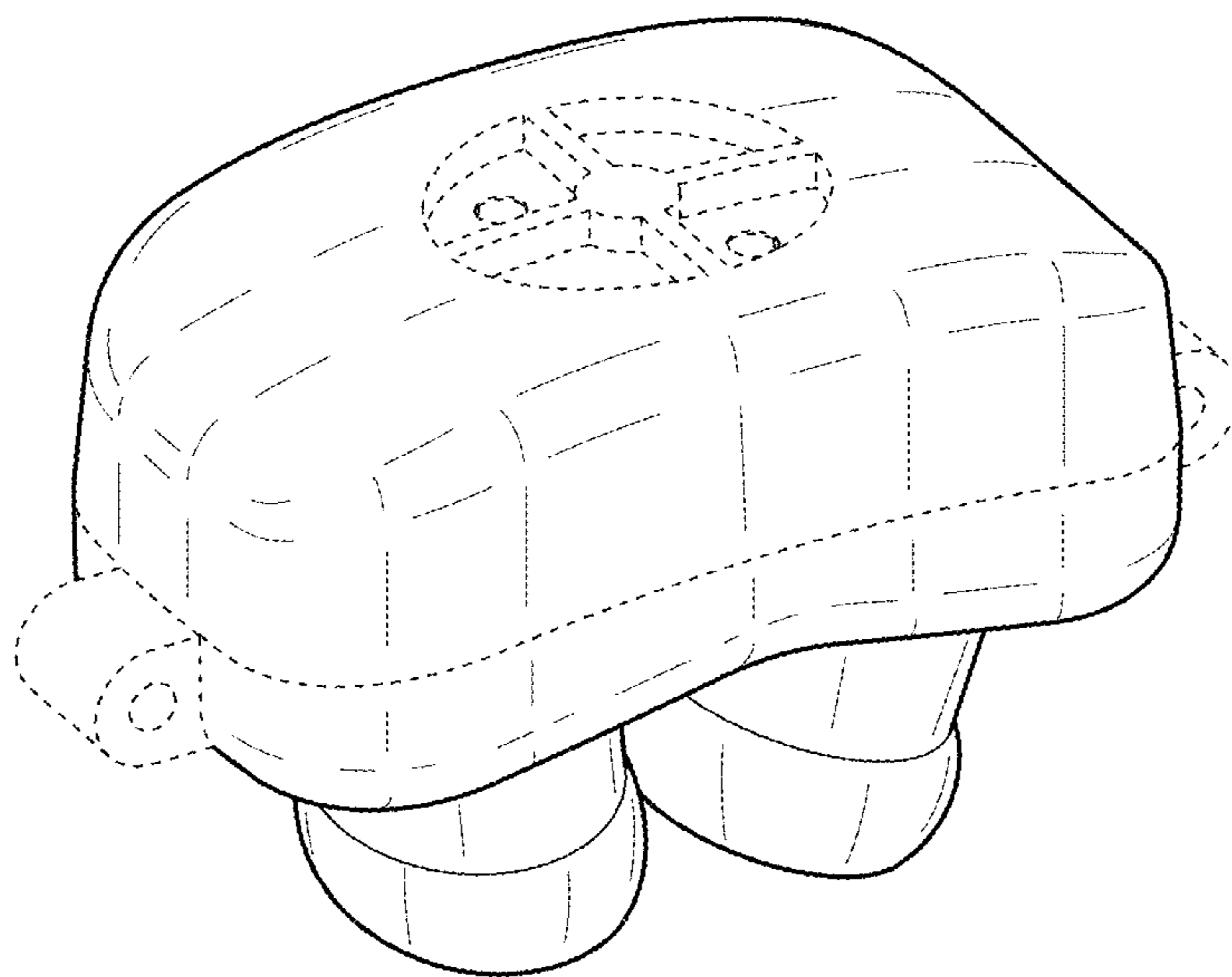


Fig. 2

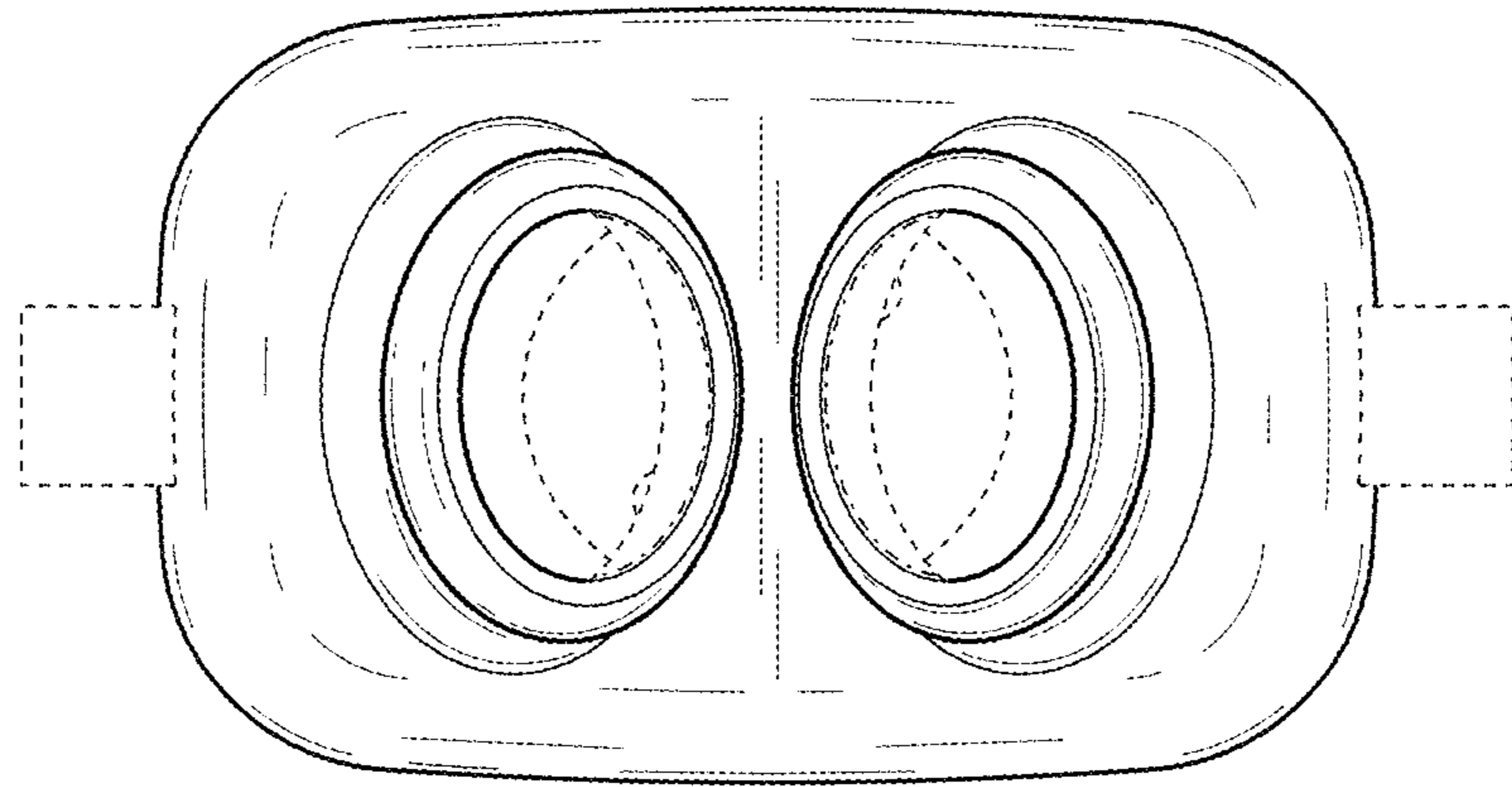


Fig. 3

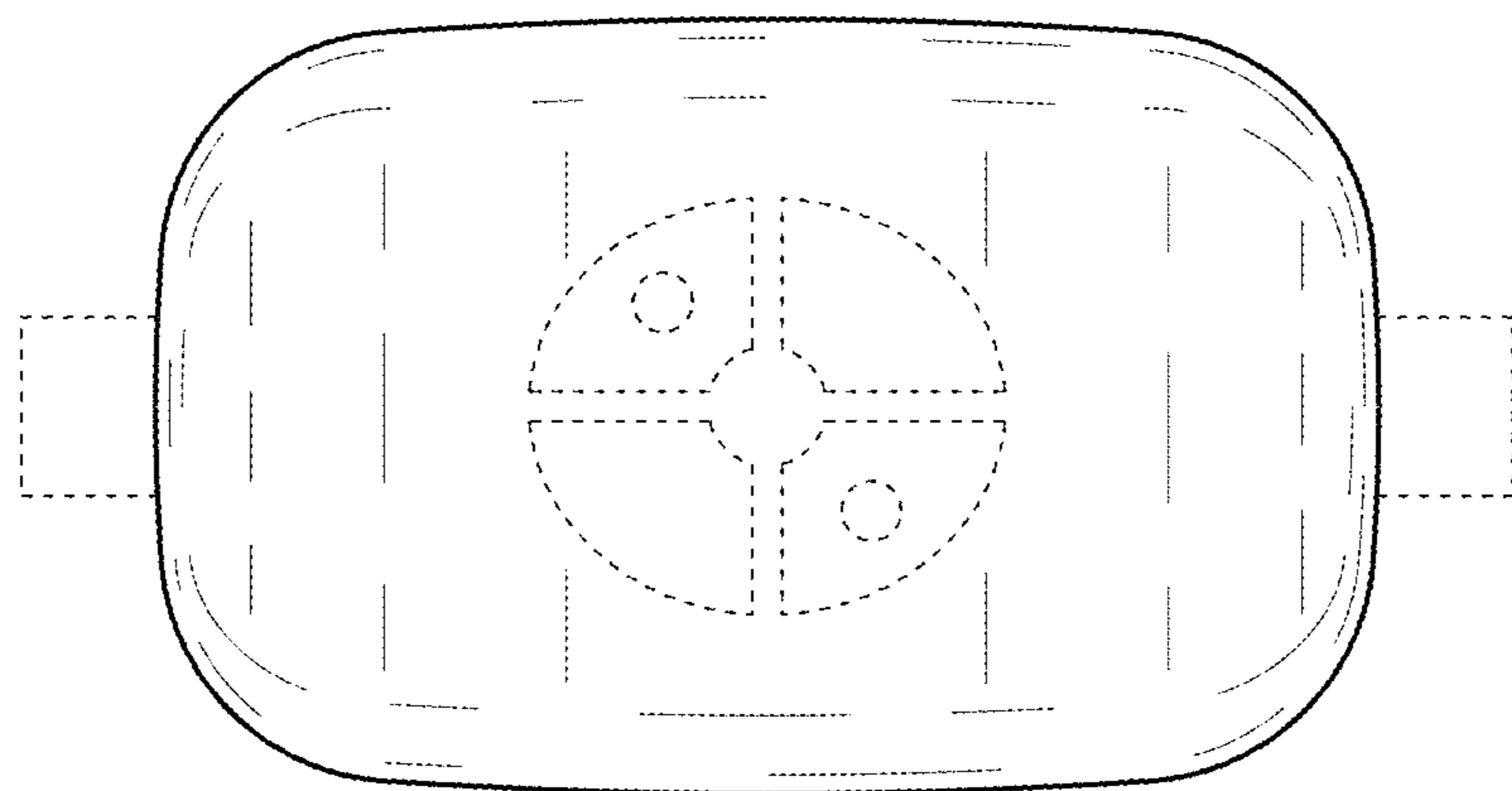


Fig. 4

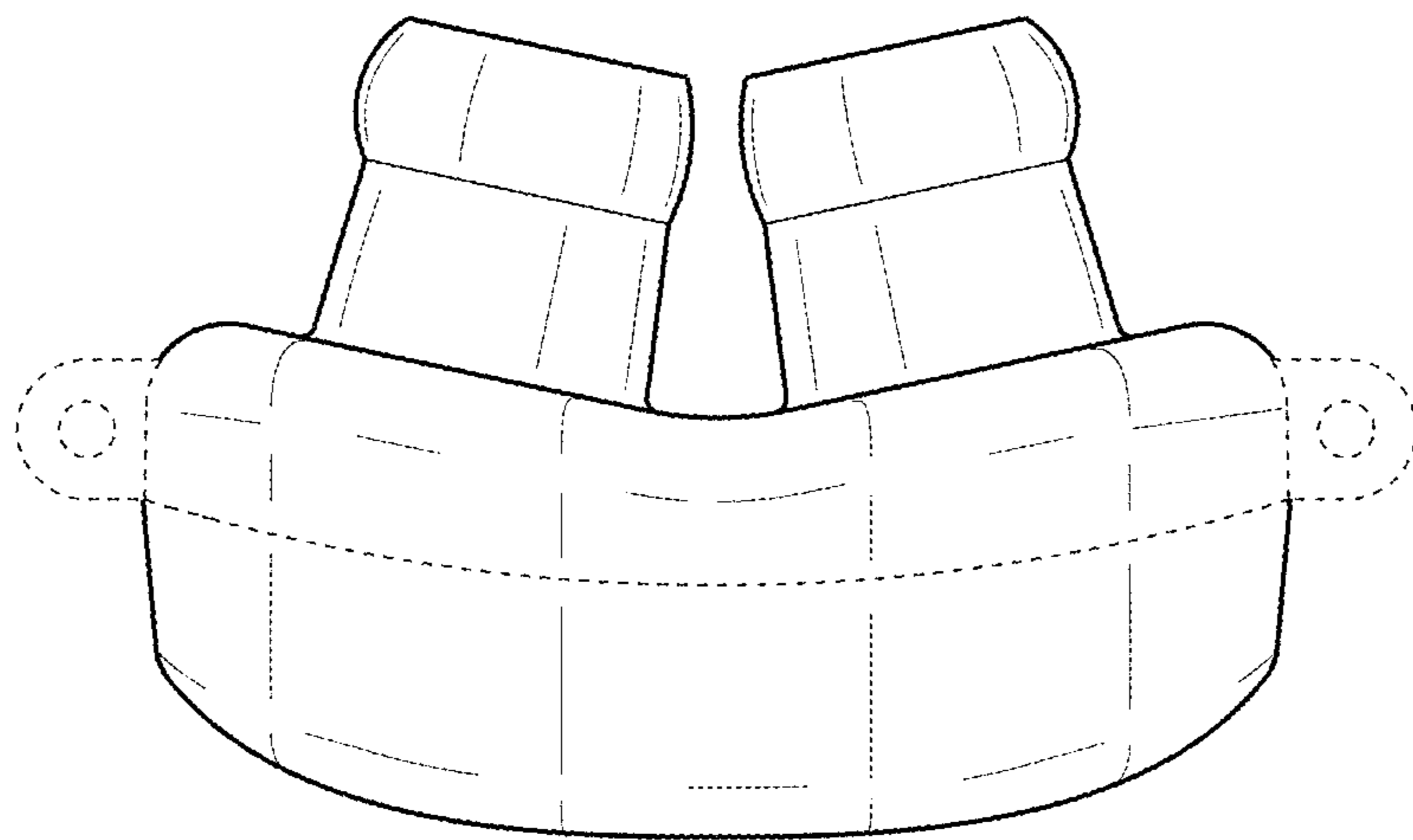


Fig. 5

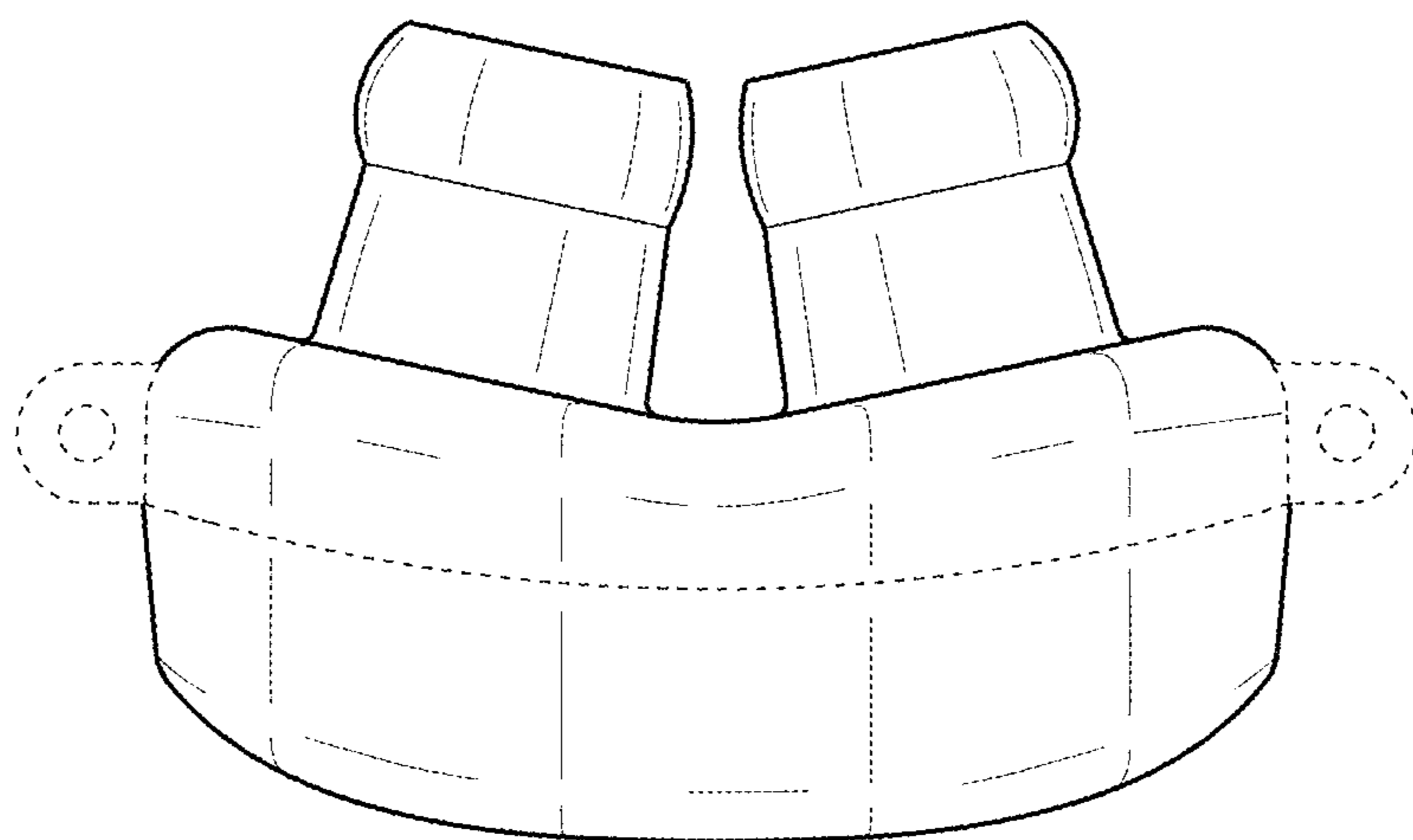


Fig. 6

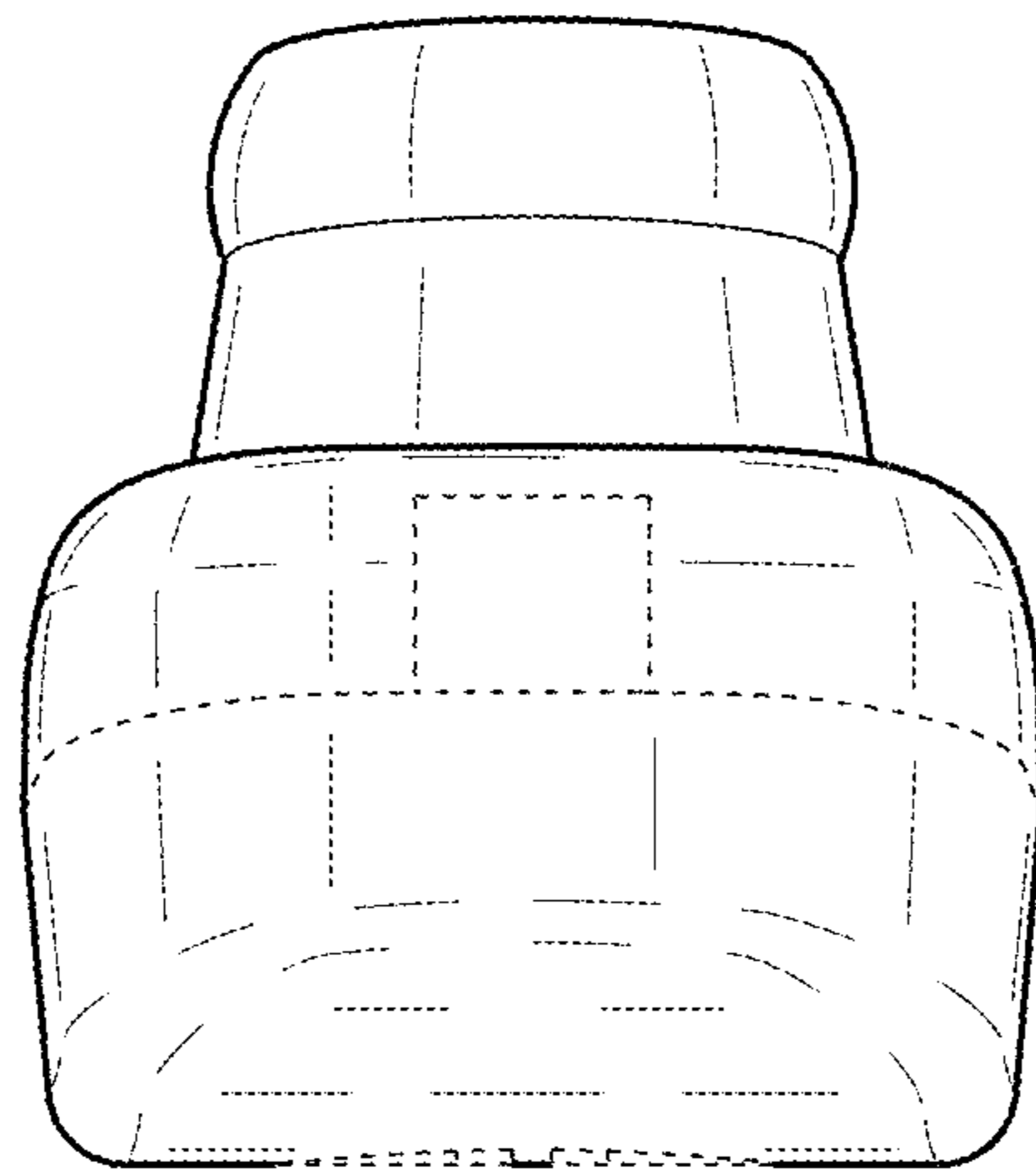


Fig. 7

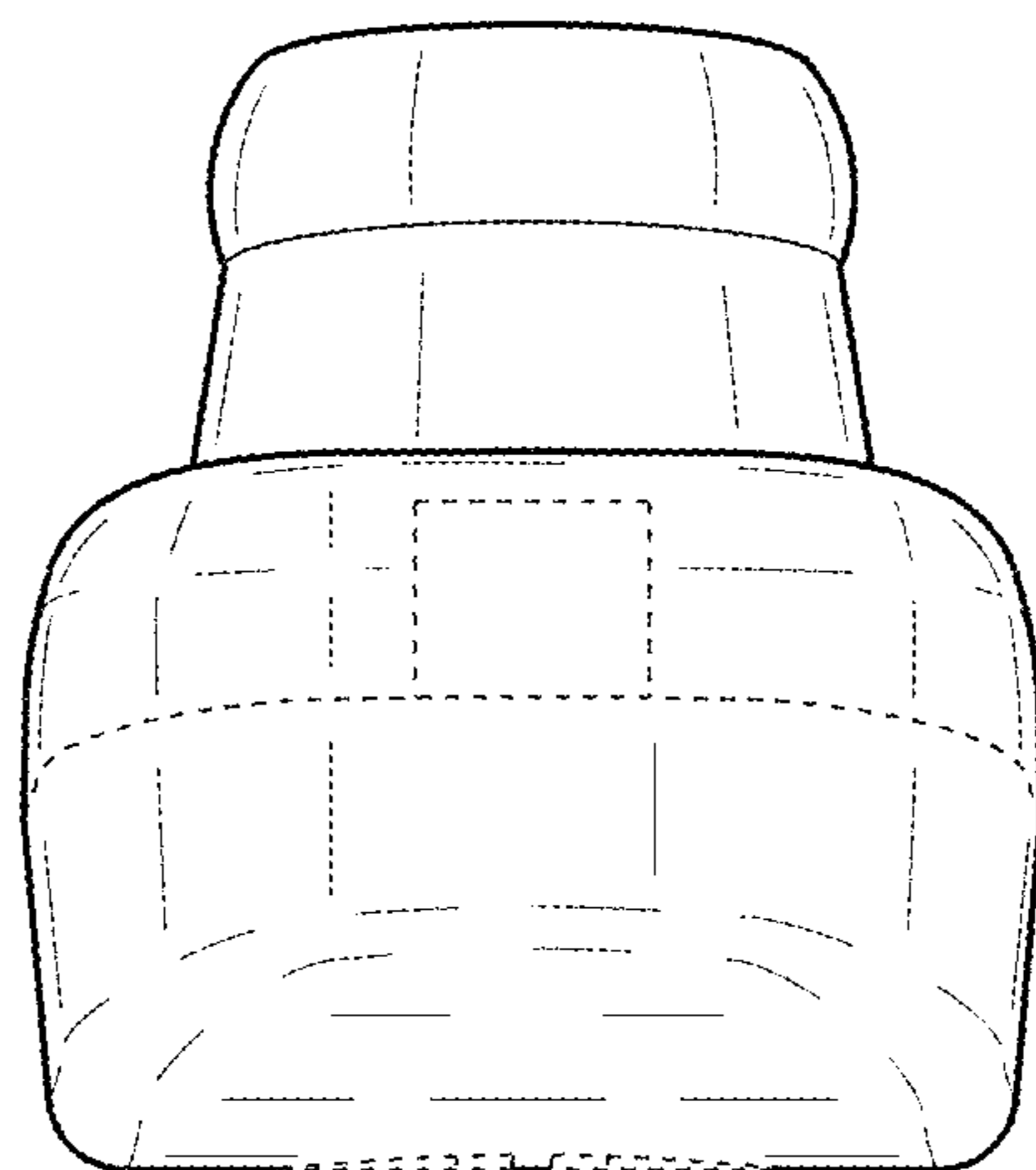


Fig. 8