



US00D859638S

(12) **United States Design Patent** (10) **Patent No.:** **US D859,638 S**  
**Swanbury et al.** (45) **Date of Patent:** **\*\* Sep. 10, 2019**

(54) **NEBULIZATION DEVICE**

(71) Applicant: **VECTURA DELIVERY DEVICES LIMITED**, Chippenham (GB)

(72) Inventors: **Philip John Swanbury**, Chippenham (GB); **Roger William Clarke**, Chippenham (GB); **David Robinson**, Cambridge (GB); **Mitul Lad**, Cambridge (GB); **Matt Garwood**, Cambridge (GB); **Emily Pettitt**, Cambridge (GB)

(73) Assignee: **VECTURA DELIVERY DEVICES LIMITED**, Chippenham (GB)

(\*\*) Term: **15 Years**

(21) Appl. No.: **29/630,809**

(22) Filed: **Dec. 22, 2017**

(51) **LOC (12) Cl.** ..... **29-02**

(52) **U.S. Cl.**  
USPC ..... **D24/110**

(58) **Field of Classification Search**  
USPC ..... D24/107, 108, 110, 110.1-110.5, 127, D24/164; D29/108; 128/200.14, 200.23  
CPC ..... A61M 15/0085; A61M 15/0005; A61M 15/00; A61M 15/0065; A61M 15/0091; A61M 15/0021; A61M 15/0026; A61M 15/008; A61M 15/007; A61M 11/005; A61M 11/00; A61M 11/02; A61M 11/04; A61M 5/087; A61M 5/0871; A61M 5/091; A61M 5/097; A63B 23/18  
See application file for complete search history.

(56) **References Cited**

**U.S. PATENT DOCUMENTS**

D679,800 S \* 4/2013 Gusky ..... D24/110  
D740,930 S \* 10/2015 Pipe ..... D24/108

D759,804 S \* 6/2016 Singh ..... D24/108  
D791,303 S \* 7/2017 Pipe ..... D24/108  
D822,812 S \* 7/2018 Hu ..... D23/356  
2008/0190417 A1\* 8/2008 Abate ..... A61M 11/02  
128/200.14  
2012/0304994 A1\* 12/2012 Kwok ..... A61M 16/0066  
128/204.21

**OTHER PUBLICATIONS**

Criam. Chemical Reaction and Image Analysis for Mobility. [http://www.criamtech.com/] [at least as of Jan. 10, 2017].  
Criam. Chemical Reaction and Image Analysis for Mobility. [http://www.criamtech.com/] [at least as of Apr. 8, 2017].

\* cited by examiner

*Primary Examiner* — Sheryl Lane  
*Assistant Examiner* — Aula Soroush  
(74) *Attorney, Agent, or Firm* — Ryan P. Cox; Matthew S. Gibson; Reed Smith LLP

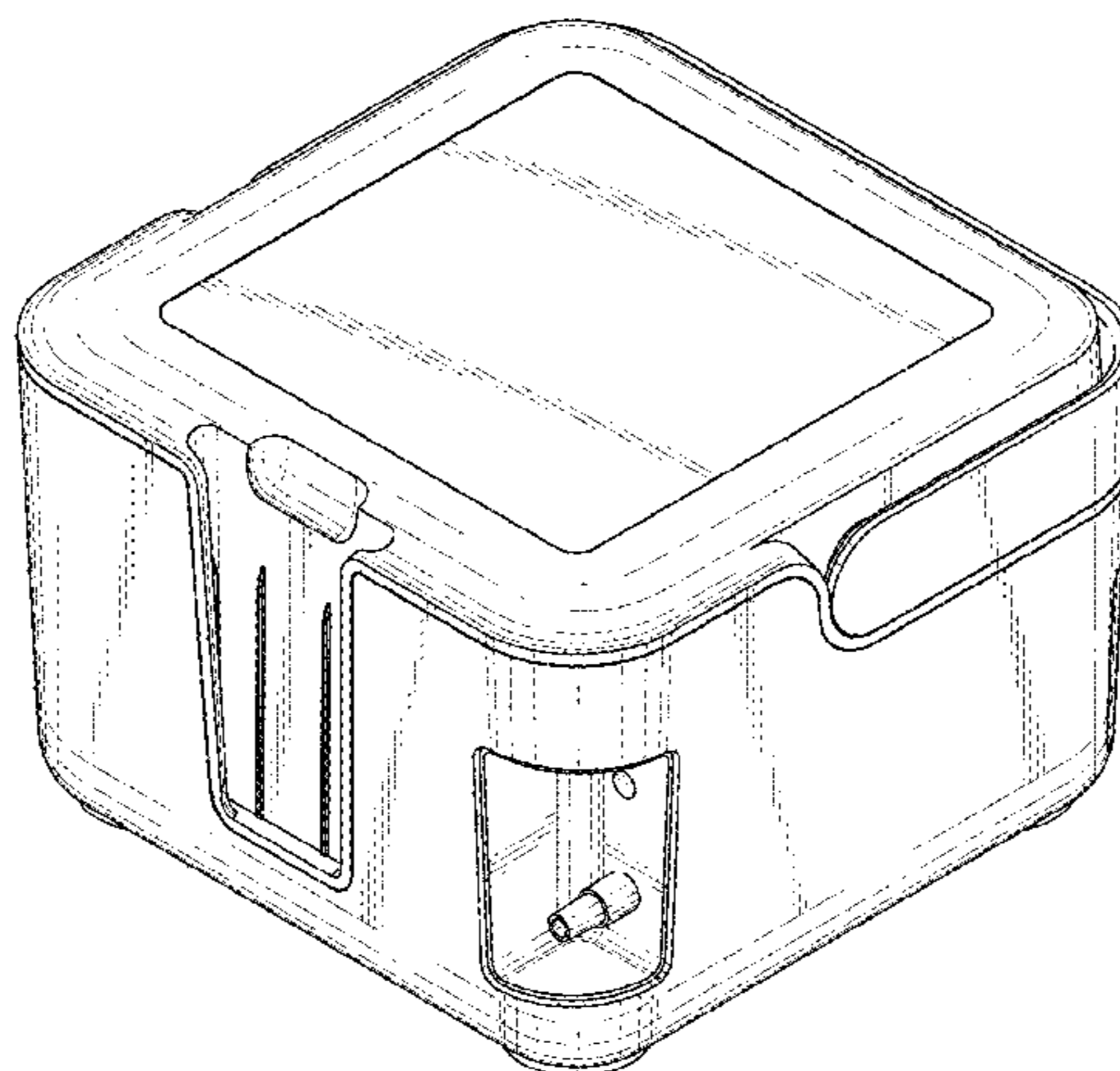
(57) **CLAIM**

The ornamental design for a nebulization device, as shown.

**DESCRIPTION**

FIG. 1 is a perspective view of a nebulization device in accordance with our new design;  
FIG. 2 is a rear perspective view thereof;  
FIG. 3 is a front elevation view thereof;  
FIG. 4 is a rear elevation view thereof;  
FIG. 5 is a left side elevation view thereof;  
FIG. 6 is a right side elevation view thereof;  
FIG. 7 is a top plan view thereof; and,  
FIG. 8 is a bottom plan view thereof.  
The broken lines in the drawings depict portions of the nebulization device that form no part of the claimed design.

**1 Claim, 8 Drawing Sheets**



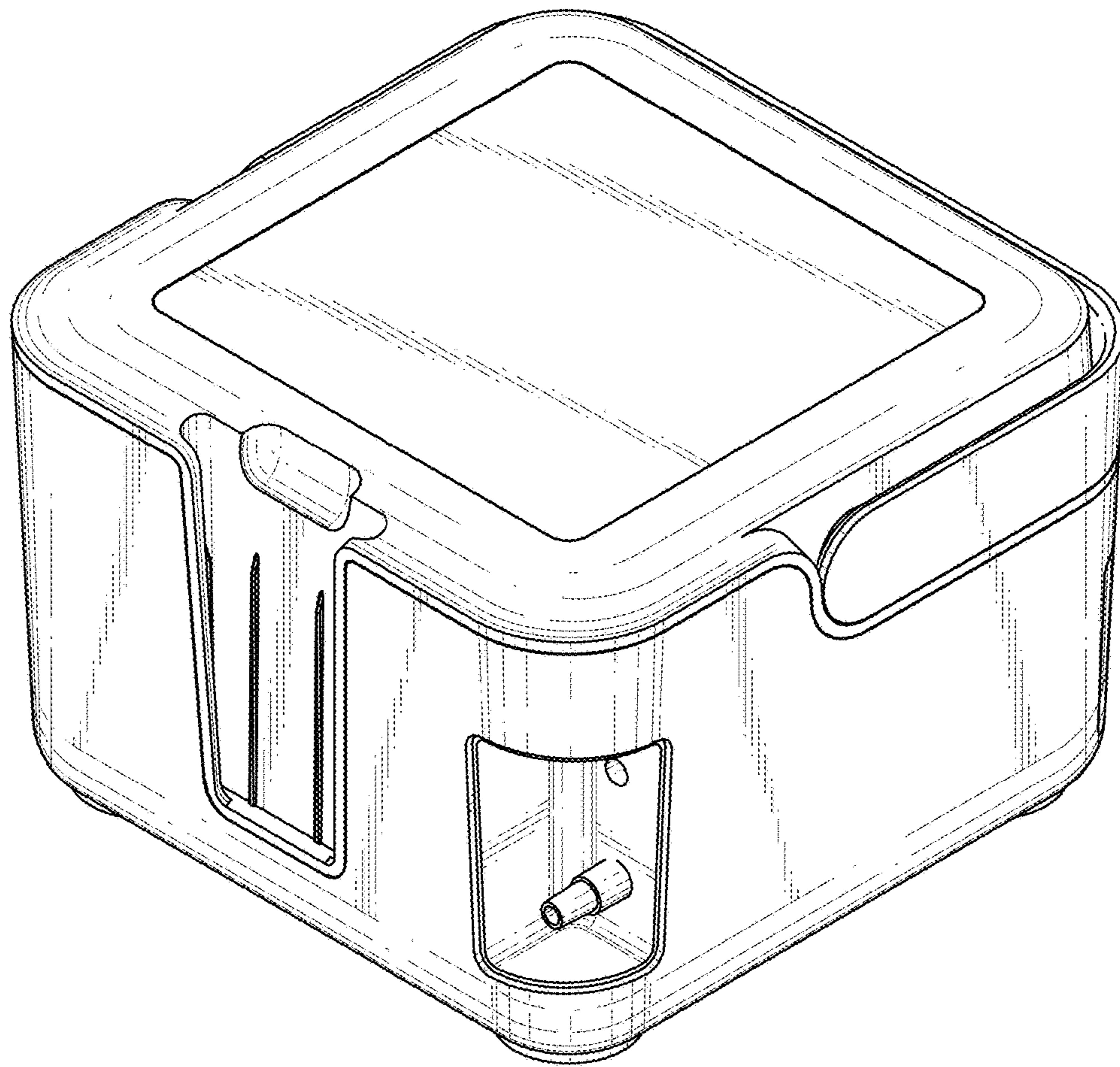


FIG. 1

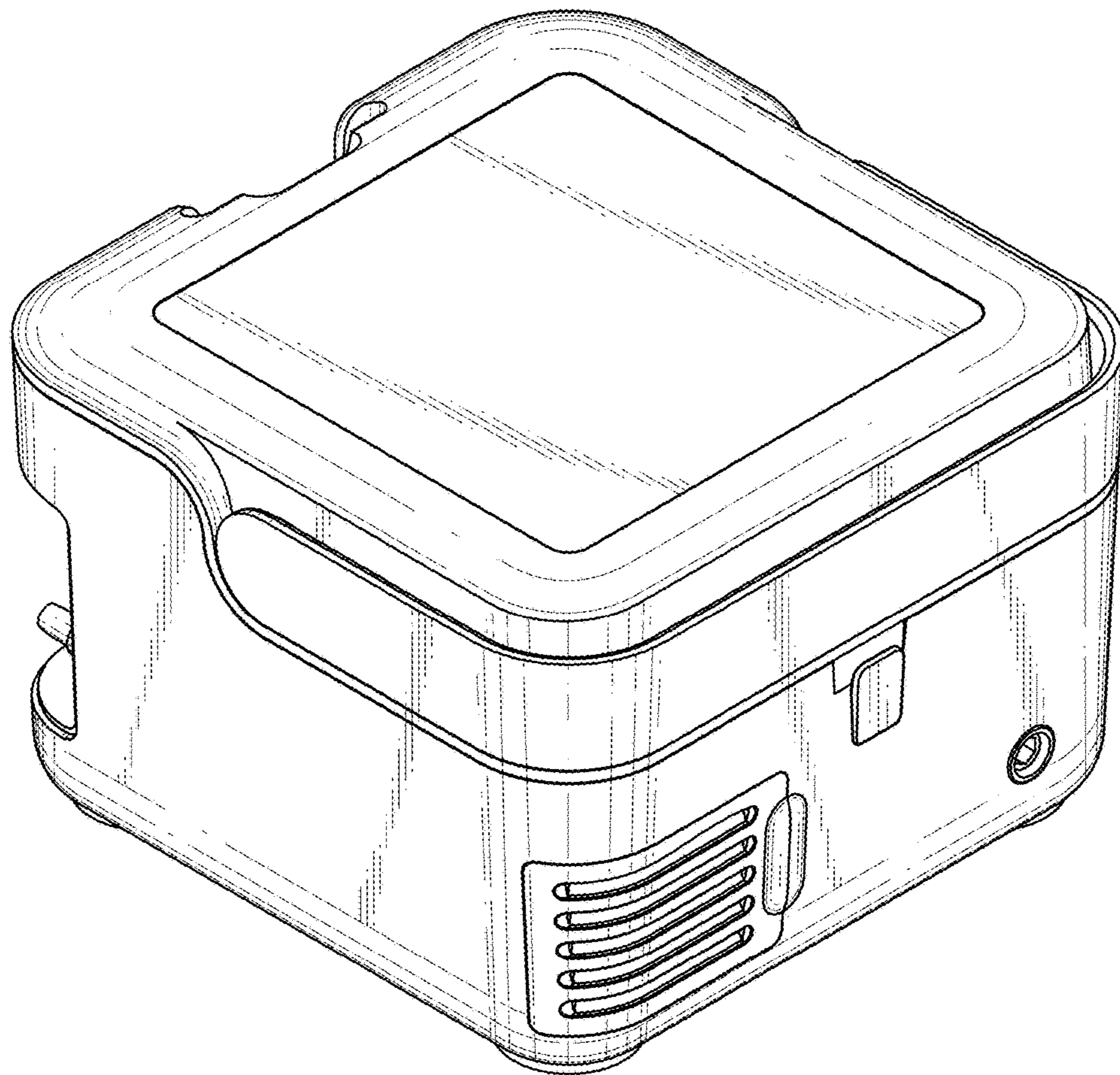


FIG. 2

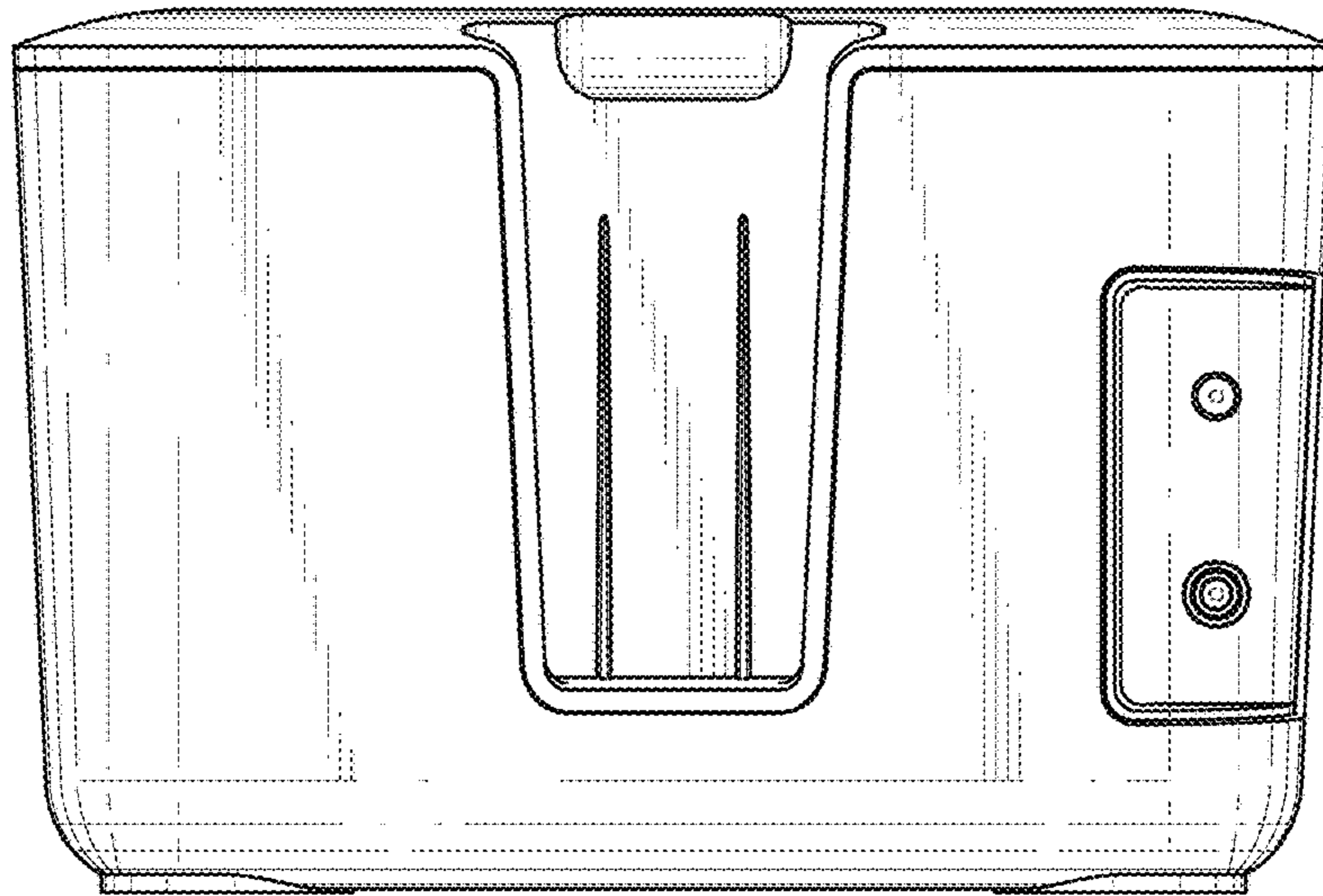


FIG. 3

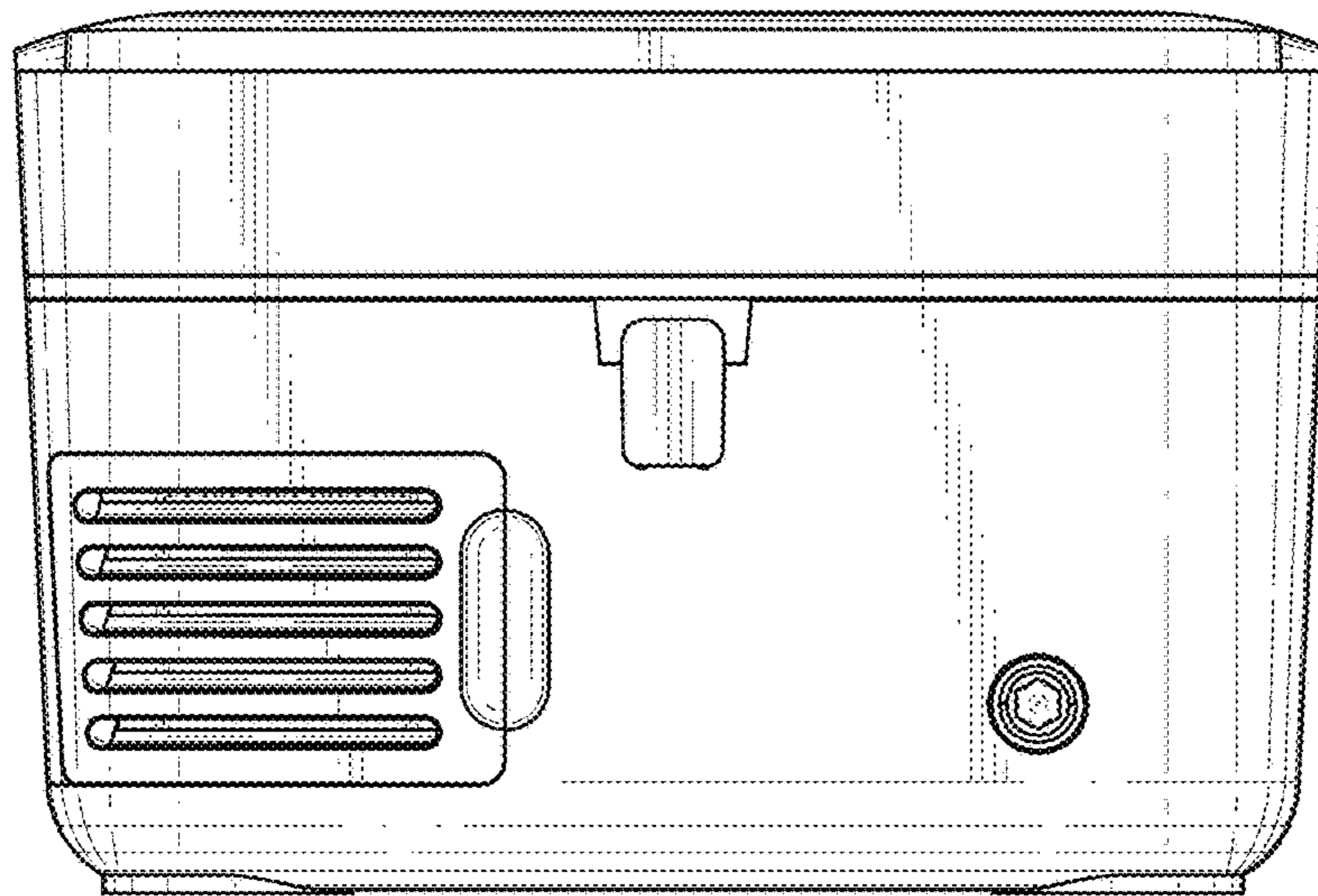


FIG. 4

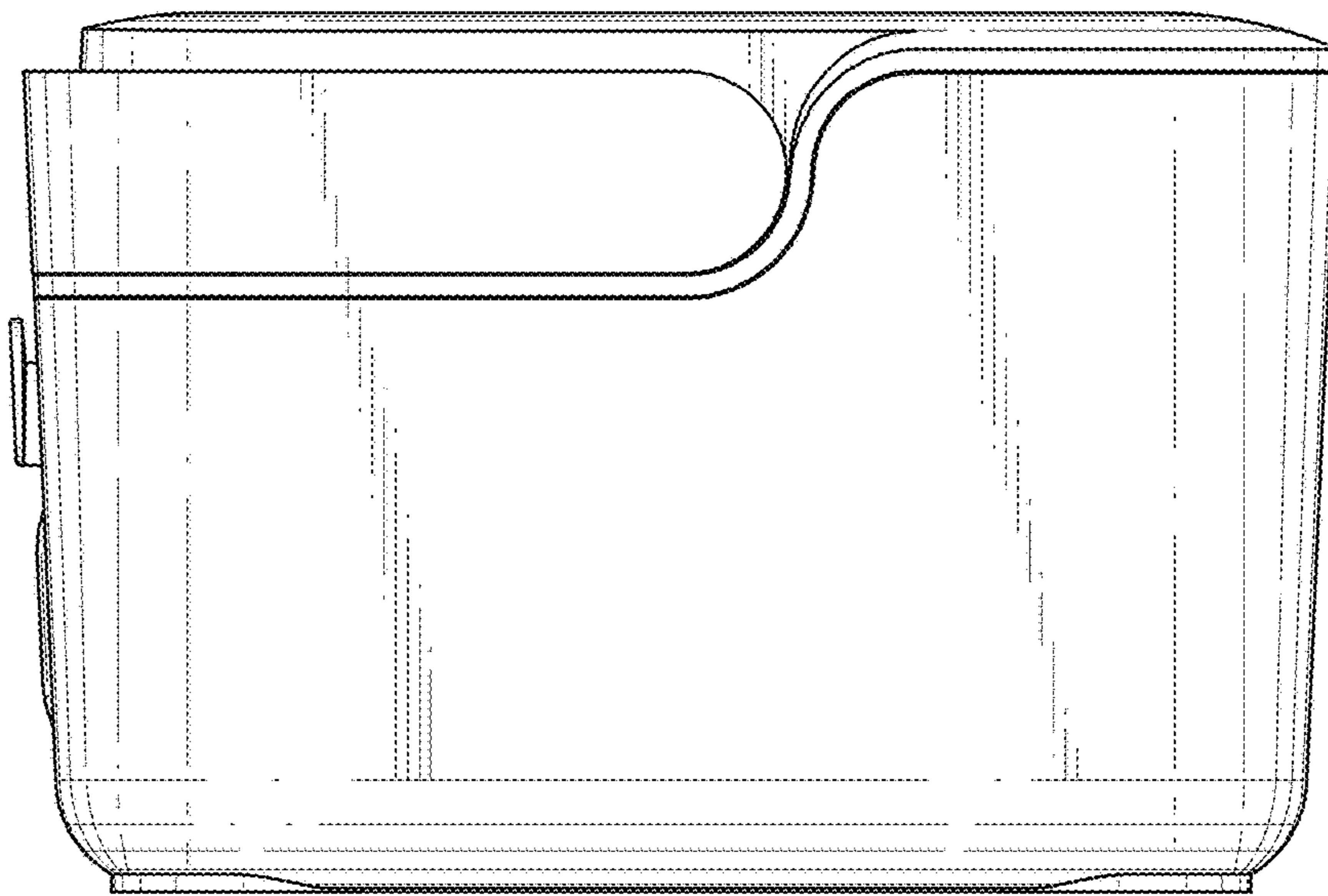


FIG. 5

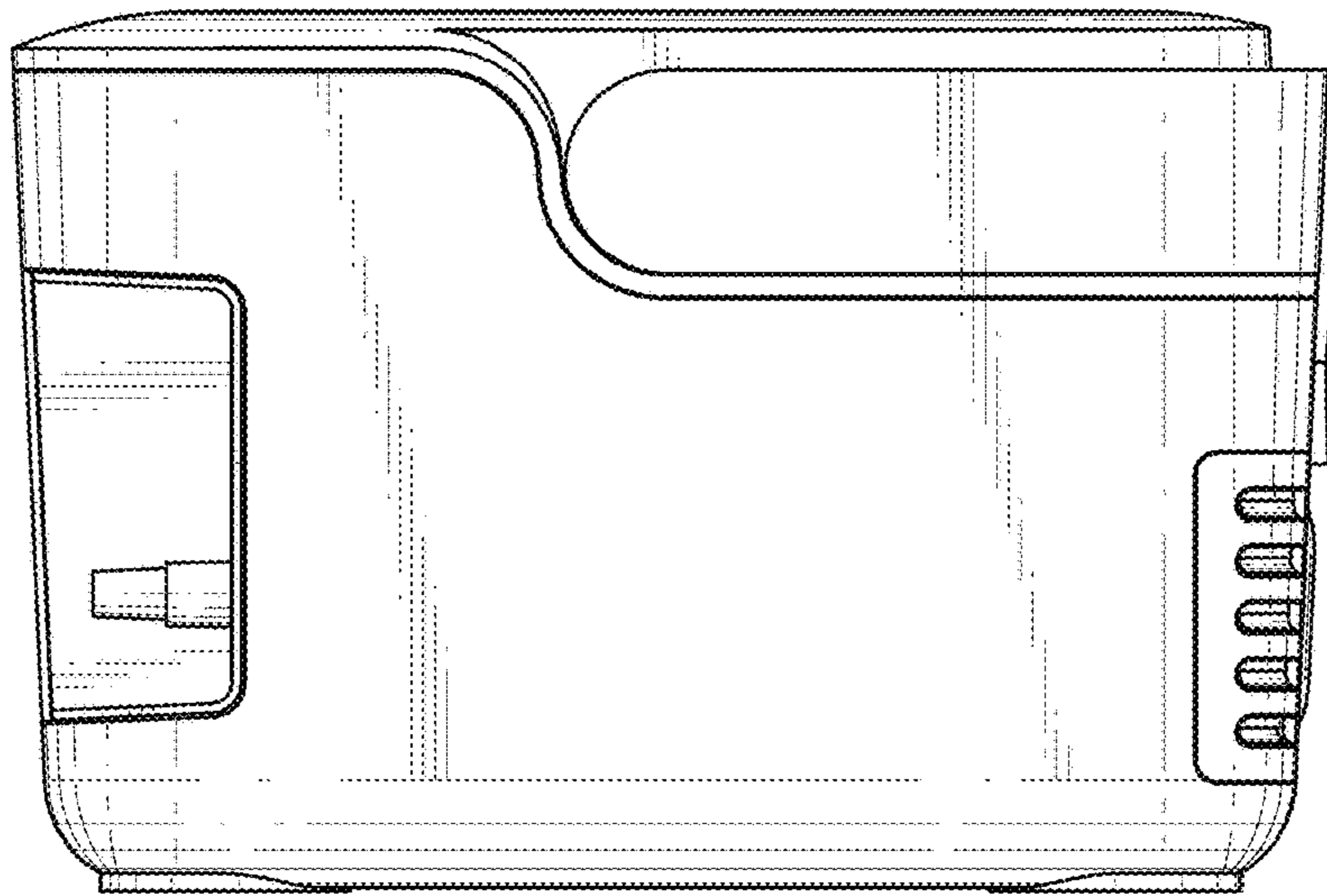


FIG. 6

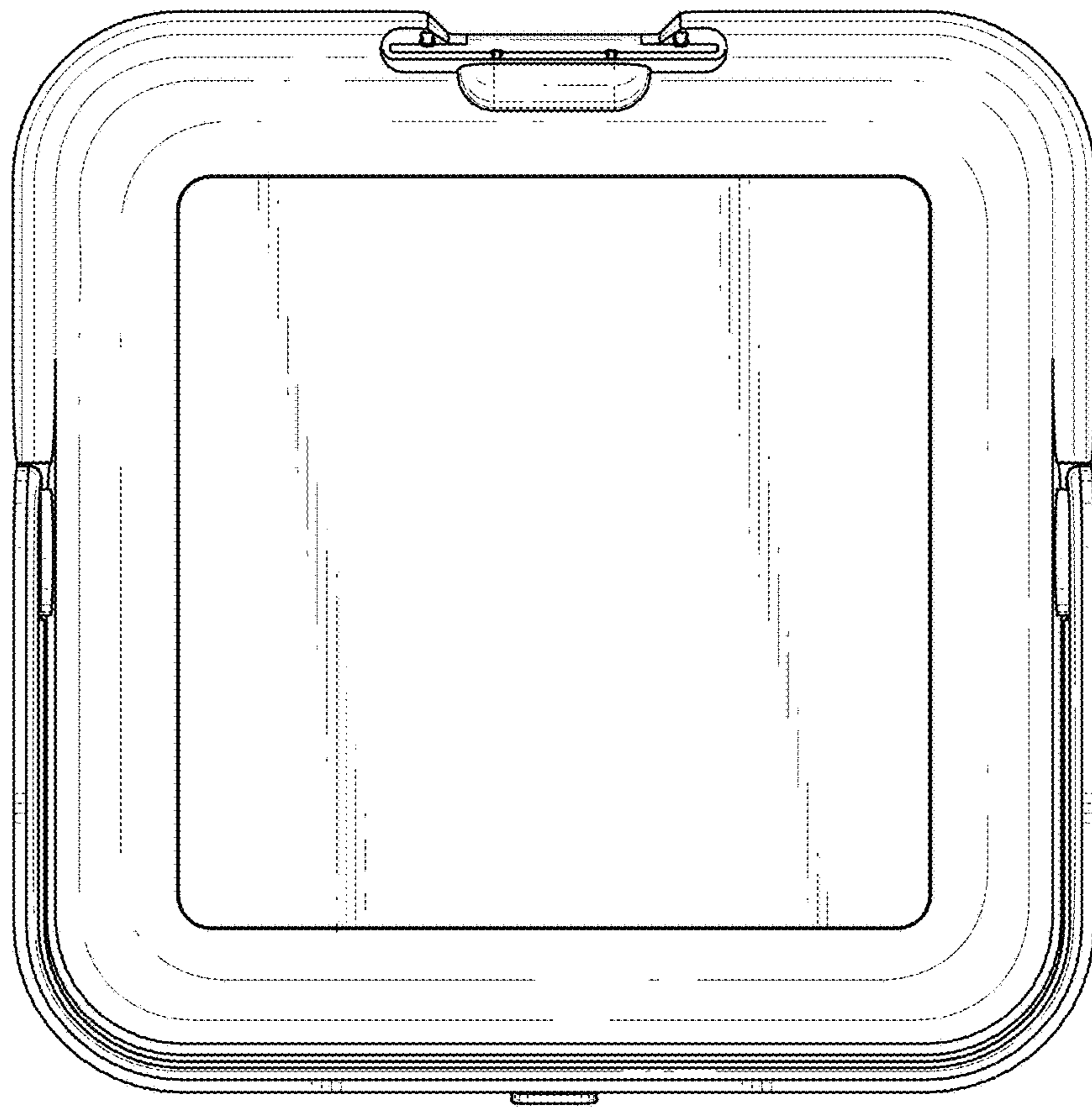


FIG. 7



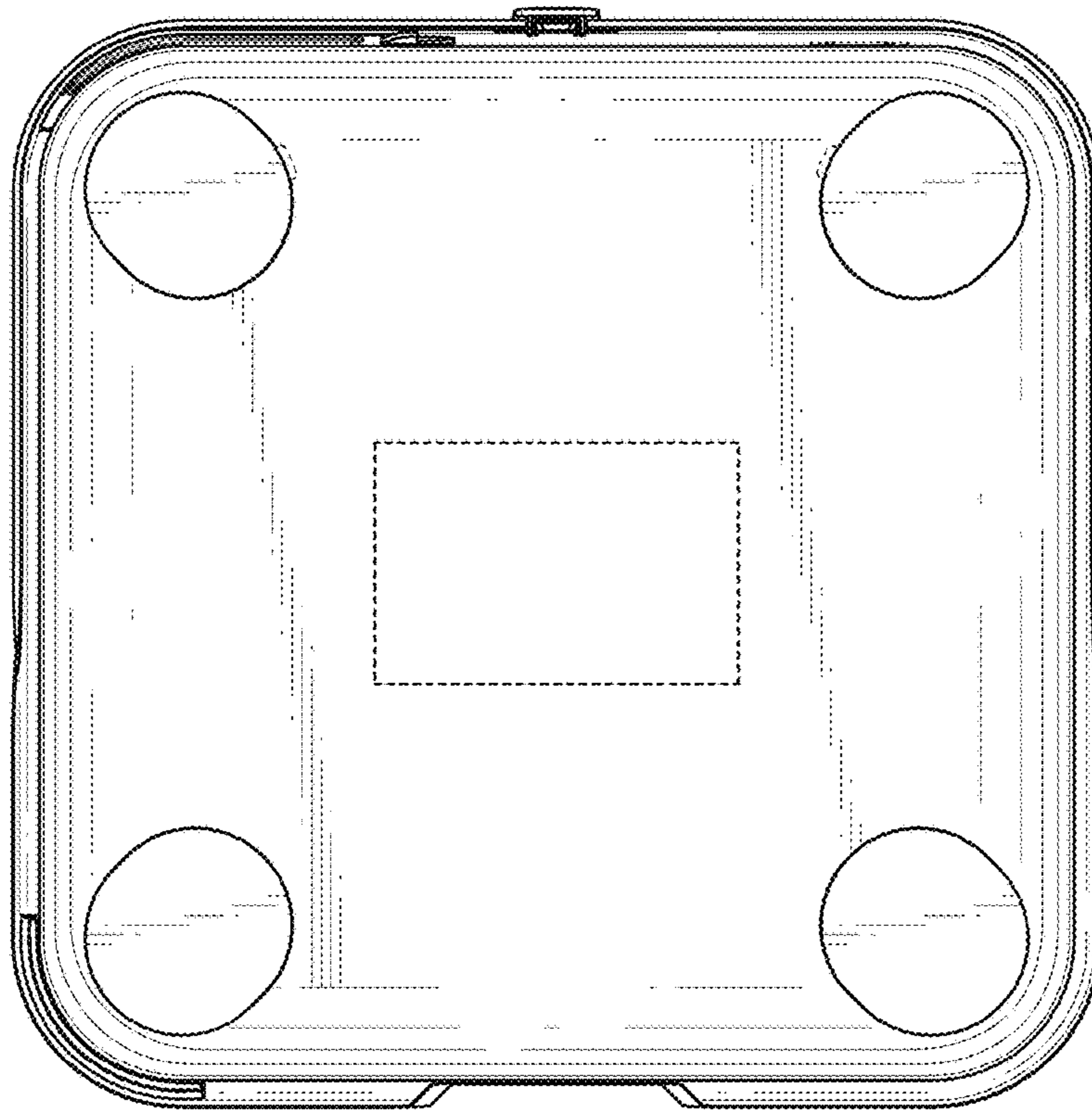


FIG. 8