



US00D859637S

(12) **United States Design Patent** (10) **Patent No.:** **US D859,637 S**
Thompson et al. (45) **Date of Patent:** **** Sep. 10, 2019**

(54) **POWERED AIR PURIFYING RESPIRATOR**
(71) Applicant: **Scott Health & Safety Limited**,
Lancashire (GB)
(72) Inventors: **Darin Kyle Thompson**, Huntersville,
NC (US); **Alyssa Whitney Sabolis**,
Weddington, NC (US); **Jeremy**
Maness, Monroe, NC (US); **Erik John**
Hatinen, Monroe, NC (US); **Jeff Scott**
Vogus, Monroe, NC (US); **Paul**
Francis McGovern, Liverpool (GB);
Graham Peter Wilson, Flintshire (GB)

D710,494 S *	8/2014	Wu	D24/110
D727,511 S *	4/2015	Dehmke	D24/164
D756,519 S *	5/2016	Adams	D24/164
D774,180 S *	12/2016	Wu	D24/110
D808,017 S *	1/2018	Ito	D24/164
D809,129 S *	1/2018	Yang	D24/110
D809,130 S *	1/2018	Yang	D24/110
D810,274 S *	2/2018	Yang	D24/110
2009/0314295 A1 *	12/2009	Hatmaker	A62B 7/10
				128/205.12
2016/0001102 A1 *	1/2016	Huh	A62B 7/10
				128/206.17
2016/0001103 A1 *	1/2016	Huh	A62B 18/02
				128/202.22

* cited by examiner

(73) Assignee: **Scott Health & Safety Limited**,
Skelmersdale, Lancashire (GB)

Primary Examiner — Lilyana Bekic
Assistant Examiner — Aula Soroush

(**) Term: **15 Years**

(74) *Attorney, Agent, or Firm* — Christopher & Weisberg,
P.A.

(21) Appl. No.: **29/582,620**

(57) **CLAIM**

(22) Filed: **Oct. 28, 2016**

The ornamental design for a powered air purifying respira-
tor, as shown and described.

(51) **LOC (12) Cl.** **29-02**

(52) **U.S. Cl.**
USPC **D24/110**

DESCRIPTION

(58) **Field of Classification Search**
USPC D24/107–108, 110–114, 127, 162, 164,
D24/185–186
CPC A62B 18/00; A62B 18/02; A62B 18/025;
A62B 18/10; A62B 18/08; A62B 23/02
See application file for complete search history.

FIG. 1 is front perspective view of the powered air purifying
respirator;
FIG. 2 is a front view thereof;
FIG. 3 is a rear view thereof;
FIG. 4 is a right side view thereof;
FIG. 5 is a left side view thereof;
FIG. 6 is a top view thereof; and,
FIG. 7 is a bottom view thereof.

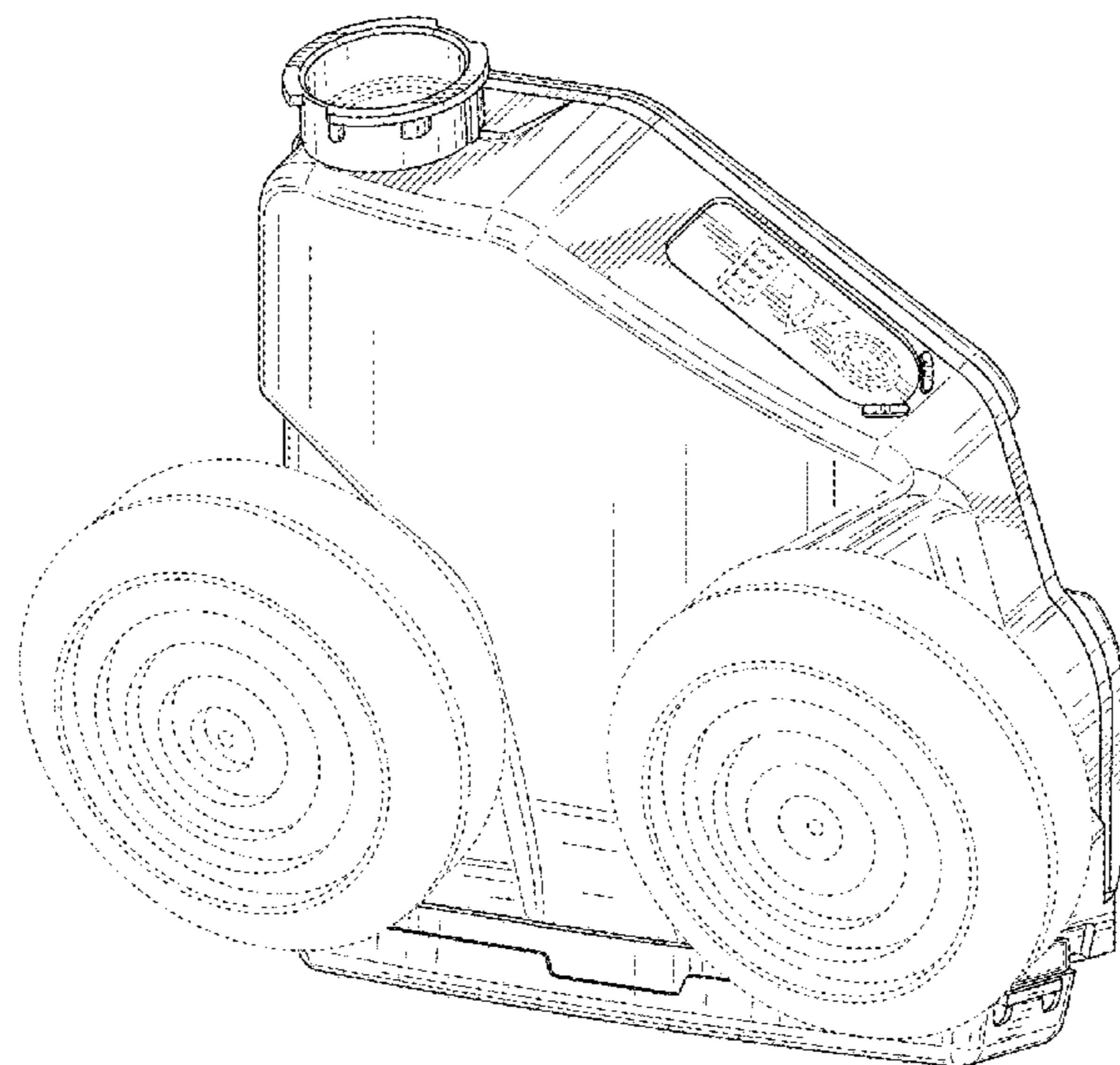
(56) **References Cited**

U.S. PATENT DOCUMENTS

The broken lines in the drawings depict portions of the
powered air purifying respirator that form no part of the
claimed design.

D449,099 S *	10/2001	Juhlin	D23/355
D700,701 S *	3/2014	Taylor	D24/164
D710,493 S *	8/2014	Wu	D24/110

1 Claim, 7 Drawing Sheets



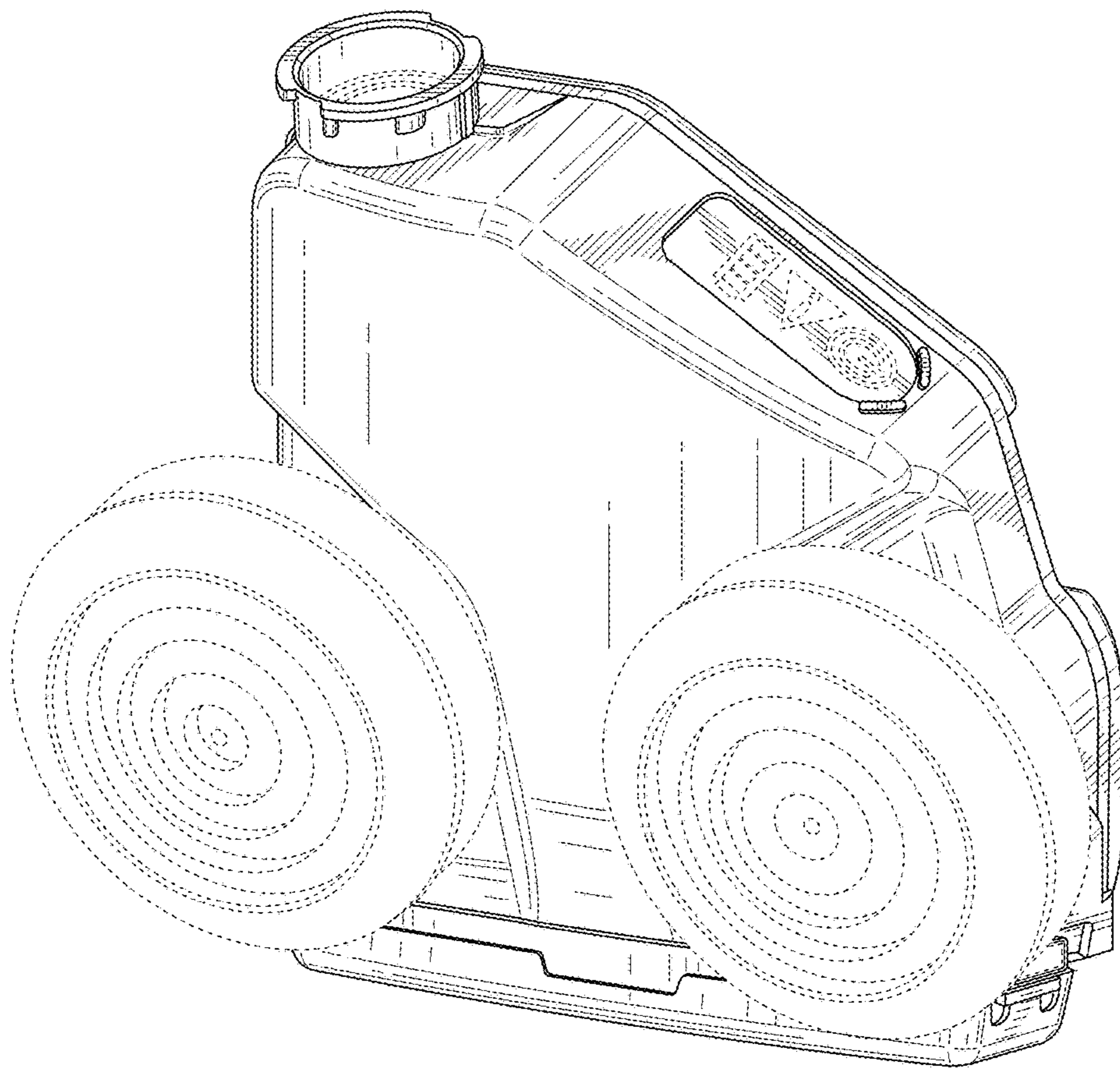


FIG. 1

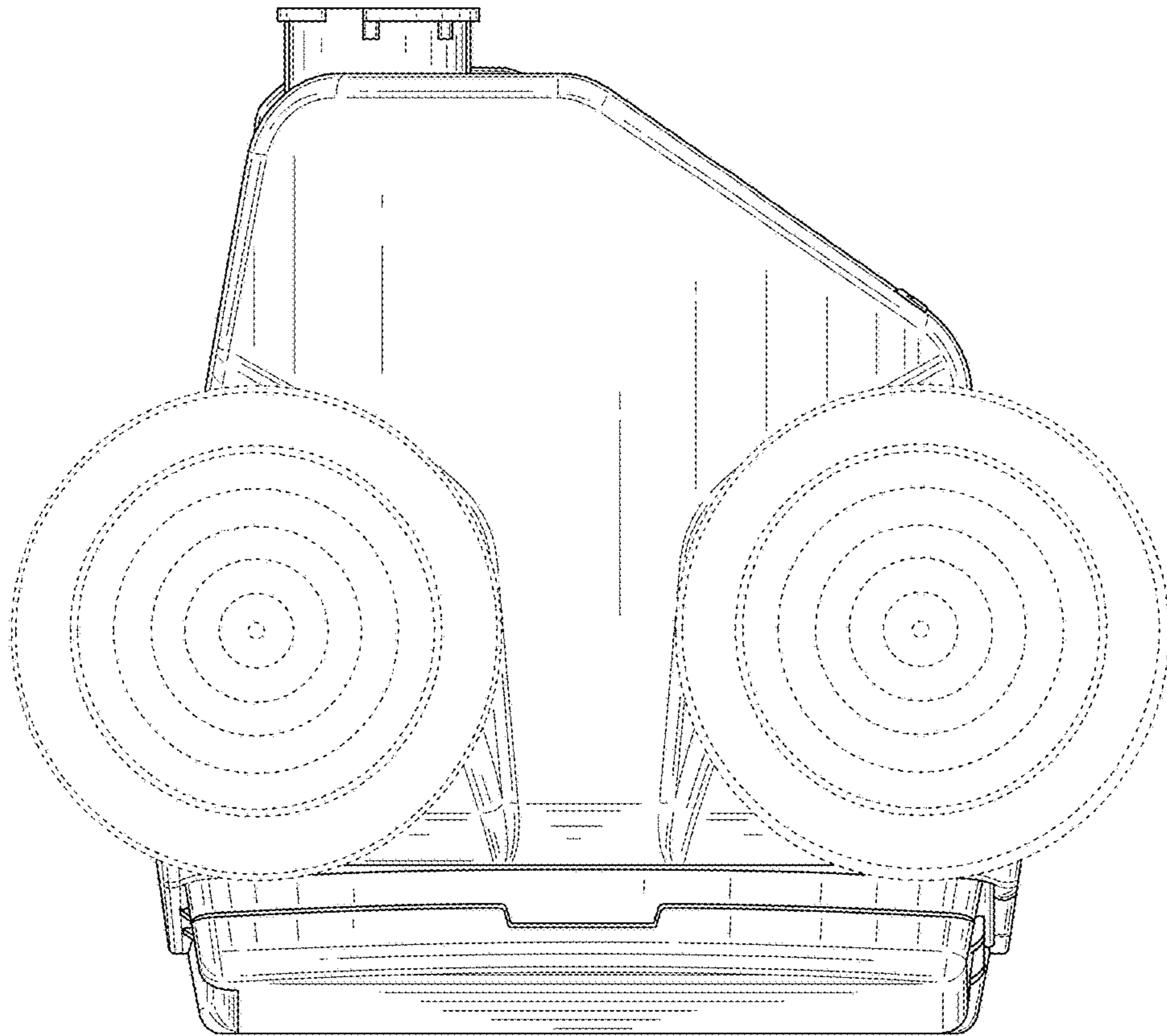


FIG. 2

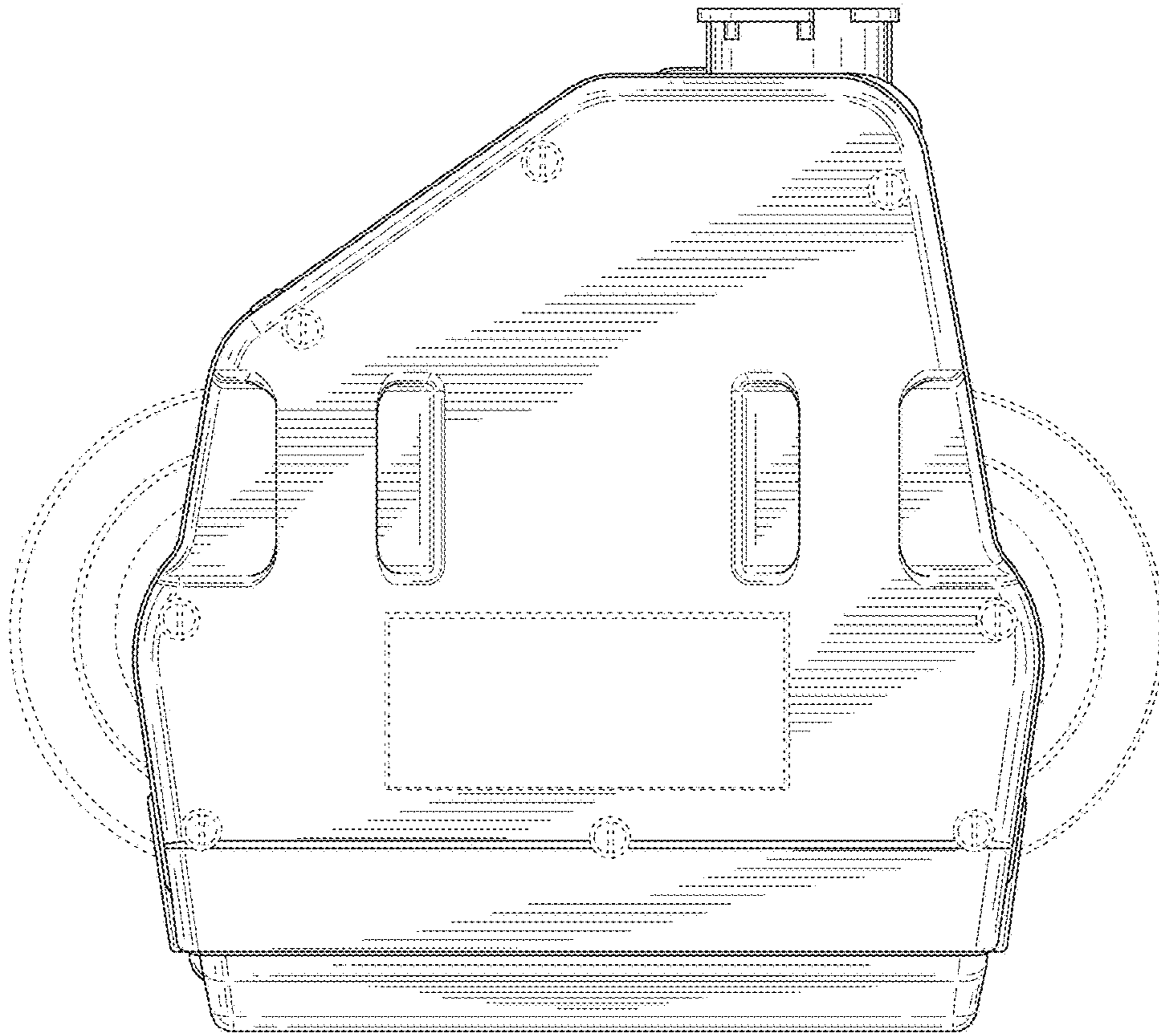


FIG. 3

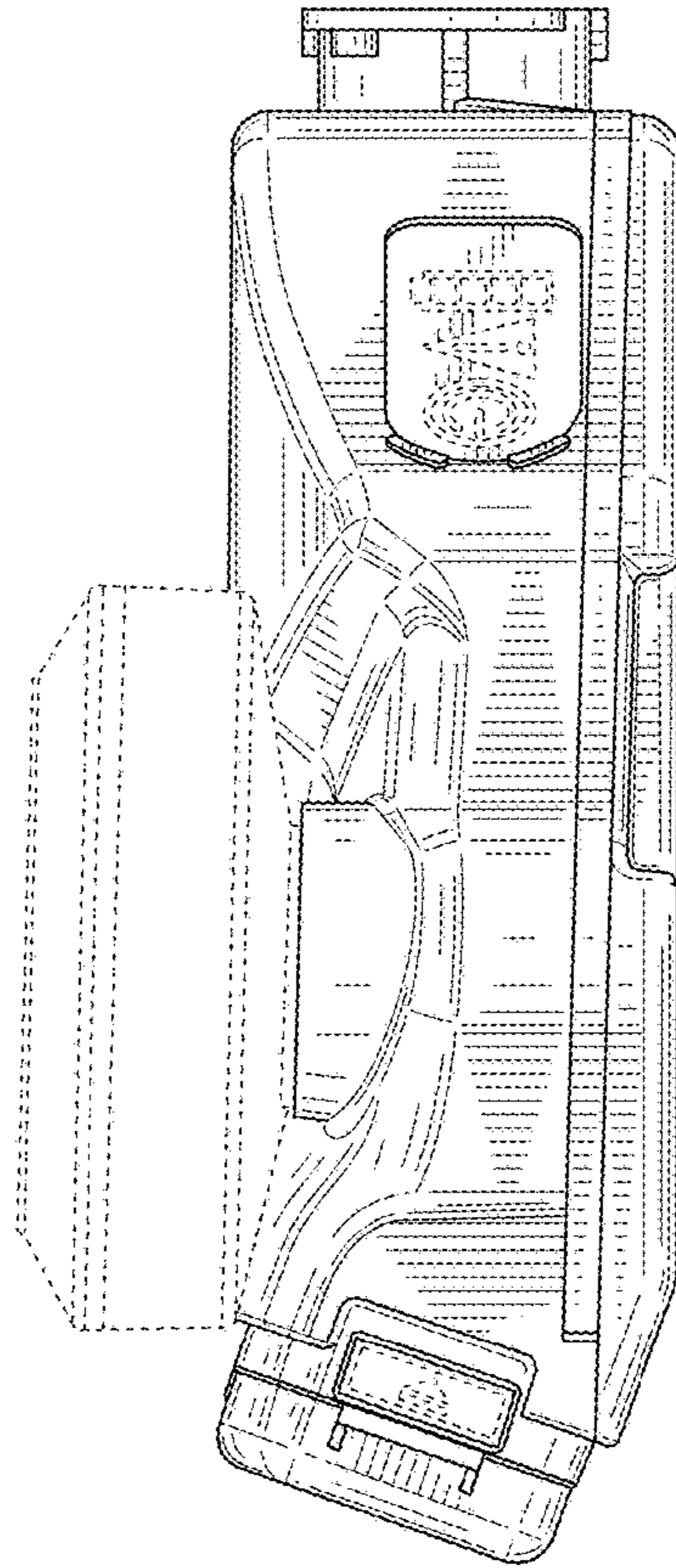


FIG. 4

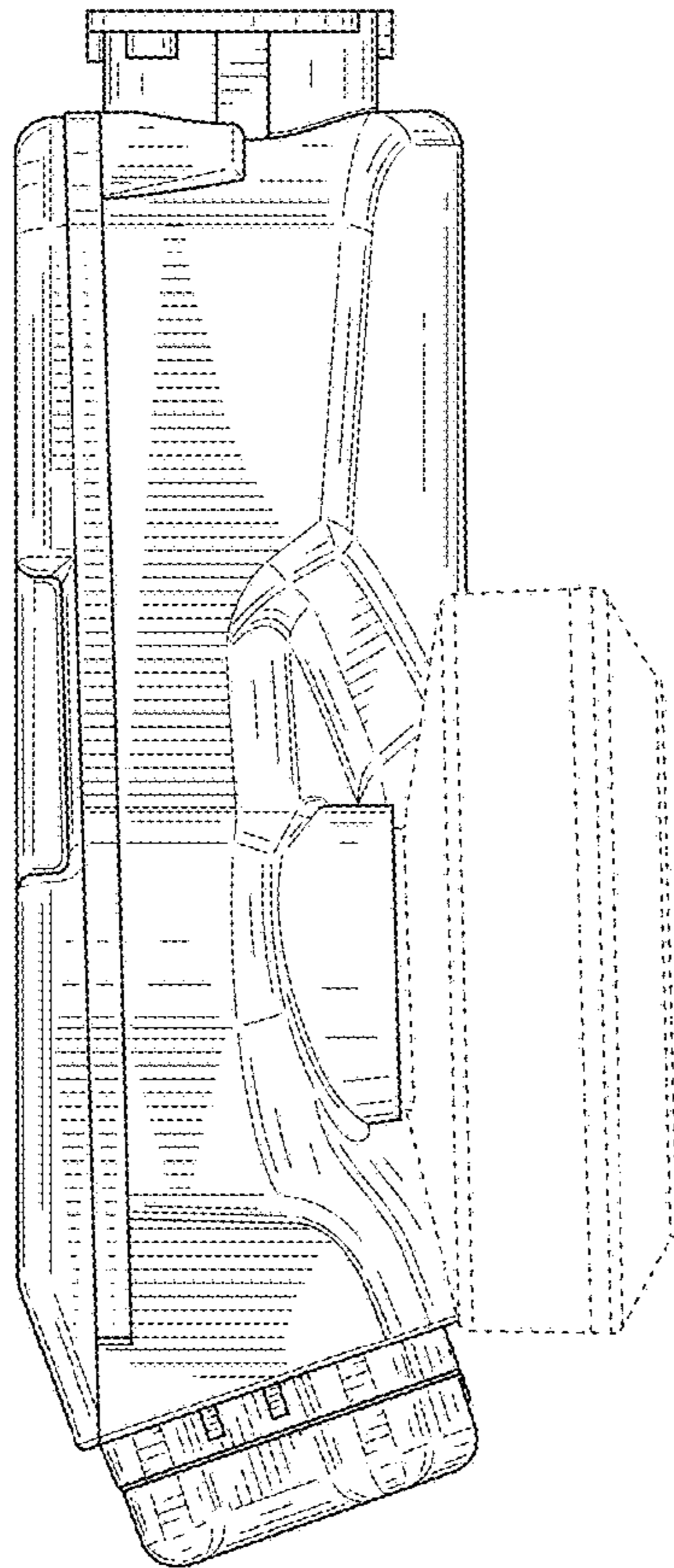


FIG. 5

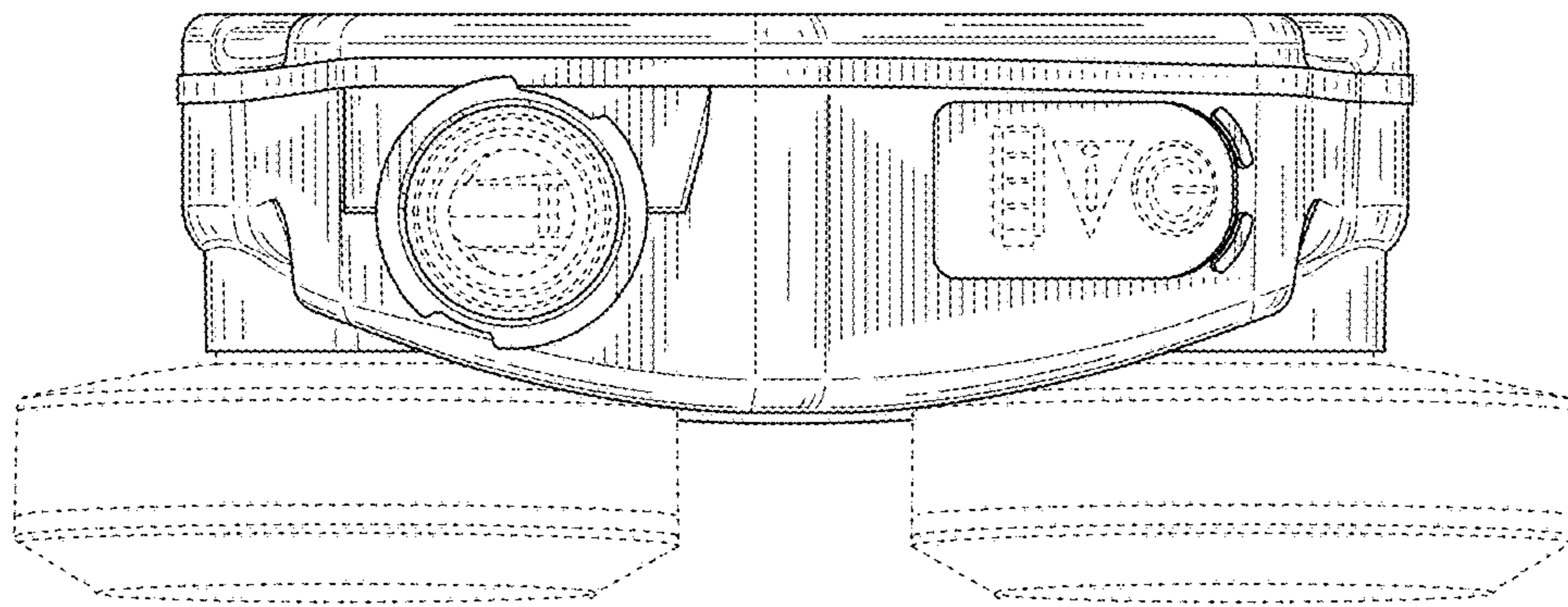


FIG. 6

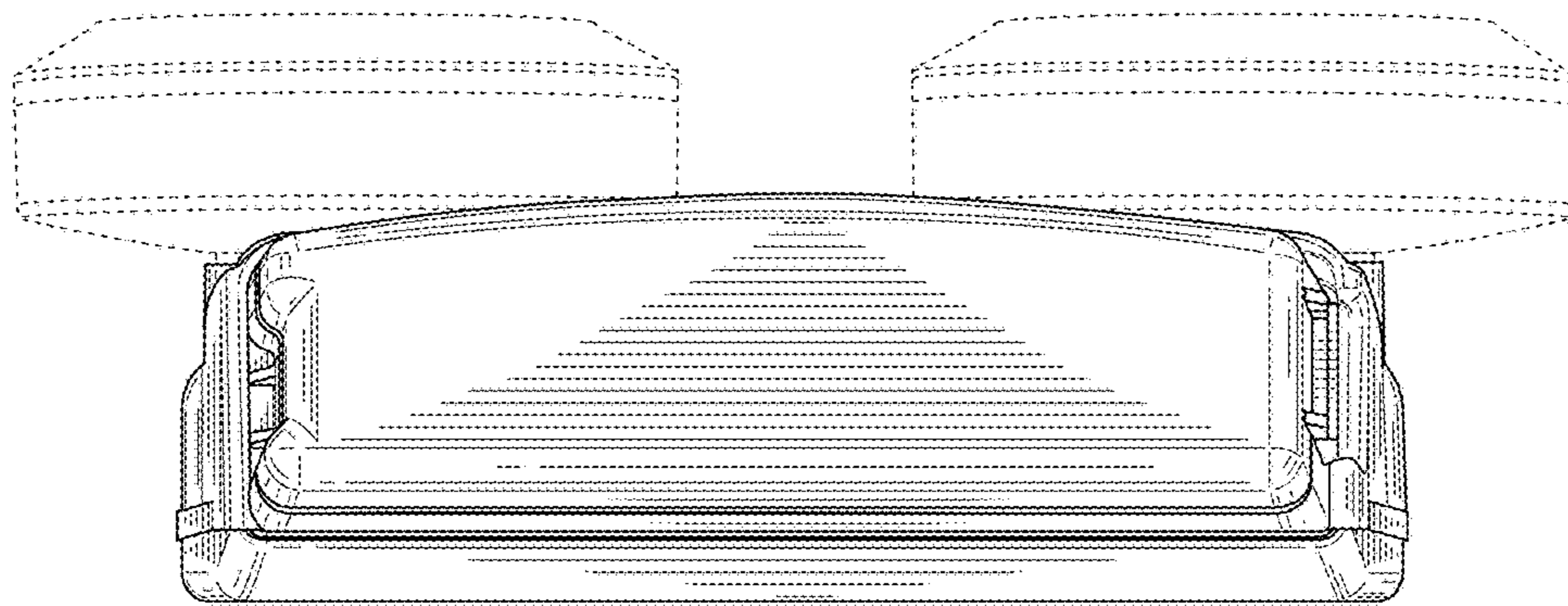


FIG. 7