



US00D859635S

(12) **United States Design Patent**
Teoh

(10) **Patent No.:** **US D859,635 S**

(45) **Date of Patent:** **** Sep. 10, 2019**

(54) **OBSTETRICAL VACUUM APPARATUS**

(71) Applicant: **JCT Solutions Pty Ltd**, Dalkeith (AU)

(72) Inventor: **Pek Joo Teoh**, Dalkeith (AU)

(73) Assignee: **JCT Solutions Pty Ltd**, Dalkeith (AU)

(**) Term: **15 Years**

(21) Appl. No.: **29/643,683**

(22) Filed: **Apr. 10, 2018**

(30) **Foreign Application Priority Data**

Oct. 13, 2017 (AU) 201716244

(51) **LOC (12) Cl.** **24-01**

(52) **U.S. Cl.**

USPC **D24/108**; D24/133

(58) **Field of Classification Search**

USPC D24/107-108, 133, 141

CPC A61B 17/44; A61B 17/445; A61B 17/447;

A61B 17/442; A61B 2017/308

See application file for complete search history.

(56) **References Cited**

U.S. PATENT DOCUMENTS

D30,951 S *	6/1899	Saint Cyr, Jr.	D24/133
3,202,152 A *	8/1965	Wood	A61B 17/442
			604/73
3,263,683 A *	8/1966	Uddenberg	A61M 1/08
			604/317
5,019,086 A *	5/1991	Neward	A61B 17/442
			606/123
D320,855 S *	10/1991	Smith	D24/133
5,163,944 A *	11/1992	Neward	A61B 17/442
			604/74
5,713,909 A *	2/1998	Lindsay	A61B 17/442
			604/149

5,935,136 A *	8/1999	Hulse	A61B 17/442
			606/119
6,074,399 A *	6/2000	Wallace	A61B 17/442
			606/122
6,179,845 B1 *	1/2001	Peters	A61B 17/442
			604/74
6,355,047 B1 *	3/2002	Wallace	A61B 17/442
			606/122
6,361,542 B1 *	3/2002	Dimitriu	A61B 17/442
			606/119
D502,259 S *	2/2005	Hallen	D24/108
7,476,231 B2 *	1/2009	Ross	A61B 17/442
			606/123
D639,941 S *	6/2011	Porat	D24/133
2004/0111098 A1 *	6/2004	Hallen	A61B 17/442
			606/123
2004/0138645 A1 *	7/2004	Lonky	A61B 17/00234
			604/540
2005/0203334 A1 *	9/2005	Lonky	A61B 17/00234
			600/37
2006/0161175 A1 *	7/2006	Ross	A61B 17/442
			606/123

(Continued)

Primary Examiner — Lilyana Bekic

(74) *Attorney, Agent, or Firm* — Winstead PC

(57)

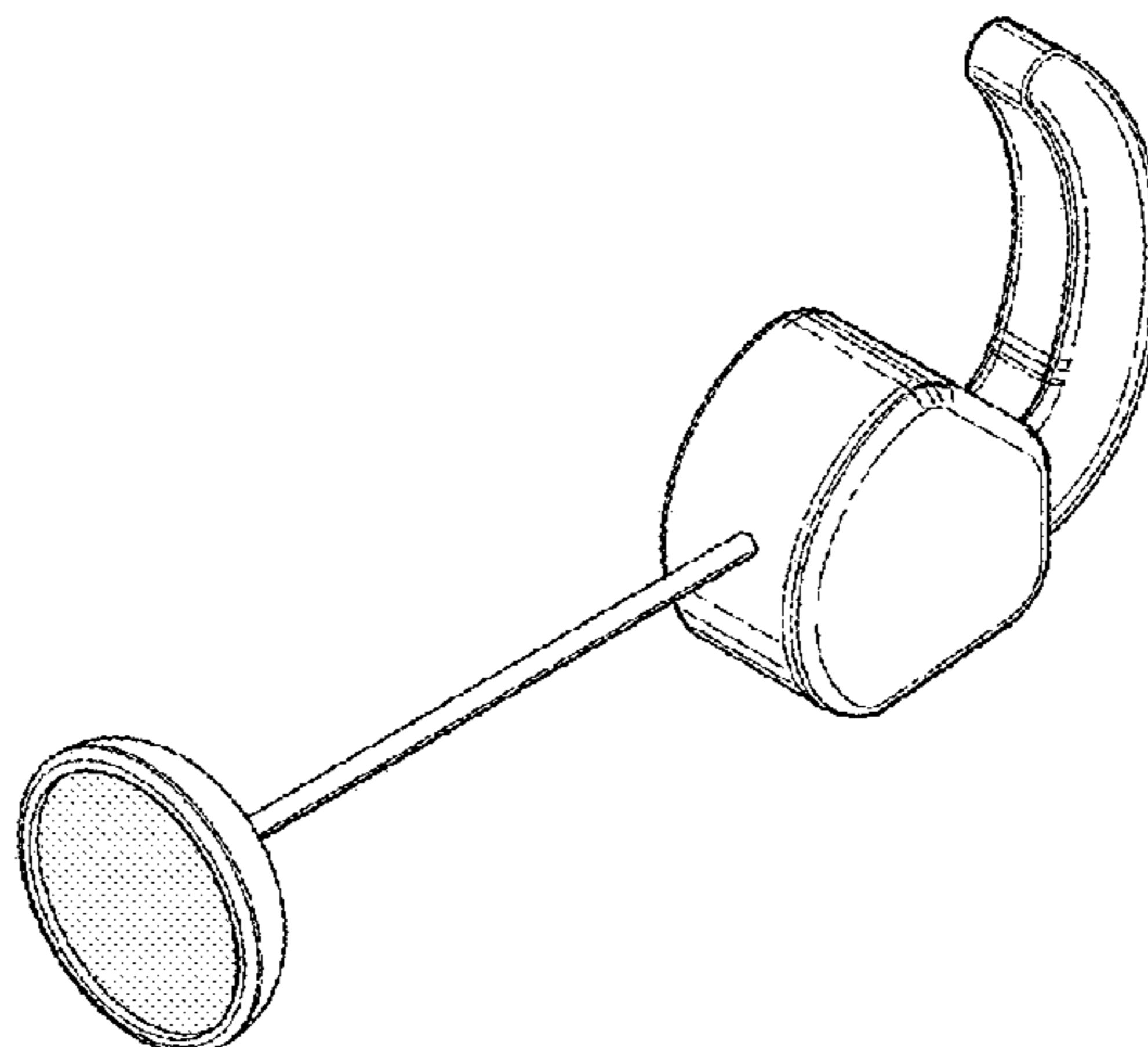
CLAIM

The ornamental design for an obstetrical vacuum apparatus, as shown and described.

DESCRIPTION

FIG. 1 is a front perspective view of an obstetrical vacuum apparatus in accordance with the design; FIG. 2 is a rear perspective view thereof; FIG. 3 is a right side view thereof; FIG. 4 is a left side view thereof; FIG. 5 is a front view thereof; FIG. 6 is a rear view thereof; FIG. 7 is a top plan view thereof; and, FIG. 8 is a bottom plan view thereof.

1 Claim, 4 Drawing Sheets



(56)

References Cited

U.S. PATENT DOCUMENTS

2008/0125792 A1* 5/2008 Giardina A61B 17/442
606/123
2009/0204124 A1* 8/2009 Ross A61B 17/442
606/123
2013/0060259 A1* 3/2013 Porat A61B 5/6843
606/123

* cited by examiner

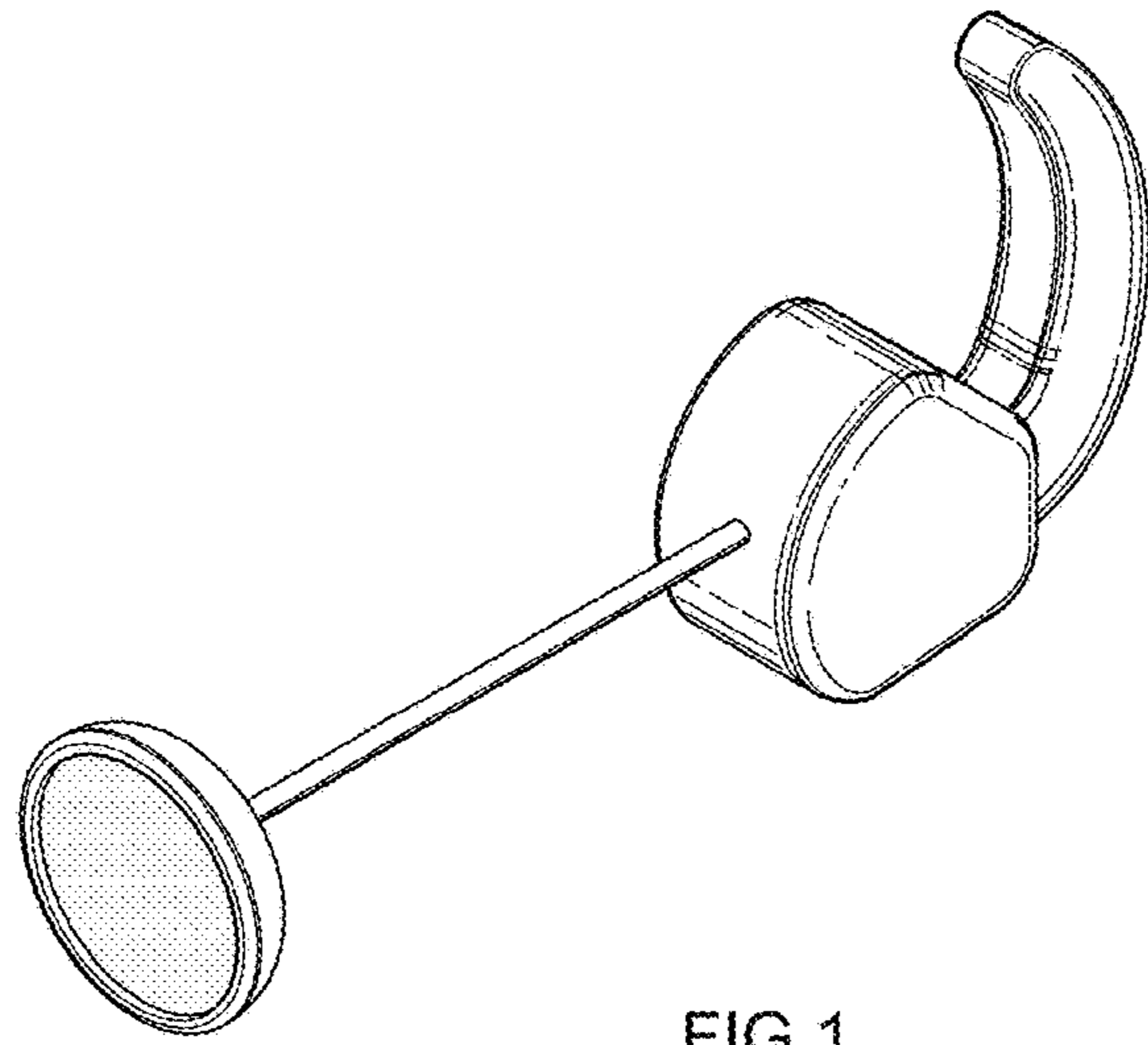


FIG.1

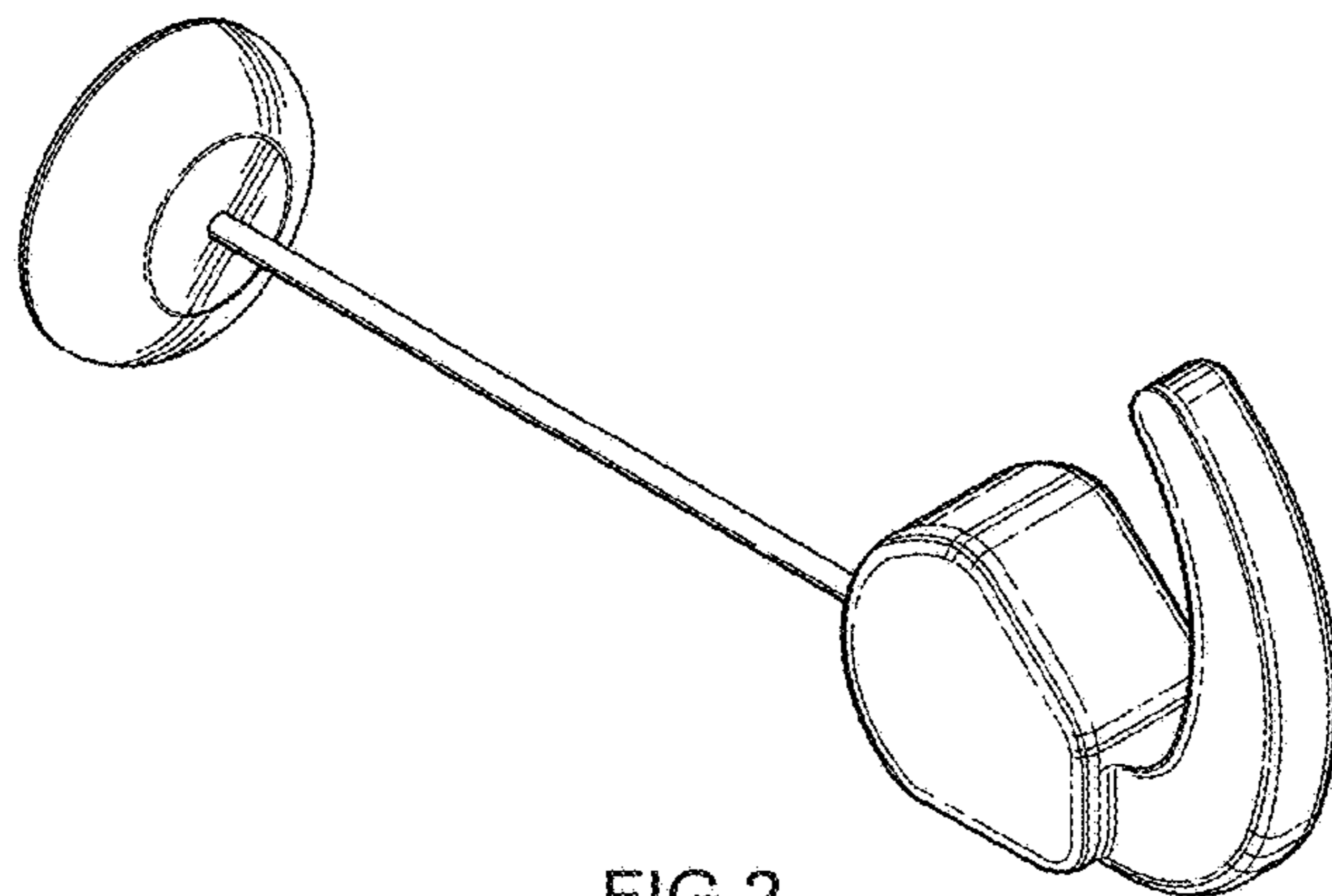


FIG.2

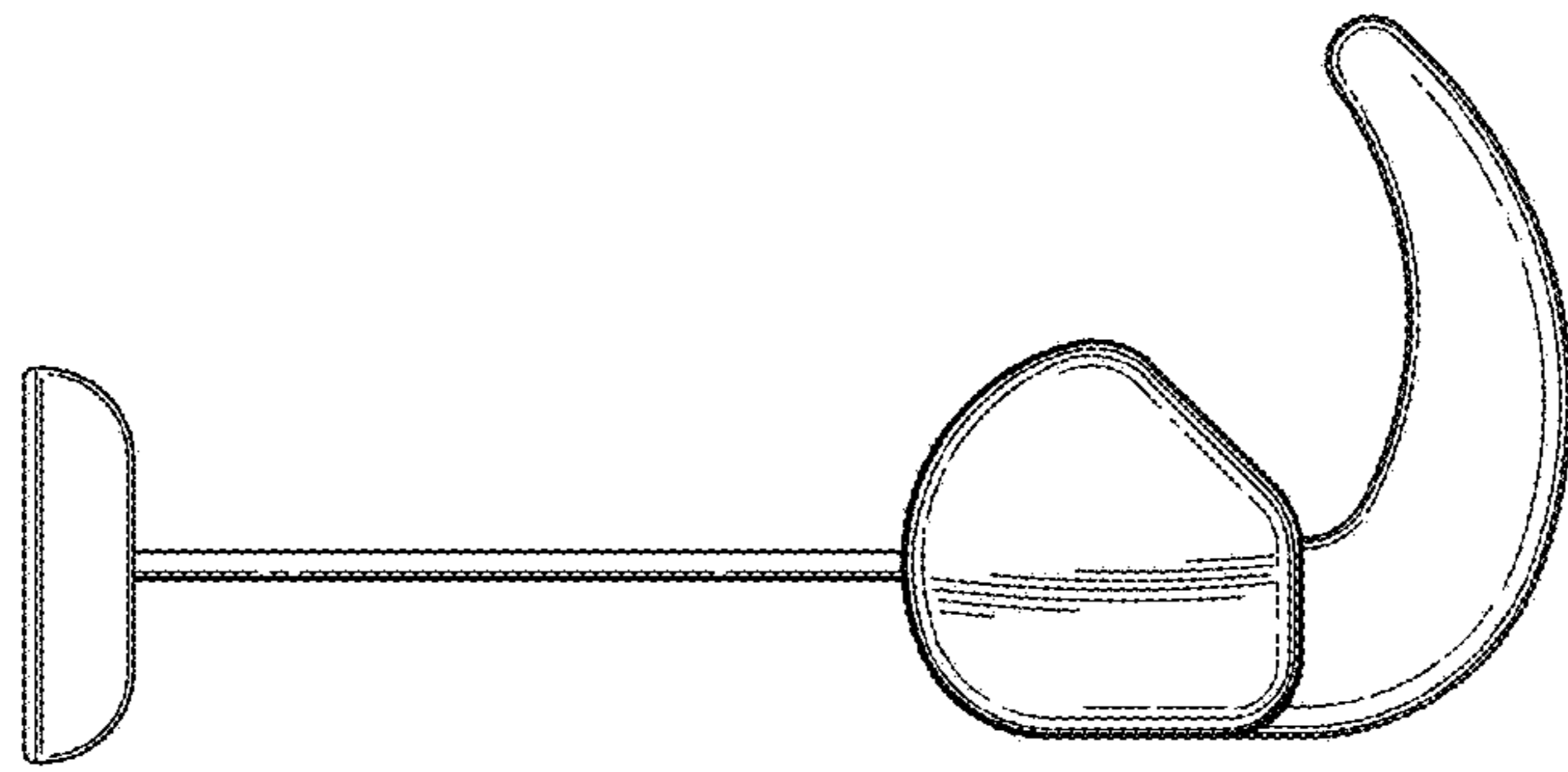


FIG.3

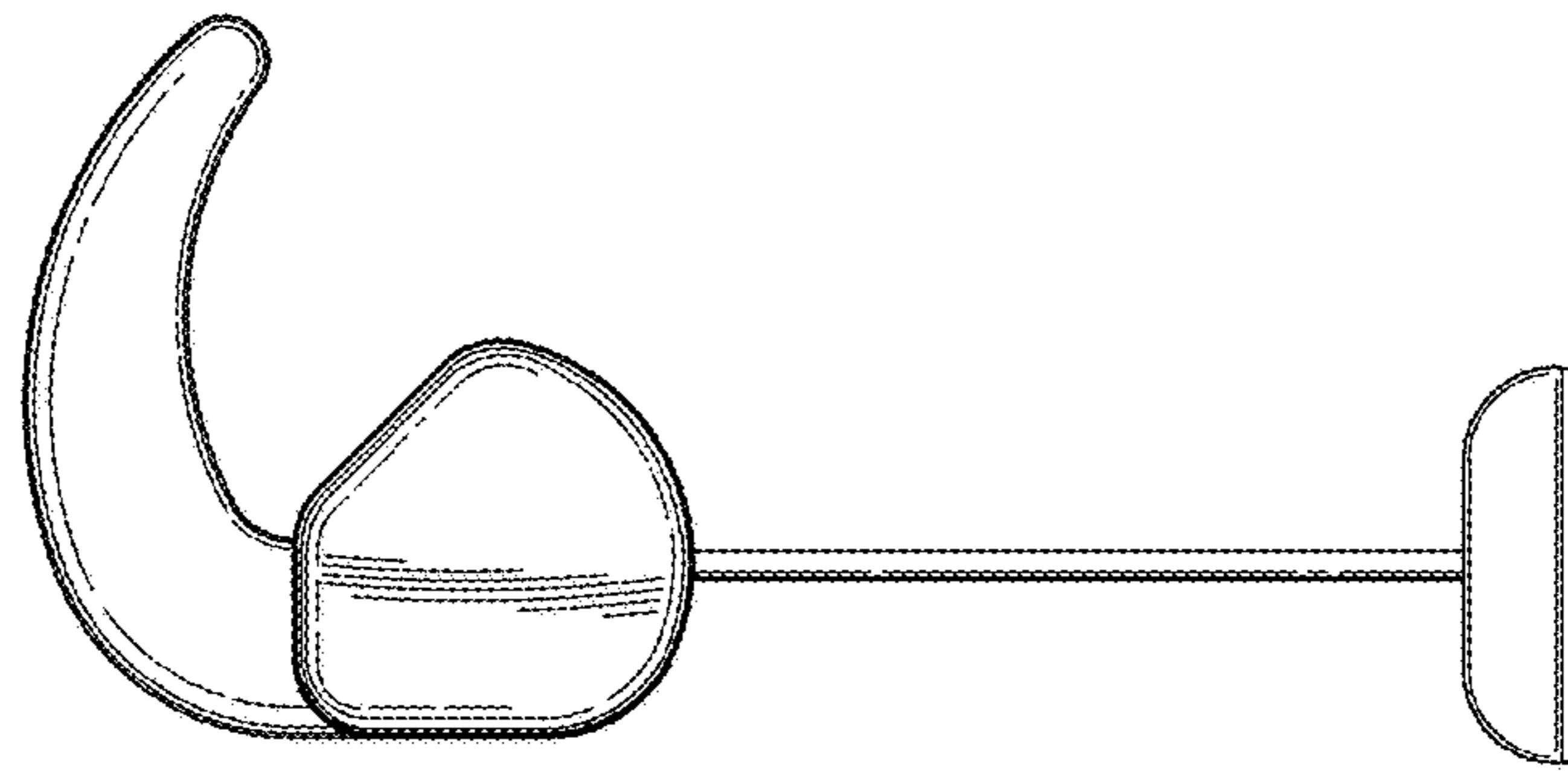


FIG.4

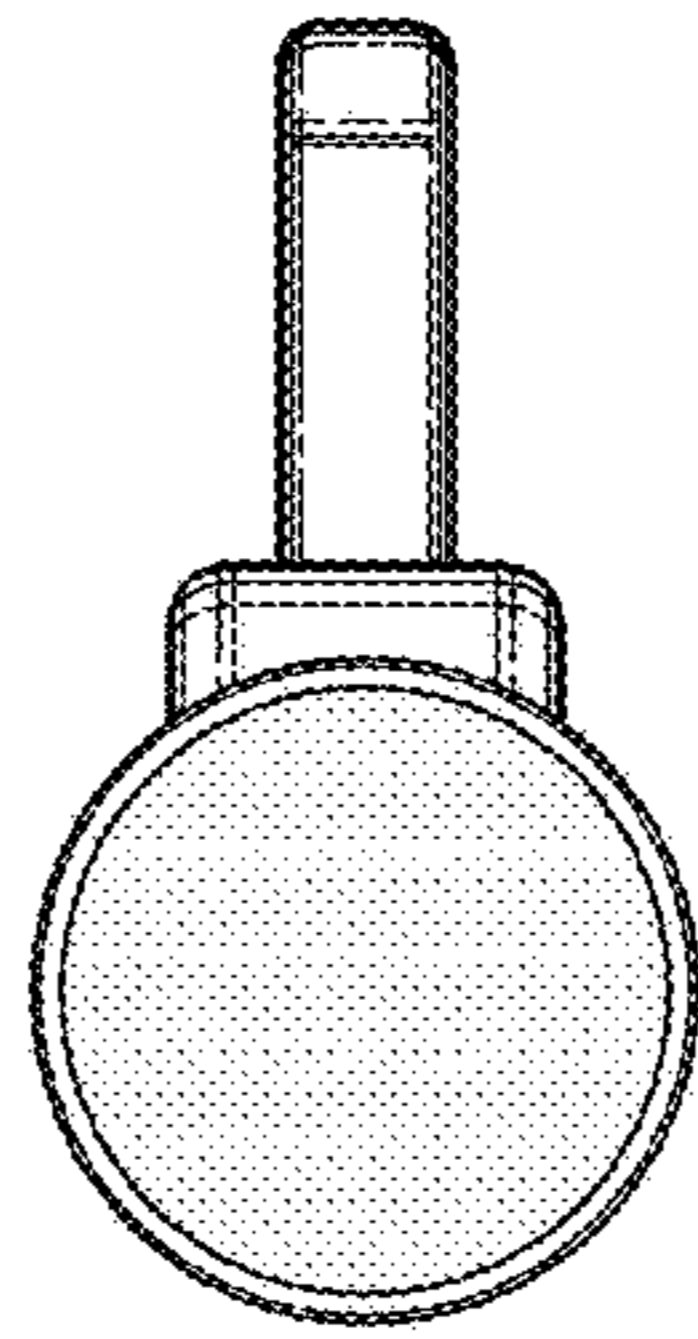


FIG. 5

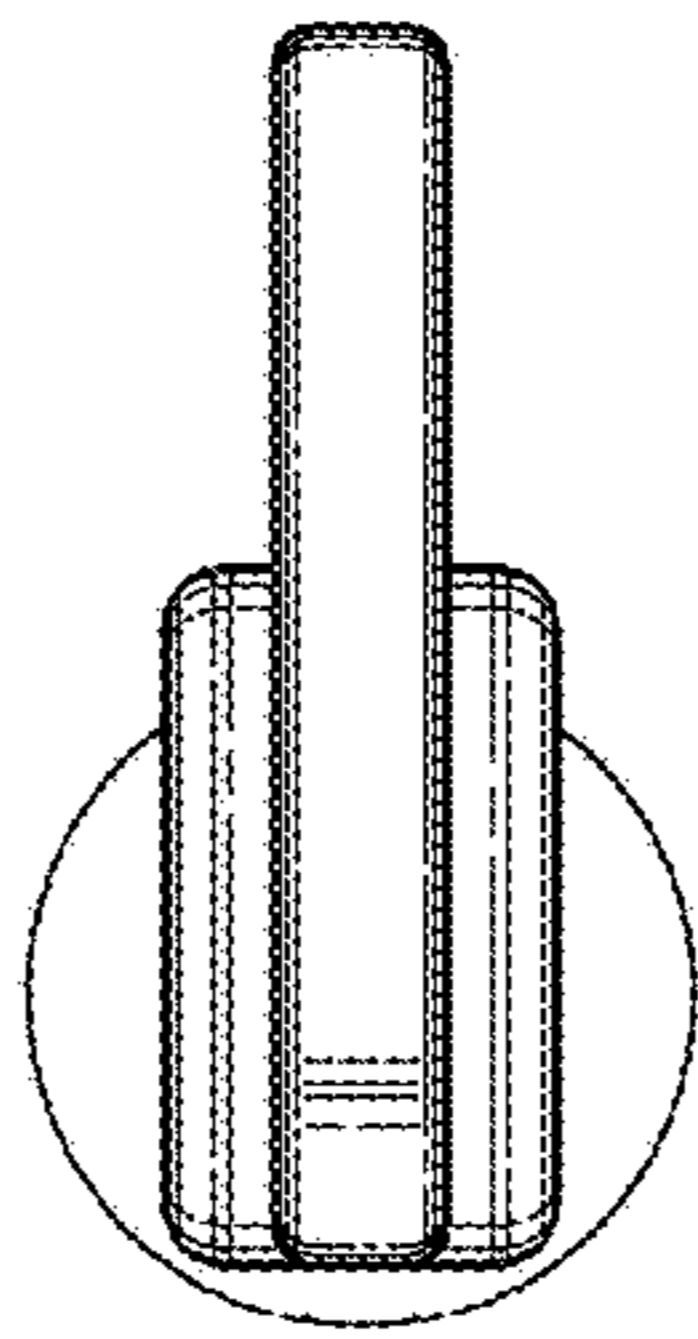


FIG. 6

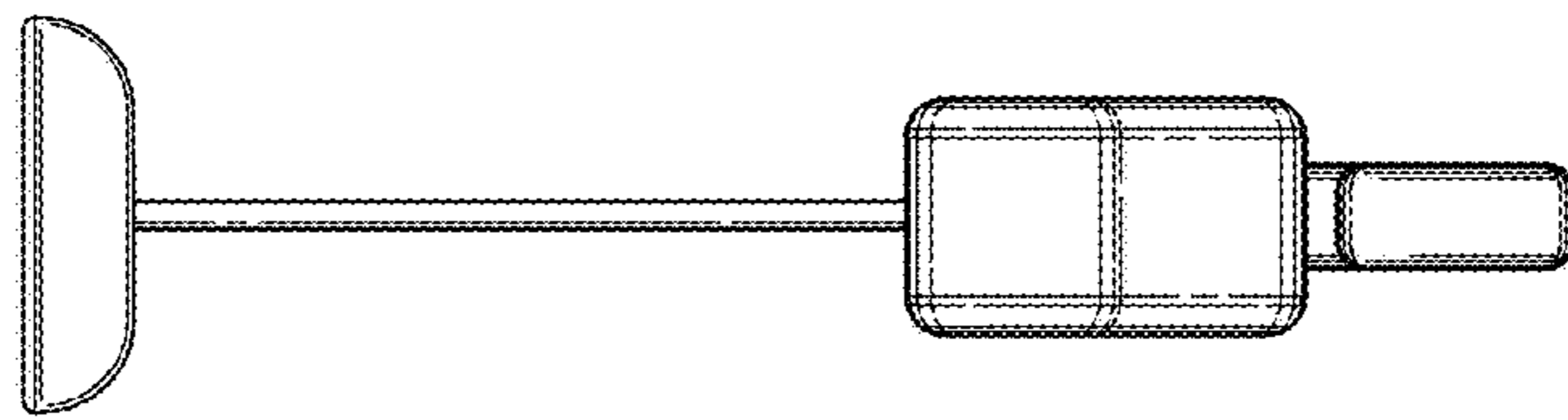


FIG. 7

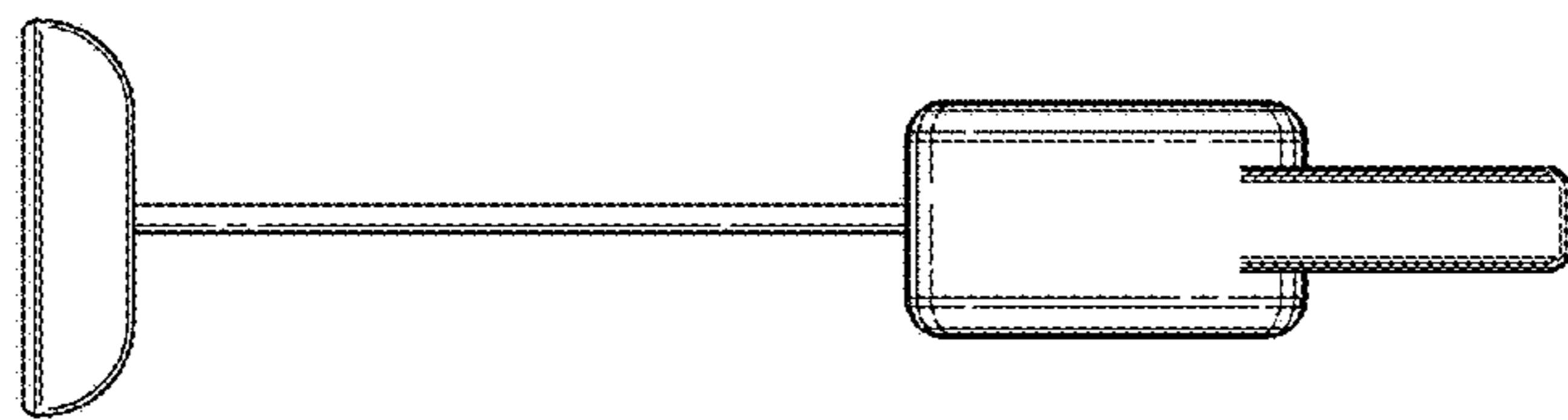


FIG. 8