



US00D859632S

(12) **United States Design Patent** (10) **Patent No.:** **US D859,632 S**  
**Yang** (45) **Date of Patent:** **\*\* Sep. 10, 2019**

- (54) **CEILING FAN**
- (71) Applicant: **YOUNGO LIMITED**, Hong Kong (CN)
- (72) Inventor: **Helen Yang**, Rowland Heights, CA (US)
- (73) Assignee: **YOUNGO LIMITED**, Hong Kong (CN)
- (\*\*) Term: **15 Years**
- (21) Appl. No.: **29/631,252**
- (22) Filed: **Dec. 28, 2017**
- (51) **LOC (12) Cl.** ..... **23-03**
- (52) **U.S. Cl.**  
USPC ..... **D23/411**
- (58) **Field of Classification Search**  
USPC ..... D23/370–385, 411–414; D26/59, 85, 86, D26/89, 90  
CPC ..... F04D 25/088; F04D 29/38; F04D 29/384; F04D 29/386; F21V 33/0096  
See application file for complete search history.

- D785,848 S \* 5/2017 Couture ..... D26/89
- D799,682 S \* 10/2017 Wang ..... D23/411
- D808,565 S \* 1/2018 Ambrozus ..... D26/74
- D811,577 S \* 2/2018 Yang ..... D23/411
- D814,011 S \* 3/2018 McRoberts ..... D23/377
- D824,558 S \* 7/2018 Guthrie ..... D26/59
- 2011/0291594 A1\* 12/2011 Tanaka ..... 315/309
- 2014/0044548 A1\* 2/2014 Wang ..... F04D 29/34 416/214 R

\* cited by examiner

*Primary Examiner* — Cathron C Brooks

*Assistant Examiner* — Sharon S Oum

(74) *Attorney, Agent, or Firm* — Pai Patent & Trademark Law Firm; Chao-Chang David Pai

(57) **CLAIM**

The ornamental design for a ceiling fan, as shown and described.

**DESCRIPTION**

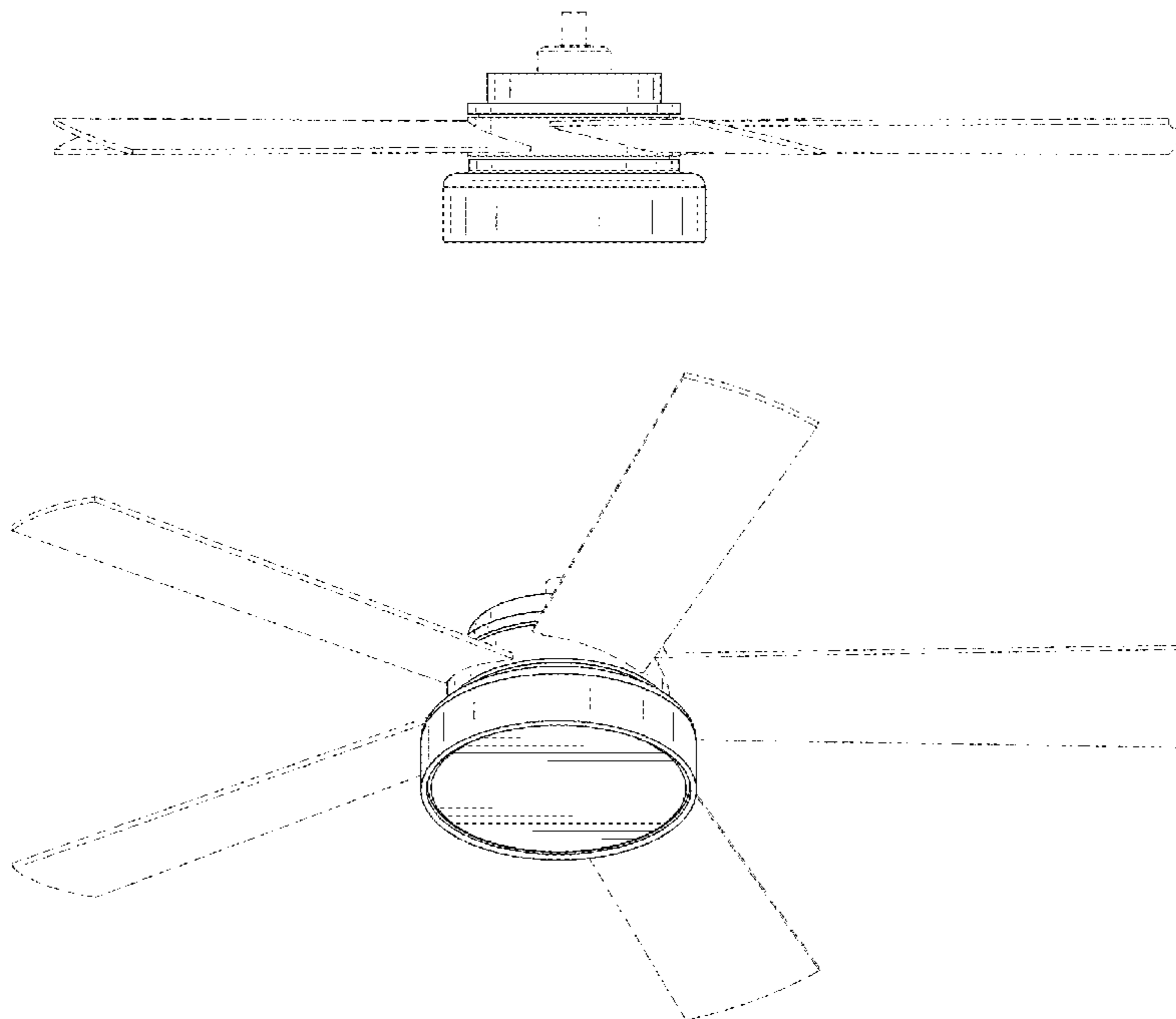
FIG. 1 is a front top perspective view of a ceiling fan showing my new design;  
 FIG. 2 is a front elevational view thereof;  
 FIG. 3 is a rear elevational view thereof;  
 FIG. 4 is a left side elevational view thereof;  
 FIG. 5 is a right side elevational view thereof;  
 FIG. 6 is a top plan view thereof;  
 FIG. 7 is a bottom plan view thereof; and,  
 FIG. 8 is a front bottom perspective view thereof.  
 The broken lines are for the purpose of illustrating environmental structure and form no part of the claimed design.

**1 Claim, 6 Drawing Sheets**

(56) **References Cited**

**U.S. PATENT DOCUMENTS**

- D297,974 S \* 10/1988 Sonneman ..... D23/377
- D625,455 S \* 10/2010 Sonneman ..... D26/85
- D705,970 S \* 5/2014 Ertze ..... D26/59
- D706,970 S \* 6/2014 Wang ..... D26/59
- D709,175 S \* 7/2014 Allen ..... D23/385
- D745,956 S \* 12/2015 Ertze ..... D23/385
- D771,795 S \* 11/2016 Wang ..... D23/411



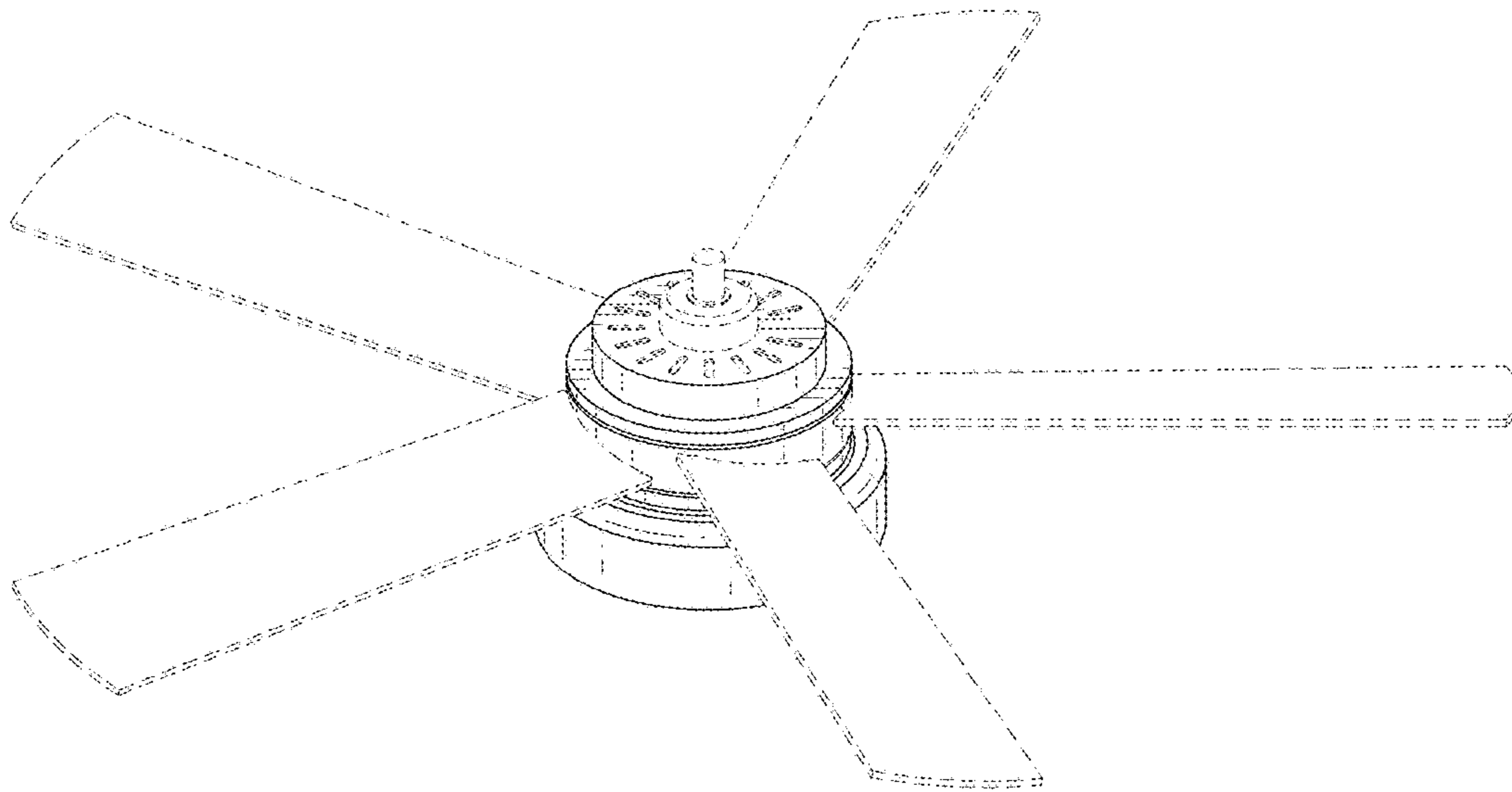


FIG. 1

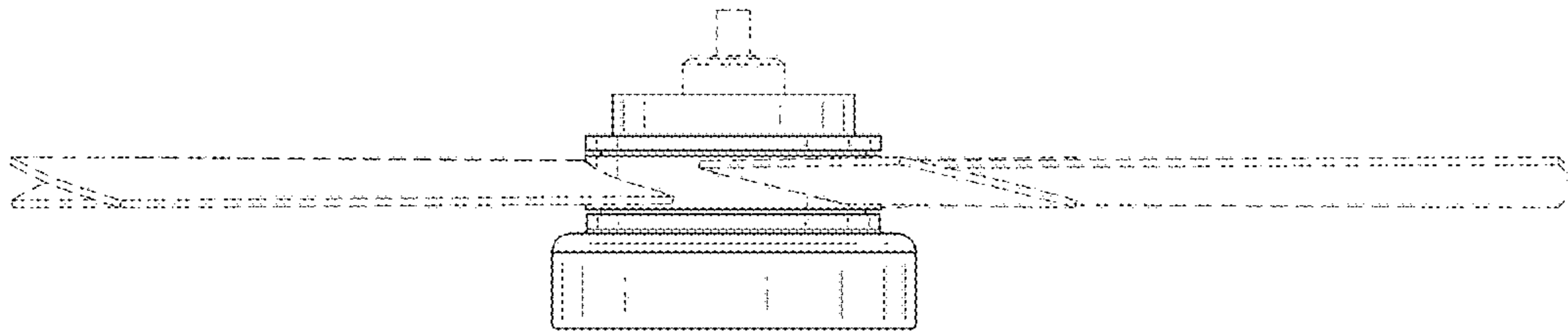


FIG. 2

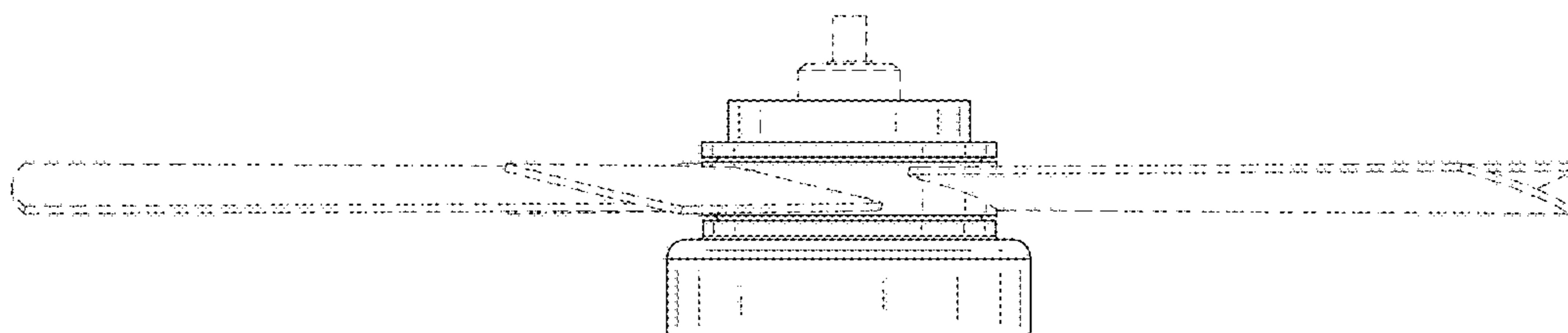


FIG. 3

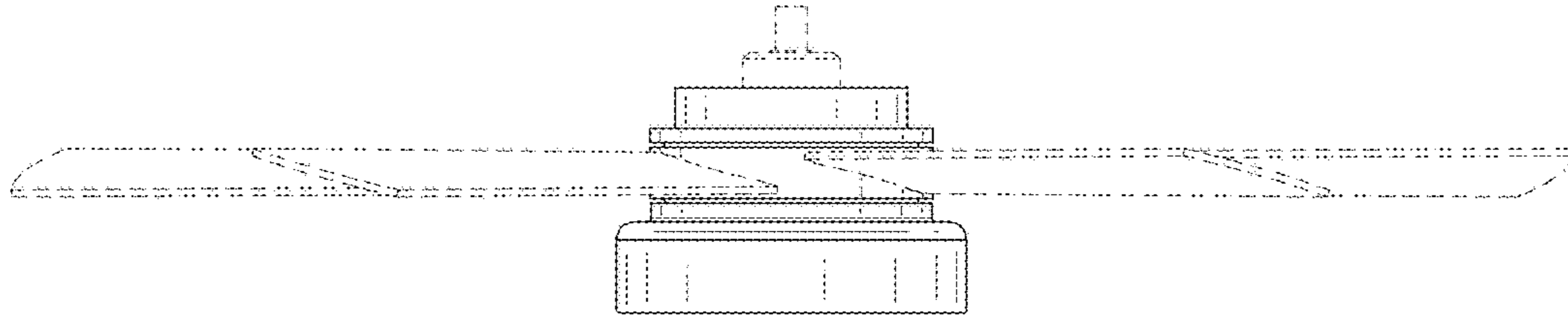


FIG. 4

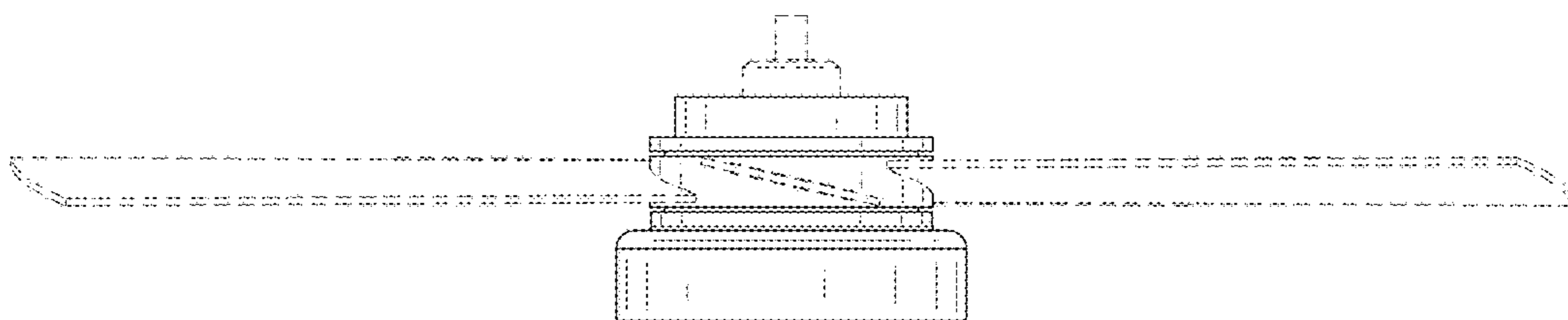


FIG. 5

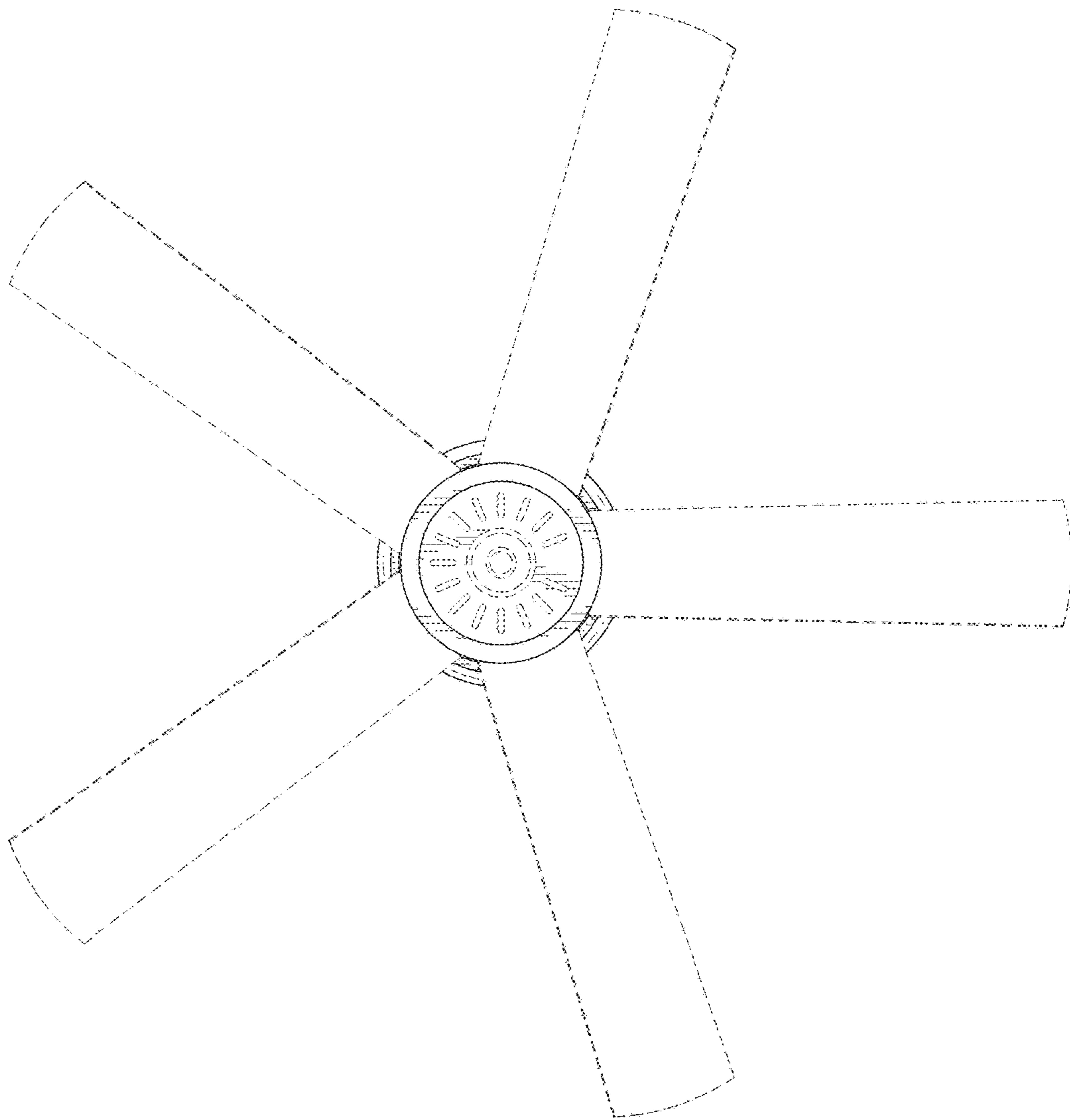


FIG. 6

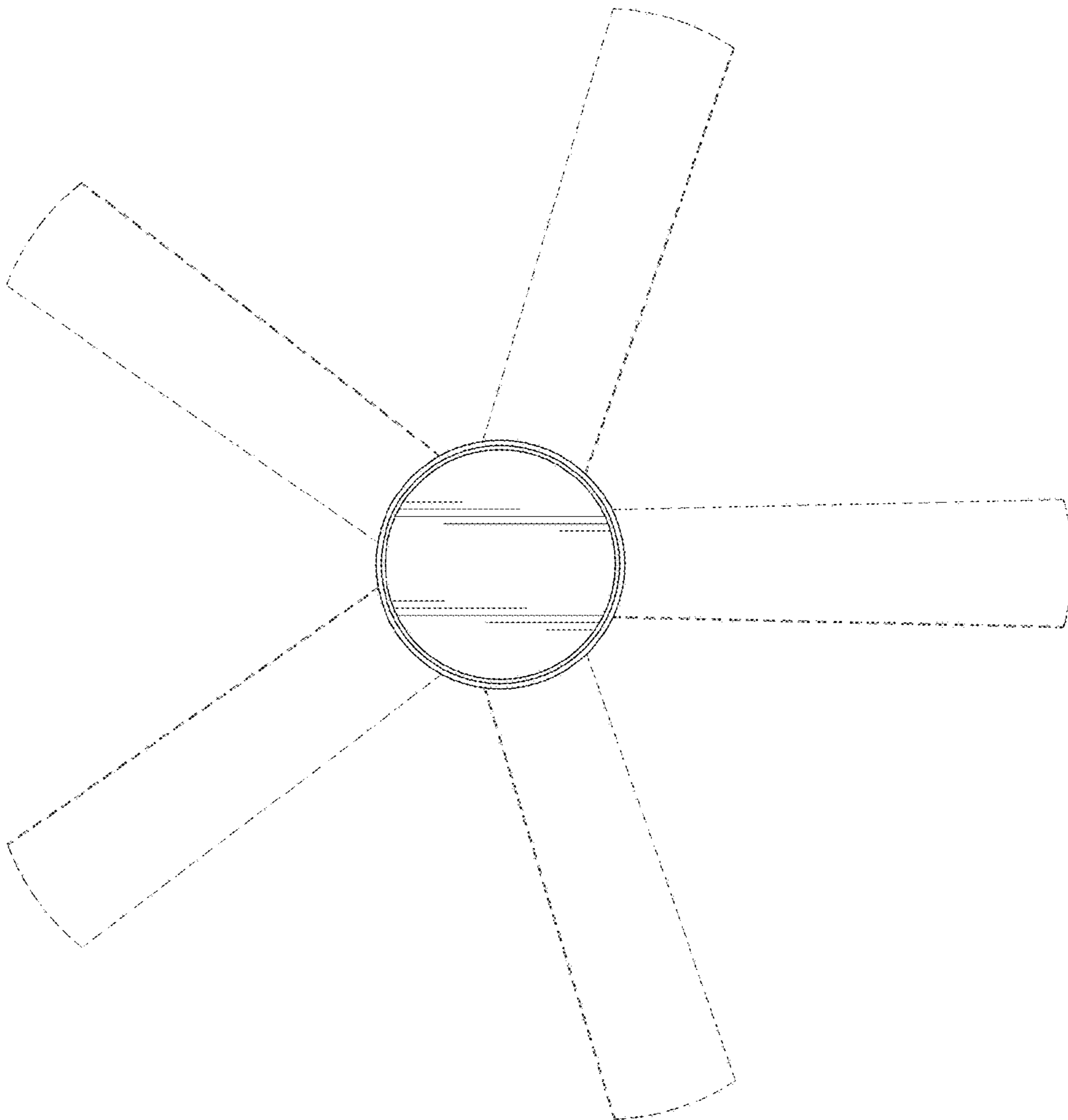


FIG. 7

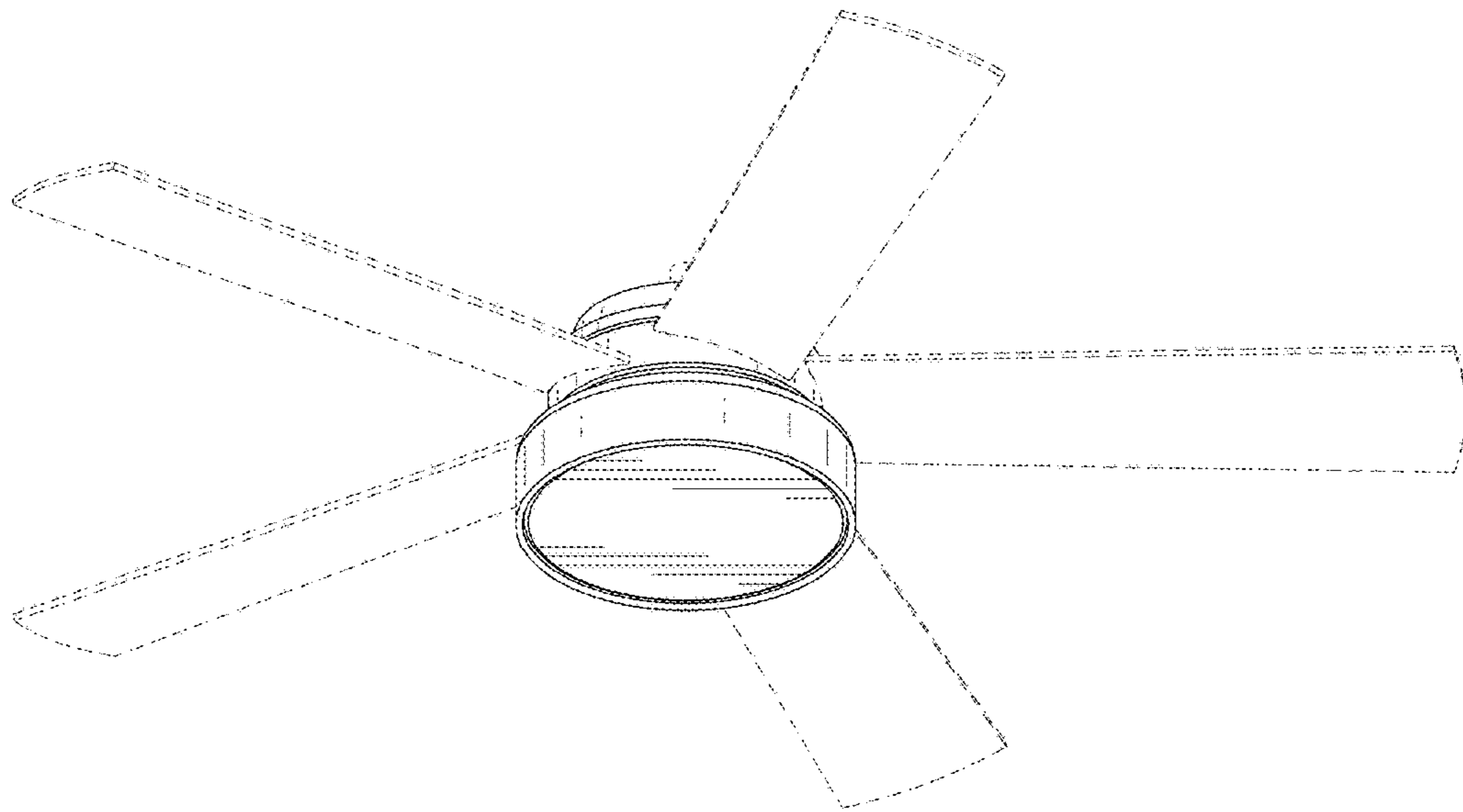


FIG. 8