



US00D859630S

(12) **United States Design Patent** (10) **Patent No.:** **US D859,630 S**
Puerto (45) **Date of Patent:** **** Sep. 10, 2019**

- (54) **CEILING FAN**
- (71) Applicant: **Kichler Lighting LLC**, Cleveland, OH (US)
- (72) Inventor: **Wendy Puerto**, Cleveland, OH (US)
- (73) Assignee: **Kichler Lighting LLC**, Cleveland, OH (US)
- (**) Term: **15 Years**
- (21) Appl. No.: **29/614,883**
- (22) Filed: **Aug. 24, 2017**

Related U.S. Application Data

- (63) Continuation of application No. 29/546,293, filed on Nov. 20, 2015, now abandoned.
- (51) **LOC (12) Cl.** **23-04**
- (52) **U.S. Cl.**
USPC **D23/385**
- (58) **Field of Classification Search**
USPC D23/370, 377, 379, 385, 411; D26/59
CPC F04D 25/088; F21V 33/0096
See application file for complete search history.

References Cited

U.S. PATENT DOCUMENTS

D510,763 S *	10/2005	Da Costa	D23/377
D612,476 S *	3/2010	Noble	D23/377
D614,757 S *	4/2010	Noble	D23/377
D675,720 S *	2/2013	Martin Conillas	D23/370
D701,300 S *	3/2014	Tanabe	D23/379
D716,436 S *	10/2014	Johnson	D23/377
D743,018 S *	11/2015	Rasmussen	D23/379
D745,955 S *	12/2015	Chen	D13/179
D755,134 S *	5/2016	Andre	D13/179
2005/0074336 A1 *	4/2005	Li	F04D 29/626 416/244 R

2007/0104583 A1 *	5/2007	Gajewski	F04D 25/088 416/210 R
2011/0141693 A1 *	6/2011	Walsh	F04D 29/4226 361/702
2012/0244008 A1 *	9/2012	Chang	F04D 29/666 416/244 R
2013/0120935 A1 *	5/2013	Huang	G06F 1/20 361/695
2013/0183140 A1 *	7/2013	Kappelman	B60K 11/04 415/116
2013/0259692 A1 *	10/2013	Chen	F04D 29/26 416/195
2013/0287581 A1 *	10/2013	Aschermann	F04D 29/384 416/223 R

(Continued)

Primary Examiner — Cynthia R Underwood
(74) *Attorney, Agent, or Firm* — Brooks Kushman P.C.

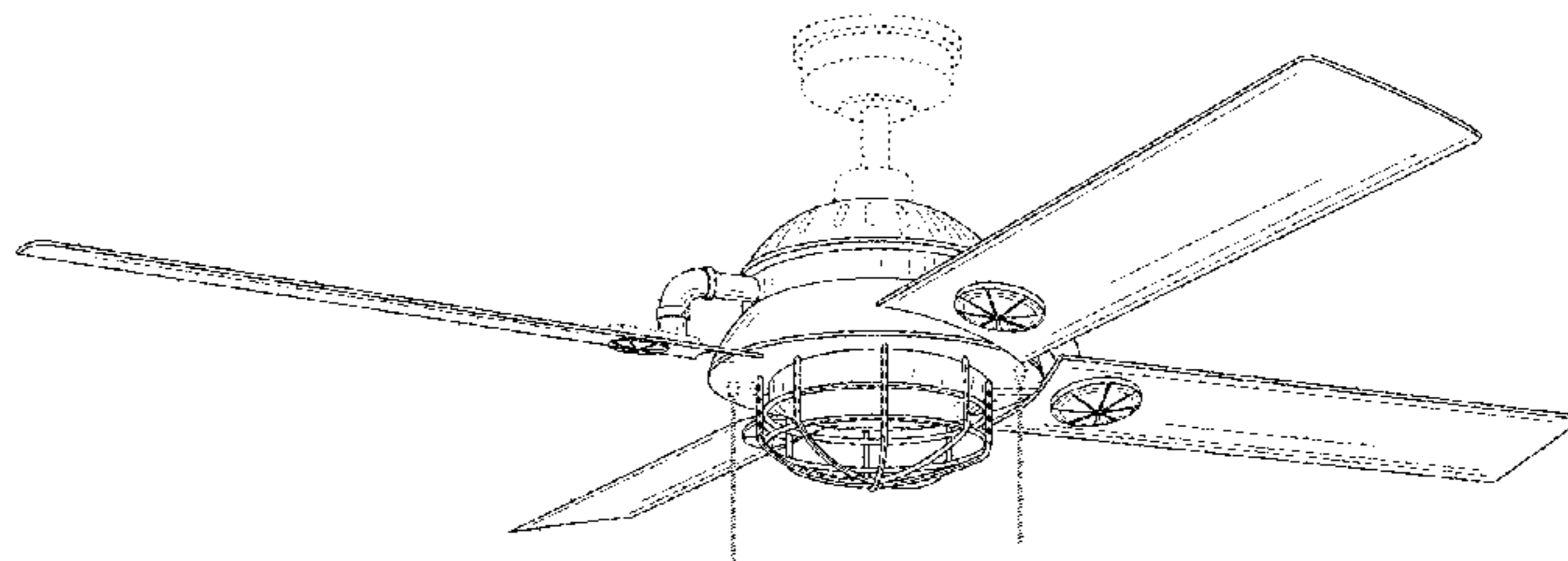
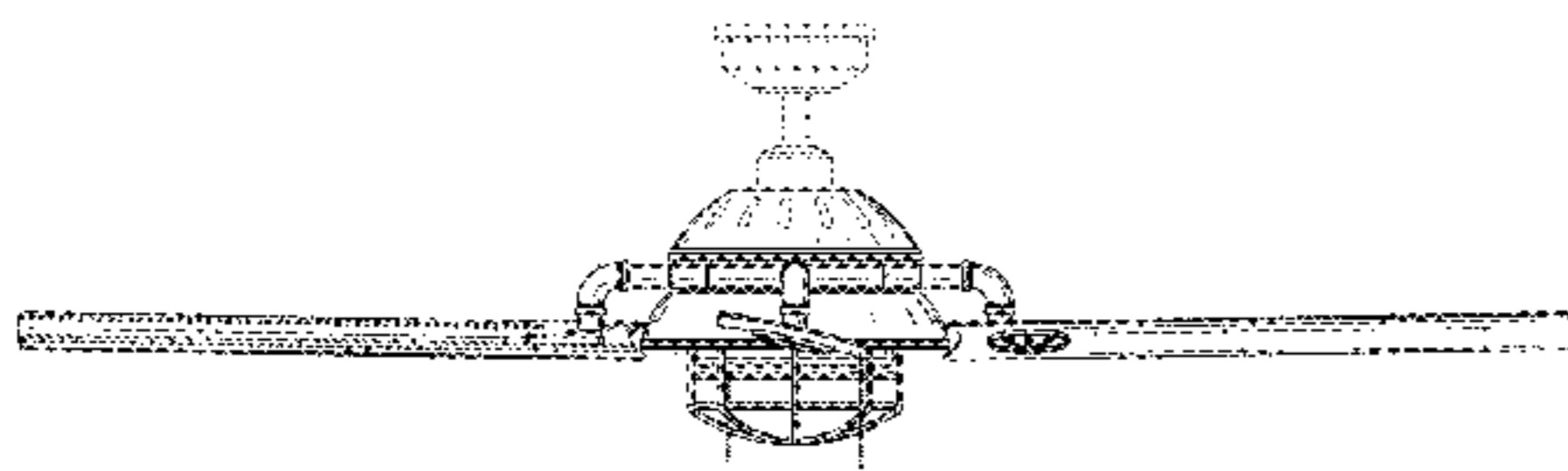
(57) **CLAIM**

I claim the ornamental design for a ceiling fan, as shown and described.

DESCRIPTION

FIG. 1 is a bottom, front perspective view of the ceiling fan, for which a bottom, rear perspective view is identical.
 FIG. 2 is a top, front perspective view of the ceiling fan, for which a top, rear perspective view is identical.
 FIG. 3 is a bottom plan view of the ceiling fan.
 FIG. 4 is a front elevational view of the ceiling fan, for which rear elevational, left side elevational, and right side elevational views are identical.
 FIG. 5 is a top plan view of the ceiling fan; and,
 FIG. 6 is another bottom, front perspective view of the ceiling fan, for which a bottom, rear perspective view is identical.
 The ceiling fan as shown in FIGS. 1-6 has four-way (90°) rotational symmetry, except for disclaimed portions.
 The broken lines represent environment and form no part of the claim.

1 Claim, 6 Drawing Sheets



(56)

References Cited

U.S. PATENT DOCUMENTS

2014/0030104 A1* 1/2014 Lee F04D 29/327
416/223 R
2014/0093405 A1* 4/2014 Chang F04D 25/064
417/354
2014/0133082 A1* 5/2014 Xu F04D 17/025
361/679.32
2014/0147282 A1* 5/2014 Hu F04D 25/0613
416/189
2015/0159672 A1* 6/2015 Lin F04D 29/646
417/354

* cited by examiner

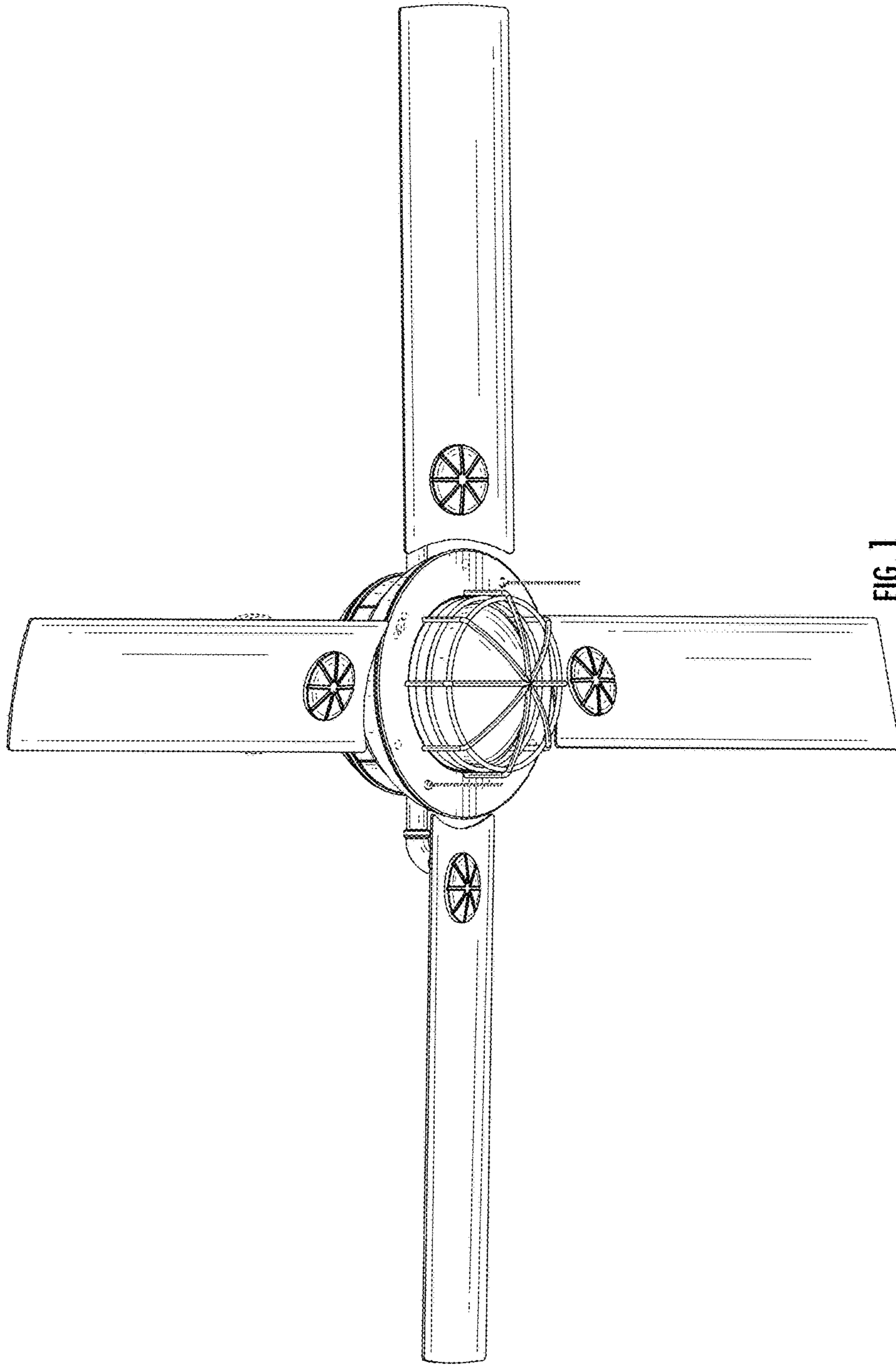


FIG. 1

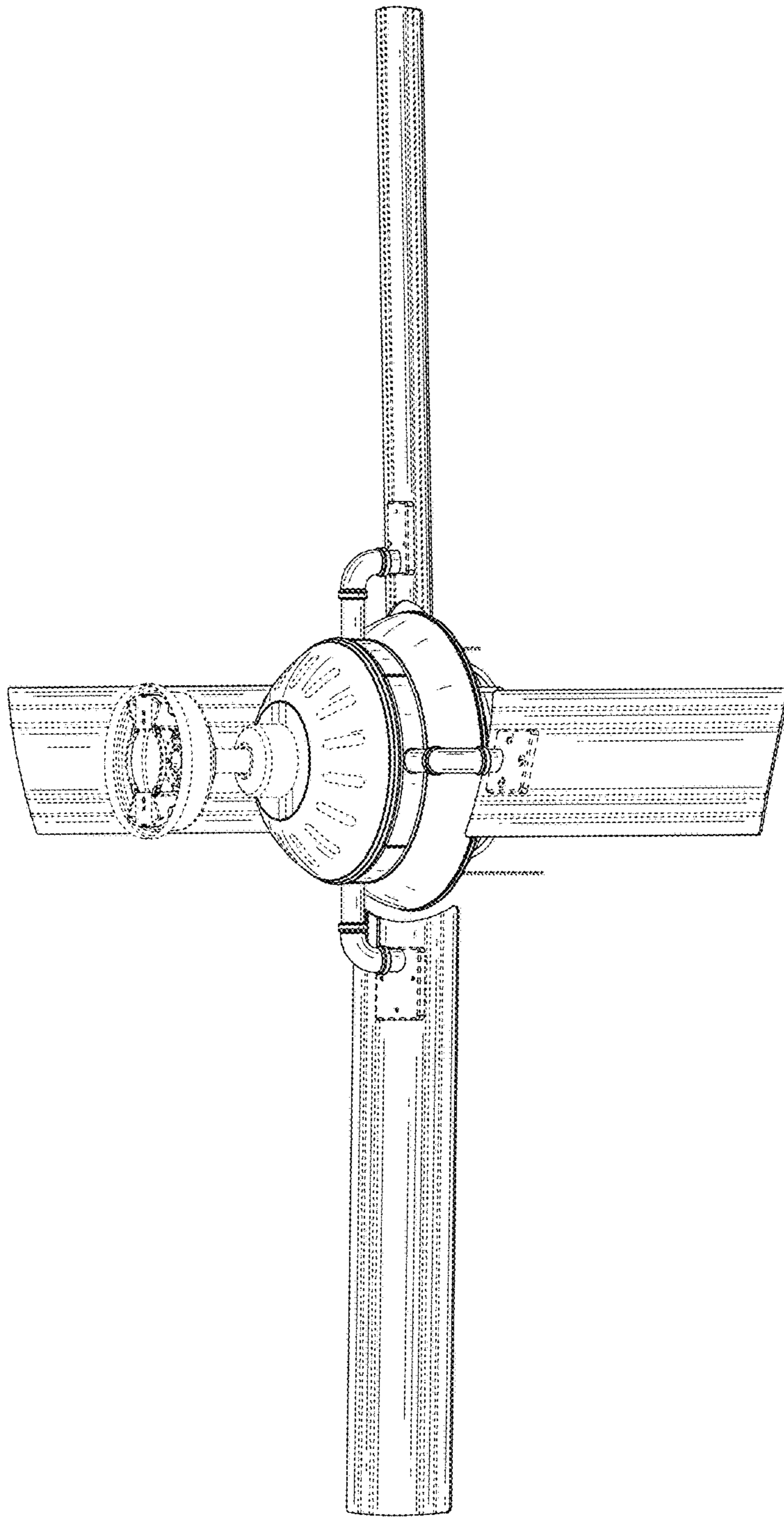


FIG. 2

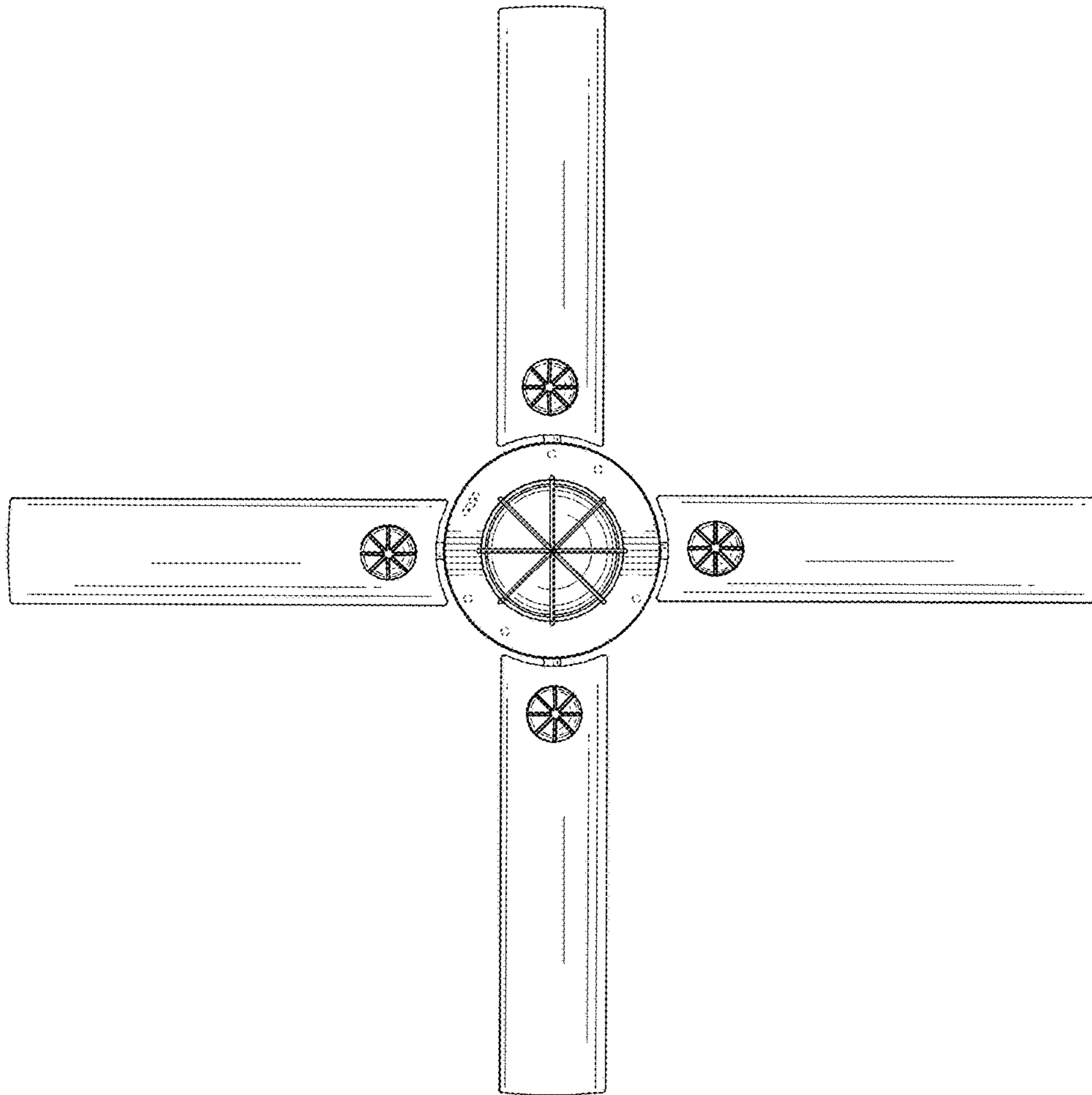


FIG. 3

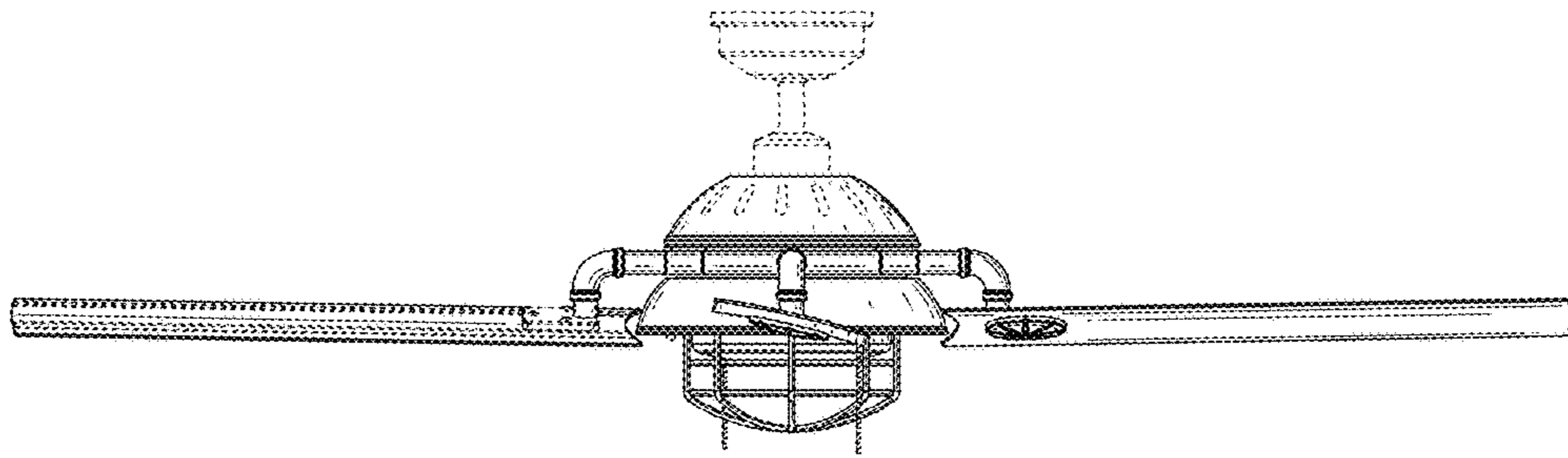


FIG. 4

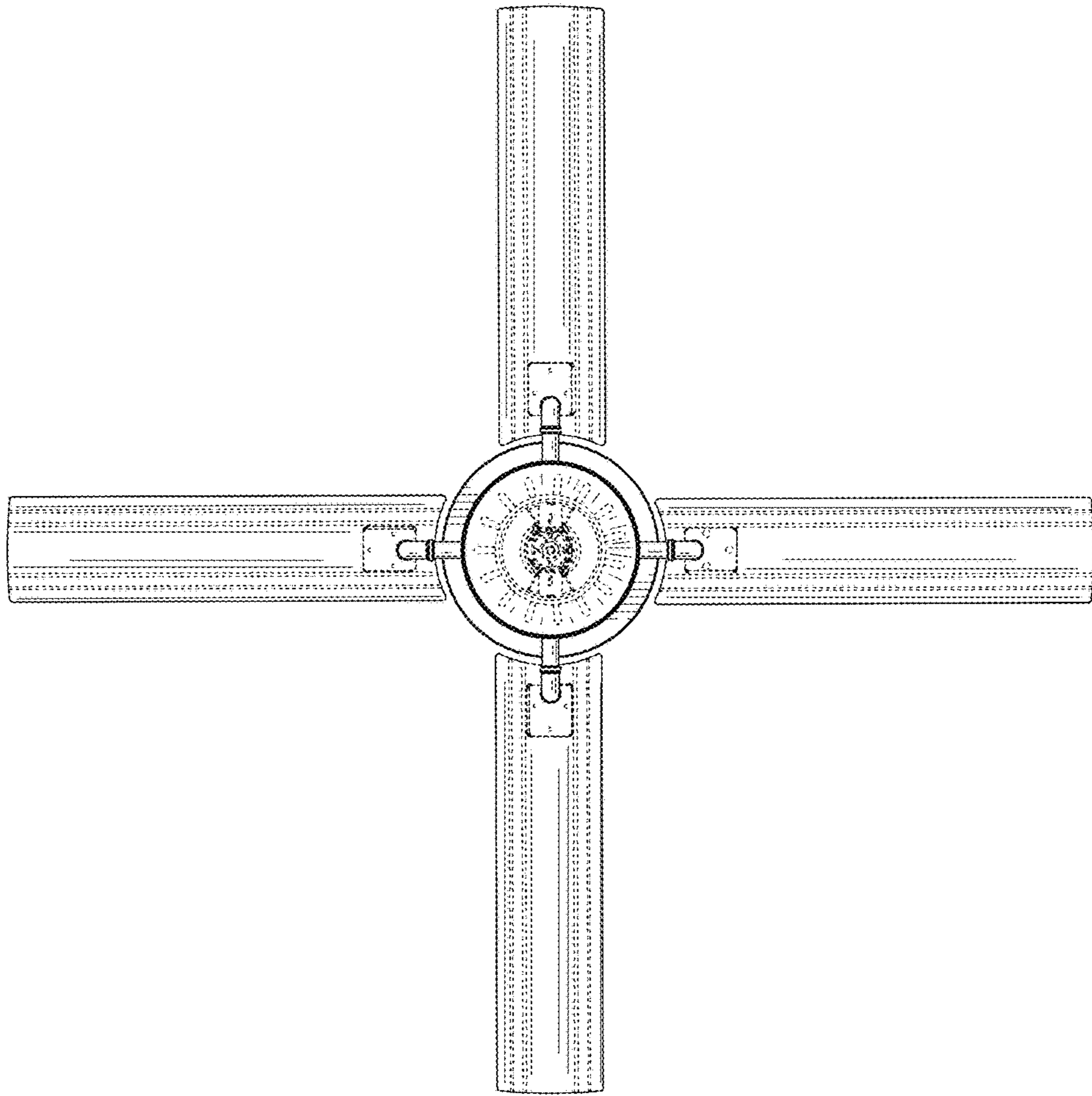


FIG. 5

