



US00D859629S

(12) **United States Design Patent**
Gajewski

(10) **Patent No.: US D859,629 S**

(45) **Date of Patent: ** *Sep. 10, 2019**

- (54) **CEILING FAN**
- (71) Applicant: **Minka Lighting, Inc.**, Corona, CA (US)
- (72) Inventor: **Mark Gajewski**, Henderson, NV (US)
- (73) Assignee: **Minka Lighting, Inc.**, Corona, CA (US)

7,077,629 B2 *	7/2006	Chen	F04D 25/088	416/110
D717,934 S	11/2014	Chen			
D783,145 S *	4/2017	Wang	D23/411	
D799,667 S *	10/2017	Wang	D23/377	
D808,509 S *	1/2018	Gajewski	D23/377	
2003/0210982 A1	11/2003	Chen			
2004/0081564 A1	4/2004	Chen			
2004/0191066 A1	9/2004	Chen			
2004/0247427 A1	12/2004	Chen			
2006/0029498 A1	2/2006	Chen			

(*) Notice: This patent is subject to a terminal disclaimer.

(**) Term: **15 Years**

(21) Appl. No.: **29/634,499**

(22) Filed: **Jan. 22, 2018**

FOREIGN PATENT DOCUMENTS

AU	201614007 S	7/2016
EM	003312974-0001 S	8/2016

OTHER PUBLICATIONS

- “Metropolitan Ceiling Fan by Gulf Coast,” [online] [Retrieved Oct. 3, 2016] web.archive.org/web/20150402172357http://www.modernfanoutlet.com/gulf-coast-metropolitan-wb_html. Published Apr. 12, 2015.
- “Savoy House Circulaire Ceiling Fan,” [online] [Retrieved Oct. 3, 2016] web.archive.org/web/20150202024834http://www.savoyhouse.com/Circulaire-Ceiling-Fan-50-950-CA-SN.html. Published Feb. 2, 2015.
- “Matthews Fan Co Atlas Kaye {Wall Mounted Fan} Model,” [online] [Retrieve Oct. 3, 2016] web.archive.org/web/20120815151802/http://fwww.ylighting.com/matthews-fan-kaye-wall-fan.html. Published Aug. 15, 2012.
- “Minka Aire Gyro Traditional Ceiling Fan,” [online] [Retrieved Oct. 3, 2016] web.archive.org/web/20150908013731/http://www.minkagroup.net/products/f502-bcw. Published Aug. 30, 2014.
- “Savoy House Circulaire 3 Headed Ceiling Fan,” [online] [Retrieved Oct. 3, 2016] web.archive.org/web/20150304155303/http://fwww.savoyhouse.com/Circulaire-3-Headed-Ceiling-Fan.html. Published Mar. 4, 2015.
- “Matthews Fan Co Vent—Bettina Metal Ceiling Fan Model,” [online] [Retrieved Oct. 4, 2016] web.archive.org/web/20120903021503/http://www.hansenwholesale.com/ceilingfans/matthewsfanco/model.asp?ProdNo=VB-CR-MTL. Published Sep. 3, 2012.
- “Minka Aire Gyrette Ceiling Fan Model,” [online] [Retrieved Oct. 4, 2016] web.archive.org/web/20120806180136/http://www.farreys.com/ceilingfans/minkaaire/gyretteF302-BN.html. Published Aug. 6, 2012.
- Craftmade Bellows IV {Wall Mounted Fan} Model, [online] [Retrieved Oct. 4, 2016] web.archive.org/web/20160324044808/http://www.craftmade.com/Craftmade-Bellows-iv-v16.htm. Published Mar. 24, 2016.

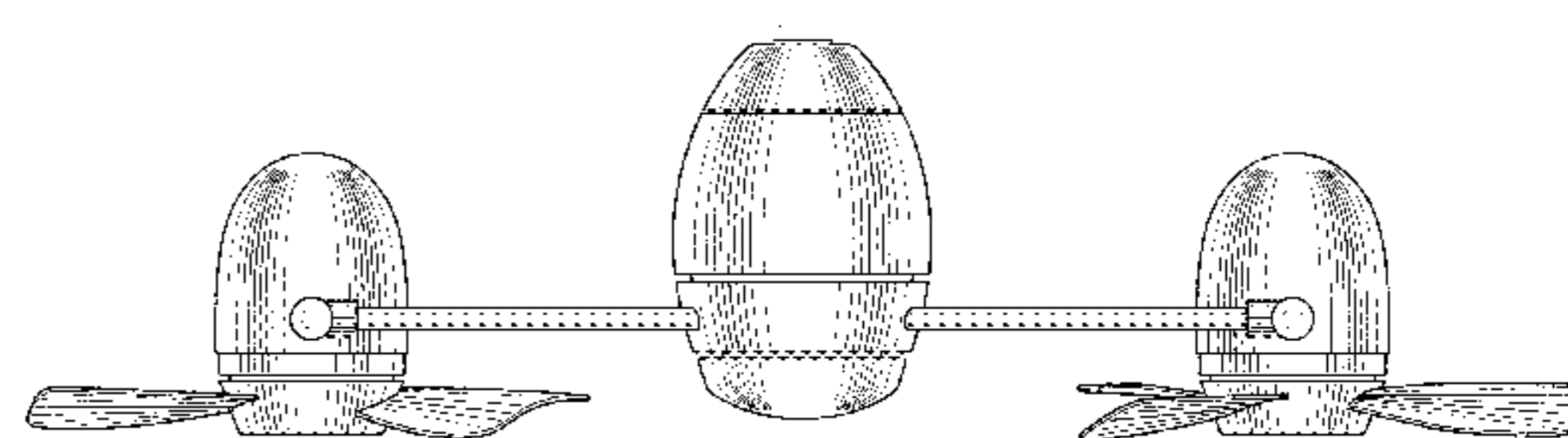
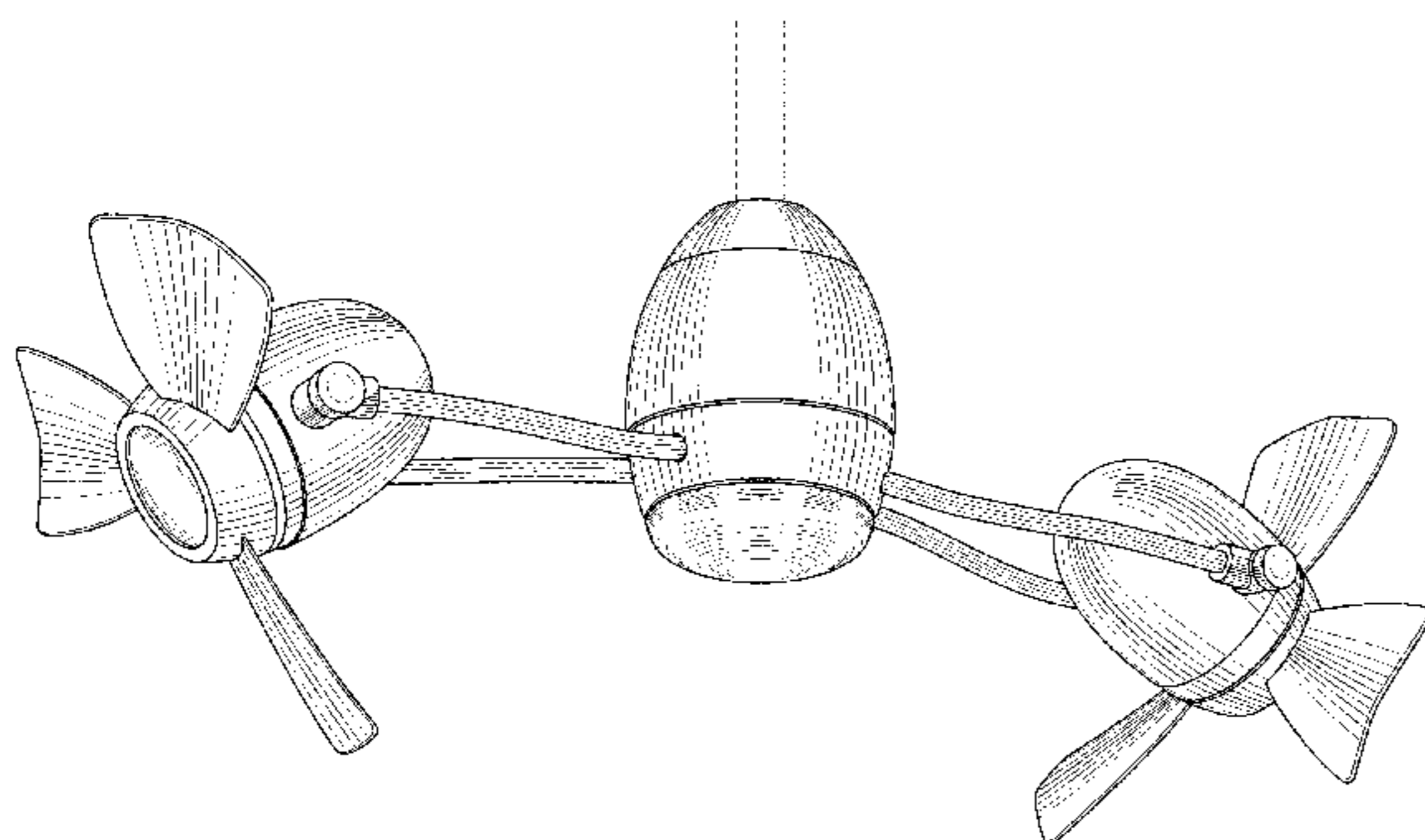
Related U.S. Application Data

- (63) Continuation of application No. 29/586,730, filed on Dec. 6, 2016, now Pat. No. Des. 808,509.
- (51) **LOC (12) Cl.** **23-04**
- (52) **U.S. Cl.**
USPC **D23/380; D23/377**
- (58) **Field of Classification Search**
USPC D23/370–385, 411–414; D26/59
CPC F04D 25/088; F21V 33/0096
See application file for complete search history.

(56) **References Cited**

U.S. PATENT DOCUMENTS

D485,608 S	1/2004	Chen	
D489,443 S	5/2004	Gajewski	
D490,146 S	5/2004	Gajewski	
6,817,830 B1 *	11/2004	Chen F04D 25/166 415/60
D506,002 S	6/2005	Chen	
6,913,443 B2 *	7/2005	Chen F04D 25/088 416/100
D508,120 S	8/2005	Chen	
D519,204 S	4/2006	Spina	
D519,625 S	4/2006	Young	



Savoy House Sleep Floor Fan (Pedestal Fan) Model, [online]. [Retrieved Oct. 4, 2016]. [web.archive.org/web/20141123144846/http://www.bedbathandbeyond.com/store/product/savoy-house-19-inch-3-speed-floor-pedestal-sleep-fan/3258382?](http://www.bedbathandbeyond.com/store/product/savoy-house-19-inch-3-speed-floor-pedestal-sleep-fan/3258382?) Published Nov. 23, 2014.

Savoy House Skyy Wall Fan (Wall Mounted Fan) Model, [online]. [Retrieved Oct. 4, 2016]. [web.archive.org/web/20140915205153/http://www.savoyhouse.com/Skyy-Wall-Fan.html](http://www.savoyhouse.com/Skyy-Wall-Fan.html). Published Sep. 15, 2014.

Craftmade Dane Ceiling Fan Model, [online]. [Retrieved Oct. 4, 2016]. [web.archive.org/web/20141031080103/http://www.lampsplus.com/products/30-inch-craftmade-dane-stainless-steel-ceiling-fan_6c705.html](http://www.lampsplus.com/products/30-inch-craftmade-dane-stainless-steel-ceiling-fan_6c705.html). Published Oct. 31, 2014.

Quorum Bronx Patio Ceiling Fan Model, [online]. [Retrieved Oct. 4, 2016]. [web.archive.org/web/20140113133352/http://www.lumens.com/bronx-patio-ceiling-fan-by-quorum-international-uu455837.html](http://www.lumens.com/bronx-patio-ceiling-fan-by-quorum-international-uu455837.html). Published Jan. 13, 2014.

“Emerson Curva 44 Ceiling Fan Model,” [online]. [Retrieved Oct. 4, 2016]. [web.archive.org/web/20151017235758/http://ceilingfans.emerson.com/shop/en/fan/44-curve-fan-p-cf244?](http://ceilingfans.emerson.com/shop/en/fan/44-curve-fan-p-cf244?) Published Oct. 17, 2015.

“Quorum Muse Ceiling Fan Model,” [online]. [Retrieved Oct. 4, 2016]. [web.archive.org/web/20140113131942/http://www.lumens.com/muse-ceiling-fan-by-quorum-international-uu310239.html](http://www.lumens.com/muse-ceiling-fan-by-quorum-international-uu310239.html). Published Jan. 13, 2014.

“Modern Fan Gusto Model,” [online]. [Retrieved Oct. 4, 2016]. [web.archive.org/web/20140408061033/http://www.modernfan.com/products/gusto.html](http://www.modernfan.com/products/gusto.html). Published Apr. 8, 2014.

“Montecarlo Muirfield Ceiling Fan,” [online]. [Retrieved Oct. 4, 2016]. [web.archive.org/web/20110811024539/http://www.montecarlofans.com/fa1766-pg1/Muirfield-Collection.htm](http://www.montecarlofans.com/fa1766-pg1/Muirfield-Collection.htm). Published Aug. 11, 2011.

“Modern Fan Plum Model,” [online]. [Retrieved Oct. 4, 2016]. [web.archive.org/web/20140408061105/http://www.modernfan.com/products/plum.html](http://www.modernfan.com/products/plum.html). Published Apr. 8, 2014.

“Modern Fan Cirrus Model,” [online]. [Retrieved Oct. 4, 2016]. [web.archive.org/web/20160204141156/http://www.lighting.com/modern-fan-cirrus-ceiling-fan.html](http://www.lighting.com/modern-fan-cirrus-ceiling-fan.html). Published Feb. 4, 2016.

“Minka Aire Vintage Gyro Ceiling Fan,” [online]. [Retrieved Oct. 4, 2016]. [web.archive.org/web/20140830171636/http://minkagroup.net/products/f802-orb](http://minkagroup.net/products/f802-orb). Published Aug. 30, 2014.

“Minka Aire Gyro Ceiling Fan,” [online]. [Retrieved Oct. 4, 2016]. [web.archive.org/web/20081226150837/http://www.lampsplus.com/Products/42-inch-Minka-Aire-Gyro-Ceiling-Fan_70451.html](http://www.lampsplus.com/Products/42-inch-Minka-Aire-Gyro-Ceiling-Fan_70451.html). Published Dec. 26, 2008.

“Minka Aire Gyro Outdoor Ceiling Fan,” [online]. [Retrieved Oct. 4, 2016]. [web.archive.org/web/20140805143133/http://www.lumens.com/gyro-wet-42-in.-ceiling-fan-by-minka-aire-fans-PAAAAAFCNDJACBCL.html](http://www.lumens.com/gyro-wet-42-in.-ceiling-fan-by-minka-aire-fans-PAAAAAFCNDJACBCL.html). Published Aug. 2014.

“Matthews Fan Co. Dagny w/Wood Blades Ceiling Fan,” [online]. [Retrieved Oct. 4, 2016]. [web.archive.org/web/20120815153325/http://www.ylighting.com/matthews-fan-dagny-ceiling-fan.html](http://www.ylighting.com/matthews-fan-dagny-ceiling-fan.html). Published Aug. 15, 2012.

“Matthews Fan Co. Atlas Acqua Rotational Wood Ceiling Fan,” [online]. [Retrieved Oct. 4, 2016]. [web.archive.org/web/20120310102815/http://www.ylighting.com/matthews-fan-acqua-ceiling-fan.html](http://www.ylighting.com/matthews-fan-acqua-ceiling-fan.html). Published Mar. 10, 2012.

“Matthews Fan Co. Dagny w/Metal Blades Ceiling Fan,” [online]. [Retrieved Oct. 4, 2016]. [web.archive.org/web/20120815153325/http://www.ylighting.com/matthews-fan-dagny-ceiling-fan.html](http://www.ylighting.com/matthews-fan-dagny-ceiling-fan.html). Published Aug. 15, 2012.

“Savoy House Sleep Fan Table (Table/Desk Fan) Model,” [online]. [Retrieved Oct. 4, 2016]. [web.archive.org/web/20151028095203/http://www.hansenwholesale.com/ceilingfans/savoyhouse/model.asp?ProdNo=SV%2D12%DSF%2D13](http://www.hansenwholesale.com/ceilingfans/savoyhouse/model.asp?ProdNo=SV%2D12%DSF%2D13). Published Oct. 28, 2015.

“Craftmade Bellows III Ceiling Fan Model,” [online]. [Retrieved Oct. 4, 2016]. [web.archive.org/web/20151225091221/http://www.craftmade.com/Craftmade-BW321AG3-Bronze-Outdoor-Ceiling-Fan](http://www.craftmade.com/Craftmade-BW321AG3-Bronze-Outdoor-Ceiling-Fan). HTM. Published Dec. 25, 2015.

“Craftmade Bellows II Ceiling Fan Model,” [online]. [Retrieved Oct. 4, 2016]. [web.archive.org/web/20160515134443/http://www.craftmade.com/Craftmade-BW248AG6-Bronze-Outdoor-Ceiling-Fan](http://www.craftmade.com/Craftmade-BW248AG6-Bronze-Outdoor-Ceiling-Fan). HTM. Published May 15, 2016.

Craftmade Bellows I (Wall Mounted Fan) Model, [online]. [Retrieved Oct. 4, 2016]. [web.archive.org/web/20150704000333/http://www.hansenwholesale.com/ceilingfans/craftmade/model.asp?ProdNo=CF%DBW116AG3](http://www.hansenwholesale.com/ceilingfans/craftmade/model.asp?ProdNo=CF%DBW116AG3). Published Jul. 4, 2015.

“Matthews Fan Co. Atlas Melody Oscillating Wall Fan (Wall Mounted Fan) Model,” [online]. [Retrieved Oct. 4, 2016]. [web.archive.org/web/20120310113427/http://www.ylighting.com/matthews-fan-melody-wall-fan.html](http://www.ylighting.com/matthews-fan-melody-wall-fan.html). Published Mar. 10, 2012.

“Kichler Dual Yuree Ceiling Fan,” [online]. [Retrieved Oct. 4, 2016]. [web.archive.org/web/20140724123112/http://www.kichler.com/products/product/48-inch-dual-yuree-fan-ni-310125ni.aspx](http://www.kichler.com/products/product/48-inch-dual-yuree-fan-ni-310125ni.aspx). Published Jul. 24, 2014.

“Circulaire Ceiling Fan,” [online]. [Retrieved Mar. 10, 2017]. [web.archive.org/web/20150202024834/http://www.savoyhouse.com/Circulaire-Ceiling-Fan-50-950-CA-SN.html](http://www.savoyhouse.com/Circulaire-Ceiling-Fan-50-950-CA-SN.html). Published Feb. 2, 2015.

Minka Aire F304L-BN/SL Gyro-42" Cage Free Ceiling Fan with Light Kit, Brushed Nickel/Silver Finish with Silver Blade Finish with Etched Opal Glass, first available Mar. 31, 2016, amazon.com, site visited Mar. 16, 2017, Copyright © 1996-2017, Available from Internet, <https://www.amazon.com/Minka-Aire-F304L-BN-SL-Gyro/dp/B01OONJRF5/ref=sr_1_1?ie=UTF8&qid=

* cited by examiner

Primary Examiner — Cathron C Brooks

Assistant Examiner — Sharon S Oum

(74) *Attorney, Agent, or Firm* — Seyfarth Shaw LLP

(57)

CLAIM

The ornamental design for a ceiling fan, as shown and described.

DESCRIPTION

FIG. 1 is a perspective view of a ceiling fan in accordance with my design, wherein a first side fan and a second side fan are in a first position;

FIG. 2 is a side elevation view of the ceiling fan in accordance with my design, wherein the first side fan and the second side fan are in a second position;

FIG. 3 is a side elevation view of the ceiling fan in accordance with my design, wherein the first side fan and the second side fan are in the first position;

FIG. 4 is a side elevation view of the ceiling fan in accordance with my design, wherein the first side fan is in a third position, and the second side fan is in the first position;

FIG. 5 is a bottom plan view of the ceiling fan in accordance with my design, wherein the first side fan and the second side fan are in the first position;

FIG. 6 is a top plan view of the ceiling fan in accordance with my design, wherein the first side fan and the second side fan are in the first position;

FIG. 7 is a front elevation view of the ceiling fan in accordance with my design, wherein the first side fan is in the first position; and,

FIG. 8 is a rear elevation view of the ceiling fan in accordance with my design, wherein the second side fan is in the third position.

The lighter and closely spaced lines in the drawings are surface shading and are not surface ornamentation.

The broken-lines illustrate portions of the article in which the design is embodied, but which form no part of the claimed design.

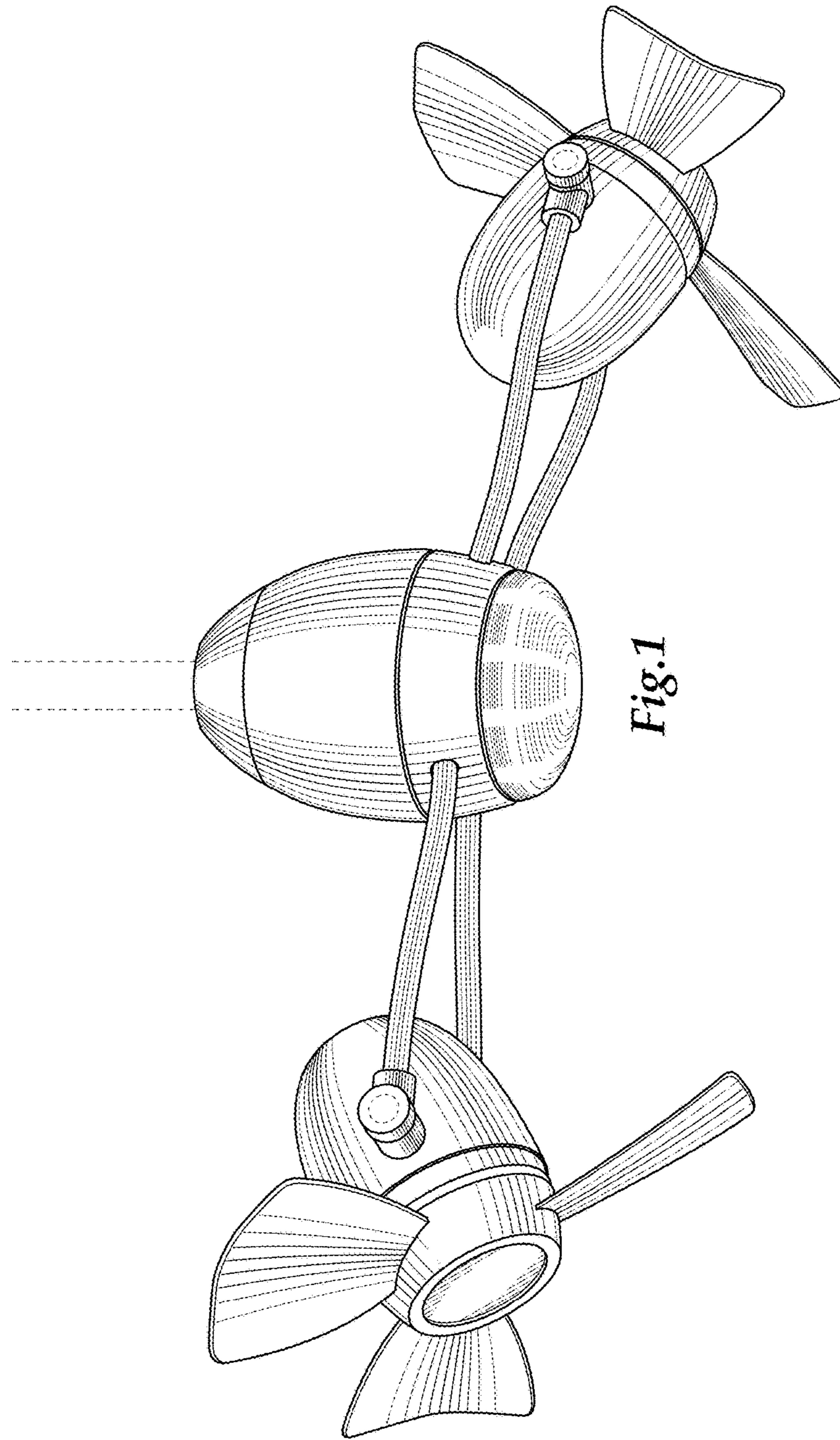
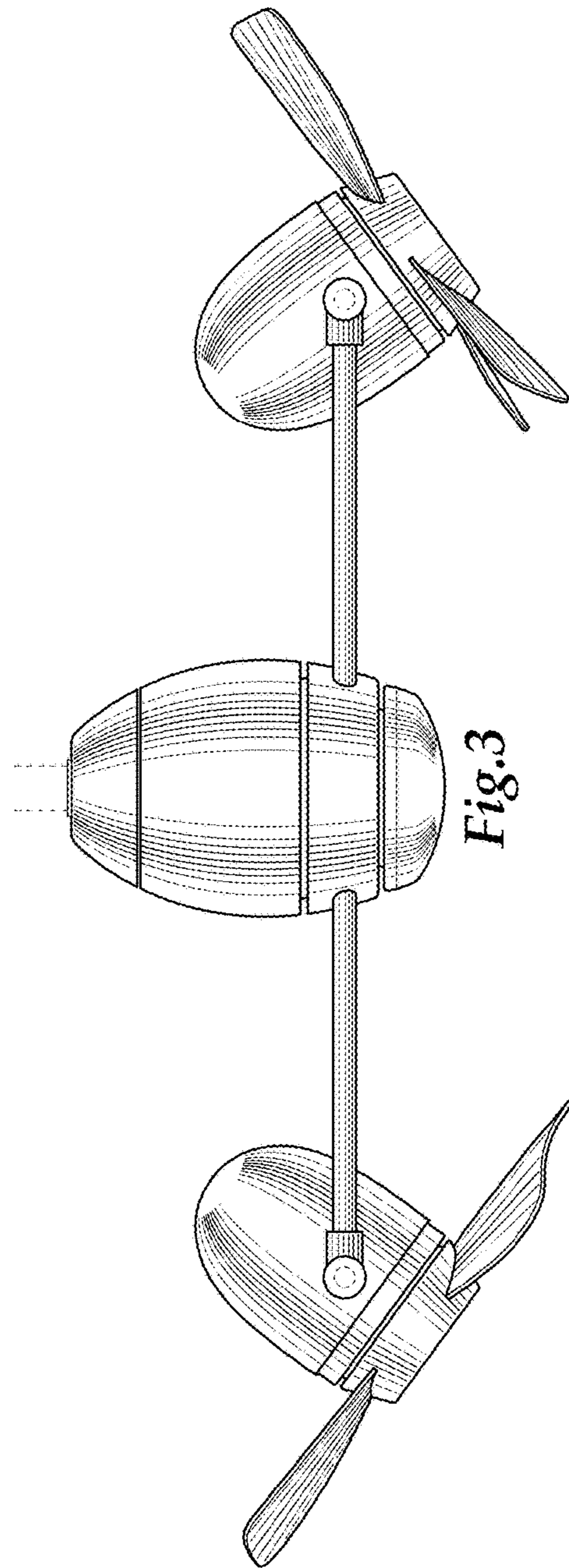
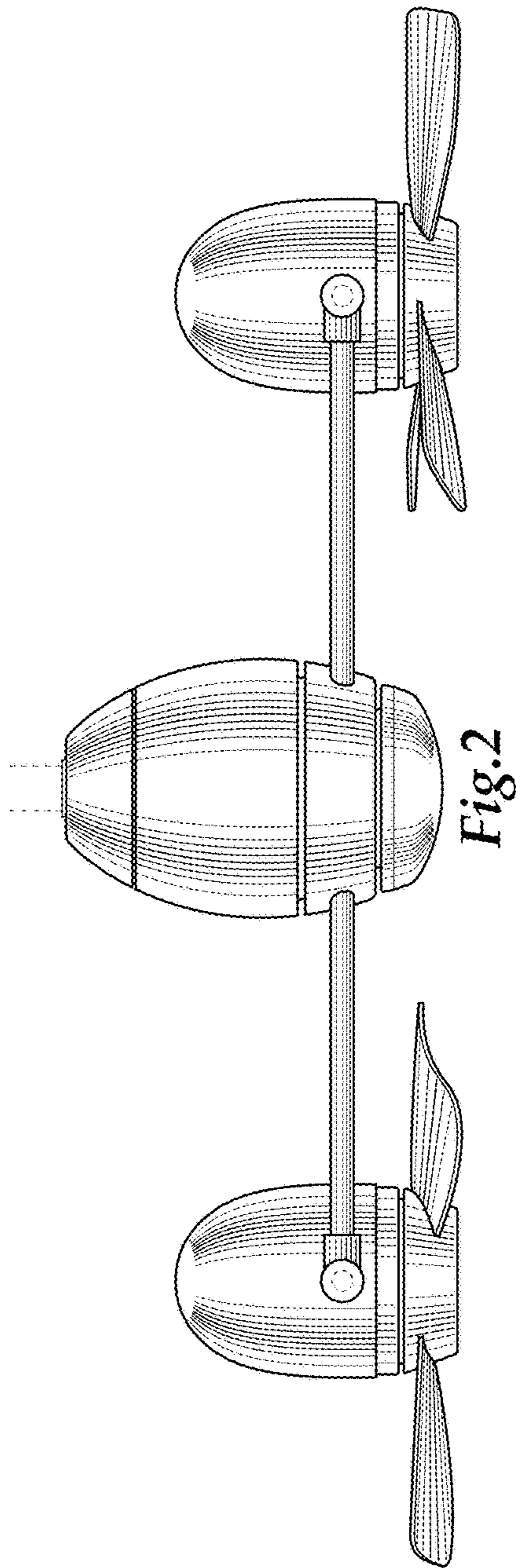


Fig. 1



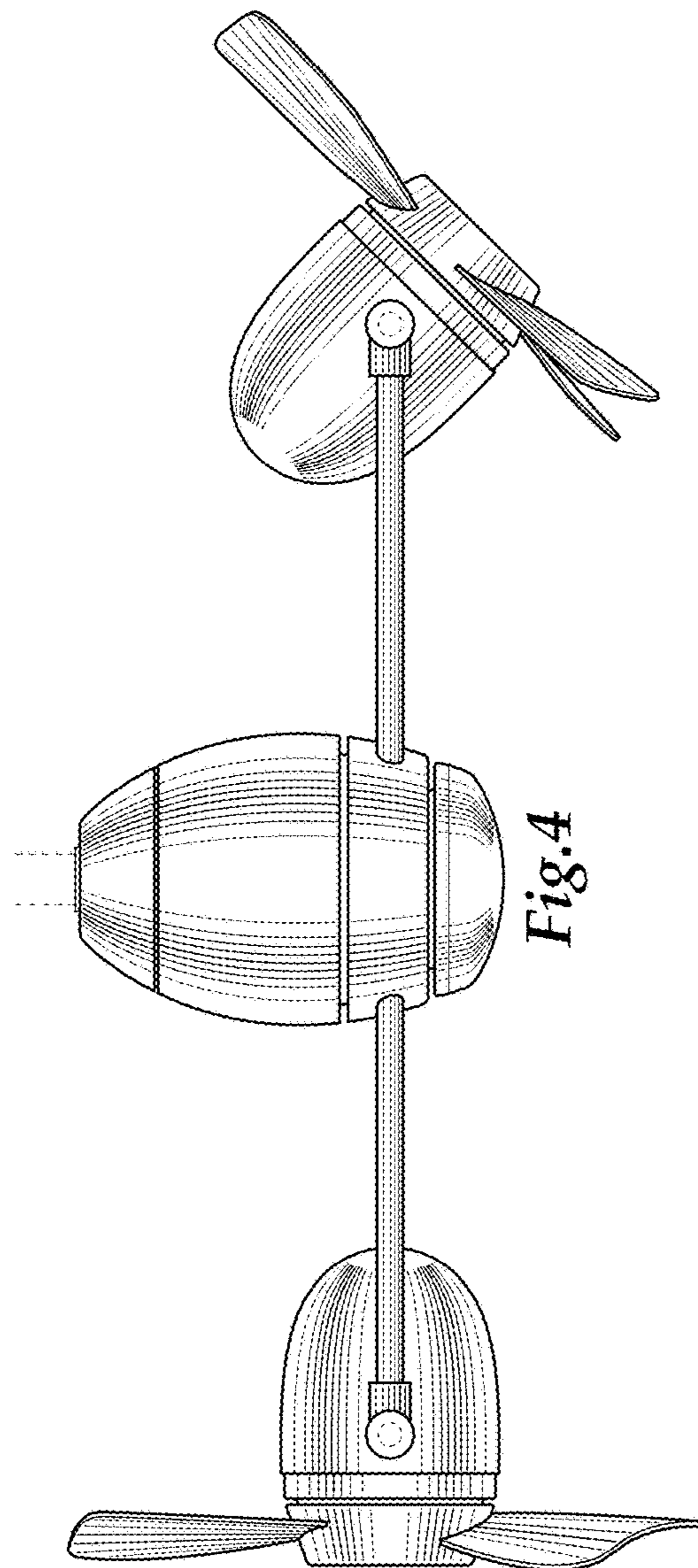


Fig. 4

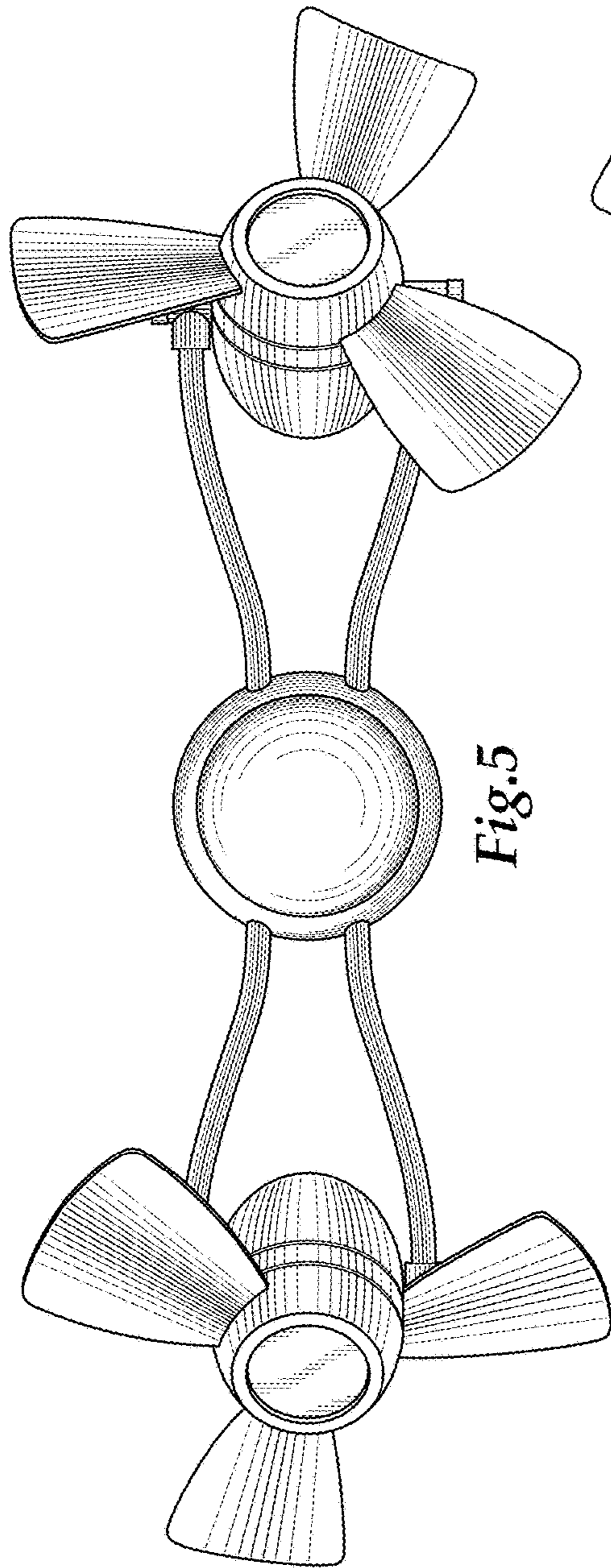


Fig. 5

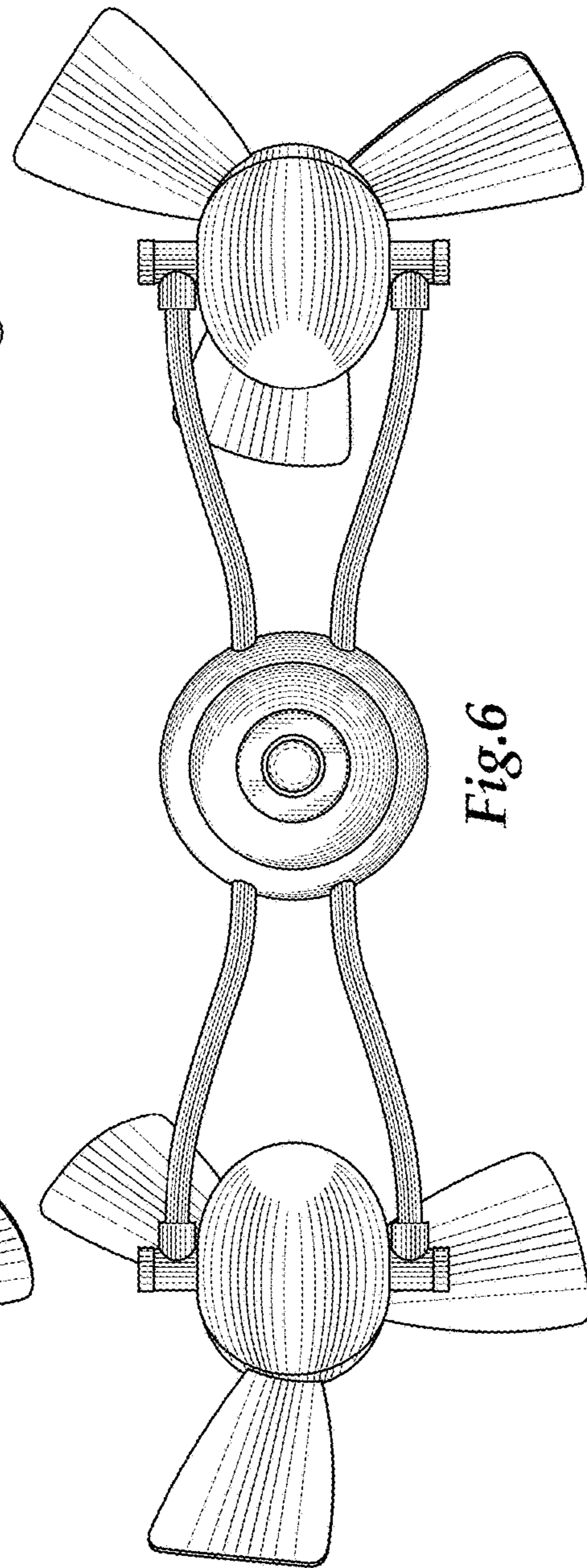


Fig. 6

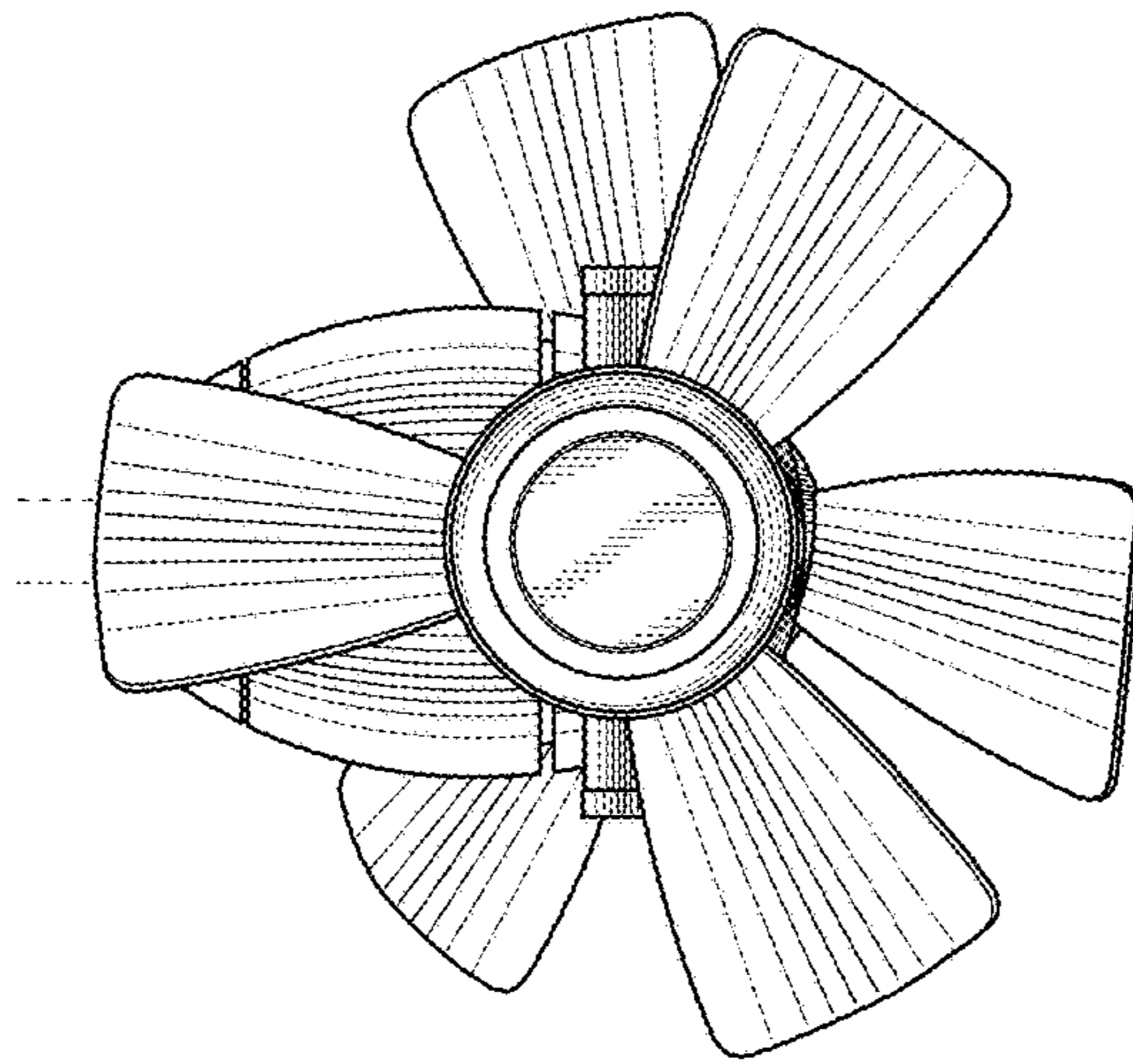


Fig.8

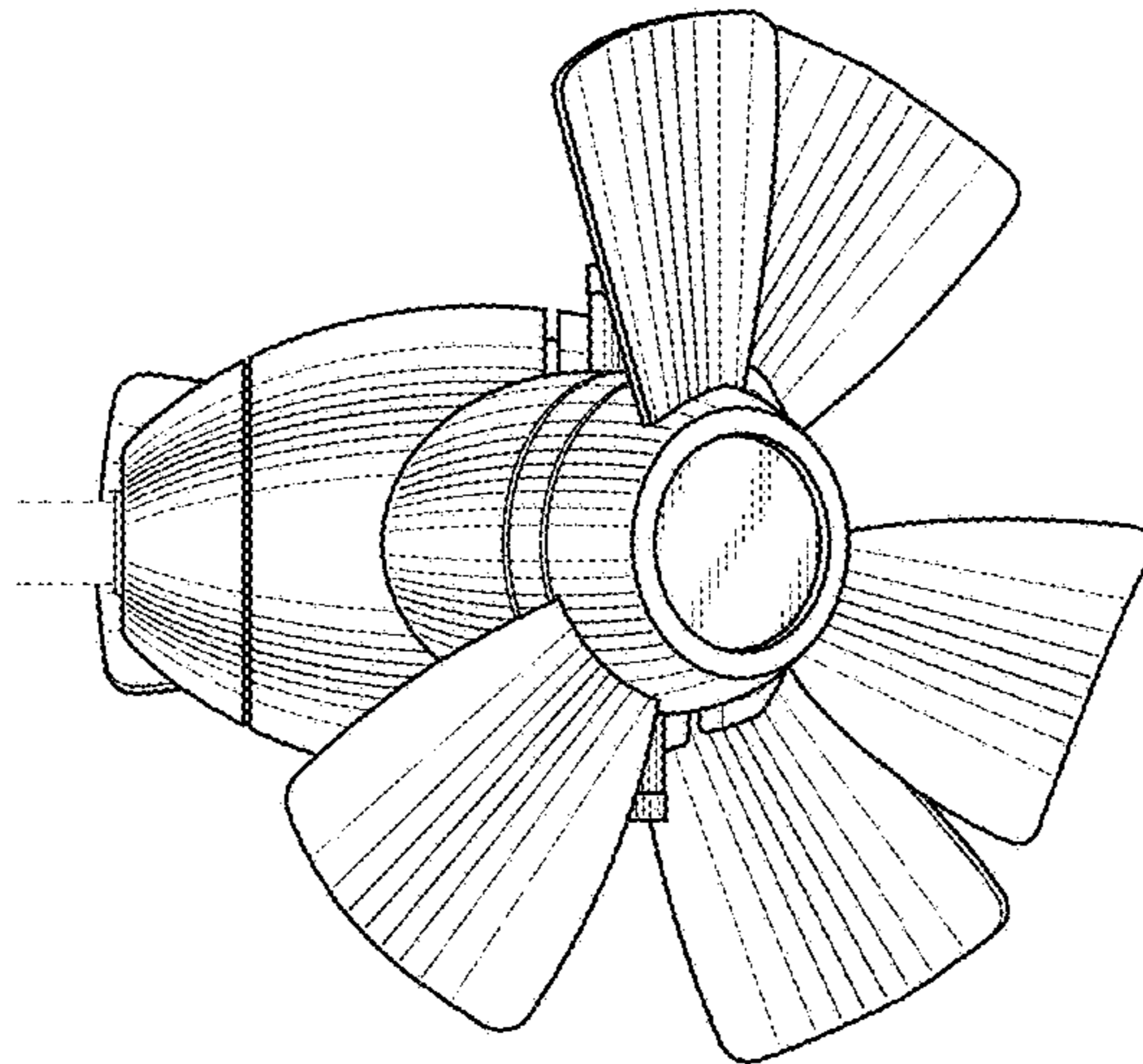


Fig.7