



US00D859628S

(12) **United States Design Patent**
Yang

(10) **Patent No.:** **US D859,628 S**

(45) **Date of Patent:** **** Sep. 10, 2019**

(54) **CEILING FAN**

(71) Applicant: **YOUNGO LIMITED**, Hong Kong
(CN)

(72) Inventor: **Helen Yang**, Rowland Heights, CA
(US)

(73) Assignee: **YOUNGO LIMITED**, Hong Kong
(CN)

(**) Term: **15 Years**

(21) Appl. No.: **29/633,473**

(22) Filed: **Jan. 14, 2018**

(51) **LOC (12) Cl.** **23-04**

(52) **U.S. Cl.**
USPC **D23/377**

(58) **Field of Classification Search**
USPC D23/370–385, 411–414; D26/59, 85, 86,
D26/89, 90
CPC F04D 25/088; F04D 29/38; F04D 29/384;
F04D 29/386; F21V 33/0096
See application file for complete search history.

(56) **References Cited**

U.S. PATENT DOCUMENTS

5,951,253	A	*	9/1999	Gajewski	F04D 25/088	416/205
D424,188	S	*	5/2000	Liu	D23/377	
D449,682	S	*	10/2001	Gajewski	D23/377	
D489,445	S	*	5/2004	Burns	D23/411	
D541,407	S	*	4/2007	Pickett	D23/411	
D556,930	S	*	12/2007	Ertze	D26/59	

D603,954	S	*	11/2009	Curtin	D23/411	
D603,955	S	*	11/2009	Patton	D23/411	
D702,337	S	*	4/2014	Wang	D23/385	
D704,822	S	*	5/2014	Wang	D23/411	
D710,489	S	*	8/2014	Shurtleff	D23/377	
D784,510	S	*	4/2017	Badarello	D23/385	
D808,002	S	*	1/2018	Holmes	D23/377	
D811,577	S	*	2/2018	Yang	D23/411	
D814,011	S	*	3/2018	McRoberts	D23/377	

* cited by examiner

Primary Examiner — Cathron C Brooks

Assistant Examiner — Sharon S Oum

(74) *Attorney, Agent, or Firm* — Pai Patent & Trademark
Law Firm; Chao-Chang David Pai

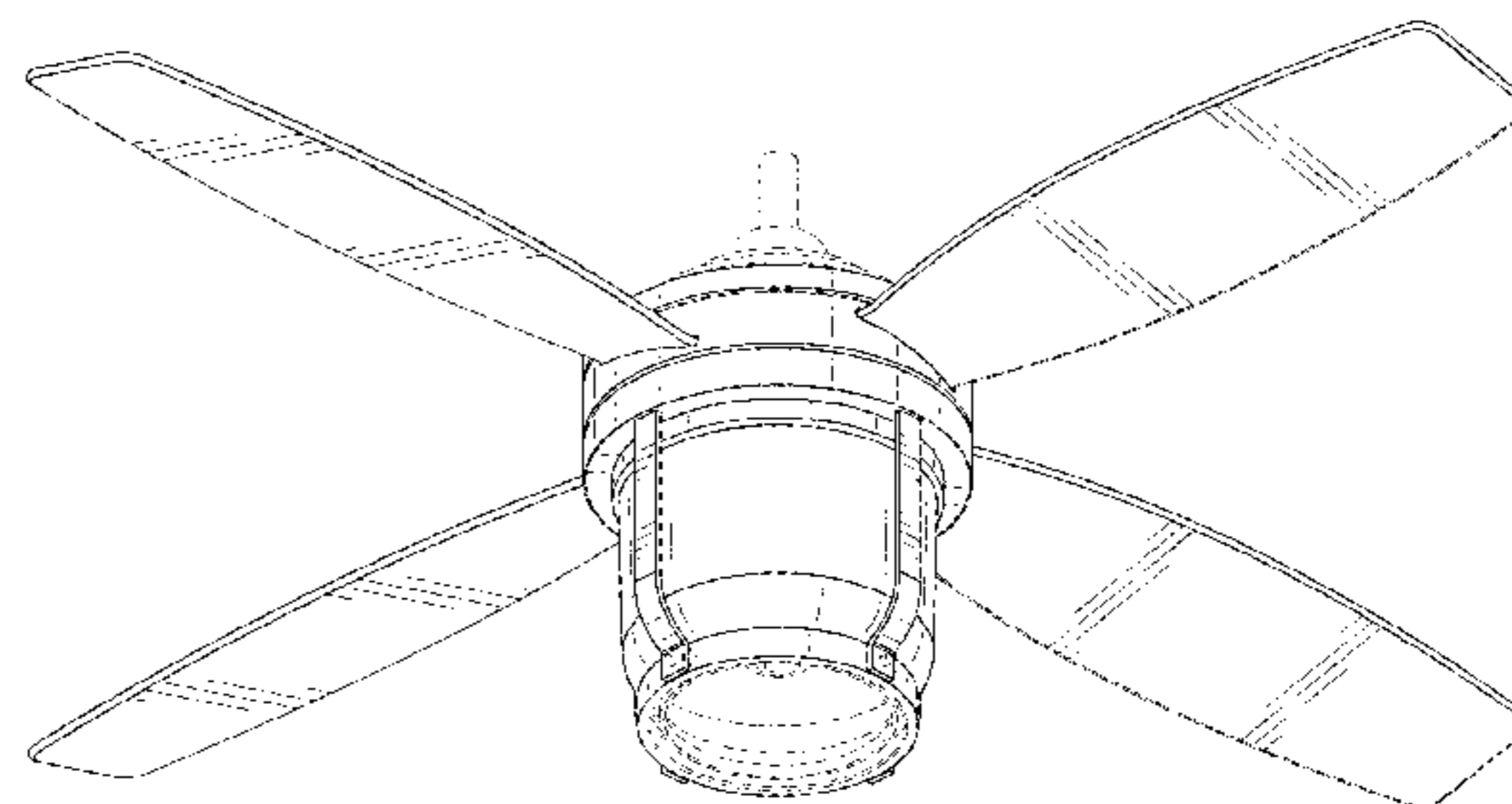
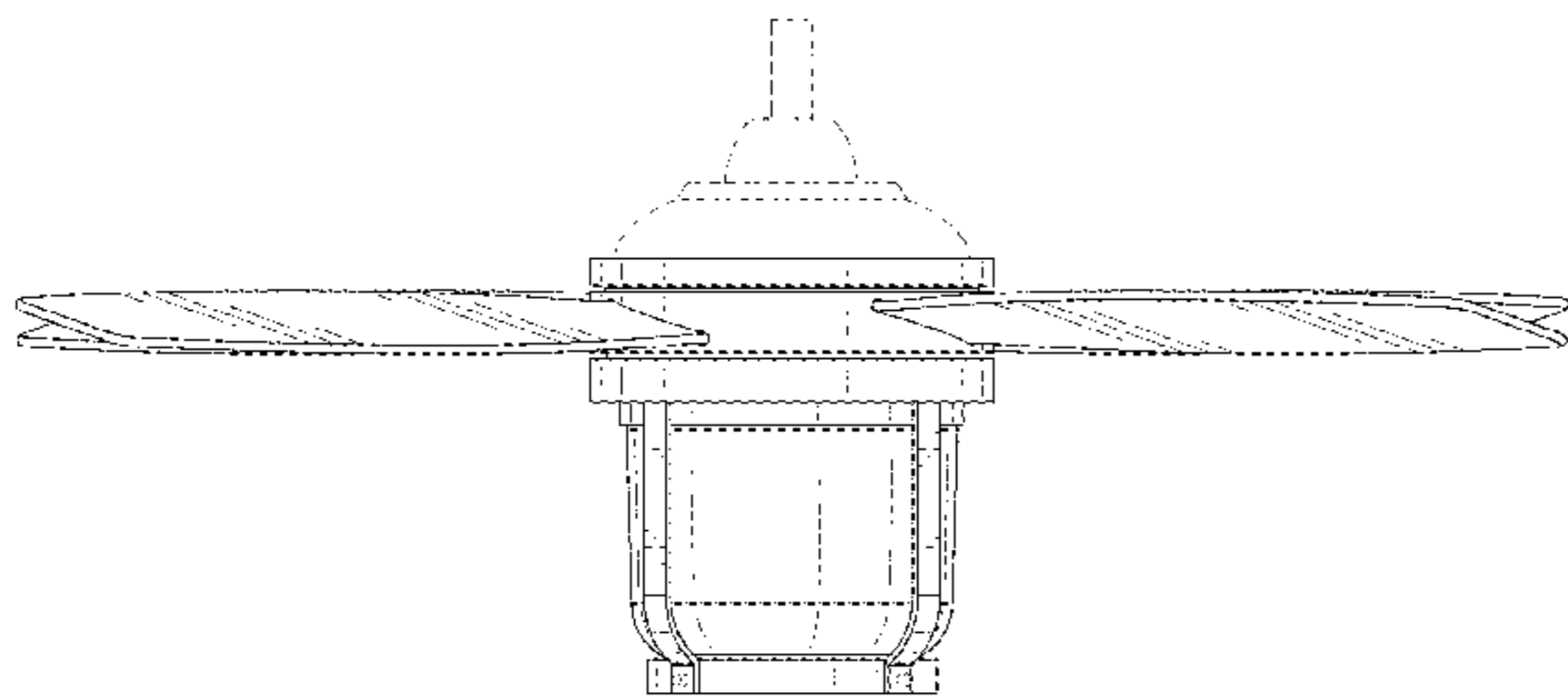
(57) **CLAIM**

The ornamental design for a ceiling fan, as shown and described.

DESCRIPTION

FIG. 1 is a front top perspective view of a ceiling fan showing my new design;
FIG. 2 is a front elevational view thereof;
FIG. 3 is a rear elevational view thereof;
FIG. 4 is a left side elevational view thereof;
FIG. 5 is a right side elevational view thereof;
FIG. 6 is a top plan view thereof;
FIG. 7 is a bottom plan view thereof; and,
FIG. 8 is a front bottom perspective view thereof.
The broken lines are for the purpose of illustrating environmental structure and form no part of the claimed design.

1 Claim, 6 Drawing Sheets



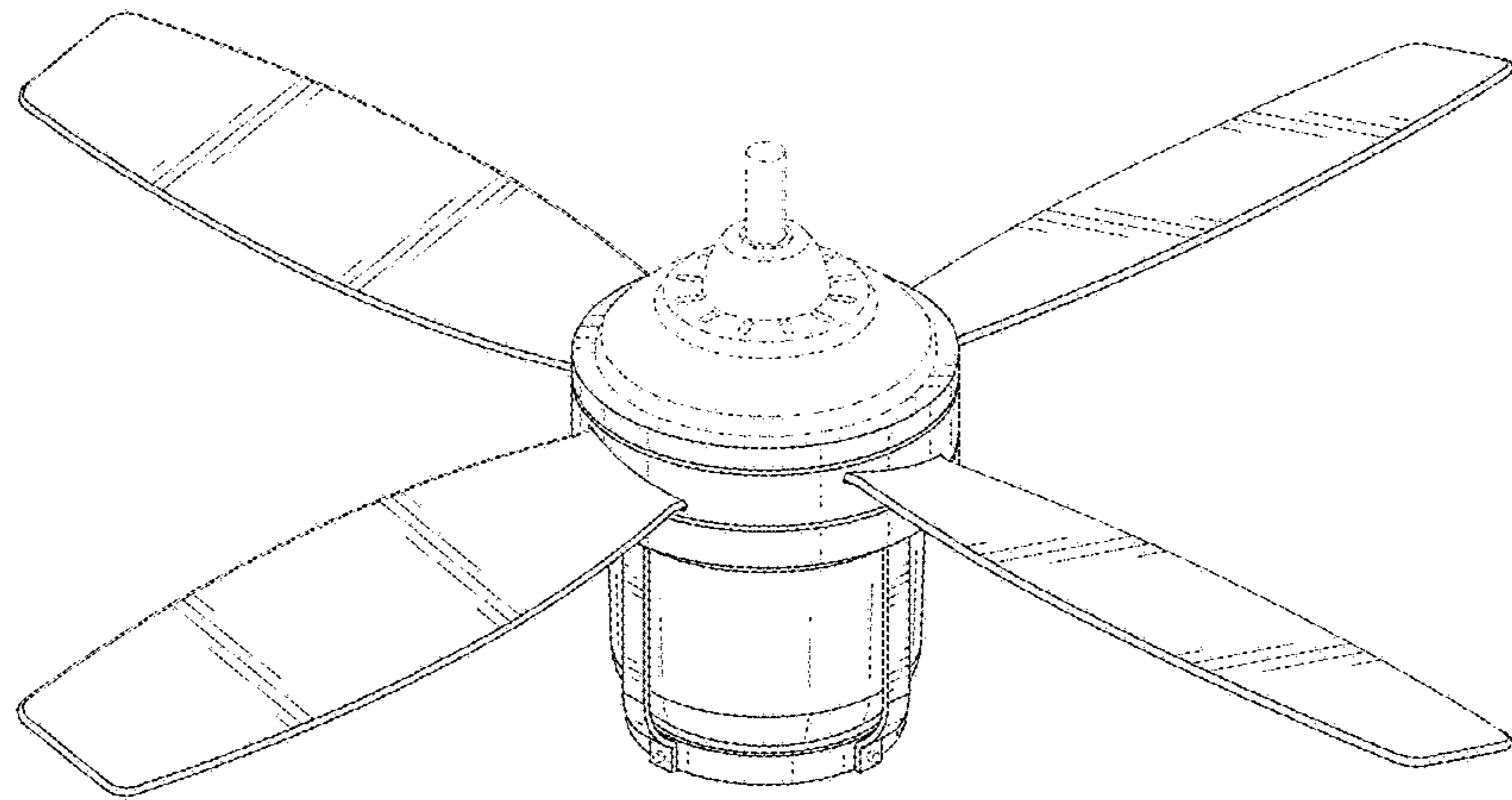


FIG. 1

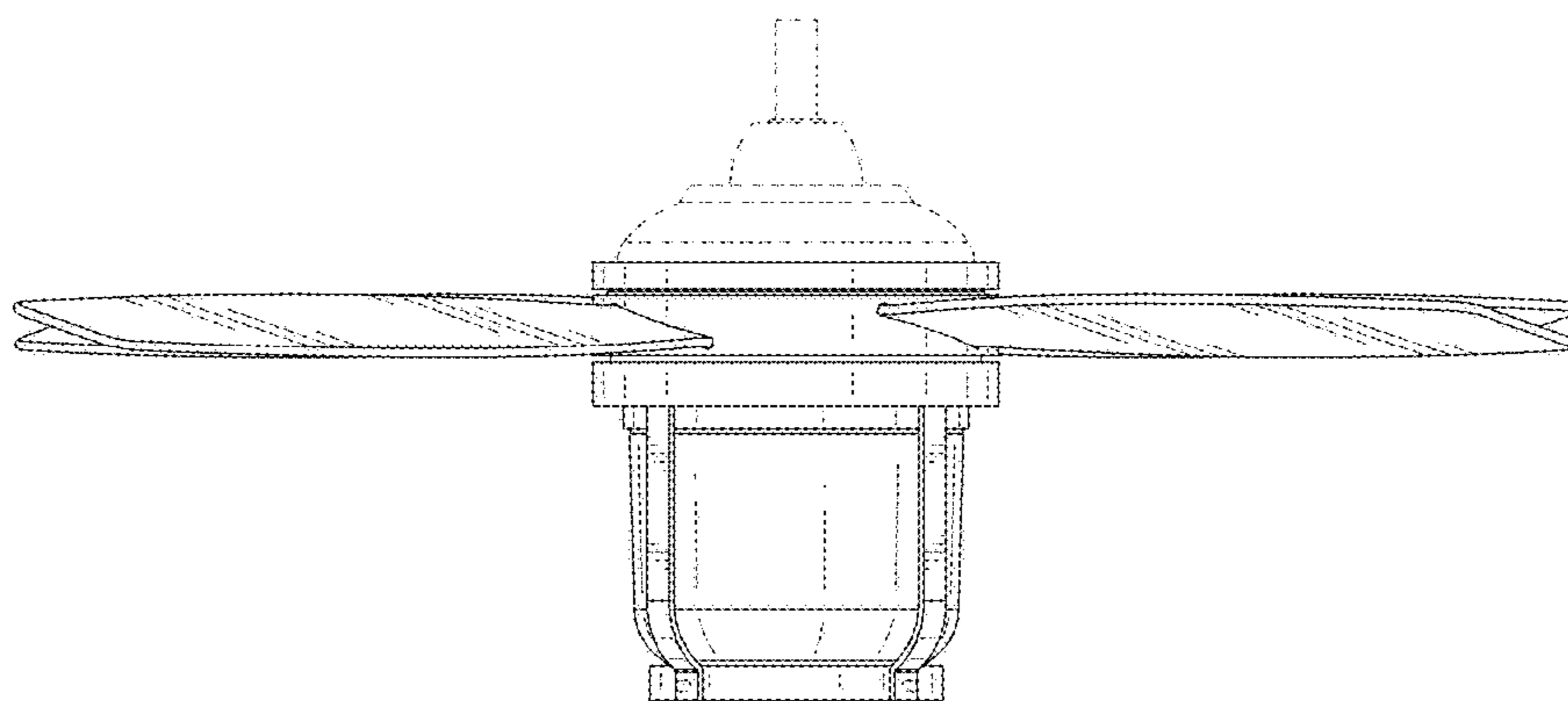


FIG. 2

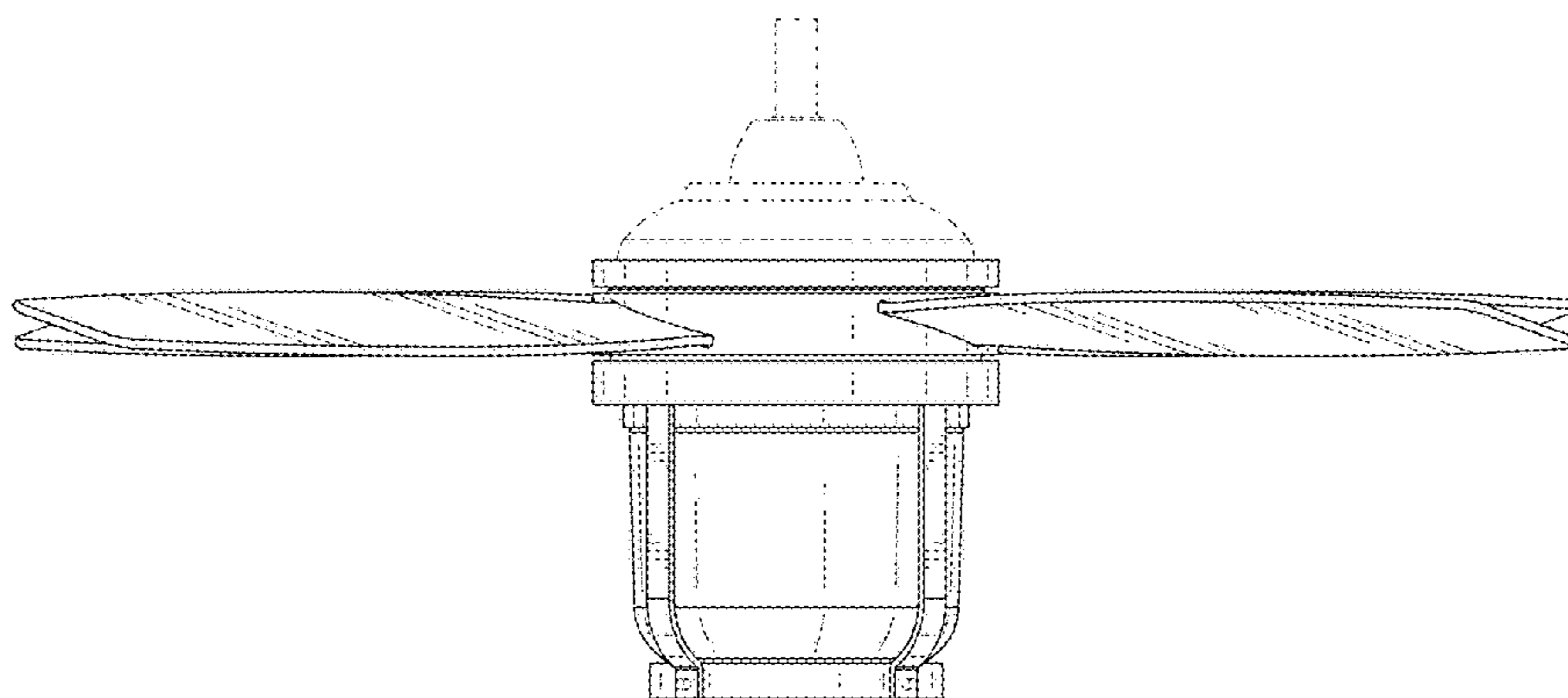


FIG. 3

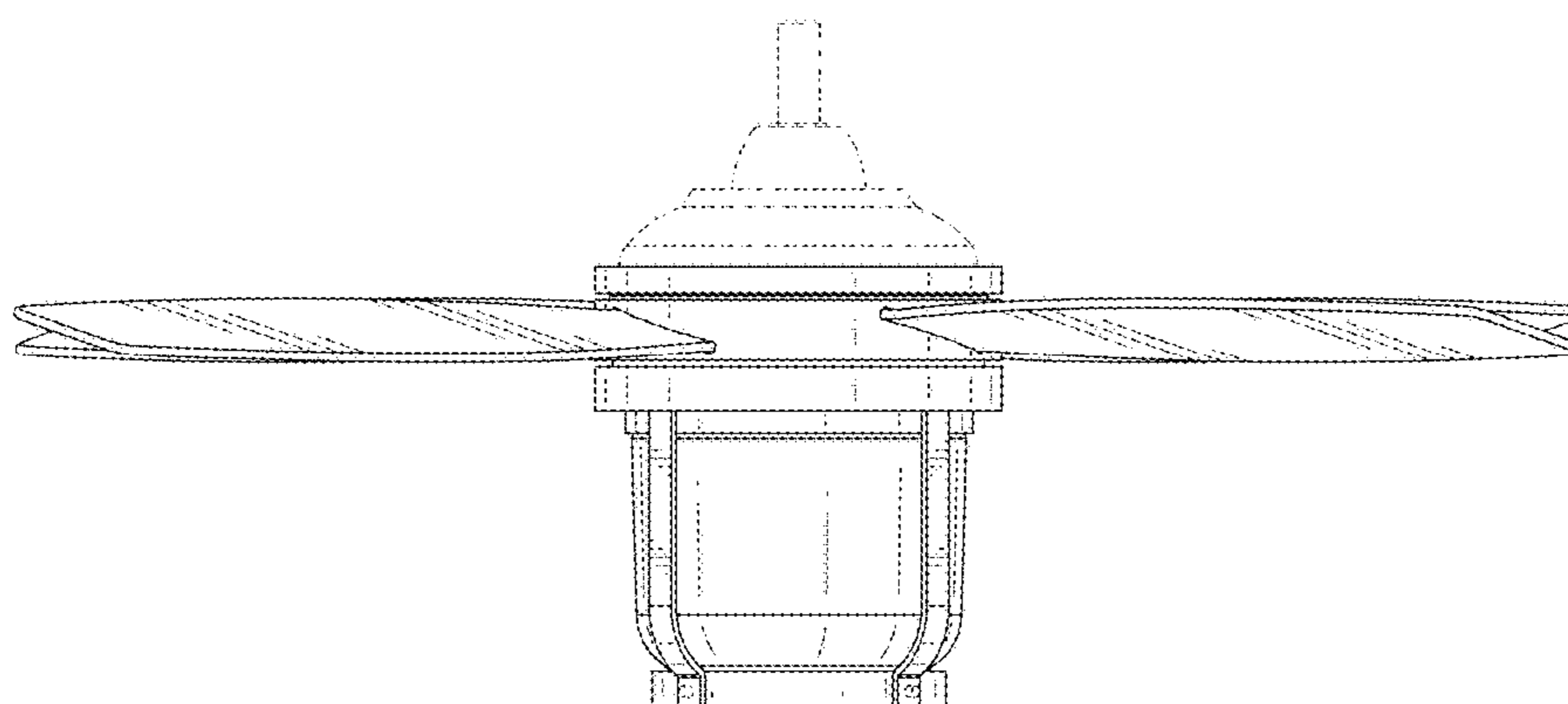


FIG. 4

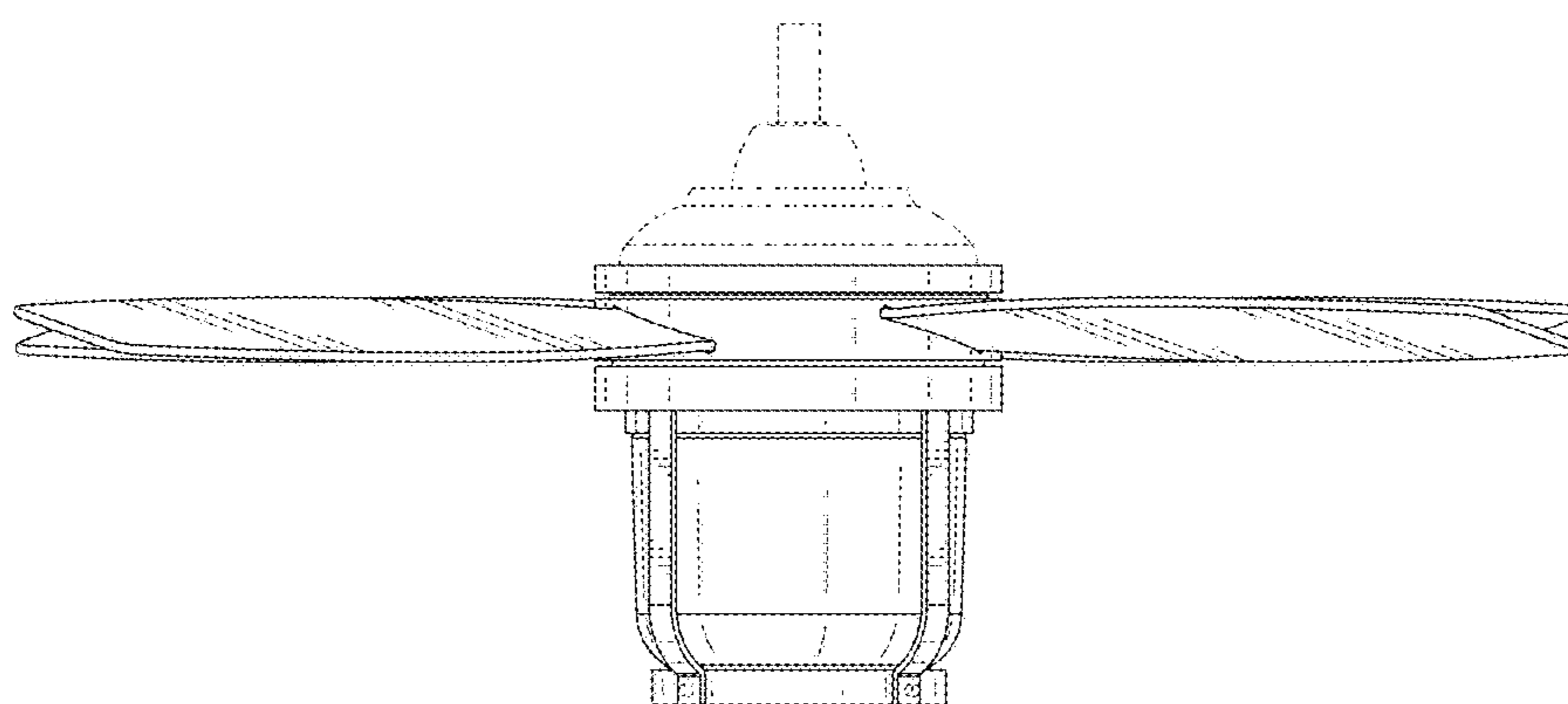


FIG. 5

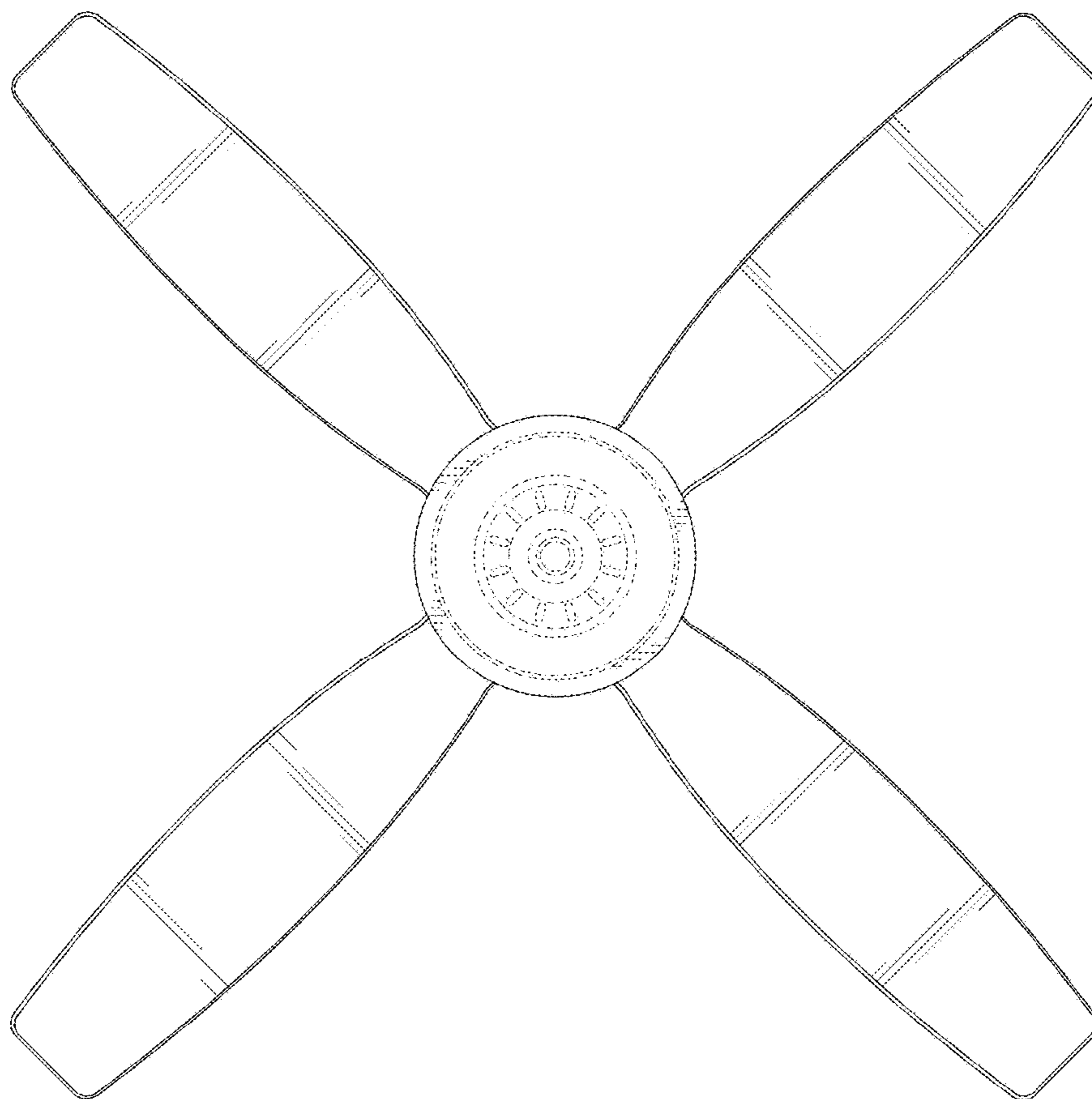


FIG. 6

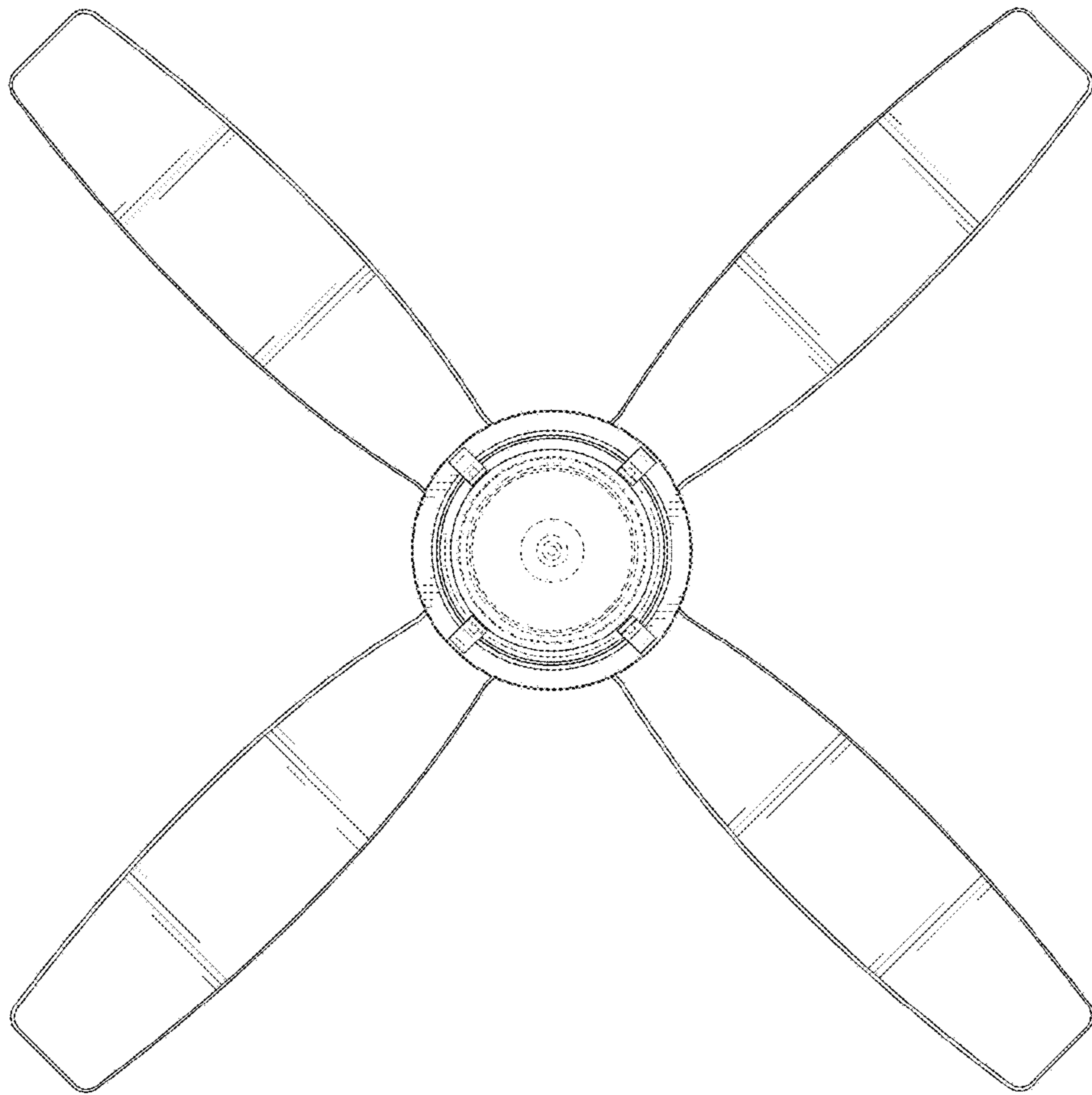


FIG. 7

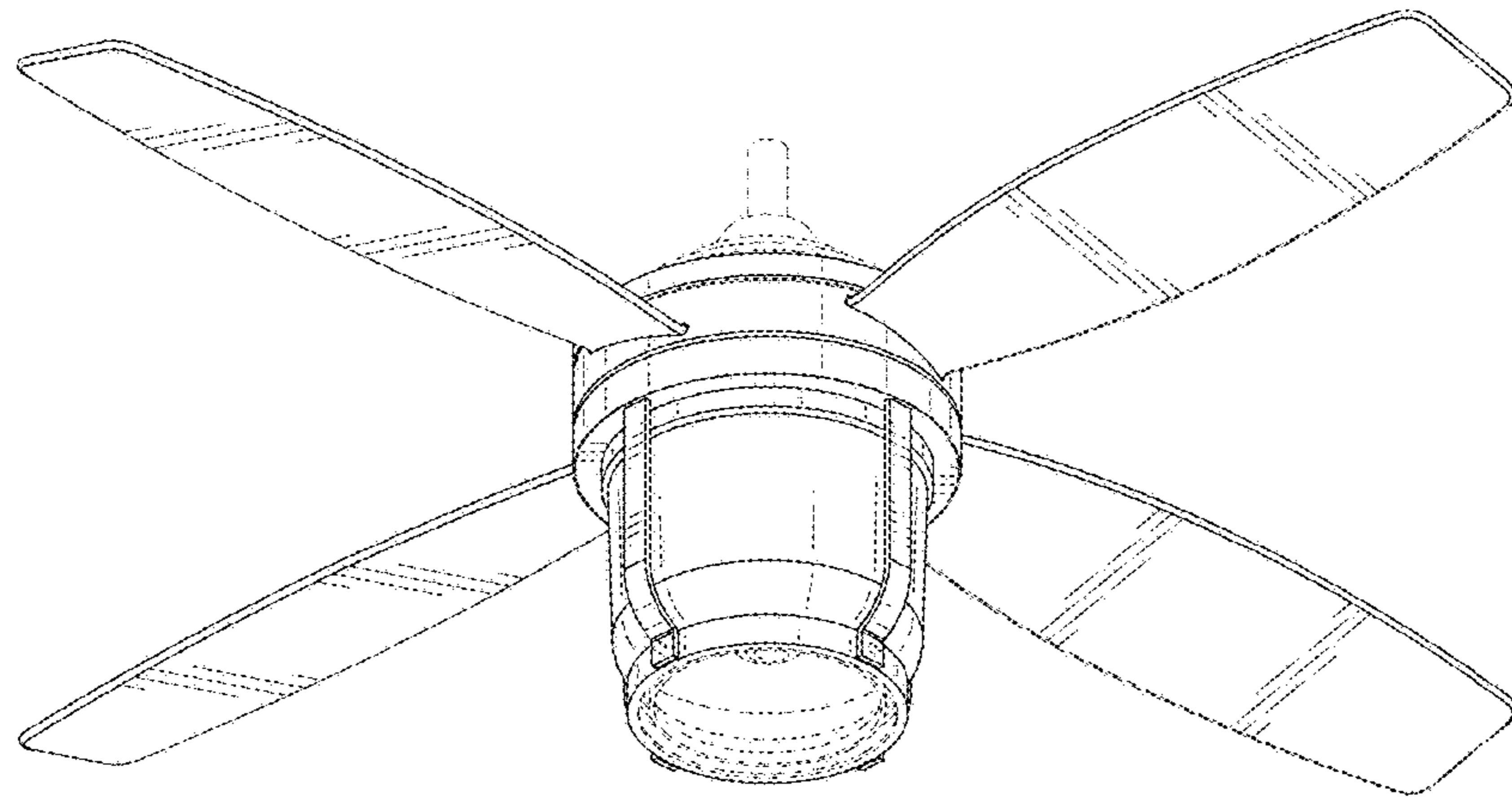


FIG. 8