



US00D859627S

(12) **United States Design Patent**
Ying

(10) **Patent No.:** **US D859,627 S**

(45) **Date of Patent:** **** Sep. 10, 2019**

(54) **BLADELESS FAN**

(71) Applicant: **Hui Ying**, Zhejiang (CN)

(72) Inventor: **Hui Ying**, Zhejiang (CN)

(**) Term: **15 Years**

(21) Appl. No.: **29/640,657**

(22) Filed: **Mar. 16, 2018**

(30) **Foreign Application Priority Data**

Sep. 17, 2017 (CN) 2017 3 0465025

(51) **LOC (12) Cl.** **23-04**

(52) **U.S. Cl.**
USPC **D23/370**

(58) **Field of Classification Search**
USPC D23/314, 317, 324, 328, 332-337, 342,
D23/351, 352, 355, 356, 359, 362, 364,
D23/366, 370-376, 378, 379, 381-385,
D23/411-414

CPC F04D 25/08; F04D 29/403; F04D 29/522
See application file for complete search history.

(56) **References Cited**

U.S. PATENT DOCUMENTS

D276,012 S * 10/1984 Westcott D6/301
D276,550 S * 11/1984 Kouno D23/382
D354,558 S * 1/1995 Marvin D23/332
D504,941 S * 5/2005 Blateri D23/335
D545,950 S * 7/2007 Ching D23/335
D555,776 S * 11/2007 Chiu D23/364
D586,491 S * 2/2009 Levine D26/63

D617,930 S * 6/2010 Chen D26/60
D617,931 S * 6/2010 Chen D26/60
D688,781 S * 8/2013 Vallinan D23/355
D803,382 S * 11/2017 Kim D23/378
D807,483 S * 1/2018 Combs D23/364
D817,473 S * 5/2018 Liu D23/382
2004/0025697 A1 * 2/2004 Endo B01D 46/0023
96/222

OTHER PUBLICATIONS

Opolar Bladeless Fan, date posted unknown, amazon.com, site visited Mar. 28, 2019, Copyright @ 1996-2019, Available from Internet, <https://www.amazon.com/OPOLAR-Bladeless-Circulator-Horizontal-Oscillating/dp/B07D5VZ6QV/ref=cm_cr_arp_d_product_top?ie=UTF8>.*

* cited by examiner

Primary Examiner — Karen E Kearney
Assistant Examiner — Sharon S Oum

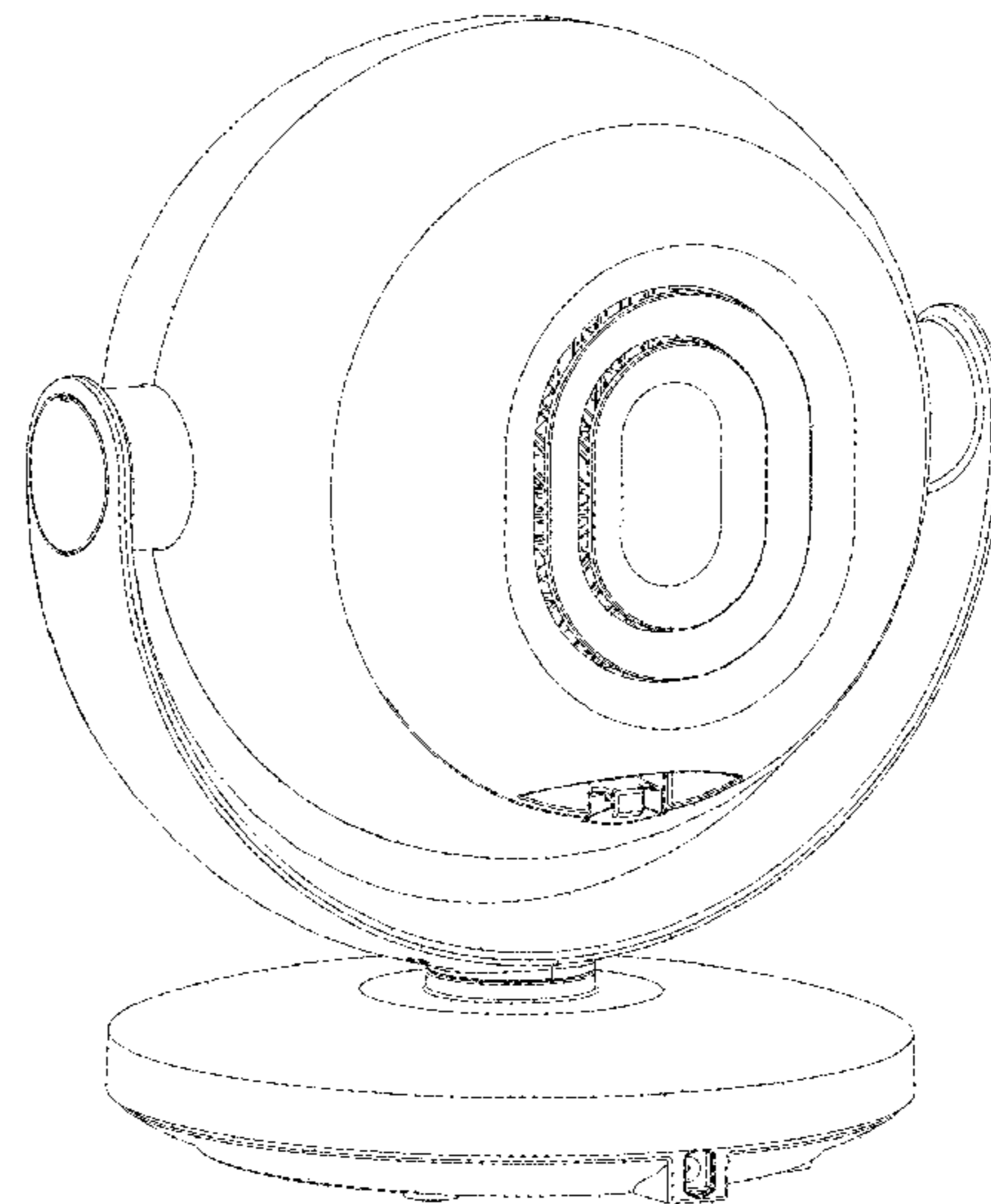
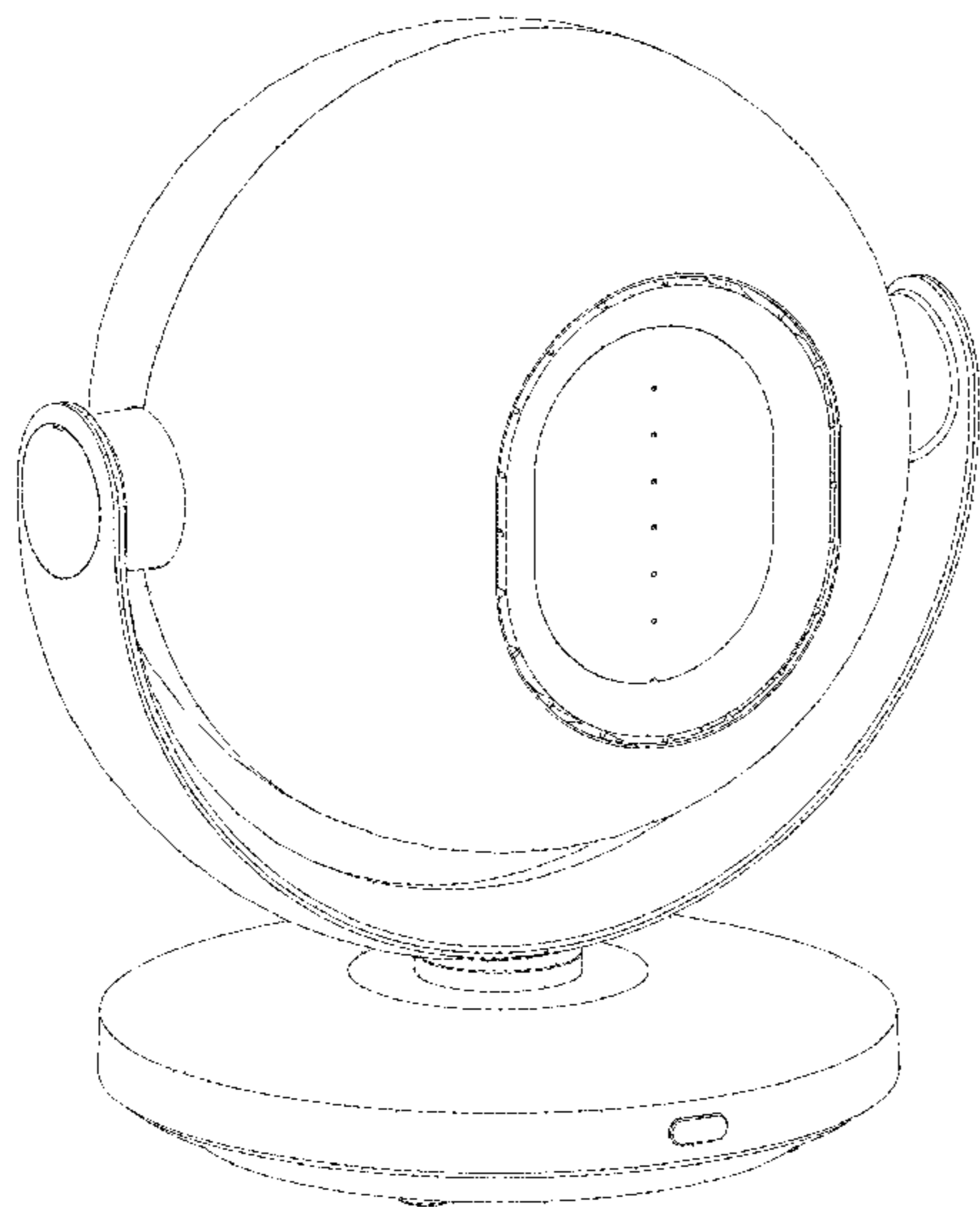
(57) **CLAIM**

The ornamental design for a bladeless fan, as shown.

DESCRIPTION

FIG. 1 is a front elevational view of a bladeless fan showing my new design;
FIG. 2 is a rear elevational view thereof;
FIG. 3 is a left side view thereof;
FIG. 4 is a right side view thereof;
FIG. 5 is a top plan view thereof;
FIG. 6 is a bottom plan view thereof;
FIG. 7 is a perspective view thereof; and,
FIG. 8 is another perspective view thereof.

1 Claim, 8 Drawing Sheets



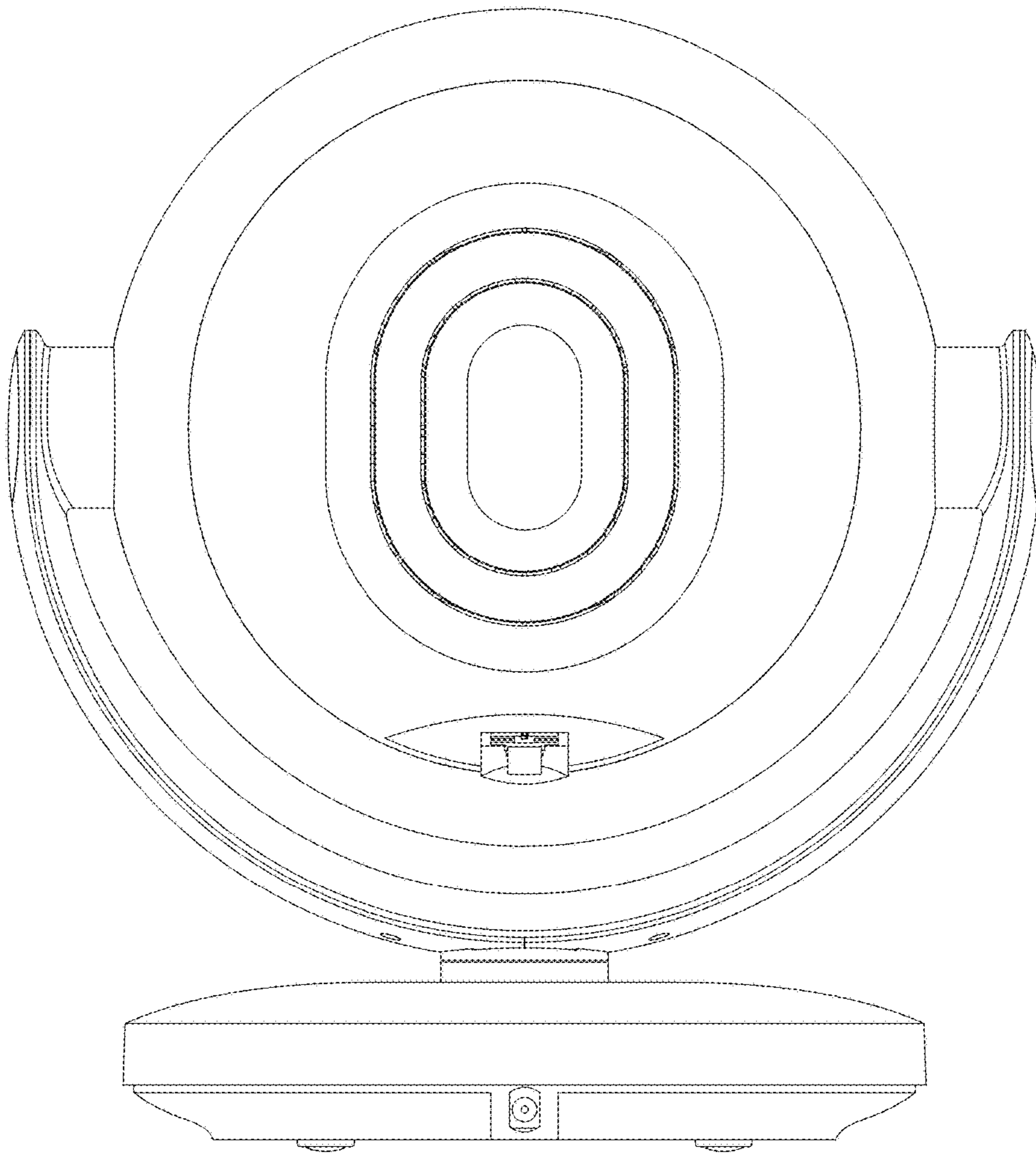


Fig. 1

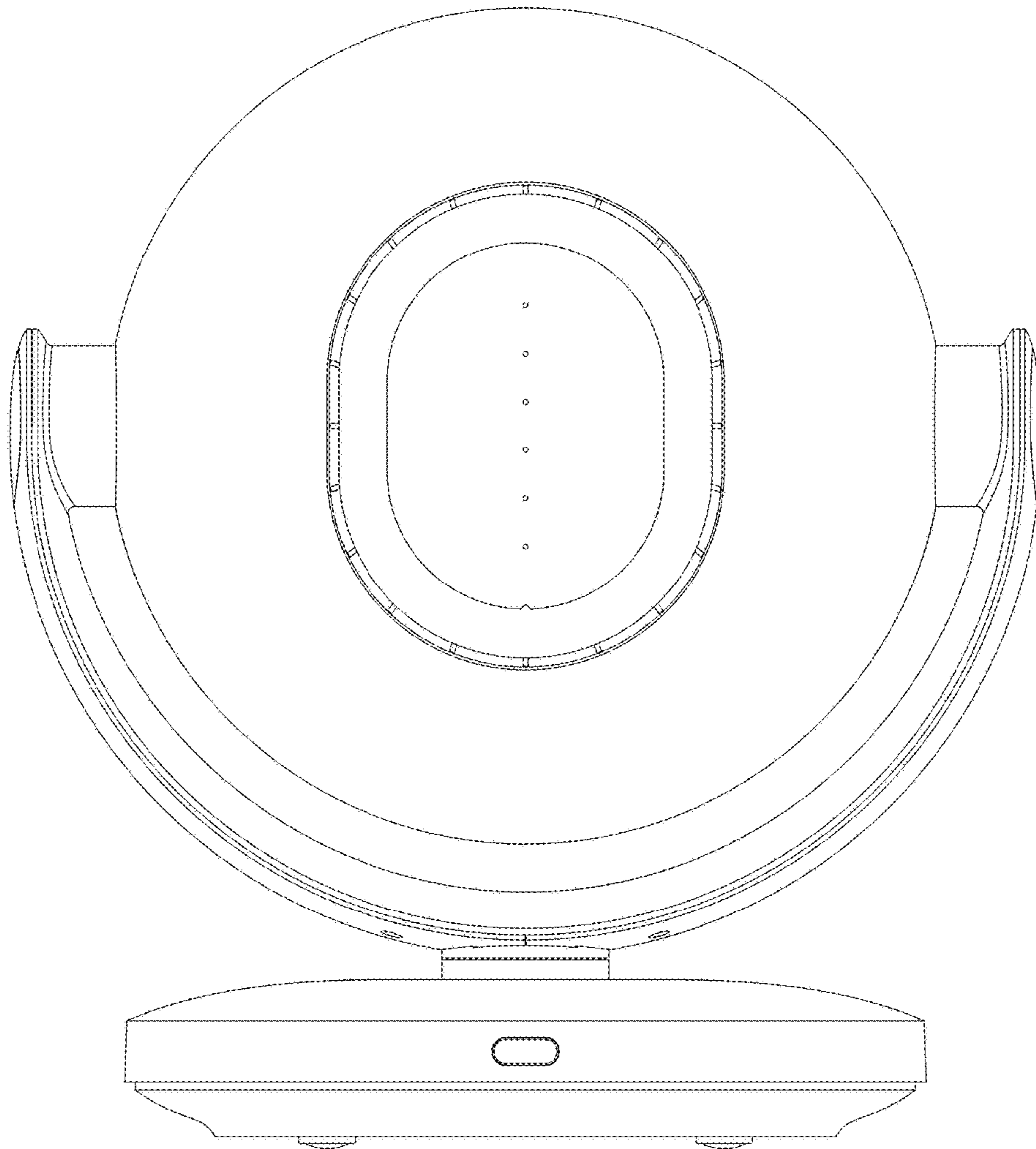


Fig. 2

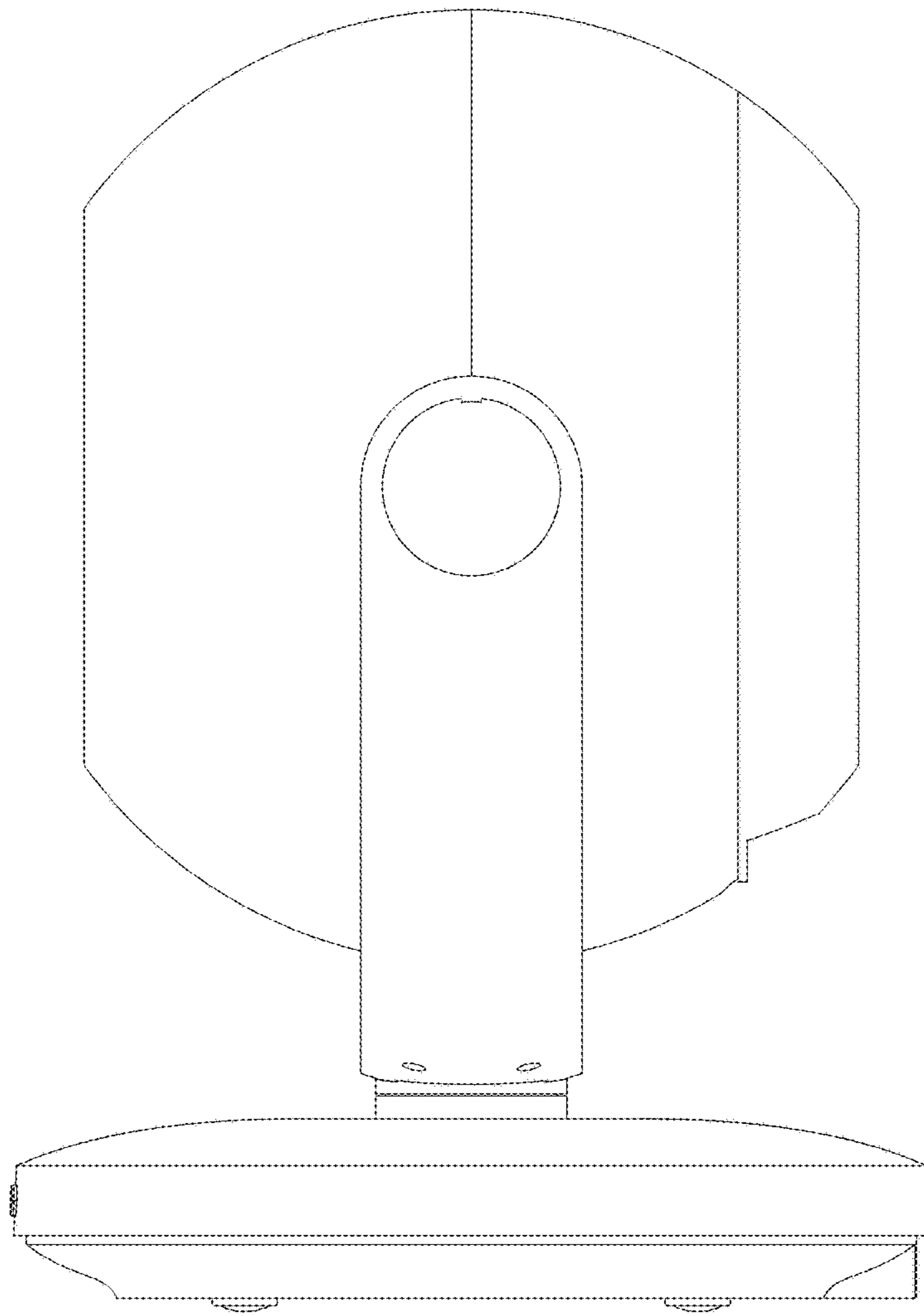


Fig. 3

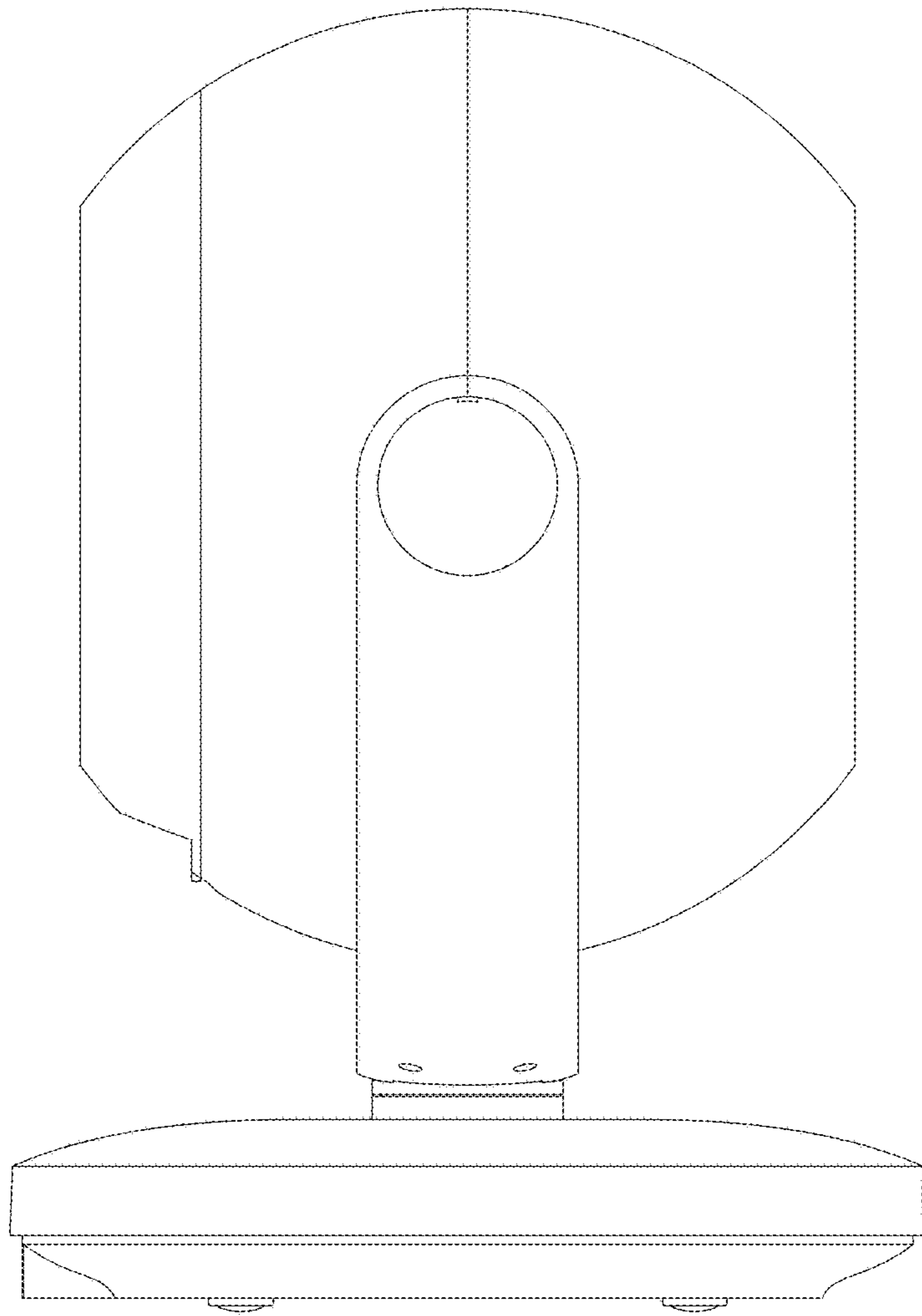


Fig. 4

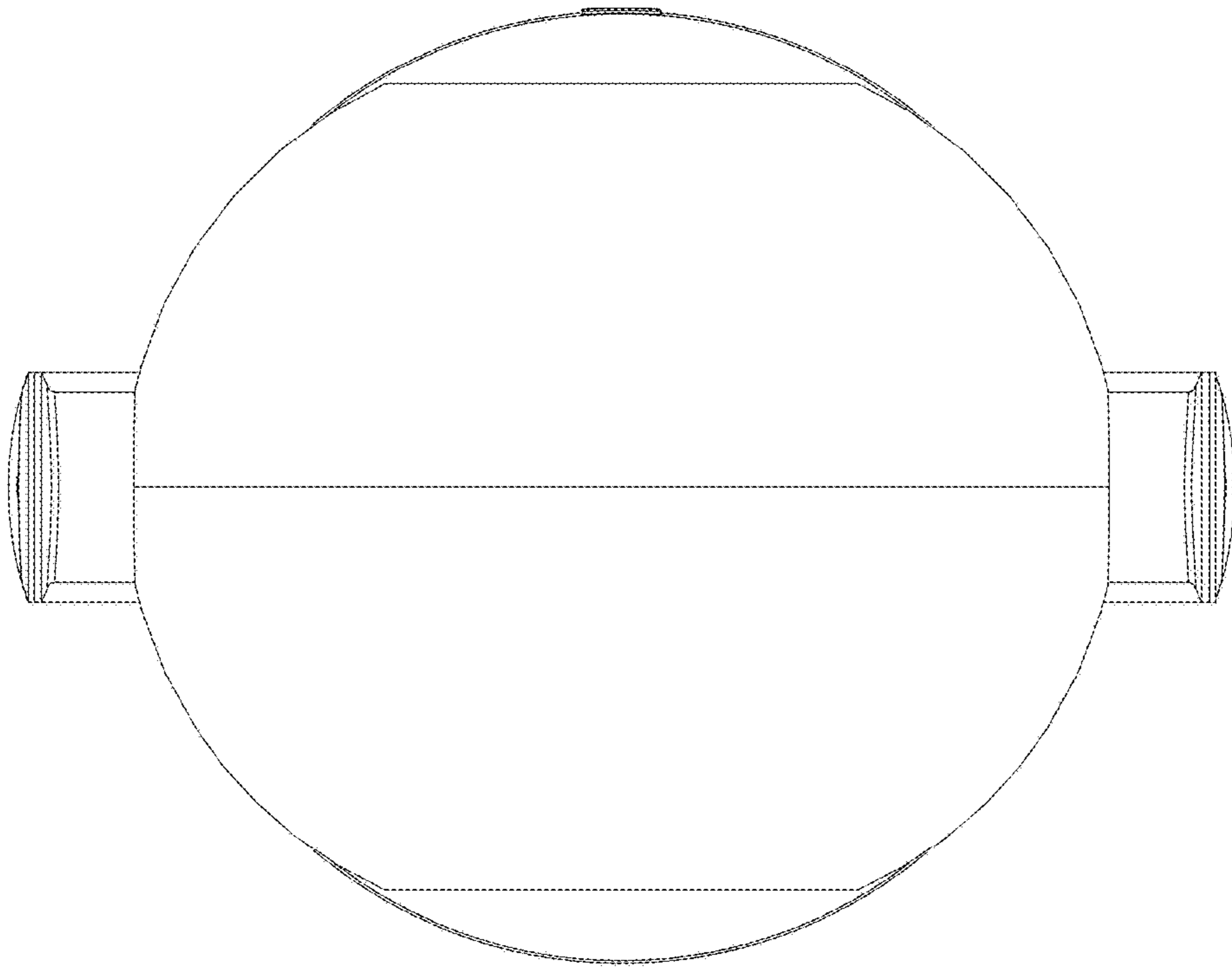


Fig. 5

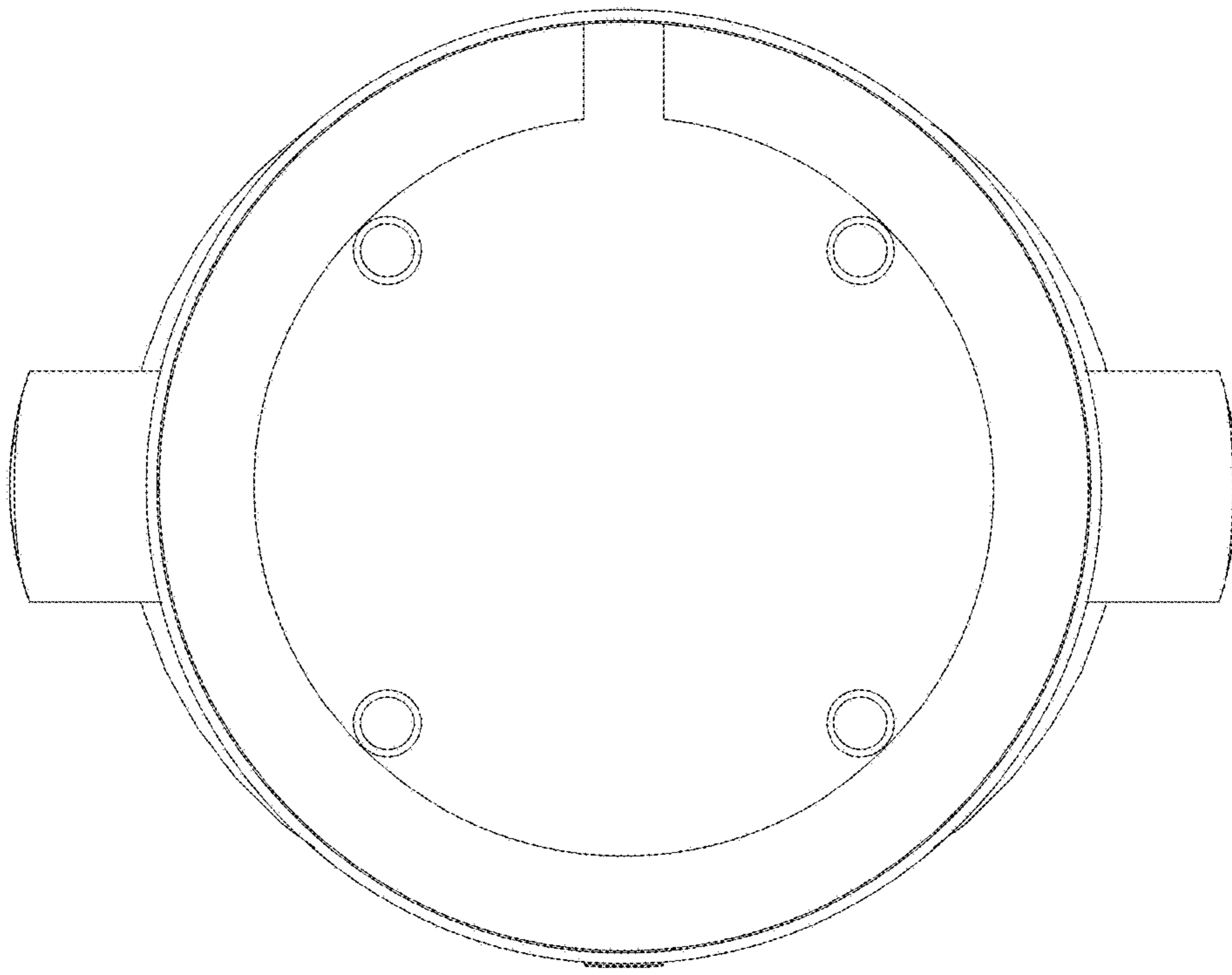


Fig. 6

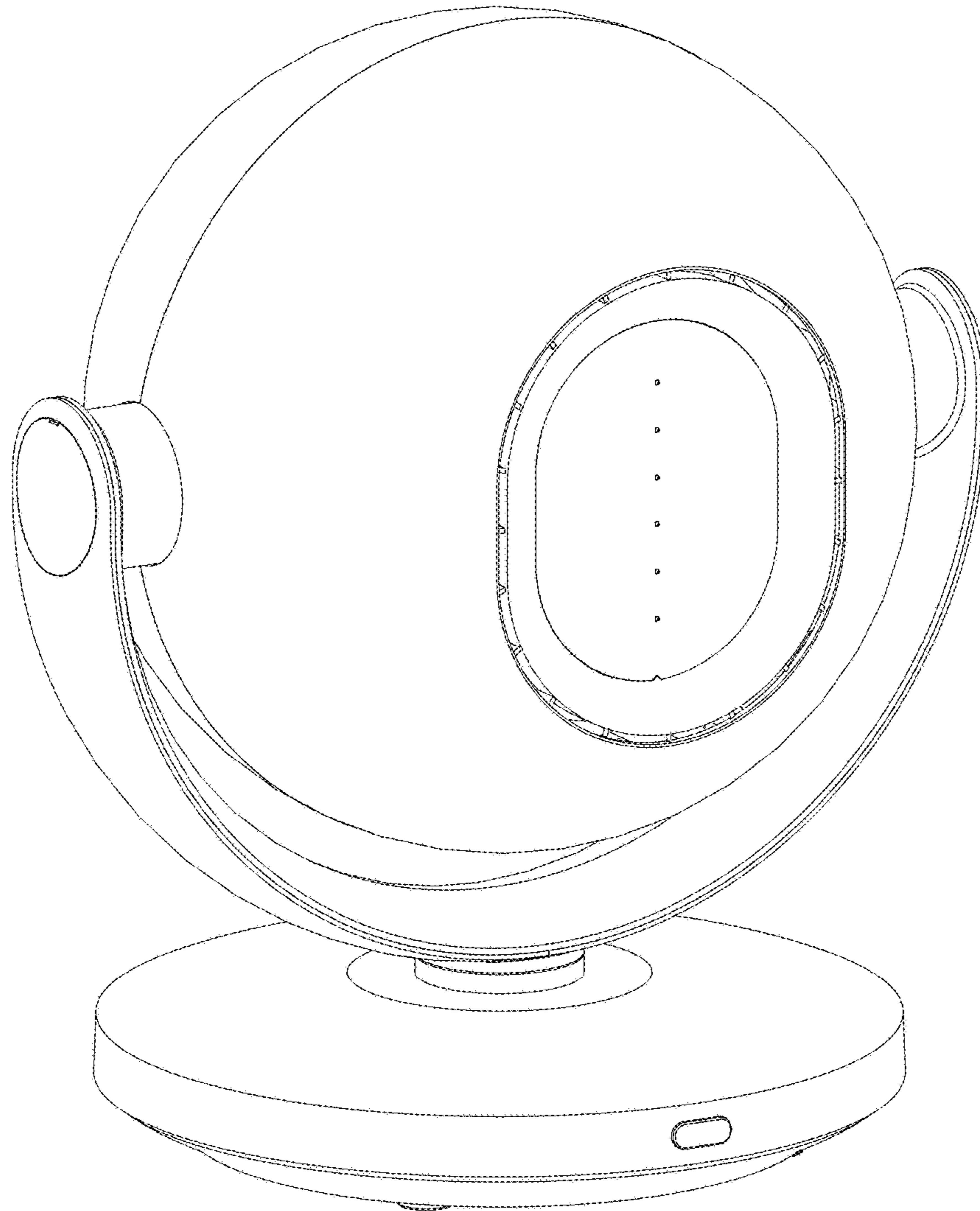


Fig. 7

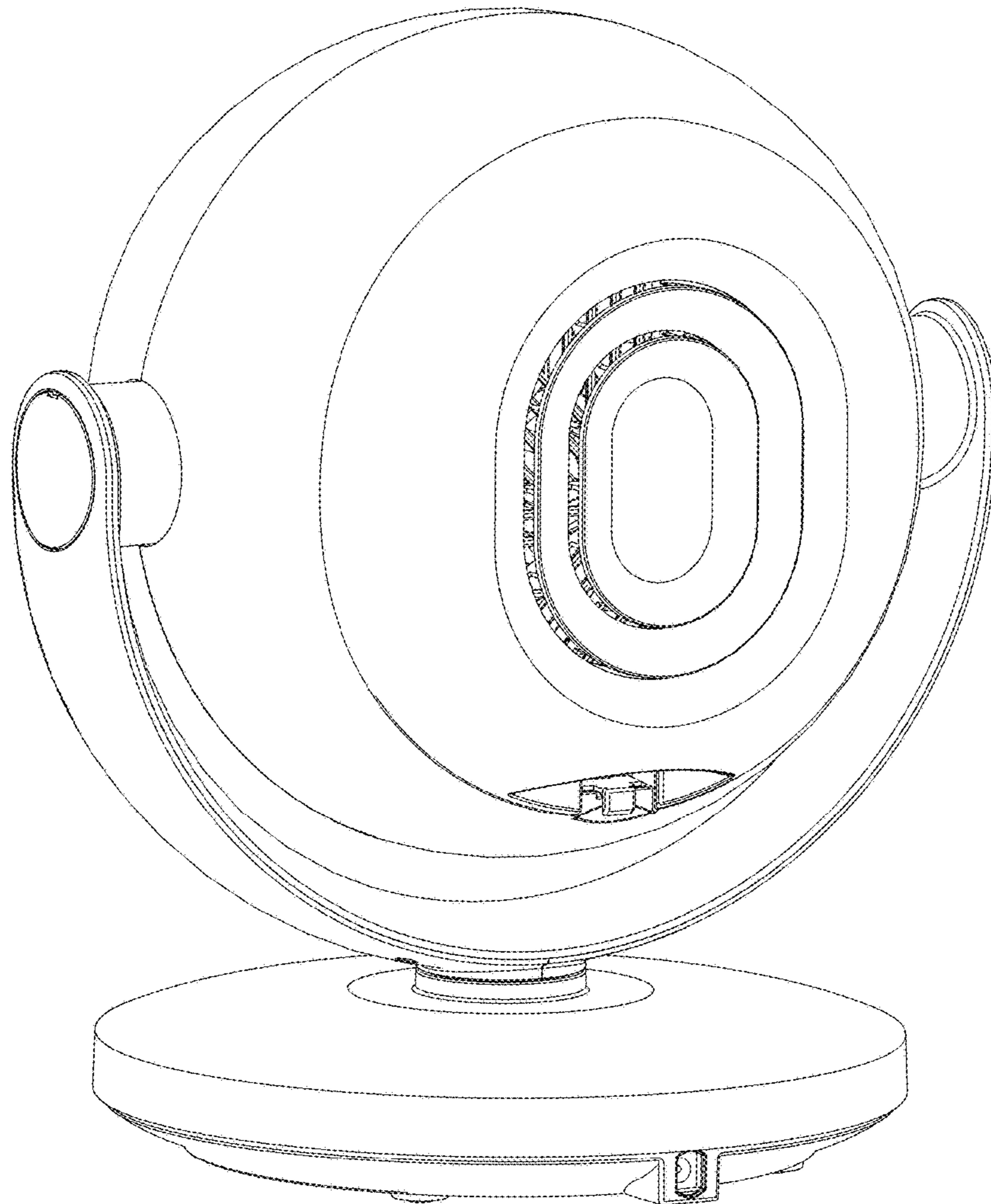


Fig. 8